



US00D662579S

(12) **United States Design Patent**
Blanking et al.

(10) **Patent No.:** **US D662,579 S**
(45) **Date of Patent:** **** Jun. 26, 2012**

(54) **PART OF SPRAY DISPENSER**

(75) Inventors: **Pär Robert Blanking**, West Yorkshire (GB); **Benjamin Nathan Diamant**, Leeds (GB); **Richard Nicholas Parker**, Newcastle Upon Tyne (GB); **James Edward Roe**, Glossop (GB); **Guy Richard Thompson**, Leeds (GB)

(73) Assignee: **Conopco Inc.**, Englewood Cliffs, NJ (US)

(**) Term: **14 Years**

(21) Appl. No.: **29/393,515**

(22) Filed: **Jun. 6, 2011**

(30) **Foreign Application Priority Data**

Dec. 14, 2010 (EM) 001249882-0001

(51) **LOC (9) Cl.** **28-99**

(52) **U.S. Cl.** **D23/366**

(58) **Field of Classification Search** D23/355-369;
D28/5, 6; 261/DIG. 17, DIG. 42, DIG. 65,
261/DIG. 88, DIG. 89; 392/386, 390, 394,
392/395; 239/34, 44, 53, 55, 56, 326; D26/14,
D26/17, 98; D9/682, 686
See application file for complete search history.

(56) **References Cited**

U.S. PATENT DOCUMENTS

D278,370 S * 4/1985 Speitel D28/91.1
D349,335 S * 8/1994 Wang D23/366
D468,033 S * 12/2002 Warren et al. D26/26
D486,387 S * 2/2004 Lee et al. D9/682
D512,493 S * 12/2005 Haranaka D23/355
D512,494 S * 12/2005 Haranaka D23/355

D519,624 S * 4/2006 Chen D23/368
D525,871 S * 8/2006 Zeh et al. D9/521
D532,695 S * 11/2006 Grant D9/521
7,400,822 B2 * 7/2008 Ruiz Ballesteros et al. .. 392/390
D597,865 S * 8/2009 Bernard et al. D10/52
D597,866 S * 8/2009 Bernard et al. D10/52
D598,531 S * 8/2009 Irvin D23/366
D607,983 S * 1/2010 Irvin D23/366
D611,584 S * 3/2010 Gruenbacher et al. D23/366
D611,585 S * 3/2010 Gruenbacher et al. D23/366
D622,400 S * 8/2010 Freeman et al. D24/186
D643,103 S * 8/2011 Bilko et al. D23/366
D644,725 S * 9/2011 Kim D23/366
D647,193 S * 10/2011 Kim D23/366
D656,230 S * 3/2012 Robinson et al. D23/363

* cited by examiner

Primary Examiner — Sandra Snapp

(74) *Attorney, Agent, or Firm* — Karen E. Klumas

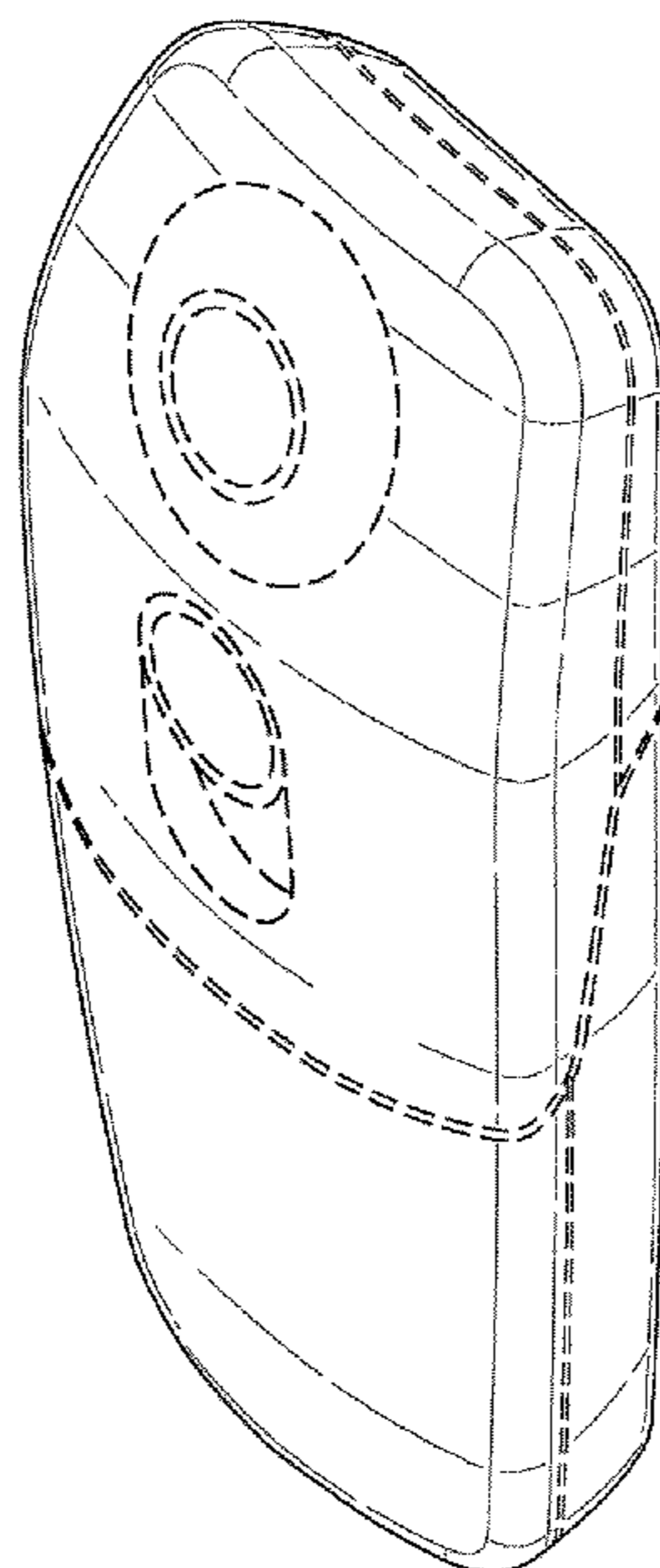
(57) **CLAIM**

The ornamental design for a part of spray dispenser, as shown and described.

DESCRIPTION

FIG. 1 is a front perspective view from above and one side of our part of spray dispenser;
FIG. 2 is a front elevational view thereof;
FIG. 3 is a rear elevational view thereof;
FIG. 4 is a side elevational view thereof;
FIG. 5 is an elevational view of the other side thereof;
FIG. 6 is a top plan view thereof; and,
FIG. 7 is a bottom plan view thereof.
The broken lines represent the boundaries of the claimed design while any other broken lines are directed to environment and are for illustrative purposes only and form no part of the claimed design.

1 Claim, 3 Drawing Sheets



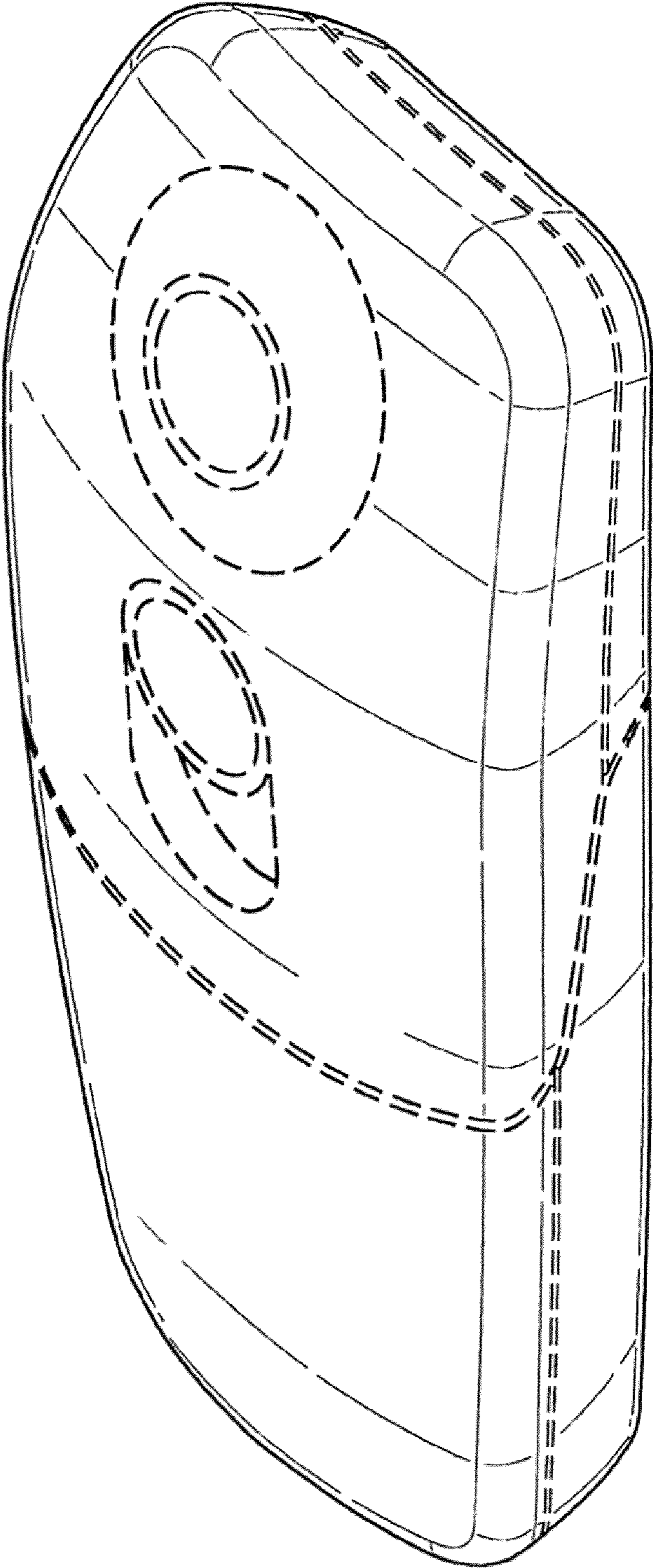


Fig. 1.

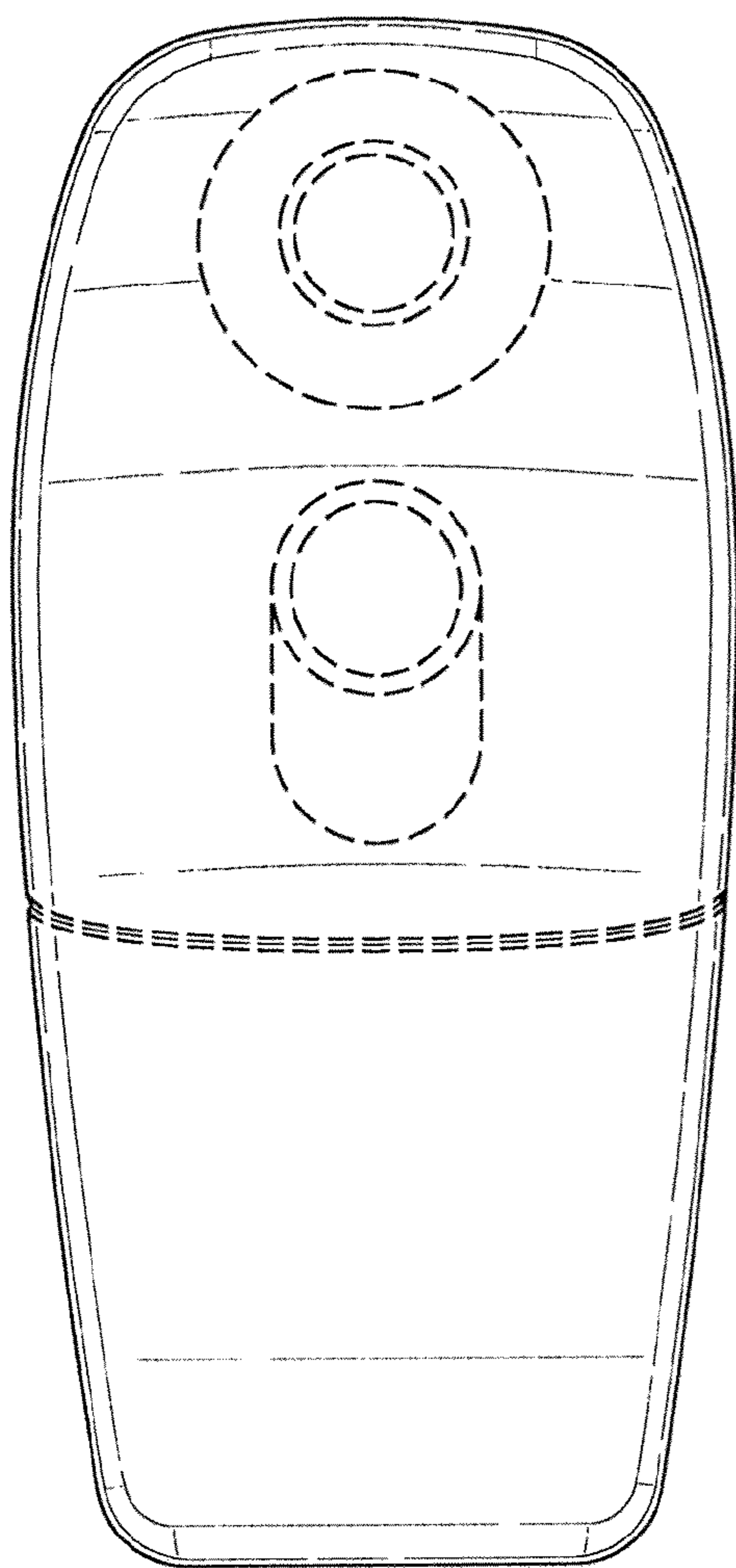


Fig.2.

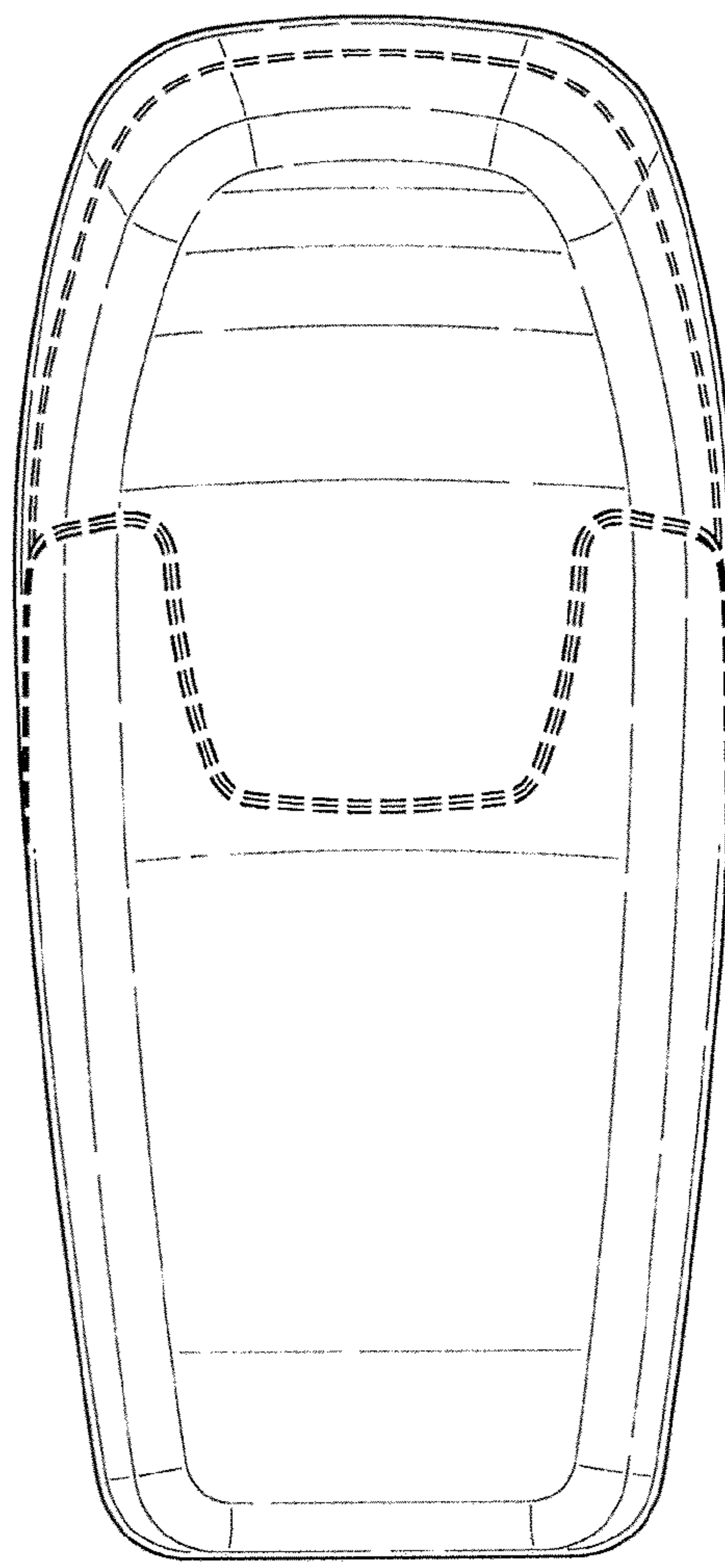


Fig.3.

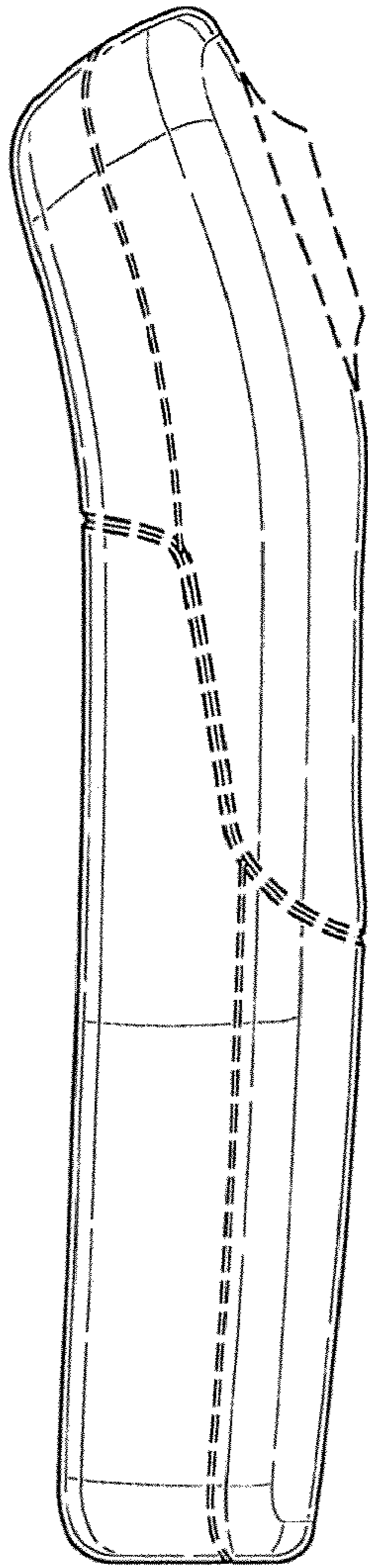


Fig.4.

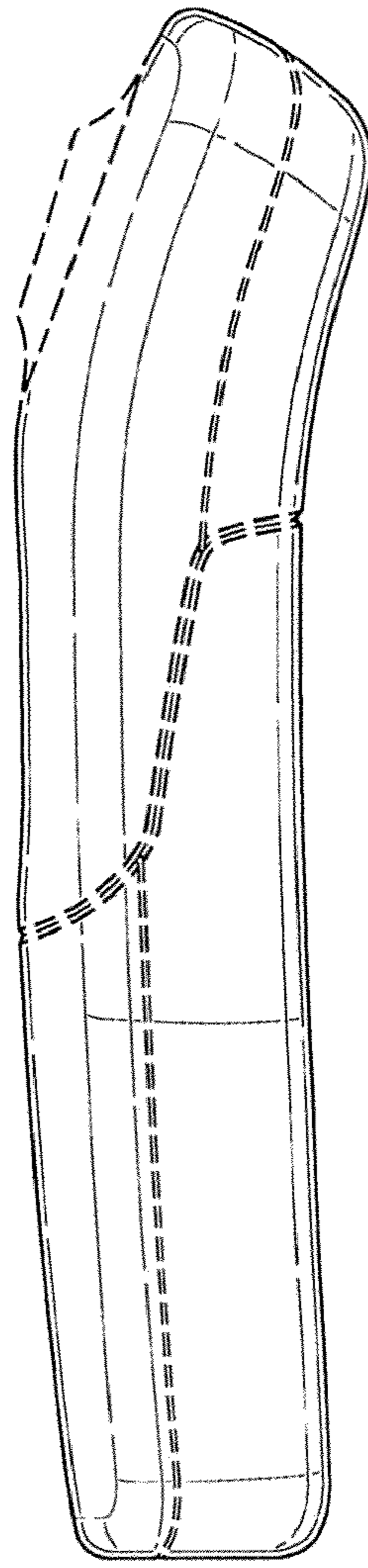


Fig.5.

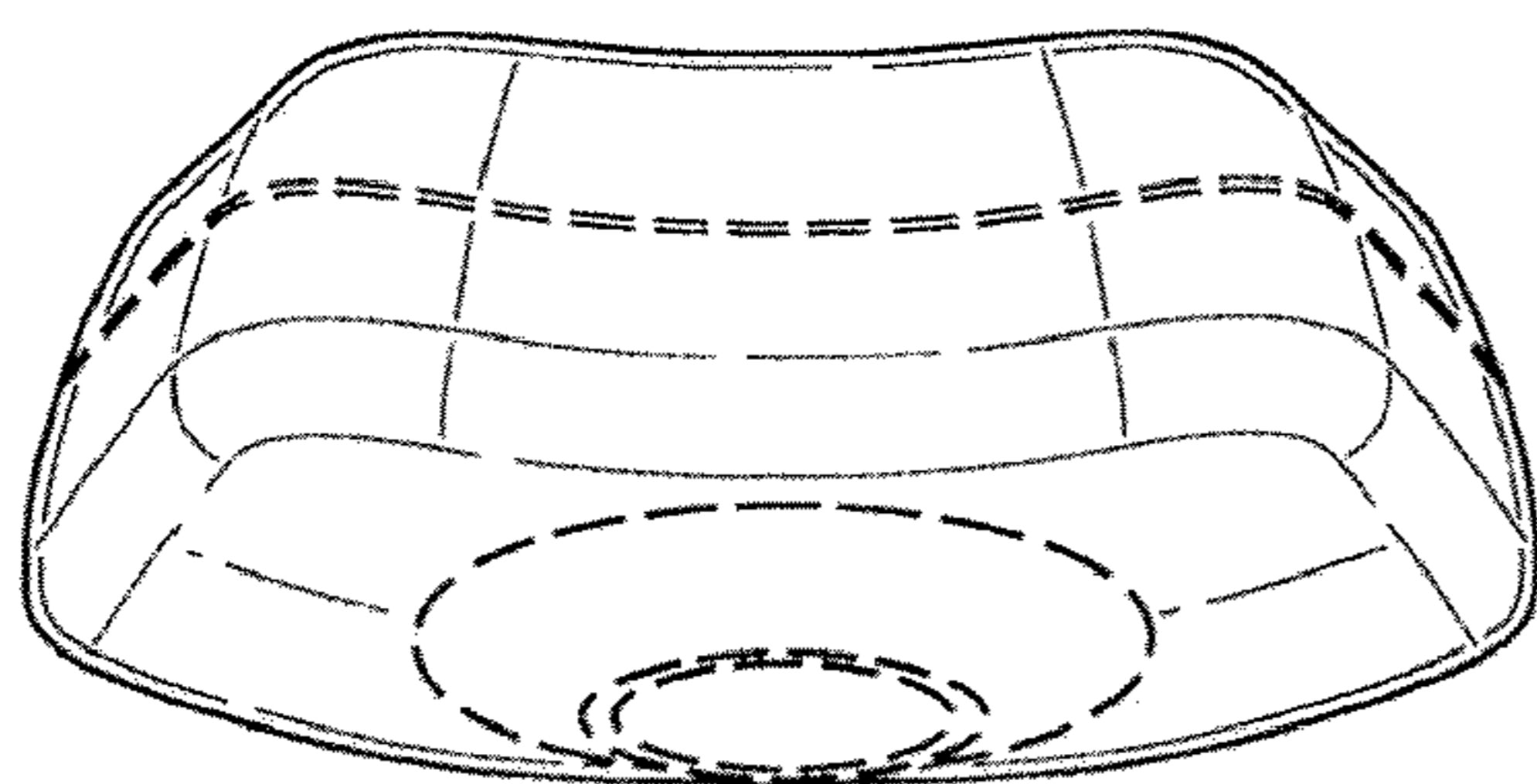


Fig.6.

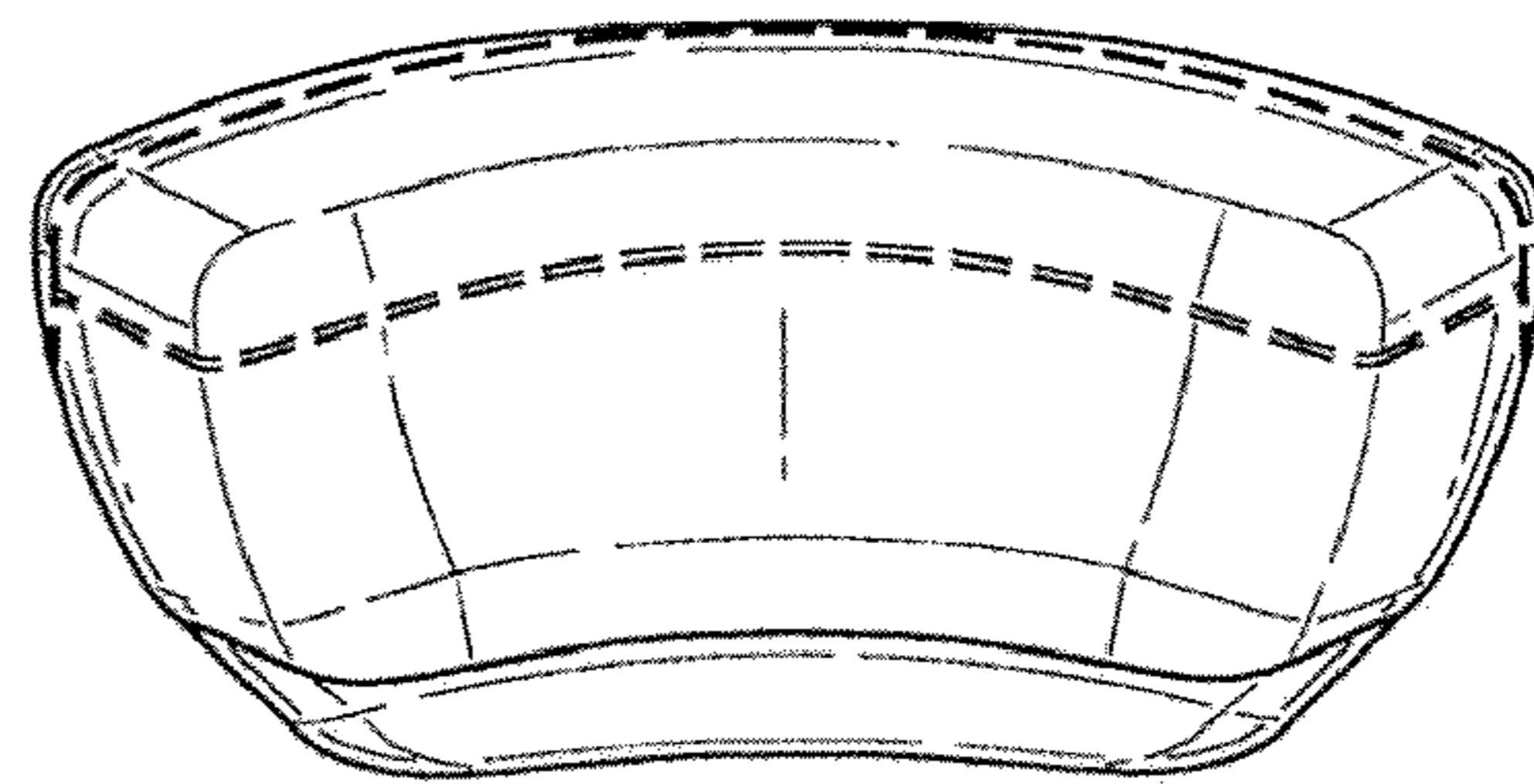


Fig.7.