

US00D662578S

(12) **United States Design Patent**
Blanking et al.

(10) **Patent No.:** **US D662,578 S**

(45) **Date of Patent:** **** Jun. 26, 2012**

(54) **SPRAY DISPENSER**

(75) Inventors: **Pär Robert Blanking**, West Yorkshire (GB); **Benjamin Nathan Diamant**, Leeds (GB); **Richard Nicholas Parker**, Newcastle (GB); **James Edward Roe**, Newcastle (GB); **Guy Richard Thompson**, Leeds (GB)

(73) Assignee: **Conopco Inc.**, Englewood Cliffs, NC (US)

(**) Term: **14 Years**

(21) Appl. No.: **29/393,512**

(22) Filed: **Jun. 6, 2011**

(30) **Foreign Application Priority Data**

Dec. 14, 2010 (EM) 001249890-0001

(51) **LOC (9) Cl.** **28-99**

(52) **U.S. Cl.** **D23/366**

(58) **Field of Classification Search** D23/355-369;
D28/5, 6; 261/DIG. 17, DIG. 42, DIG. 65,
261/DIG. 88, DIG. 89; 392/386, 390, 394,
392/395; 239/34, 44, 53, 55, 56, 326; D26/14,
D26/17, 98; D9/682, 686

See application file for complete search history.

(56) **References Cited**

U.S. PATENT DOCUMENTS

D278,370 S * 4/1985 Speitel D28/91.1
D349,335 S * 8/1994 Wang D23/366
D468,033 S * 12/2002 Warren et al. D26/26
D486,387 S * 2/2004 Lee et al. D9/682
D512,493 S * 12/2005 Haranaka D23/355

D512,494 S * 12/2005 Haranaka D23/355
D519,624 S * 4/2006 Chen D23/368
D525,871 S * 8/2006 Zeh et al. D9/521
D532,695 S * 11/2006 Grant D9/521
7,400,822 B2 * 7/2008 Ruiz Ballesteros et al. .. 392/390
D597,865 S * 8/2009 Bernard et al. D10/52
D597,866 S * 8/2009 Bernard et al. D10/52
D598,531 S * 8/2009 Irvin D23/366
D607,983 S * 1/2010 Irvin D23/366
D611,584 S * 3/2010 Gruenbacher et al. D23/366
D611,585 S * 3/2010 Gruenbacher et al. D23/366
D622,400 S * 8/2010 Freeman et al. D24/186
D643,103 S * 8/2011 Bilko et al. D23/366
D644,725 S * 9/2011 Kim D23/366
D647,193 S * 10/2011 Kim D23/366
D656,230 S * 3/2012 Robinson et al. D23/363

* cited by examiner

Primary Examiner — Sandra Snapp

(74) *Attorney, Agent, or Firm* — Karen E. Klumas

(57) **CLAIM**

The ornamental design for a spray dispenser, as shown and described.

DESCRIPTION

FIG. 1 is a front perspective view of a spray dispenser showing our new design;

FIG. 2 is a front elevational view thereof;

FIG. 3 is a back elevational view thereof;

FIG. 4 is a left side elevational view thereof;

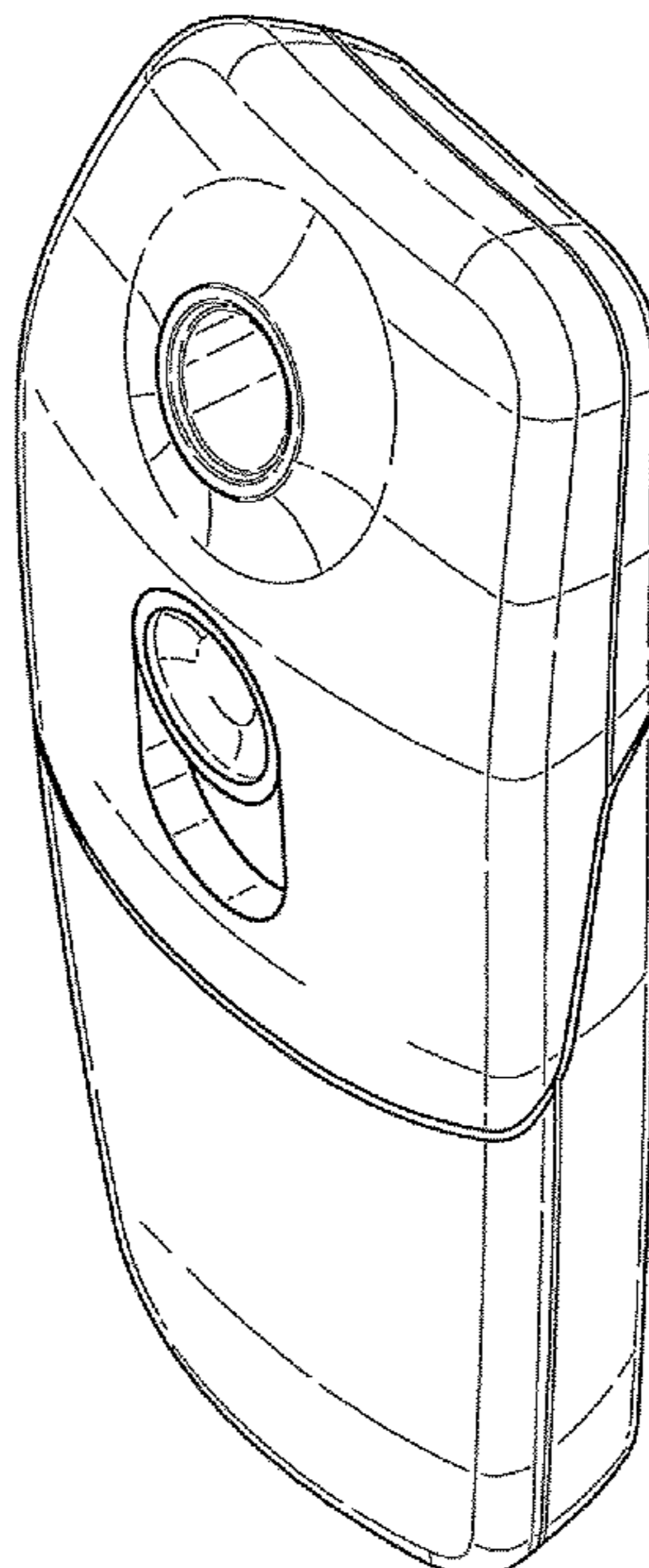
FIG. 5 is a right side elevational view thereof;

FIG. 6 is a top plan view thereof; and,

FIG. 7 is a bottom plan view thereof.

The broken lines are directed to environment and are for illustrative purposes only; the broken lines form no part of the claimed design.

1 Claim, 3 Drawing Sheets



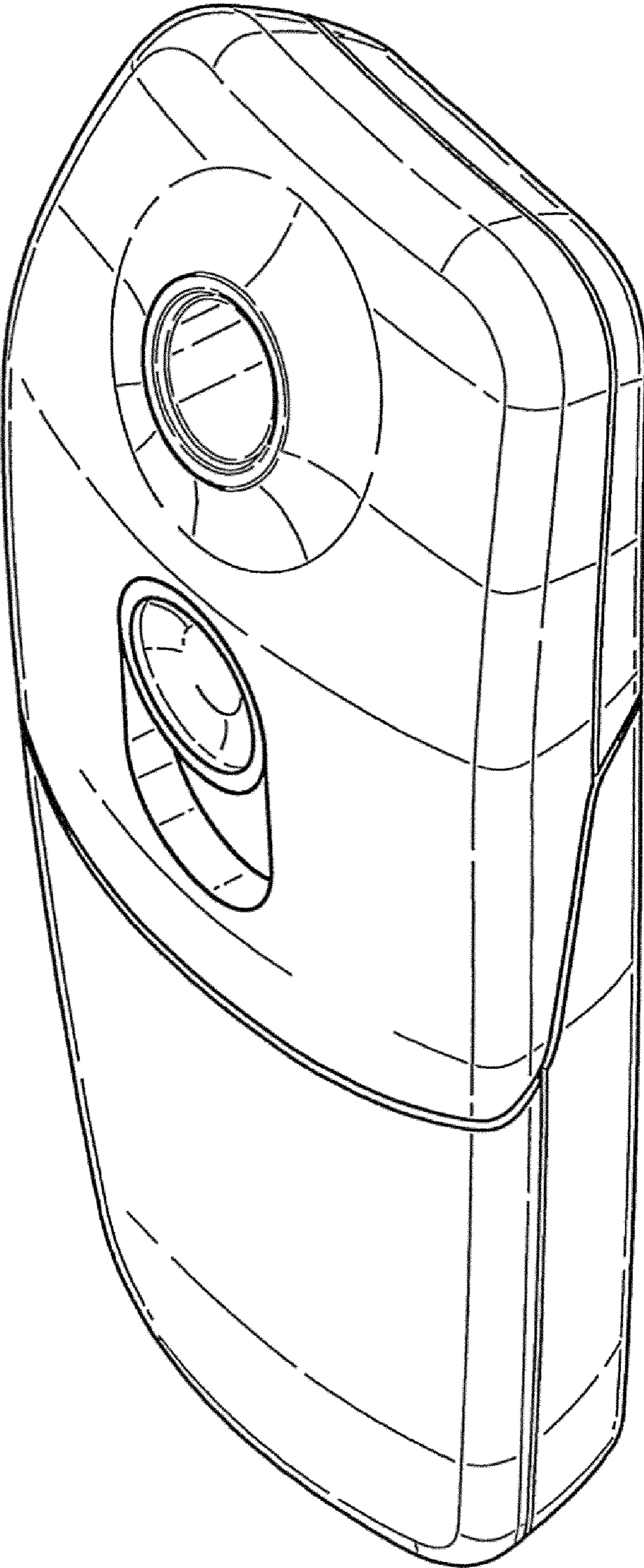


Fig. 1.

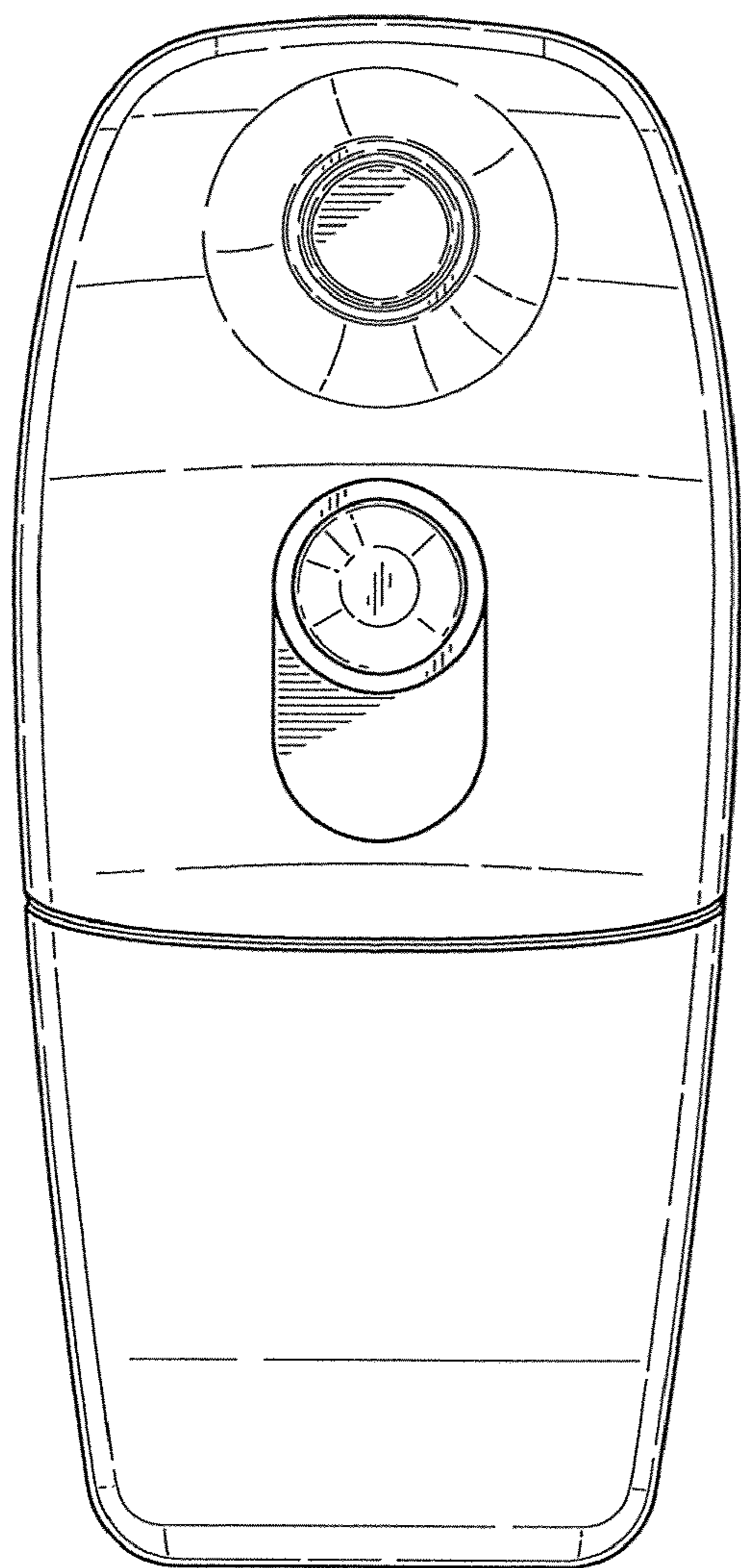


Fig.2.

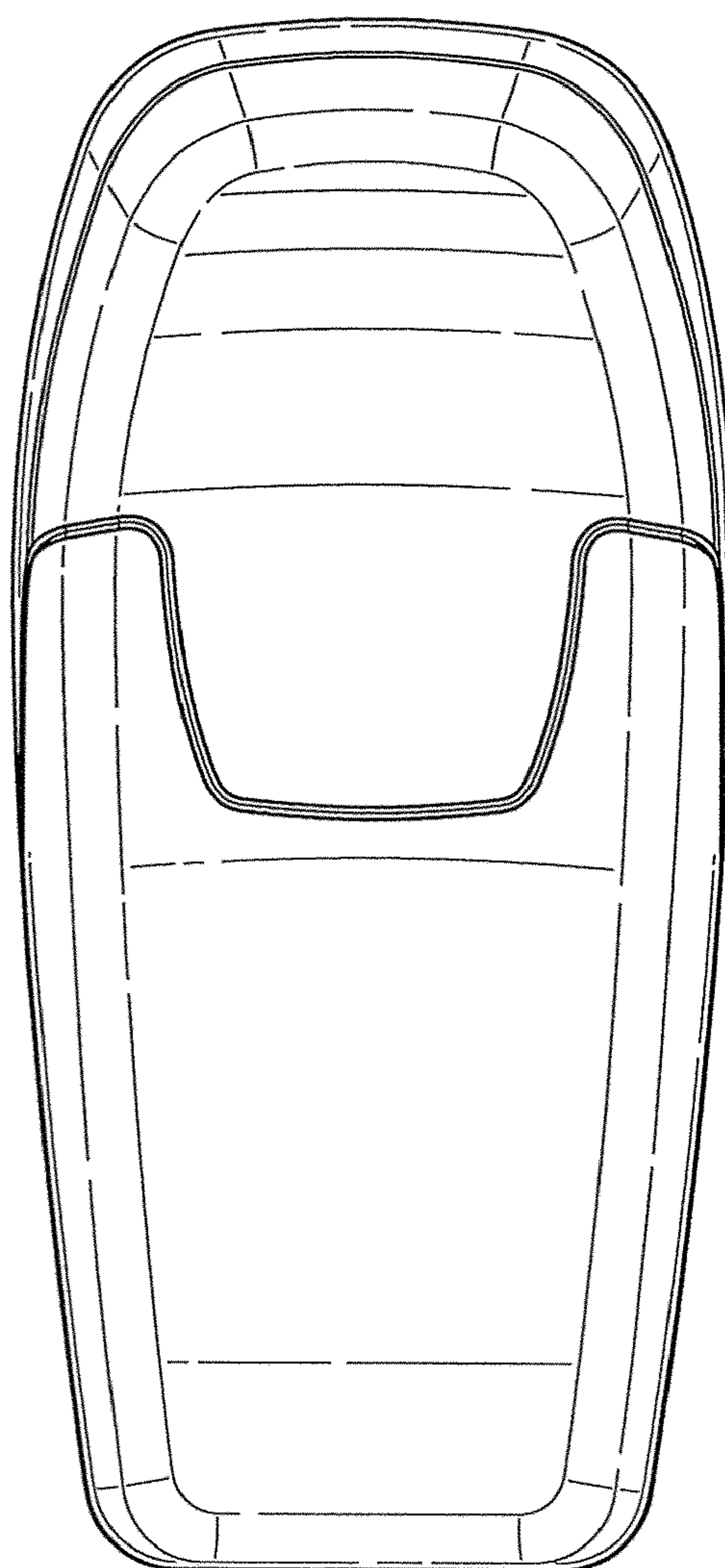


Fig.3.

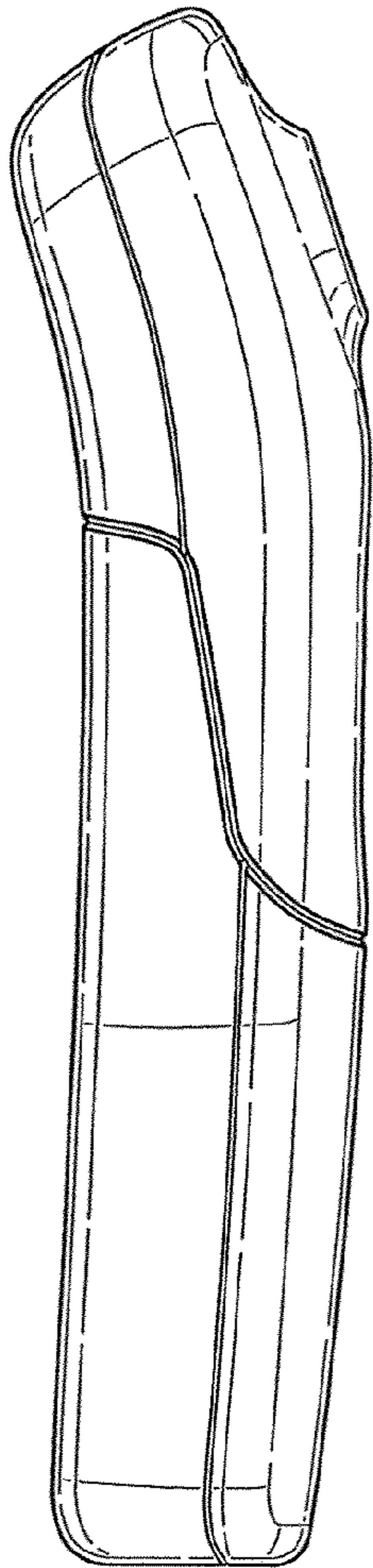


Fig.4.

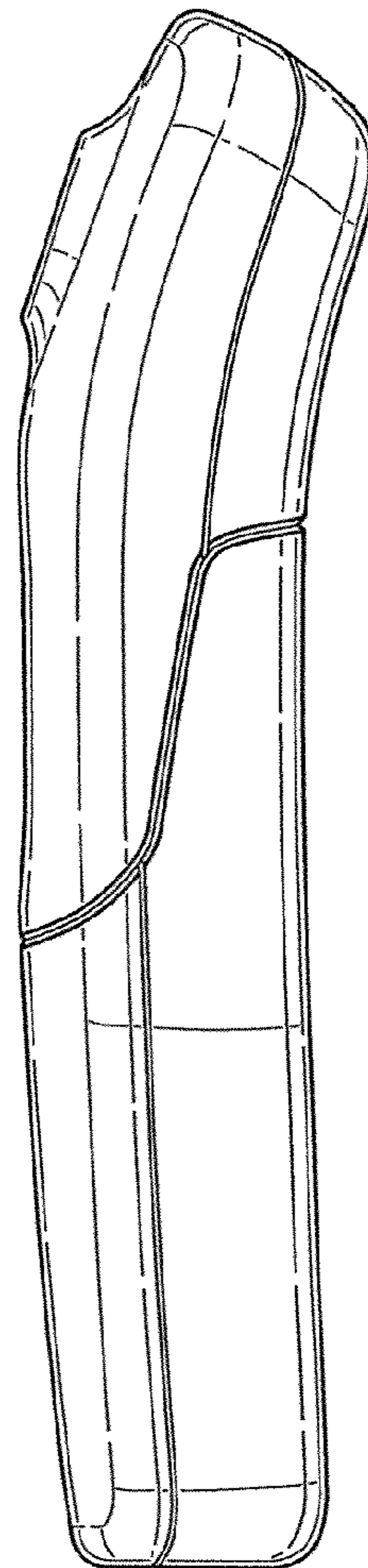


Fig.5.

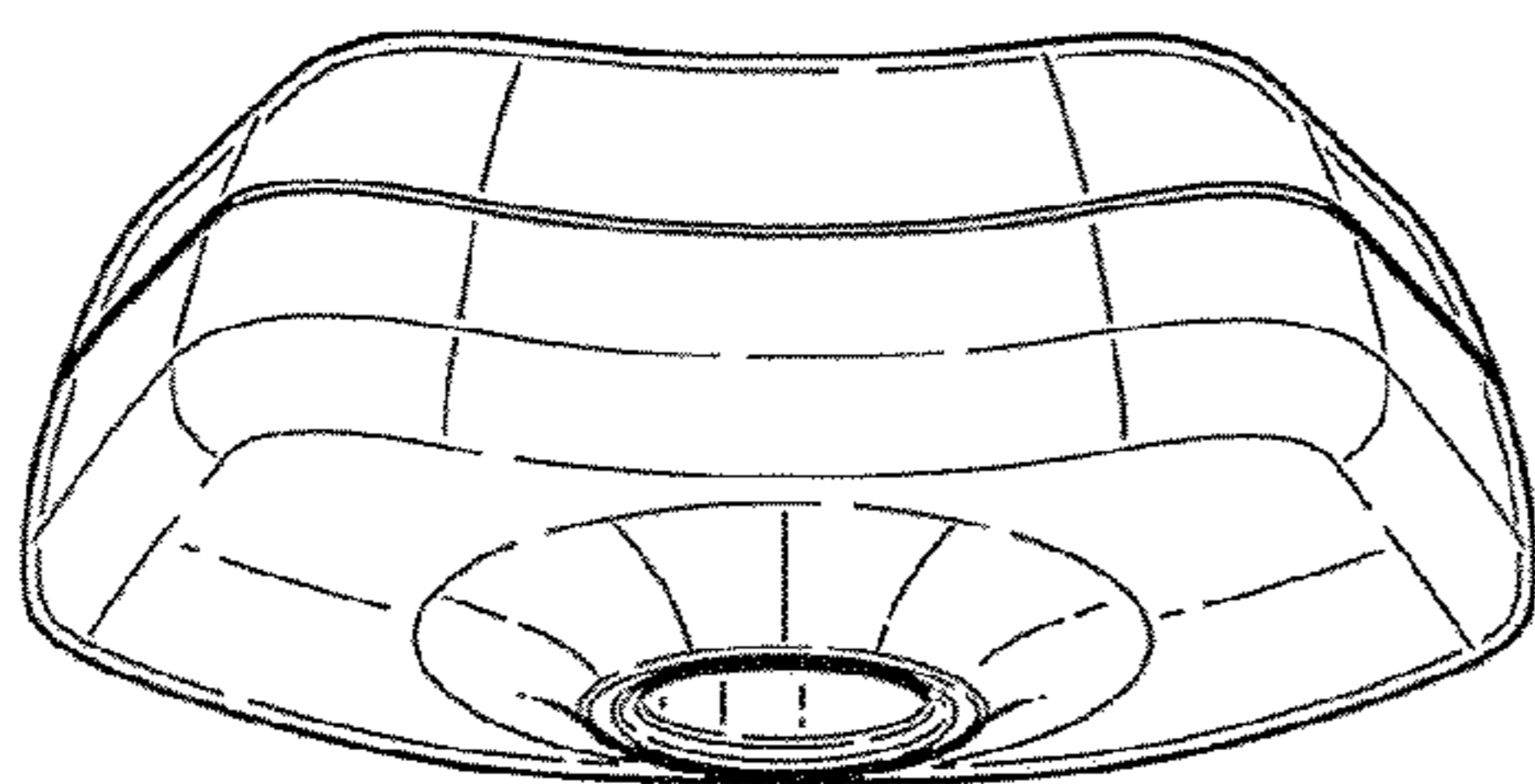


Fig.6.

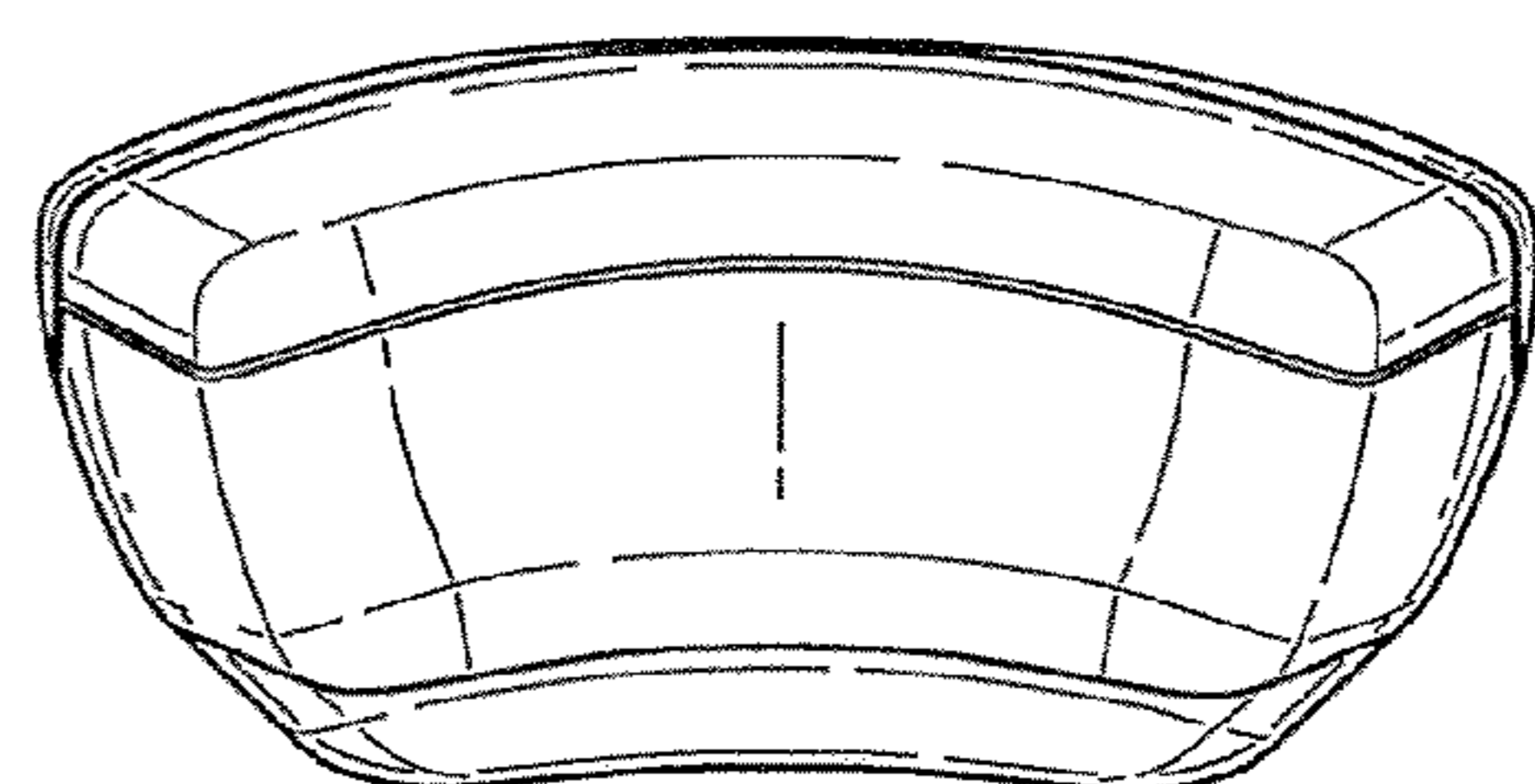


Fig.7.