



US00D662576S

(12) **United States Design Patent**
Shore et al.

(10) **Patent No.:** **US D662,576 S**
(45) **Date of Patent:** **** Jun. 26, 2012**

(54) **AIR TREATMENT DEVICE**
(75) Inventors: **Angela Nixon Shore**, State Road, NC (US); **Annie Pierce Haynes**, Troutman, NC (US); **Carolyn Morgan Stafford**, Cornelius, NC (US); **Jay Kinsley Fording**, Huntersville, NC (US); **Paul Richard Manley**, Huntersville, NC (US); **Michael Anthony Lorenz**, Gahanna, OH (US); **Ludwin Miguel Mora**, Worthington, OH (US); **Hun Jung Choi**, Kyounggido Koyangsi (KR); **Young Jo Kim**, Seoul (KR)

(73) Assignee: **Lowe's Companies, Inc.**, Mooresville, NC (US)

(**) Term: **14 Years**

(21) Appl. No.: **29/345,212**

(22) Filed: **Oct. 12, 2009**

(51) **LOC (9) Cl.** **23-04**

(52) **U.S. Cl.** **D23/364**

(58) **Field of Classification Search** D23/364,
D23/355, 356, 359, 360, 366, 369, 332, 333,
D23/335, 342, 351; 422/120, 122; 55/356,
55/473, 504; 96/97; D14/188, 170, 172;
261/DIG. 17, DIG. 65, DIG. 88, DIG. 31;
D18/34.6

See application file for complete search history.

(56) **References Cited**

U.S. PATENT DOCUMENTS

D360,028	S	7/1995	Matsuda
6,004,367	A	12/1999	Stopyra et al.
6,328,791	B1	12/2001	Pillion et al.
6,391,102	B1	5/2002	Bodden et al.
6,447,587	B1	9/2002	Pillion et al.
6,494,940	B1	12/2002	Hak
6,497,840	B1	12/2002	Palestro et al.
6,610,118	B2	8/2003	Bryce et al.
6,616,722	B1	9/2003	Cartellone
6,645,277	B1	11/2003	Franz et al.
6,660,070	B2	12/2003	Chung et al.

6,712,889	B2	3/2004	Pillion et al.
D497,984	S	11/2004	Tokunaga
6,869,468	B2	3/2005	Gibson
6,919,809	B2	7/2005	Blunn et al.
6,984,259	B2	1/2006	Hurst
7,132,003	B2	11/2006	Hirayama et al.
D539,403	S *	3/2007	Pino D23/351
7,241,326	B2	7/2007	Han et al.
7,258,728	B2	8/2007	Lim et al.
D562,953	S *	2/2008	Lewis D23/332
D564,645	S *	3/2008	Shapiro D23/332
D569,957	S *	5/2008	Shapiro D23/332
D580,029	S *	11/2008	Lewis D23/335
D580,030	S *	11/2008	Shapiro D23/332
D592,740	S *	5/2009	Catrino D23/332
7,537,649	B2	5/2009	Pippel et al.
D594,948	S *	6/2009	Lewis D23/332
D603,497	S *	11/2009	Choi D23/364
D604,817	S *	11/2009	Lee D23/332
D605,272	S *	12/2009	Chun et al. D23/359
D605,745	S *	12/2009	Chun et al. D23/359

(Continued)

Primary Examiner — David Muller

(74) *Attorney, Agent, or Firm* — Moore & Van Allen, PLLC;
W. Kevin Ransom

(57) **CLAIM**

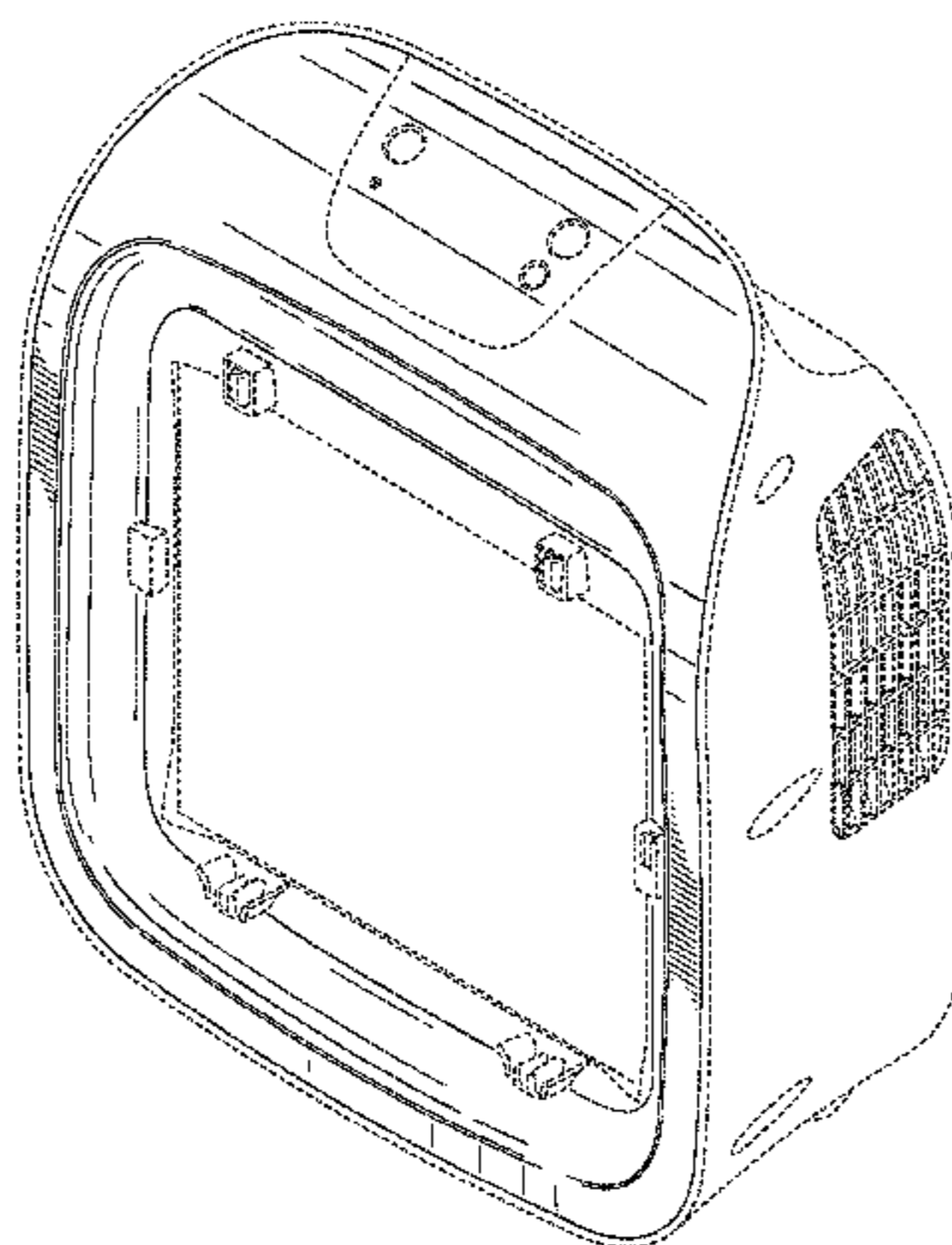
The ornamental design for an air treatment device, as shown and described.

DESCRIPTION

FIG. 1 is a front, top and right perspective view of an air treatment device showing our new design; FIG. 2 is a front elevation view thereof; FIG. 3 is a rear elevation view thereof; FIG. 4 is a right side elevation view thereof; FIG. 5 is a left side elevation view thereof; FIG. 6 is a top plan view thereof; and, FIG. 7 is a bottom plan view thereof.

The features shown in broken lines depict environmental subject matter only and form no part of the claimed design. In addition, the surface shading illustrated in the drawings is provided merely to highlight the contour of the design; it is not intended to be illustrative of texture or gloss.

1 Claim, 7 Drawing Sheets



US D662,576 S

Page 2

U.S. PATENT DOCUMENTS

D607,551 S *	1/2010	Catrino	D23/332	2007/0221061 A1	9/2007	Steiner
2005/0031448 A1	2/2005	Lasko et al.		2008/0134899 A1	6/2008	Subbarao et al.
2006/0199515 A1	9/2006	Lasko et al.		2008/0188173 A1	8/2008	Chen et al.
2007/0004328 A1	1/2007	Balzer		2008/0216657 A1	9/2008	Brady et al.
2007/0209701 A1	9/2007	Lasko et al.				

* cited by examiner

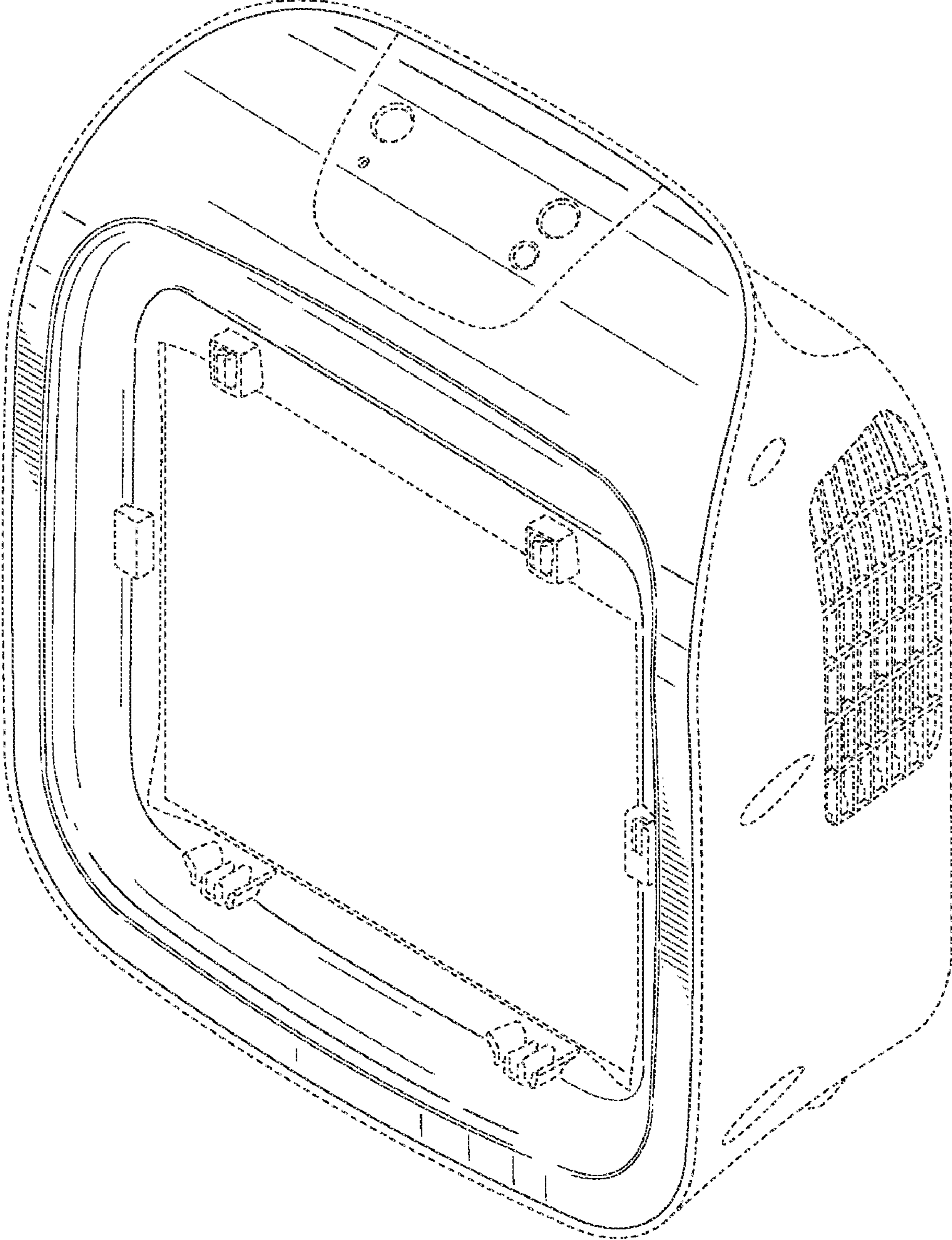


FIG. 1

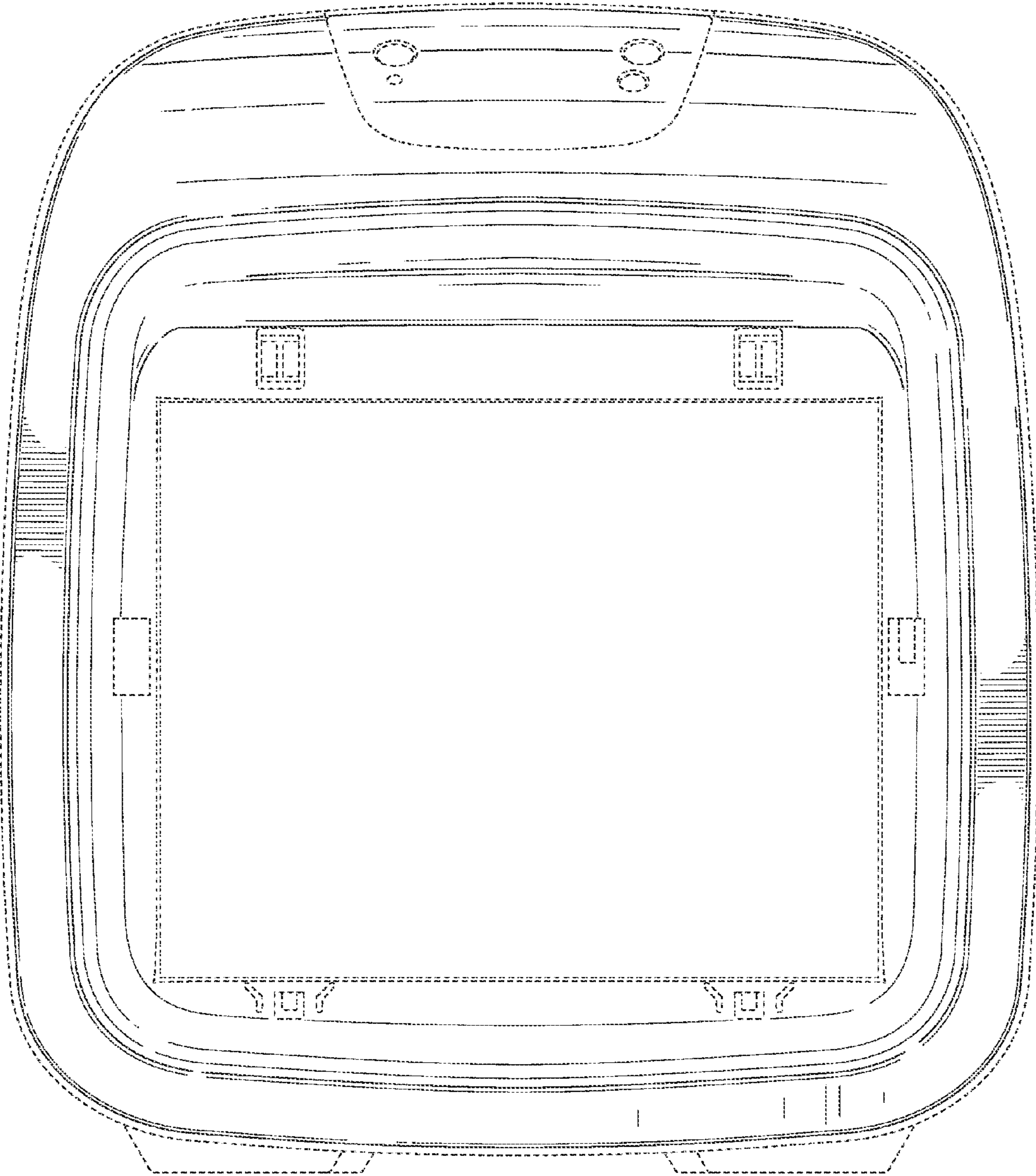


FIG. 2

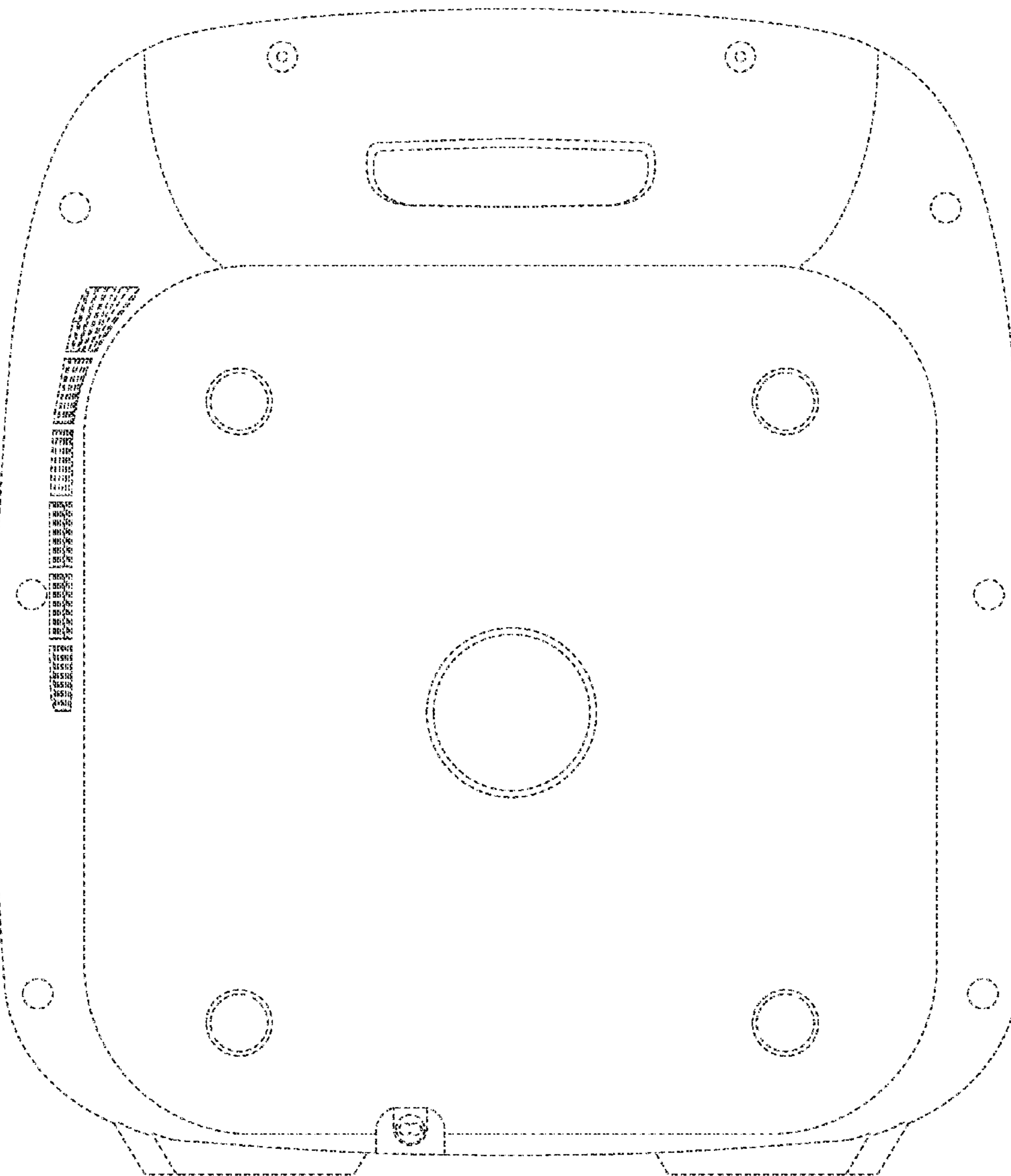


FIG. 3

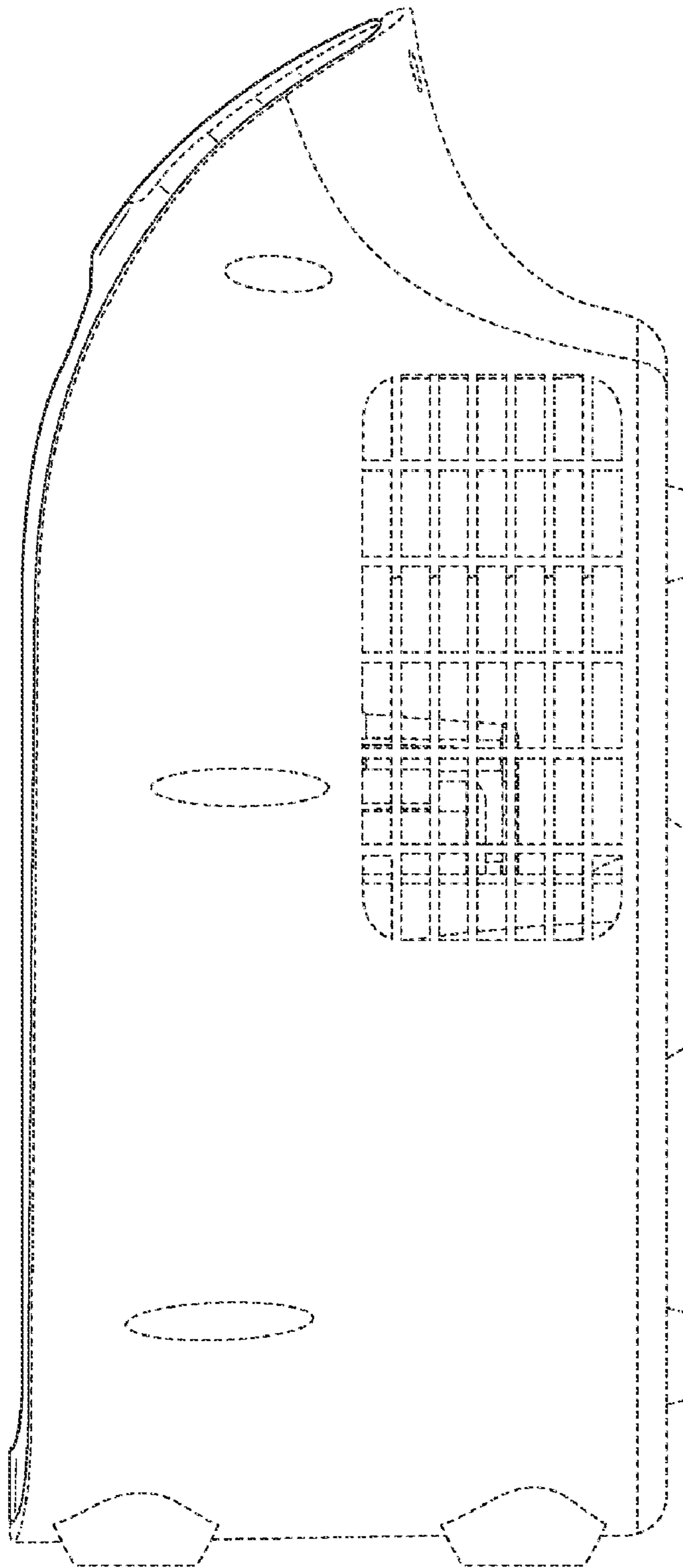


FIG. 4

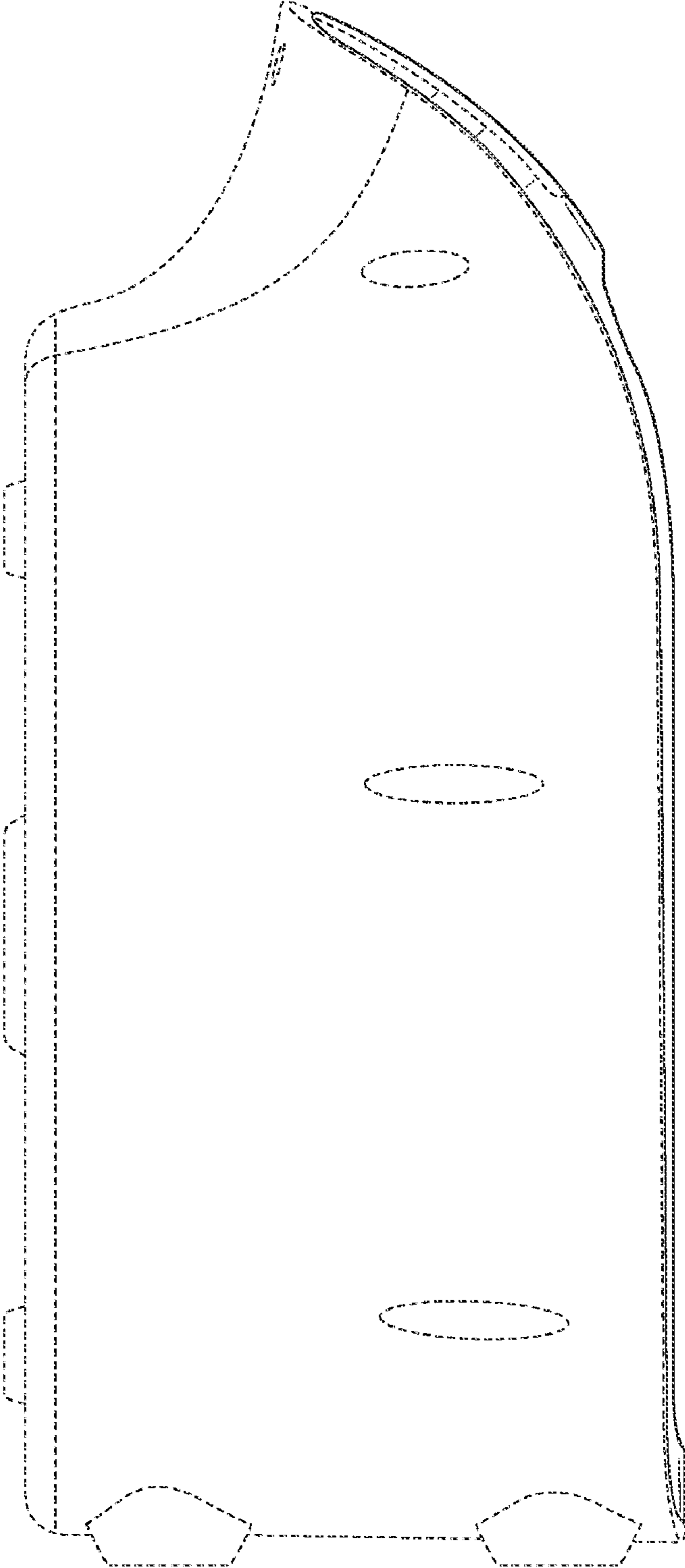


FIG. 5

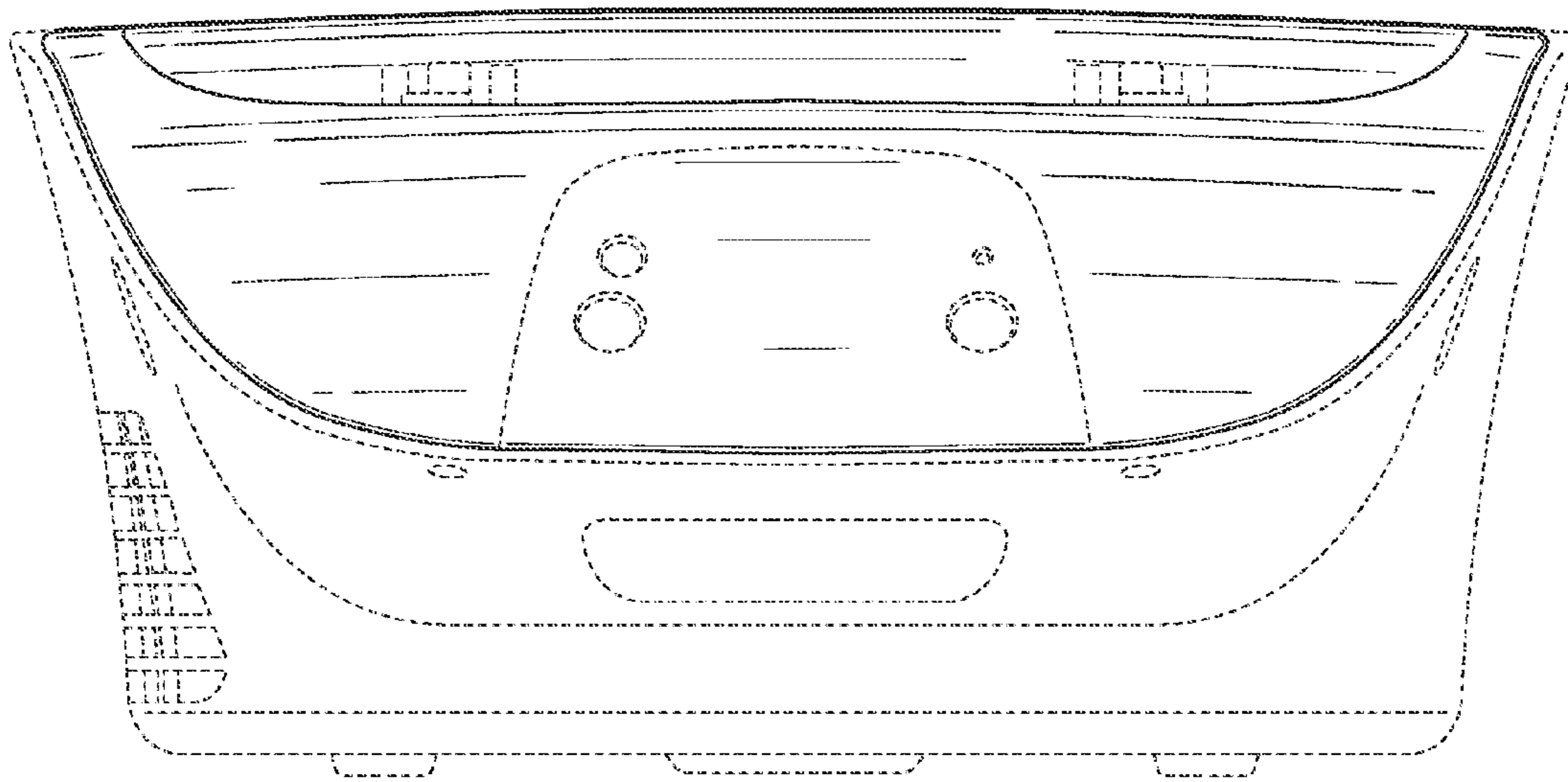


FIG. 6

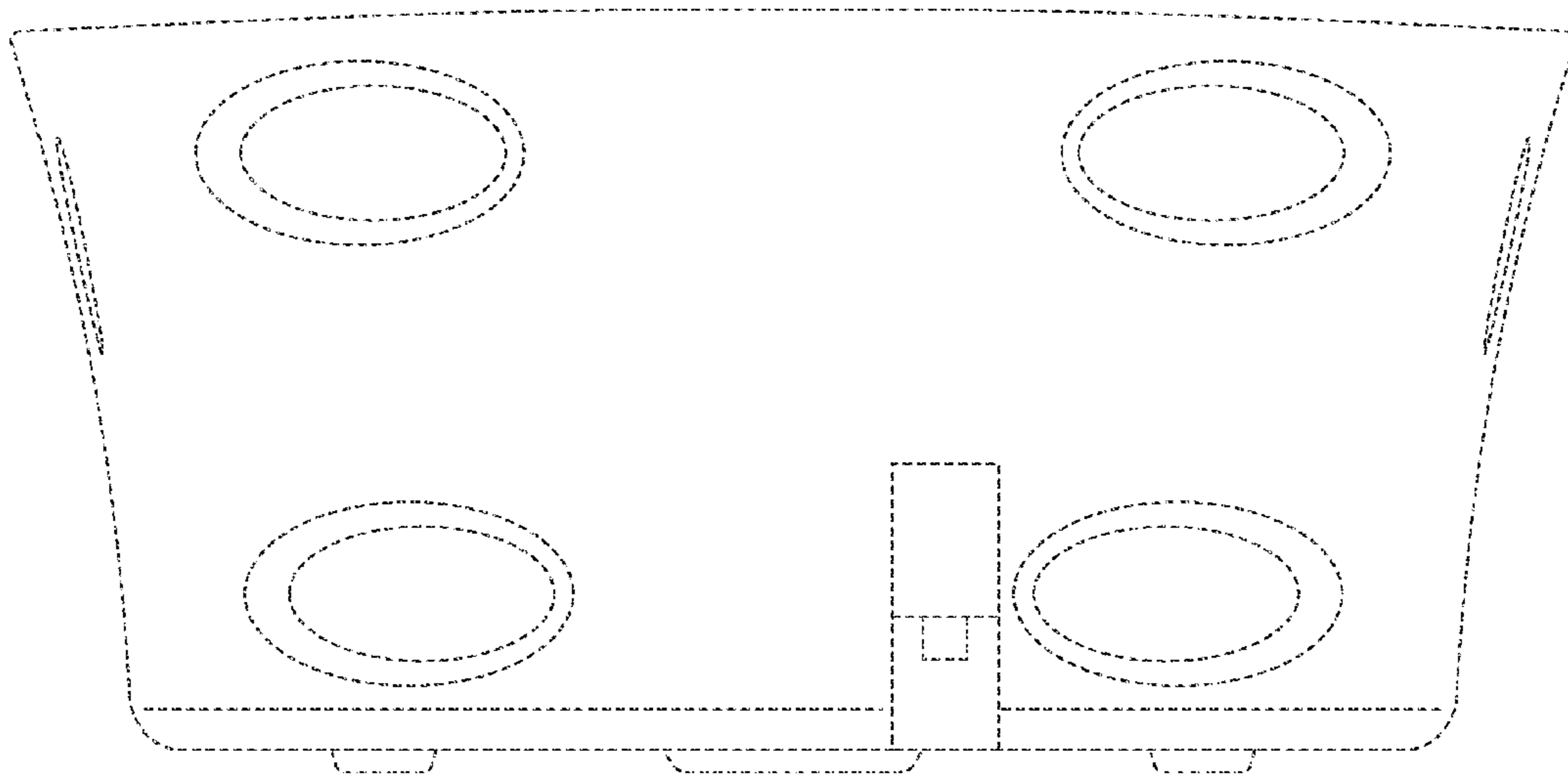


FIG. 7