



US00D662574S

(12) **United States Design Patent**
Booth et al.

(10) **Patent No.:** **US D662,574 S**
(45) **Date of Patent:** **** Jun. 26, 2012**

- (54) **SINK**
- (75) Inventors: **Shawn J. Booth**, Sheboygan, WI (US);
Herbert V. Kohler, Jr., Kohler, WI (US)
- (73) Assignee: **Kohler Co.**, Kohler, WI (US)
- (**) Term: **14 Years**
- (21) Appl. No.: **29/409,937**
- (22) Filed: **Dec. 30, 2011**

Related U.S. Application Data

- (62) Division of application No. 29/386,020, filed on Feb. 23, 2011, now Pat. No. Des. 651,699.
- (51) **LOC (9) Cl.** **23-02**
- (52) **U.S. Cl.** **D23/308**
- (58) **Field of Classification Search** D23/272–274,
D23/284, 286–287, 290, 293.1, 303, 308;
4/619, 639, 642
See application file for complete search history.

(56) **References Cited**

U.S. PATENT DOCUMENTS

D184,799 S	*	4/1959	Clemens	D6/509
D353,652 S	*	12/1994	Dannenberg	D23/293.1
D358,457 S	*	5/1995	Dannenberg	D23/293.1
D451,585 S	*	12/2001	Svensen et al.	D23/290
D473,294 S		4/2003	Genslak et al.		
D492,983 S		7/2004	Rachiele		
D494,665 S		8/2004	Herbeau		
D501,541 S	*	2/2005	Gordon	D23/284
D508,984 S	*	8/2005	Gordon	D23/293.1
D556,297 S		11/2007	Baade et al.		
D651,699 S	*	1/2012	Booth et al.	D23/284

OTHER PUBLICATIONS

Songbath.com. Apron Front Kitchen Sink. Songbath.com online catalog.

Instwares.com. GSW Stainless Steel Corner Drain Sink Bowl—18×24in. Instawres.com online catalog.
Belle Foret. “Apron Front Kitchen Sink”. Model No. BFF1KIT. BelleForet.com online catalog. All Contents Copyright, Your 'Other Warehouse.

(Continued)

Primary Examiner — Robert Delehanty
(74) *Attorney, Agent, or Firm* — Foley & Lardner LLP

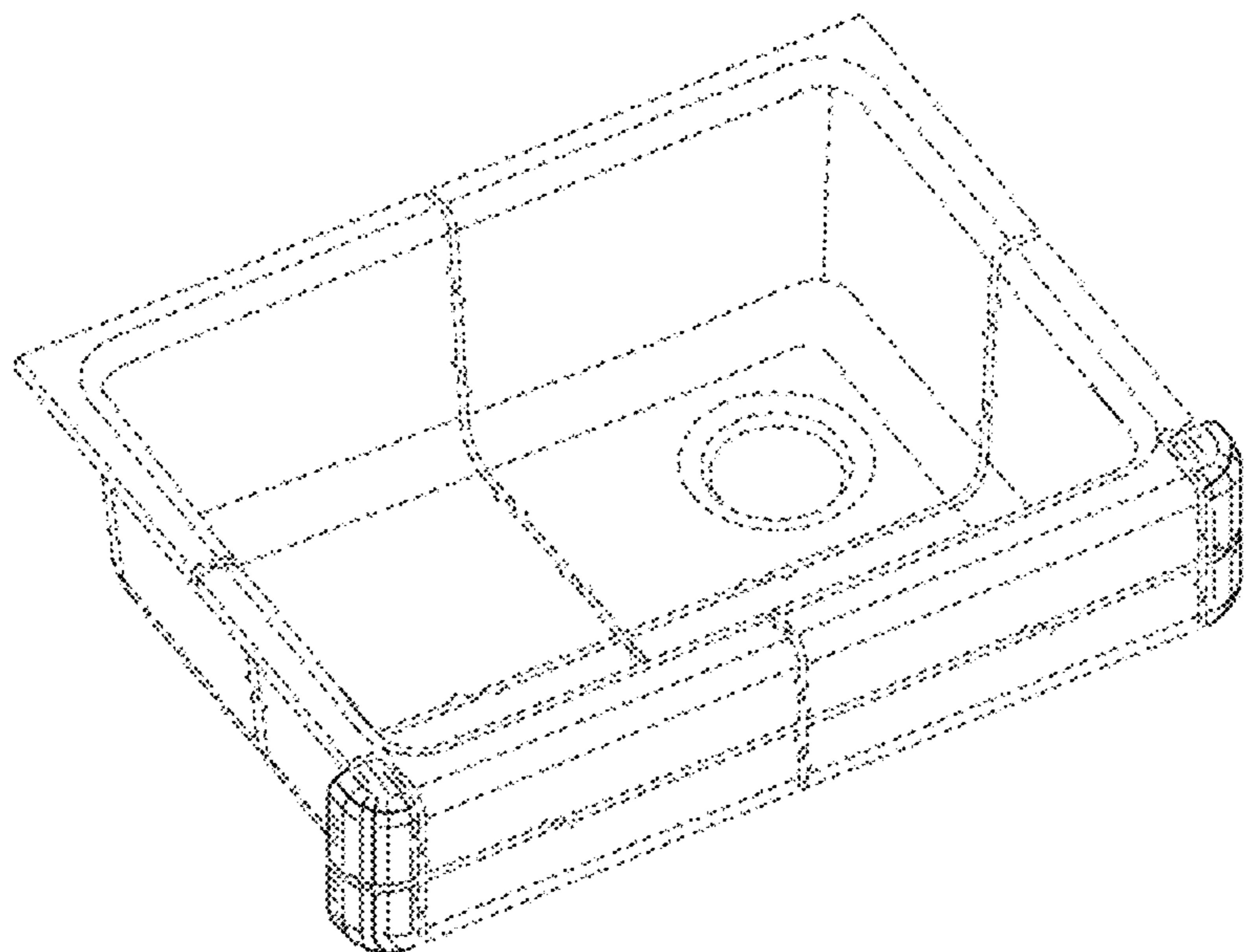
(57) **CLAIM**

We claim the ornamental design for a sink, as shown and described.

DESCRIPTION

FIG. 1 is a top, left, front perspective view of an embodiment of the claimed design;
 FIG. 2 is a top, right, rear perspective view of the claimed design of FIG. 1;
 FIG. 3 is a top plan view of the claimed design of FIG. 1;
 FIG. 4 is a front elevation view of the claimed design of FIG. 1;
 FIG. 5 is a left-side elevation view of the claimed design of FIG. 1;
 FIG. 6 is a right-side elevation view of the claimed design of FIG. 1;
 FIG. 7 is a rear elevation view of the claimed design of FIG. 1; and,
 FIG. 8 is a bottom plan view of the claimed design of FIG. 1.
 The ornamental design which is claimed is shown in solid lines in the drawings. The dash-dash broken lines in the drawings are for the purpose of illustrating unclaimed surfaces or environment of the design. The dot-dash-dot broken lines in the drawings defined unclaimed boundaries of the design. Thus, the broken lines are for illustrative purposes only and form no part of the claimed design.

1 Claim, 7 Drawing Sheets



OTHER PUBLICATIONS

Kohler Co. "Dickinson Apron-Front, Tile-in Kitchen Sink". Model No. K-6546-3. Kohler Co. online catalog. Copyright 2011 Kohler Co.
Kohler Co. "Dickinson Apron-Front, Tile-in Kitchen Sink". Model No. K-6546-4. Kohler Co. online catalog. Copyright 2011 Kohler Co.
Kohler Co. "Dickinson Apron-Front, Tile-in Kitchen Sink". Model No. K-6546-4U. Kohler Co. online catalog. Copyright 2011 Kohler Co.
Kohler Co. "Hawthorne Apron-Front, Tile-in Kitchen Sink". Model No. K-6534-3. Kohler Co. online catalog. Copyright 2011 Kohler Co.
Kohler Co. "Hawthorne Apron-Front, Tile-in Kitchen Sink". Model No. K-6534-4. Kohler Co. online catalog. Copyright 2011 Kohler Co.
Kohler Co. "Hawthorne Apron-Front, Tile-in Kitchen Sink". Model No. K-6534-4U. Kohler Co. online catalog. Copyright 2011 Kohler Co.

Lyons. "Premium 34 x 23 Apron Sink". Model No. KSxxAP3.4. Lyons brochure.
Kallista. "For Loft by Michael S. Smith Fireclay Kitchen Sink with Drainboard." Model No. L20300. Kallista.com online catalog. Copyright 2011 Kohler Co.
Kallista. "For Loft by Michael S. Smith Fireclay Kitchen Sink." Model No. L20301. Kallista.com online catalog. Copyright 2011 Kohler Co.
Kallista. "For Town by Michael S. Smith Fireclay Kitchen Sink." Model No. L20303. Kallista.com online catalog. Copyright 2011 Kohler Co.
Rohl. Apron Front Sink.
Shaws Original. Apron Snk.

* cited by examiner

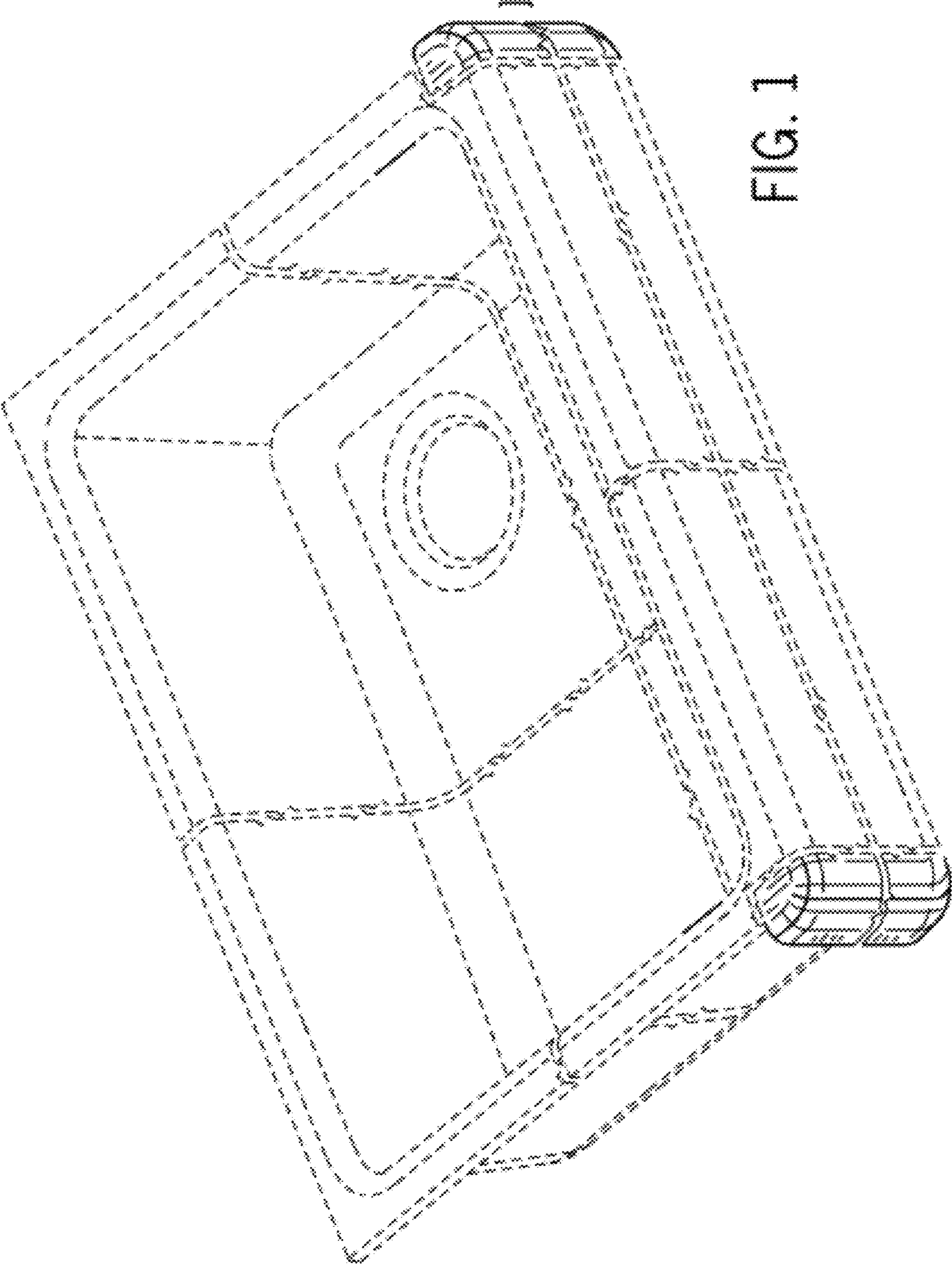


FIG. 1

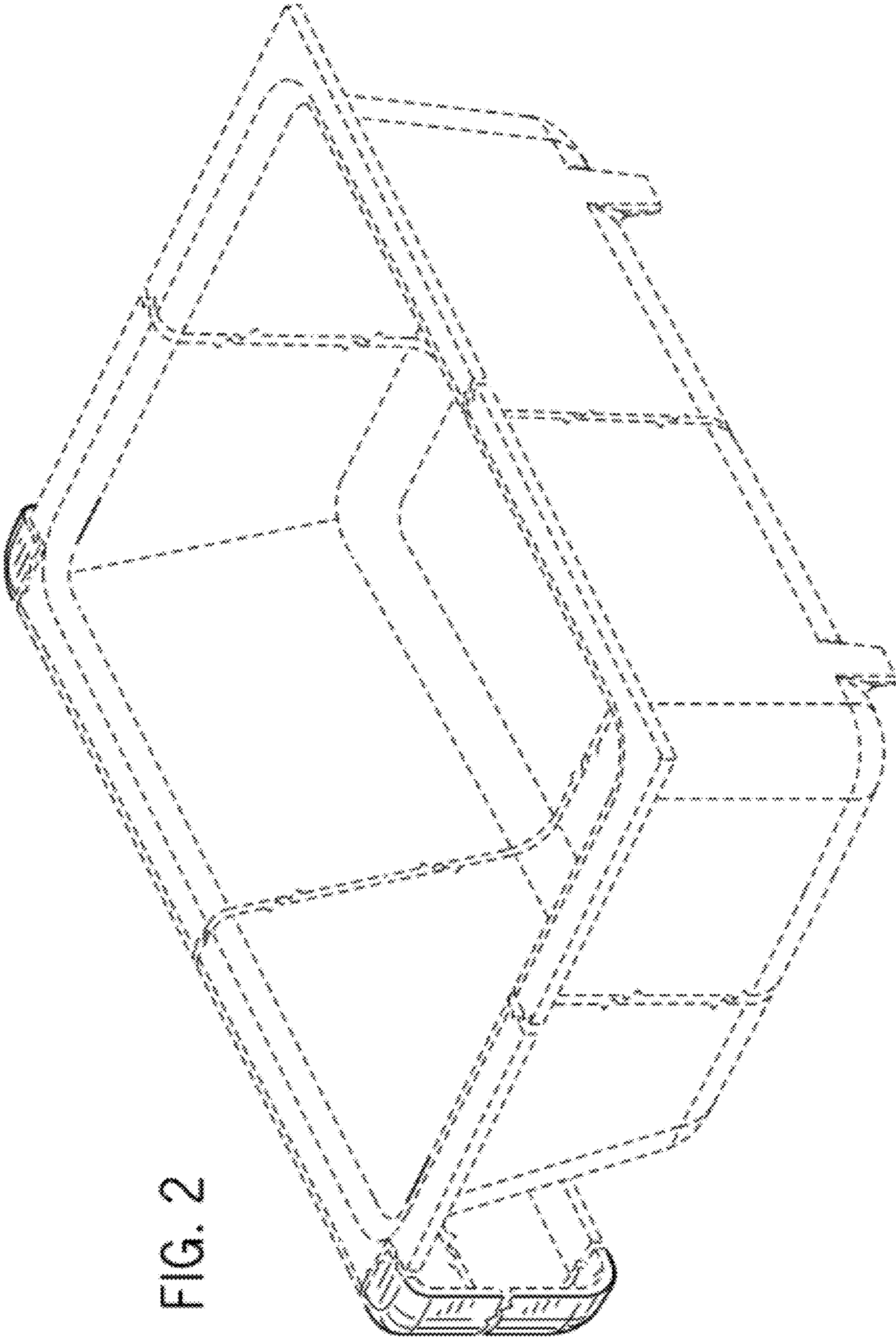


FIG. 2

1

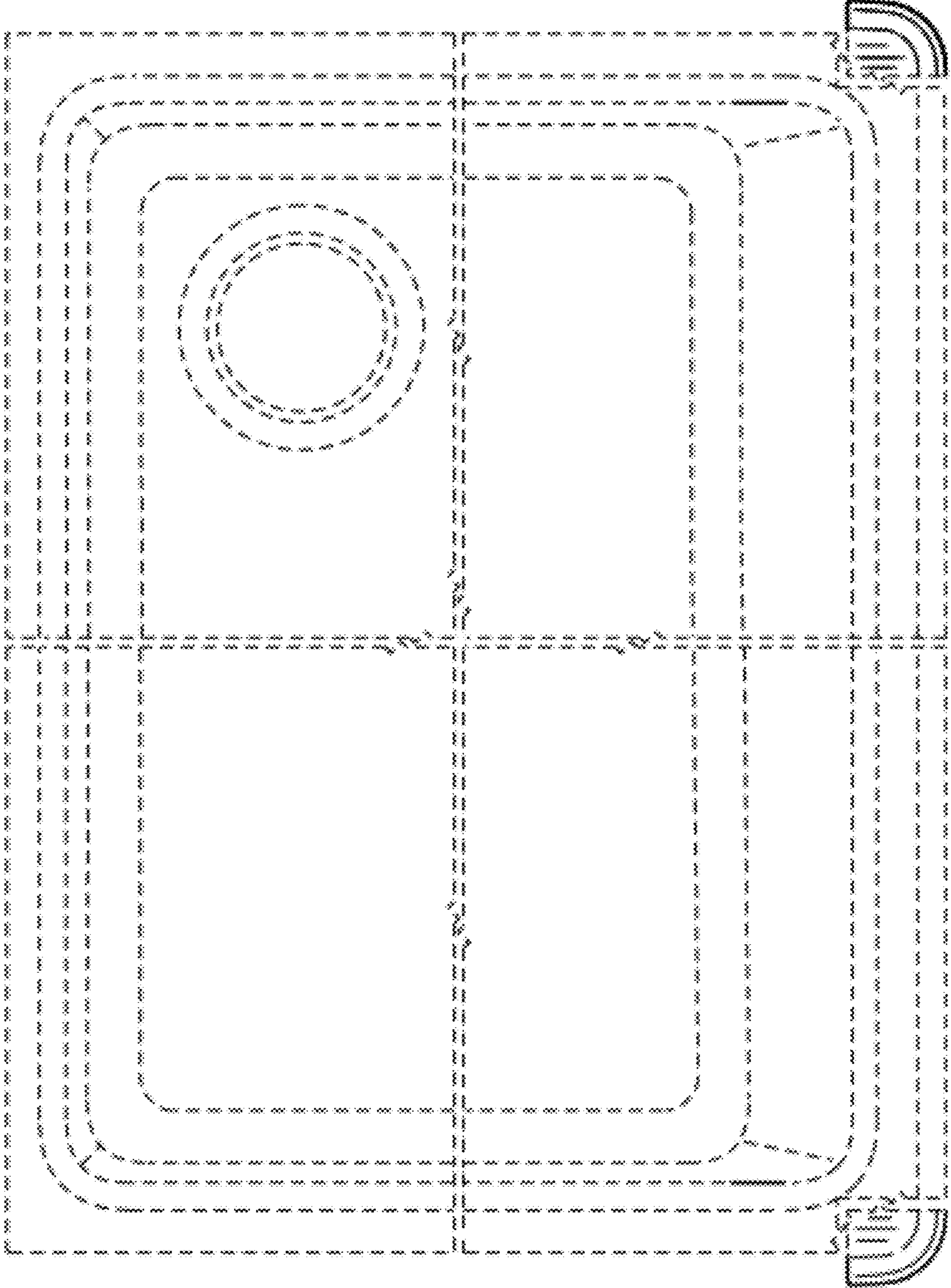


FIG. 3

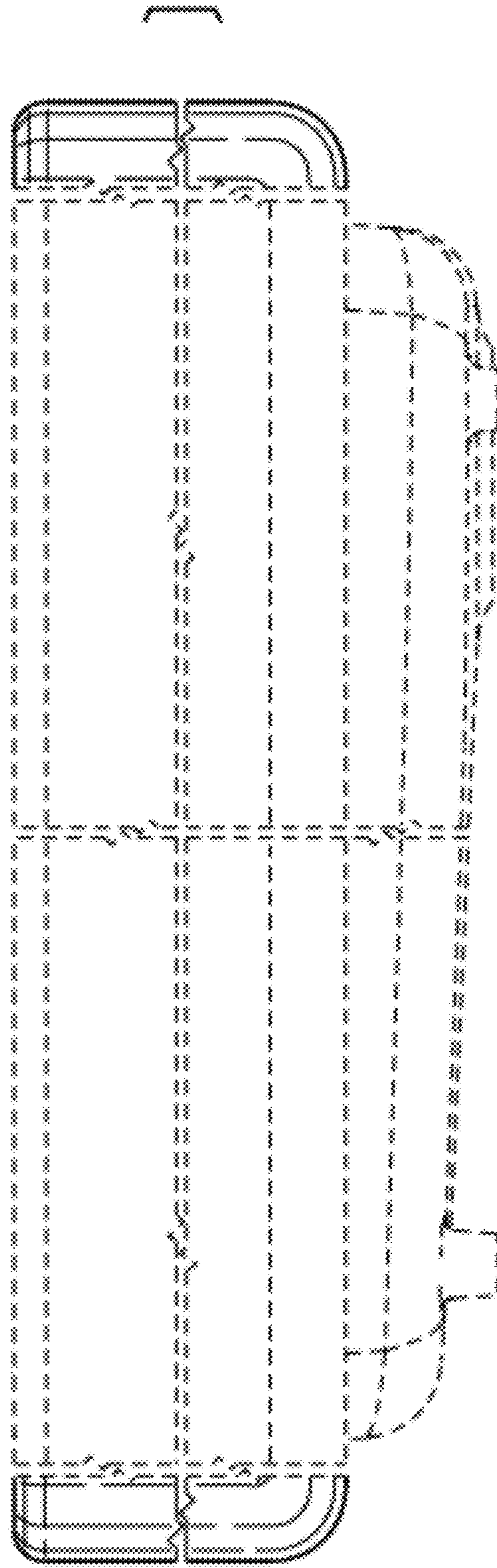


FIG. 4

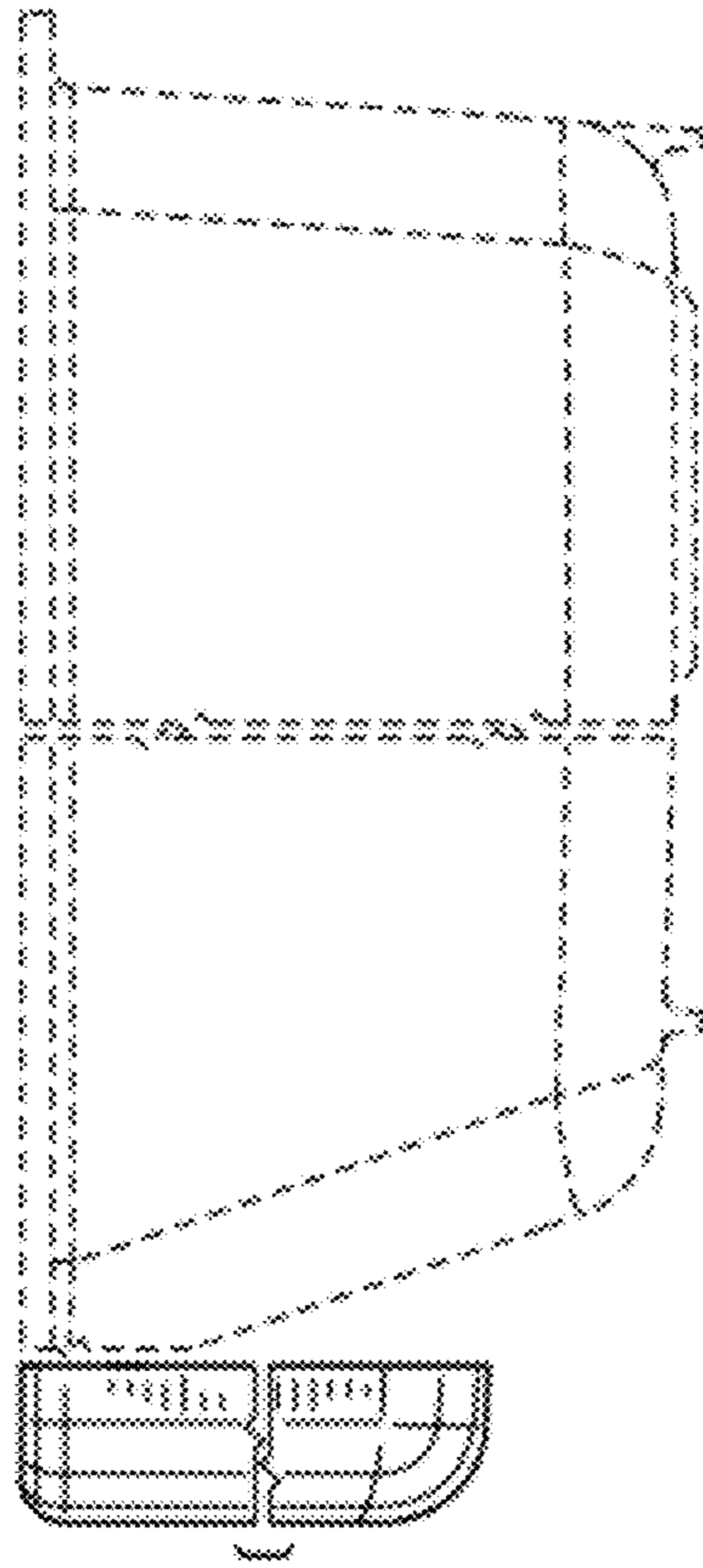


FIG. 5

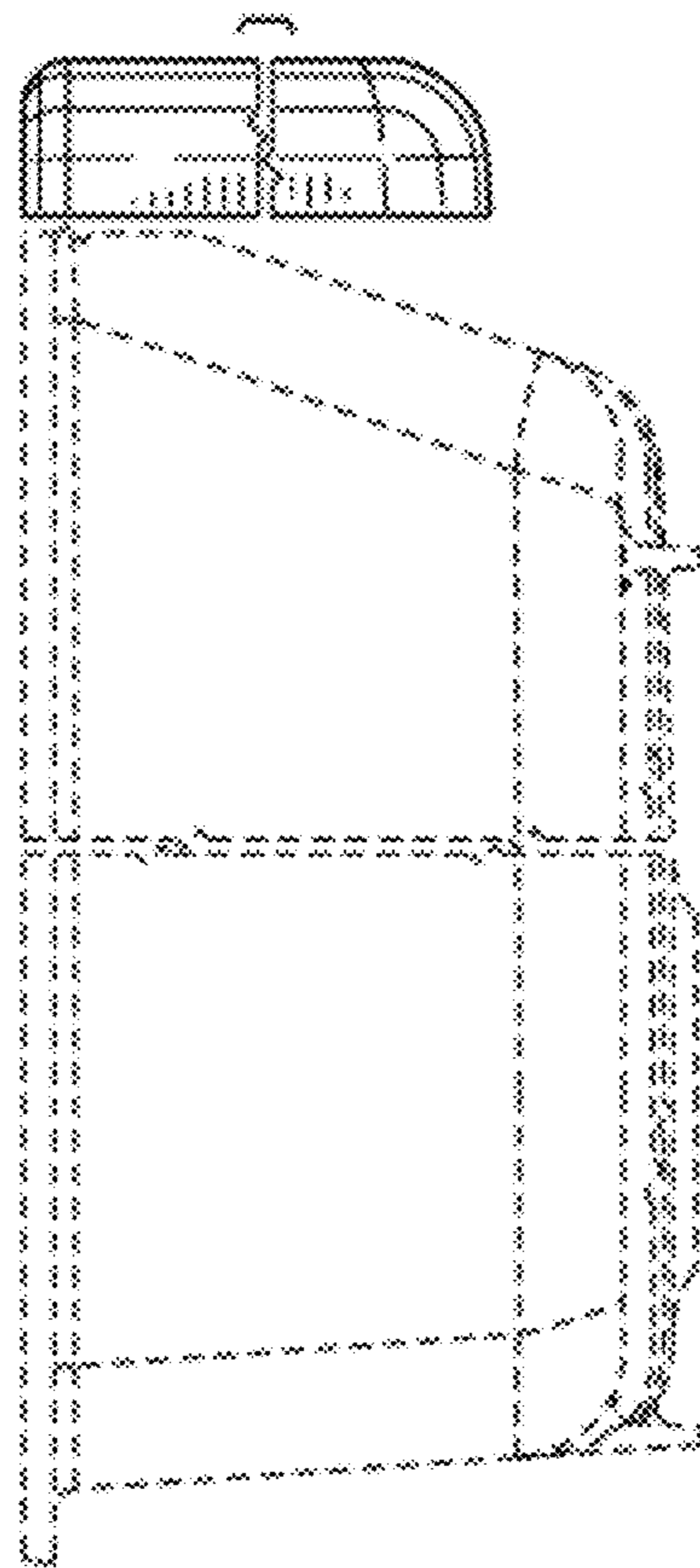


FIG. 6

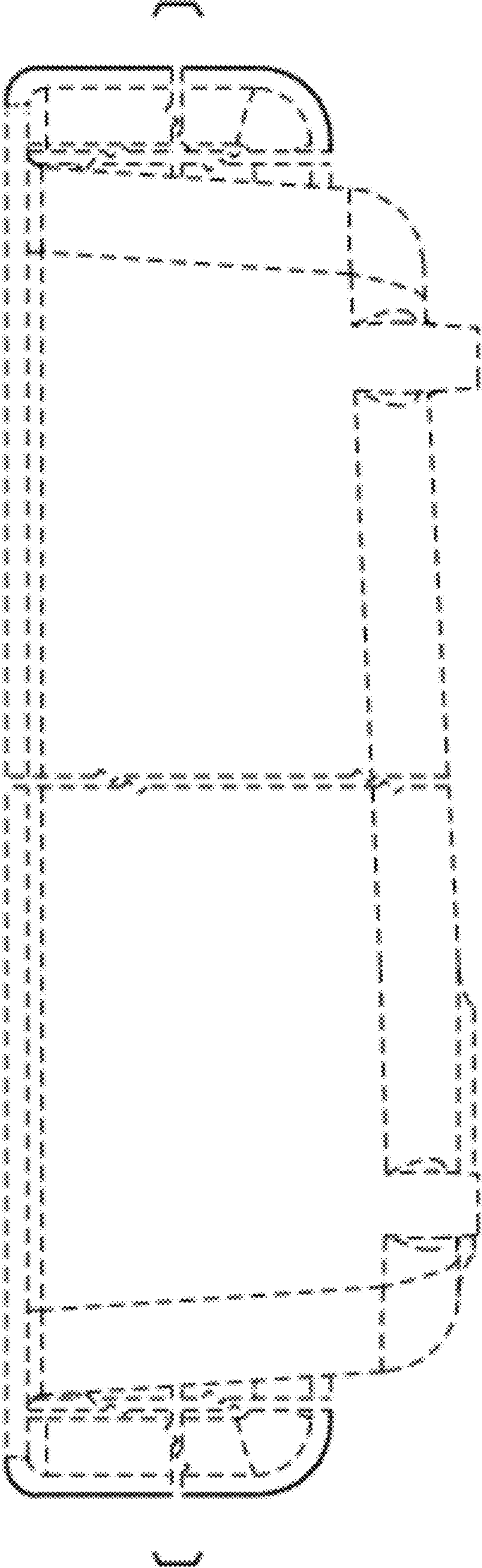


FIG. 7

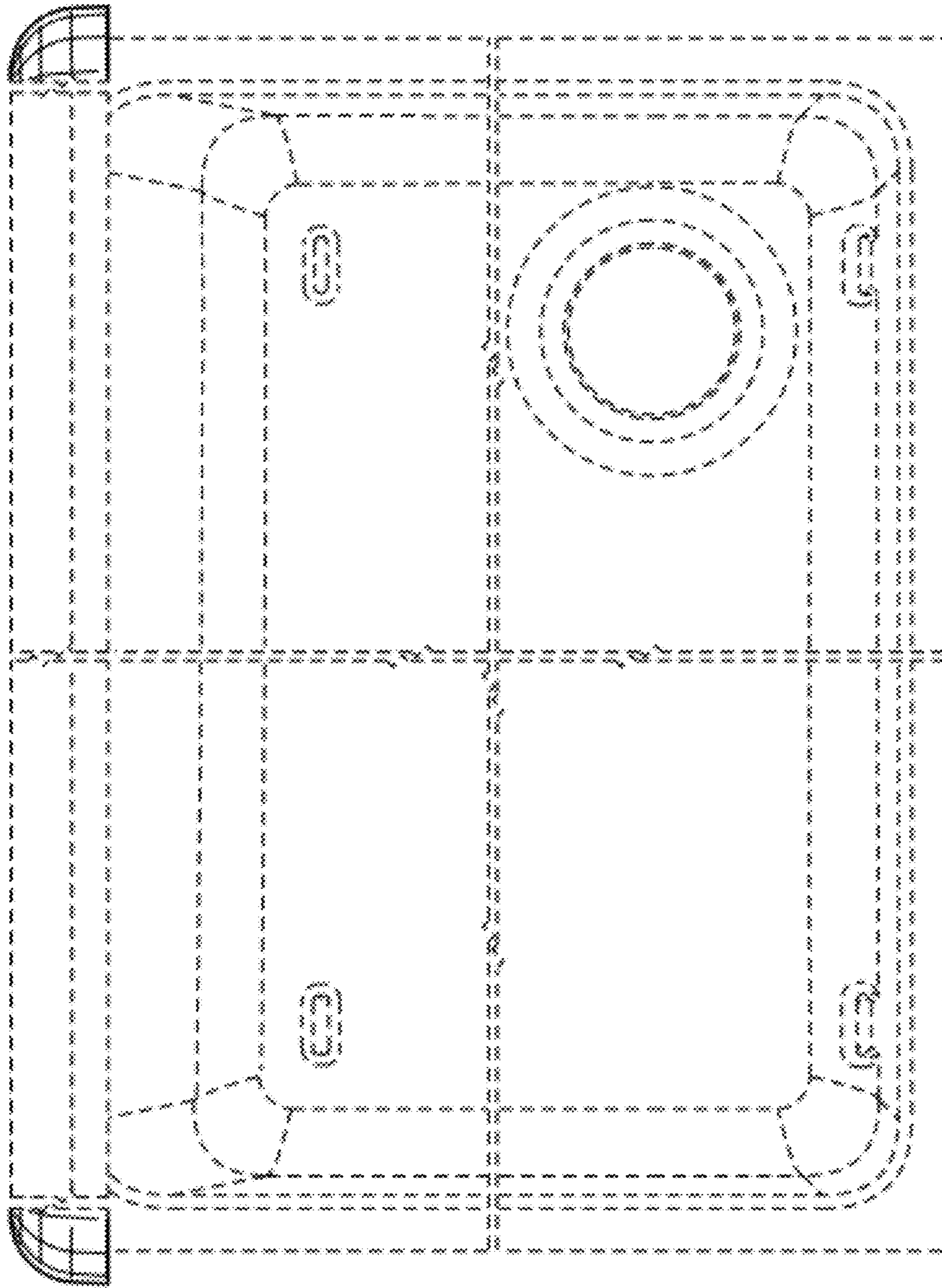


FIG. 8