



US00D662572S

(12) **United States Design Patent**
Marquis-Martin

(10) **Patent No.:** **US D662,572 S**
(45) **Date of Patent:** **** Jun. 26, 2012**

(54) **FLOW CONTROL ADAPTER ASSEMBLY**

(75) Inventor: **Guillaume Hugo Marquis-Martin**,
Montreal (CA)

(73) Assignee: **IPEX Technologies Inc.**, Mississauga,
Ontario

(**) Term: **14 Years**

(21) Appl. No.: **29/404,569**

(22) Filed: **Oct. 21, 2011**

(51) **LOC (9) Cl.** **23-01**

(52) **U.S. Cl.** **D23/259**

(58) **Field of Classification Search** D23/259-262;
D8/353-354; 417/360; 137/810, 812-813,
137/315.11

See application file for complete search history.

(56) **References Cited**

U.S. PATENT DOCUMENTS

D243,655 S *	3/1977	Matousek et al.	D8/354
D253,369 S *	11/1979	Koelble et al.	D23/313
D256,915 S *	9/1980	Needleman	D14/224
D371,138 S *	6/1996	Waskiewicz	D15/5
D436,926 S *	1/2001	Lew	D13/152

D442,197 S *	5/2001	Willet	D15/143
D490,686 S *	6/2004	Martin	D8/343
D508,198 S *	8/2005	Holger	D8/353
D533,049 S *	12/2006	Fabrizi	D8/353
D540,654 S *	4/2007	Aubert Capella	D8/353
D540,655 S *	4/2007	Fabrizi	D8/353

* cited by examiner

Primary Examiner — T. Chase Nelson

Assistant Examiner — Eric Goodman

(74) *Attorney, Agent, or Firm* — K&L Gates LLP

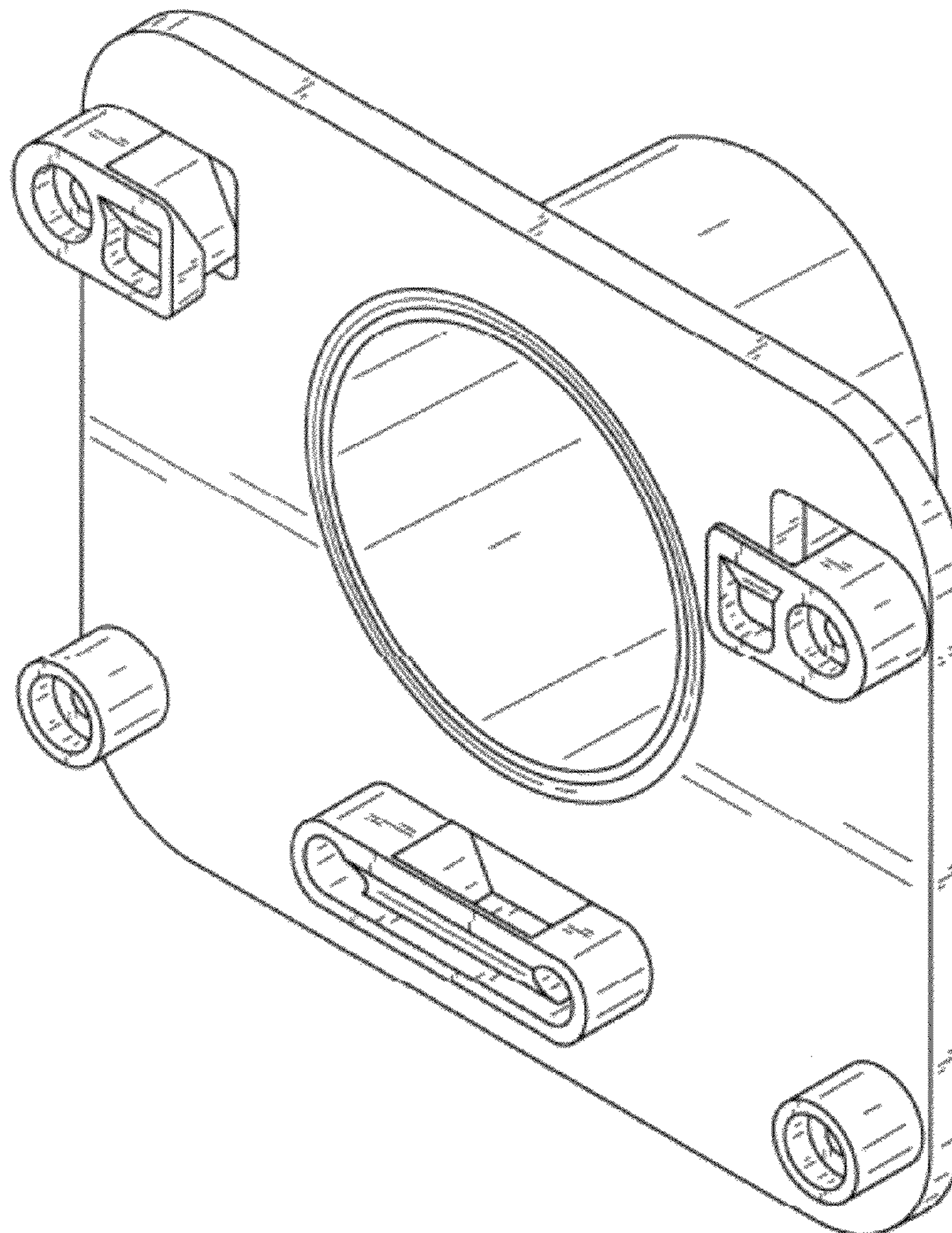
(57) **CLAIM**

The ornamental design for a flow control adapter assembly, as shown and described.

DESCRIPTION

FIG. 1 is a right perspective view of a flow control adapter assembly showing my new design; FIG. 2 is a front view thereof; FIG. 3 is a back view thereof; FIG. 4 is a left side view thereof; FIG. 5 is a right side view thereof; FIG. 6 is a top view thereof; and, FIG. 7 is a bottom view thereof.

1 Claim, 6 Drawing Sheets



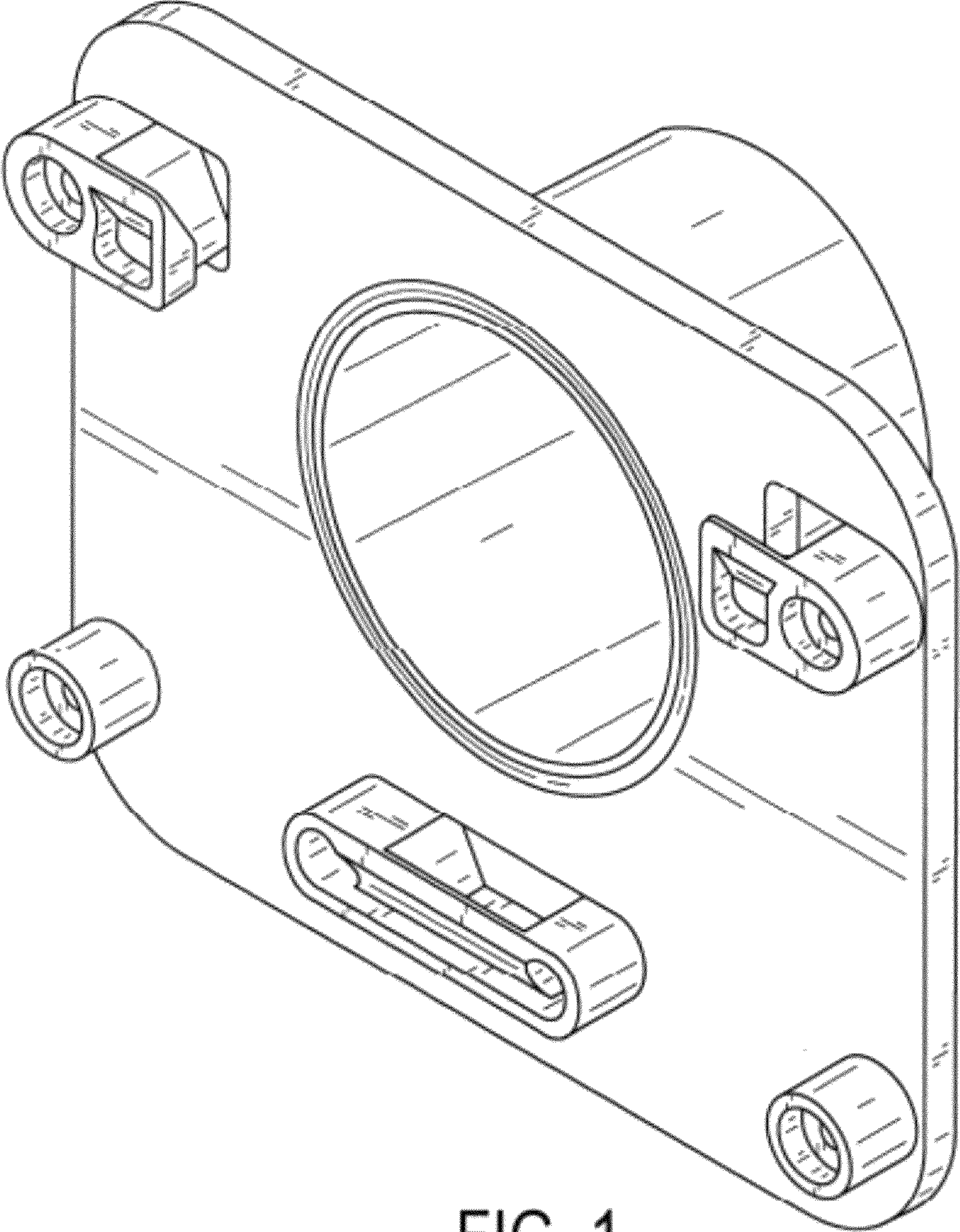


FIG. 1

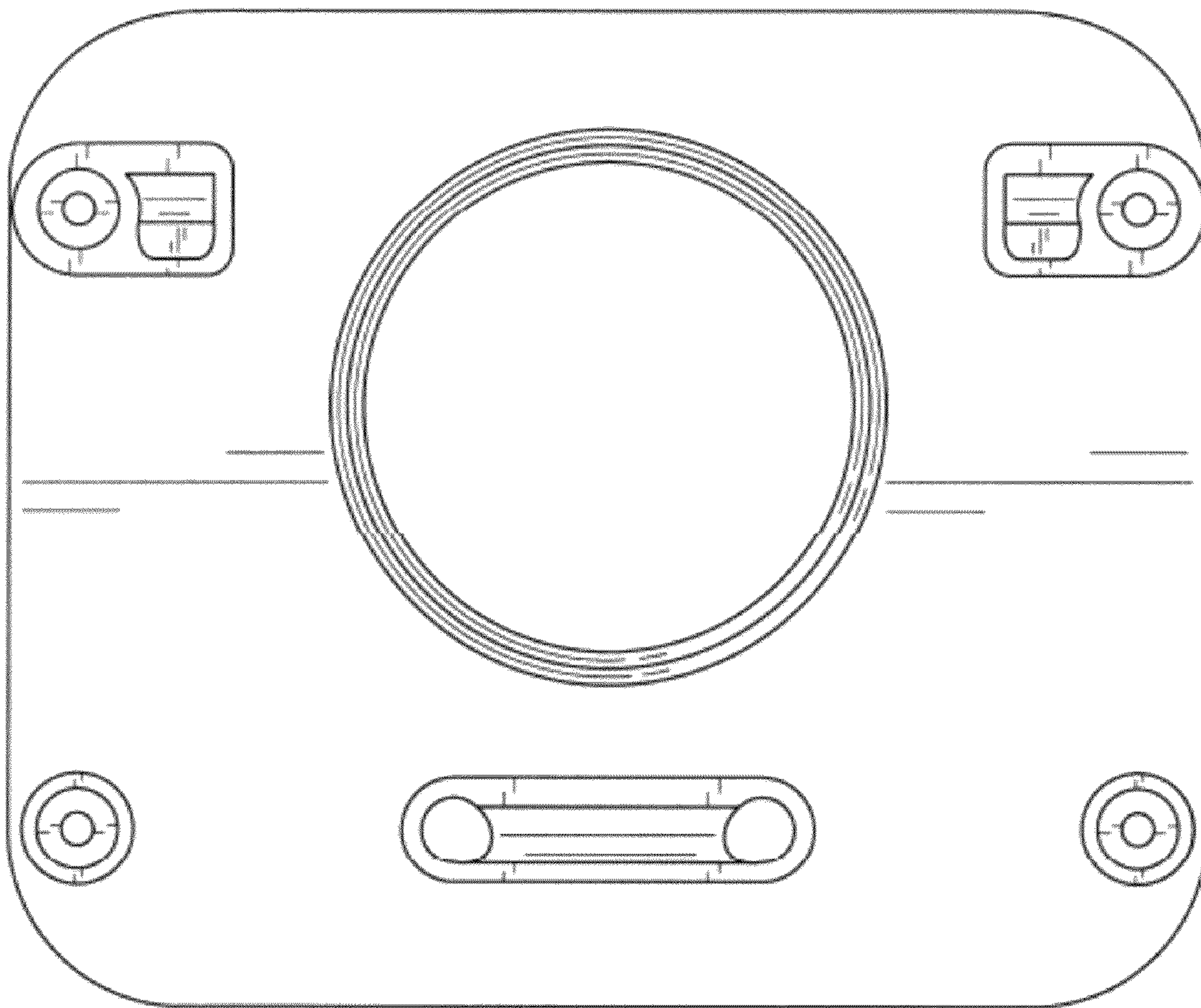


FIG. 2

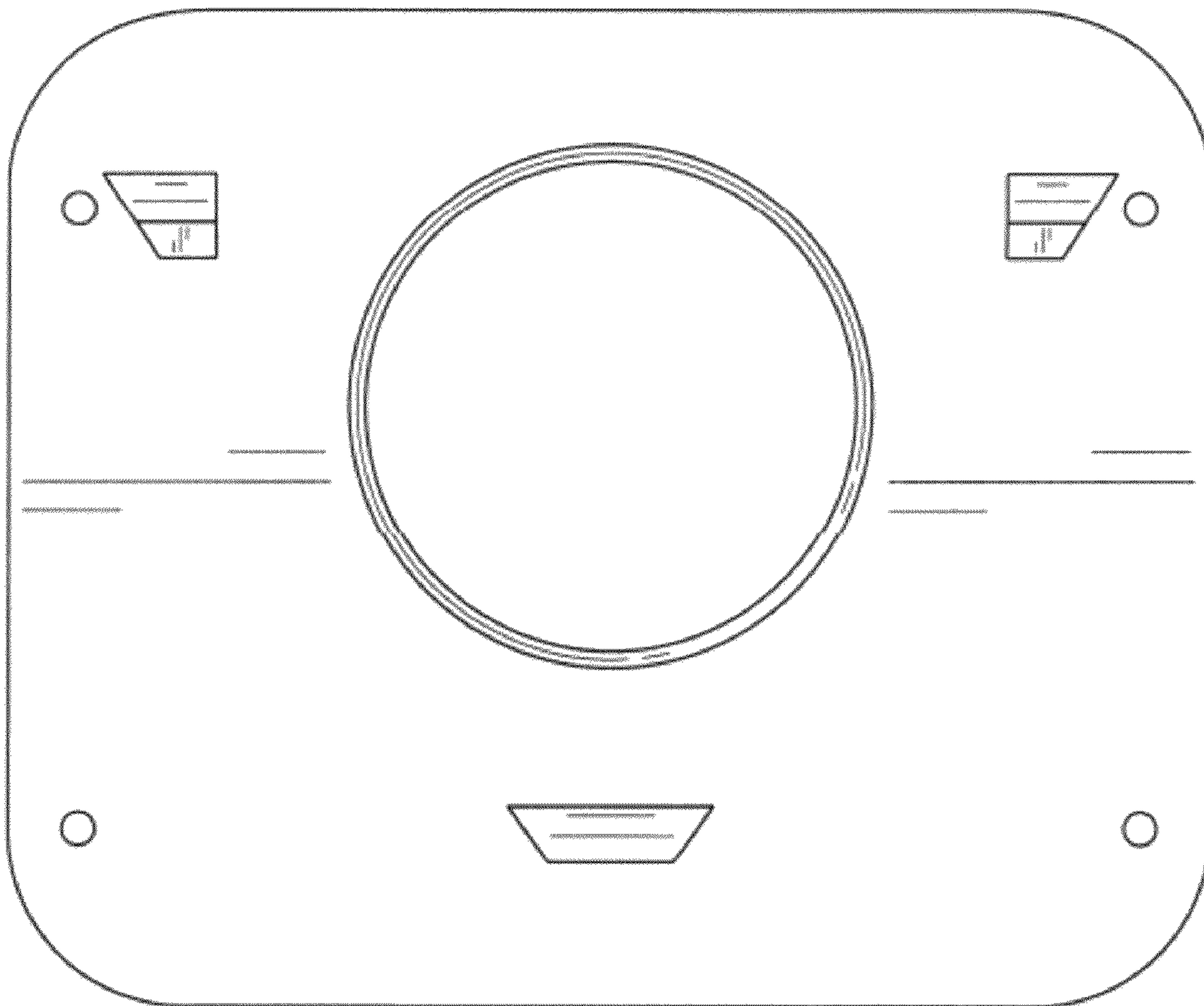


FIG. 3

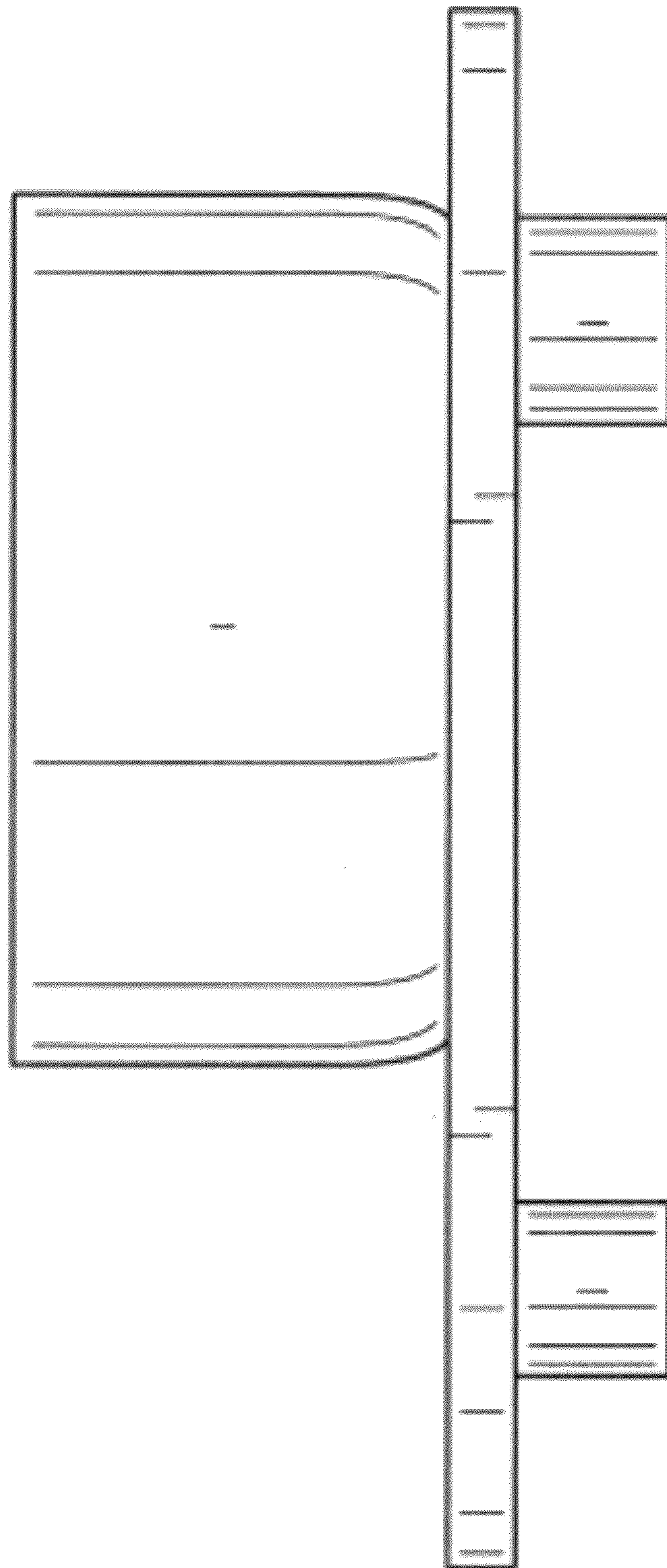


FIG. 4

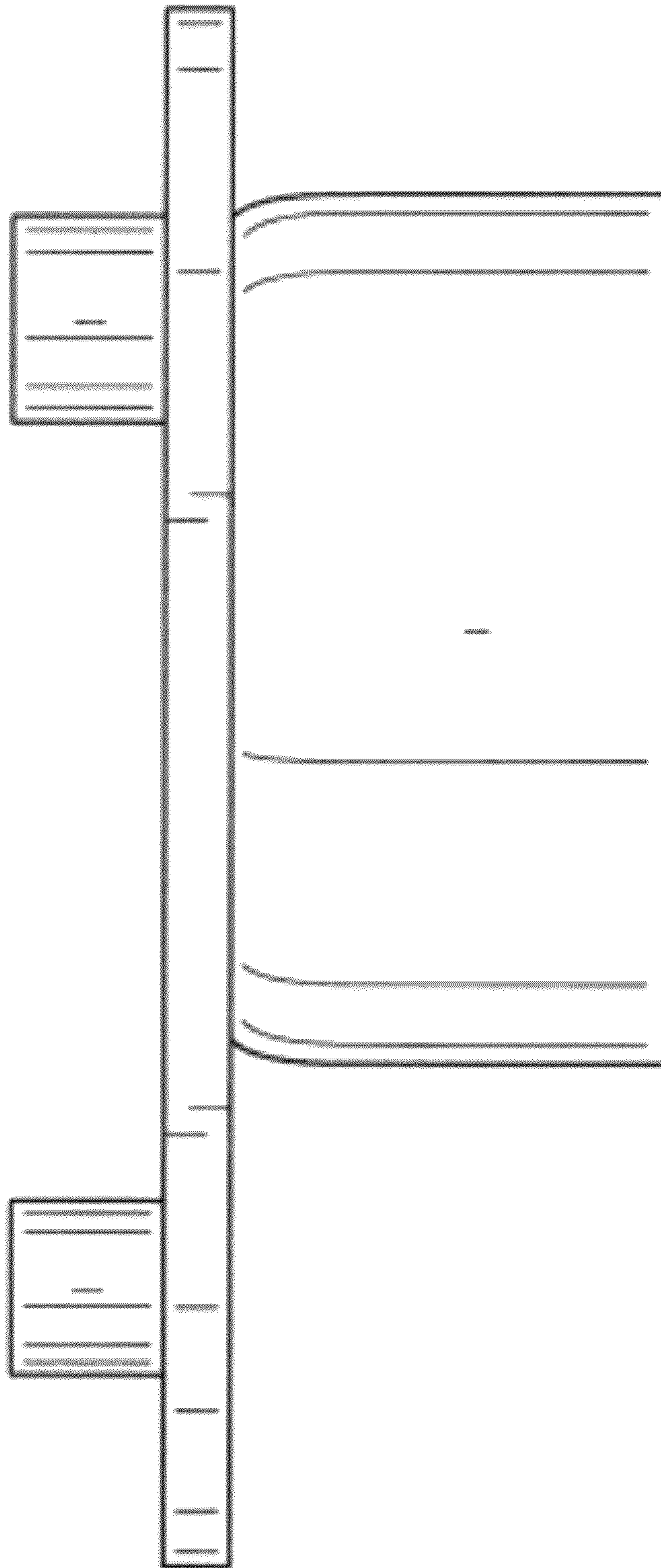


FIG. 5

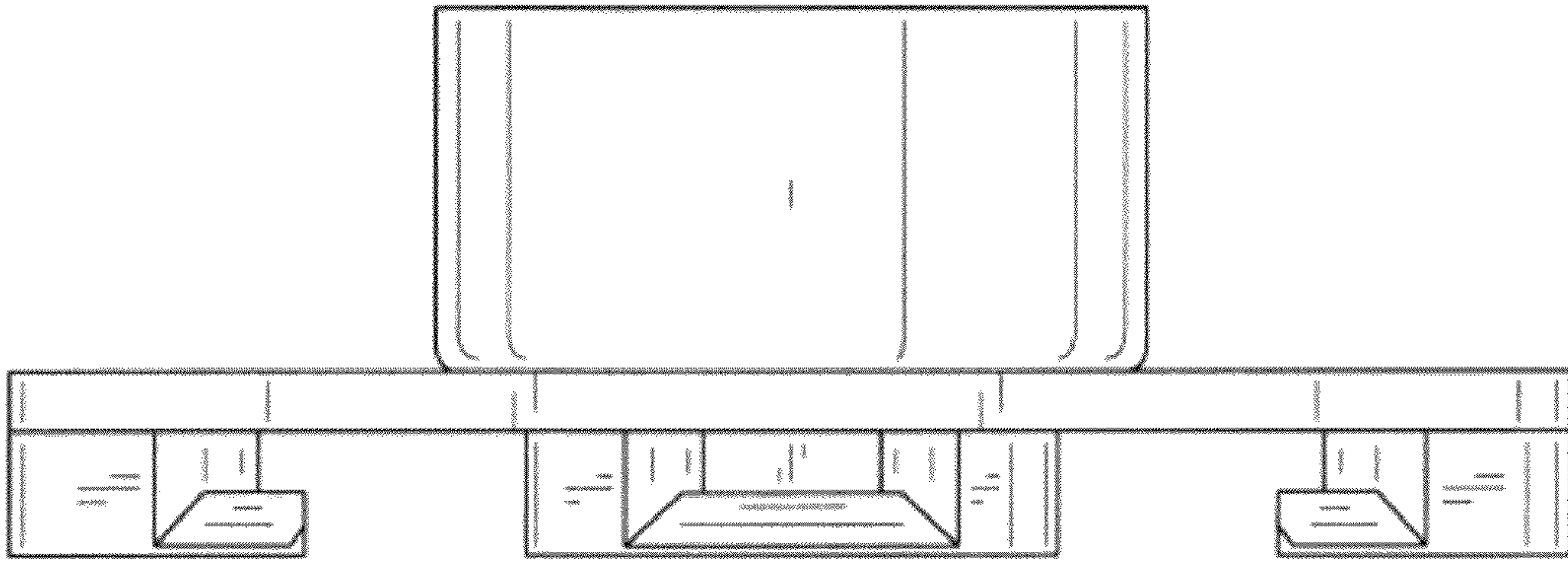


FIG. 6

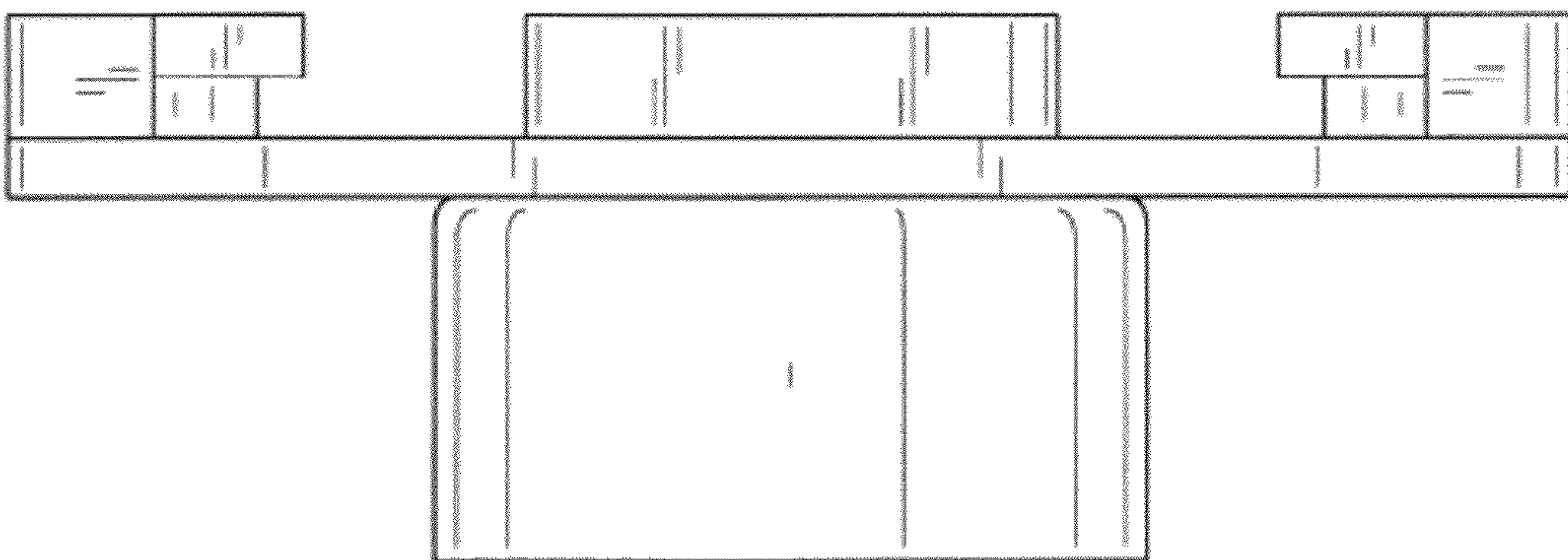


FIG. 7