



US00D662571S

(12) **United States Design Patent**
Corpuz, Jr.

(10) **Patent No.:** **US D662,571 S**

(45) **Date of Patent:** **** Jun. 26, 2012**

(54) **HANDLE**

(75) Inventor: **Roque M. Corpuz, Jr.**, Sheboygan, WI (US)

(73) Assignee: **Kohler Co.**, Kohler, WI (US)

(**) Term: **14 Years**

(21) Appl. No.: **29/410,365**

(22) Filed: **Jan. 6, 2012**

Related U.S. Application Data

(63) Continuation of application No. 29/369,862, filed on Sep. 14, 2010, now Pat. No. Des. 652,118.

(51) **LOC (9) Cl.** **23-01**

(52) **U.S. Cl.** **D23/252**

(58) **Field of Classification Search** D23/250, D23/252, 254, 238-243; 4/676-677; 137/801
See application file for complete search history.

(56) **References Cited**

U.S. PATENT DOCUMENTS

D521,354 S *	5/2006	Gilbert et al.	D8/308
D522,099 S *	5/2006	Fritz	D23/252
D524,421 S *	7/2006	Schaffeld et al.	D23/252
D560,942 S *	2/2008	Hanna	D6/542
D580,523 S *	11/2008	Hanna	D23/252
D652,118 S *	1/2012	Corpuz, Jr.	D23/252

* cited by examiner

Primary Examiner — Robert Delehanty

(74) *Attorney, Agent, or Firm* — Foley & Lardner LLP

(57) **CLAIM**

We claim the ornamental design for a handle, as shown and described.

DESCRIPTION

FIG. 1 is a top perspective view of an embodiment of the claimed design;

FIG. 2 is a top plan view of the claimed design of FIG. 1;

FIG. 3 is a left-side elevation view of the claimed design of FIG. 1;

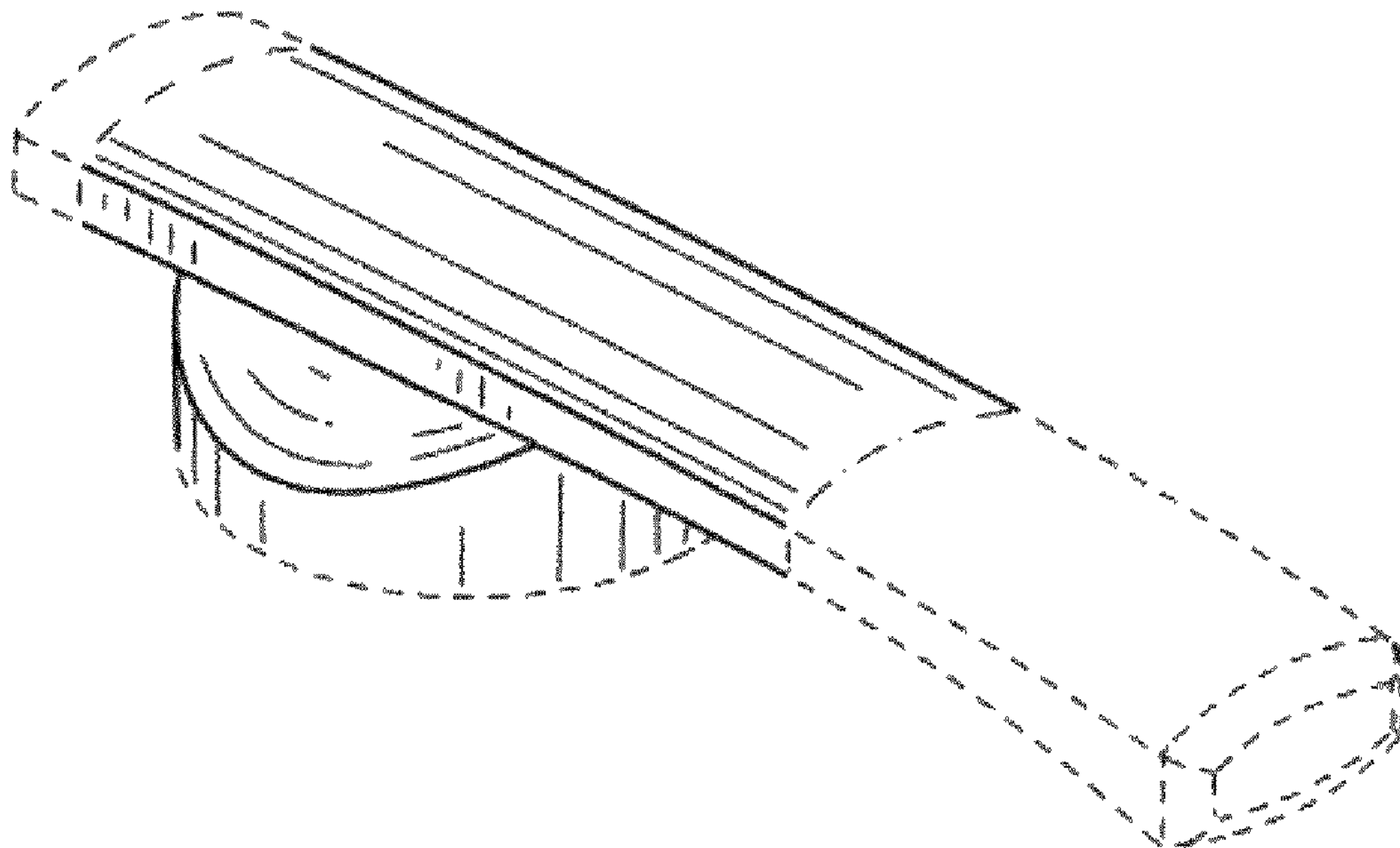
FIG. 4 is a front elevation view of the claimed design of FIG. 1;

FIG. 5 is a rear elevation view of the claimed design of FIG. 1; and,

FIG. 6 is a bottom plan view of the claimed design of FIG. 1.

The ornamental design which is claimed is shown in solid lines in the drawings. The broken lines in the drawings are for illustrative purposes only and form no part of the claimed design. The dash-dash broken lines in the drawings are for the purpose of illustrating unclaimed surfaces or environment of the design. The dot-dash-dot broken lines in the drawings defined unclaimed boundaries of the design.

1 Claim, 2 Drawing Sheets



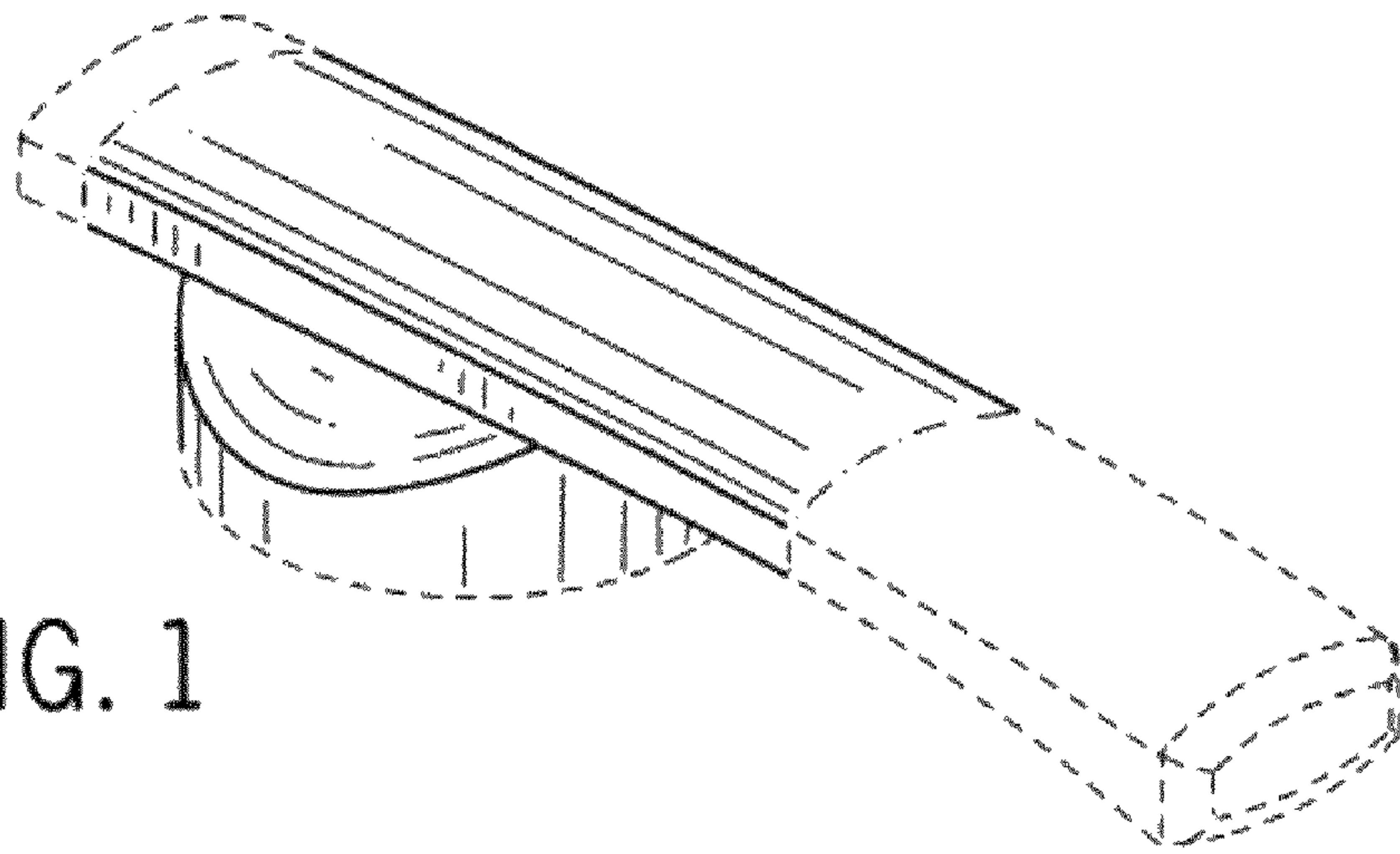


FIG. 1

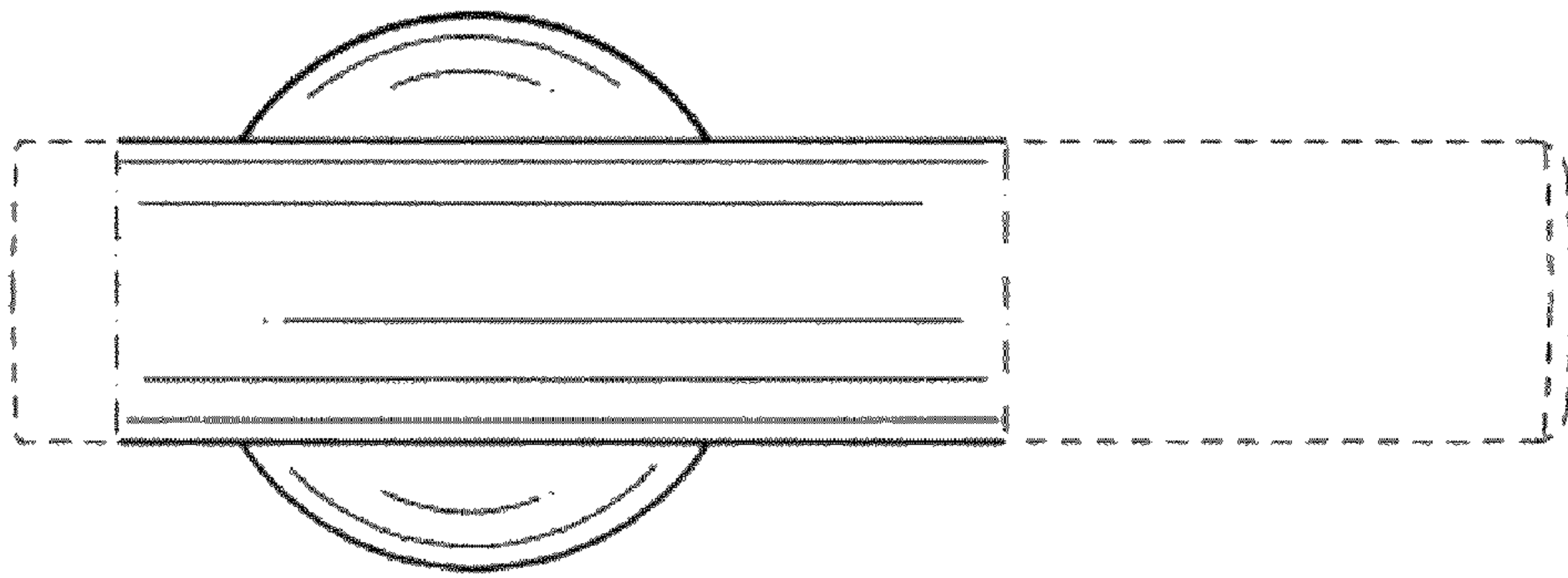


FIG. 2

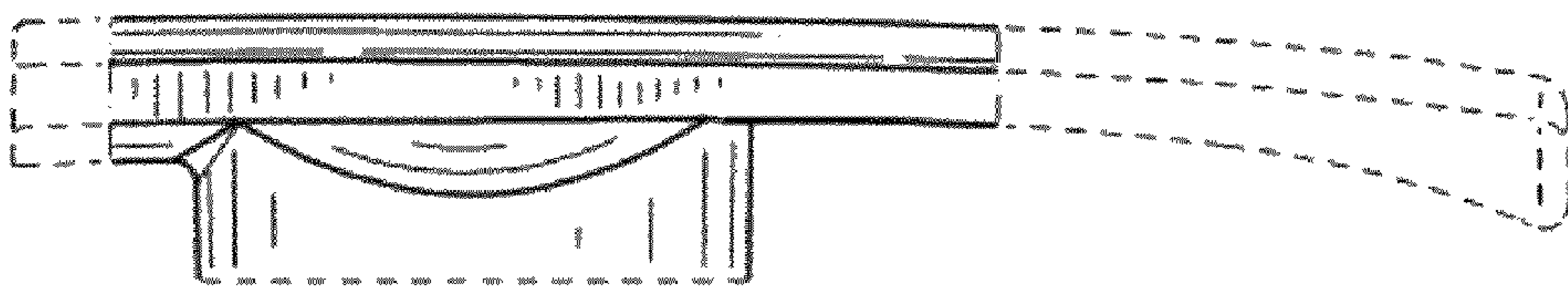


FIG. 3

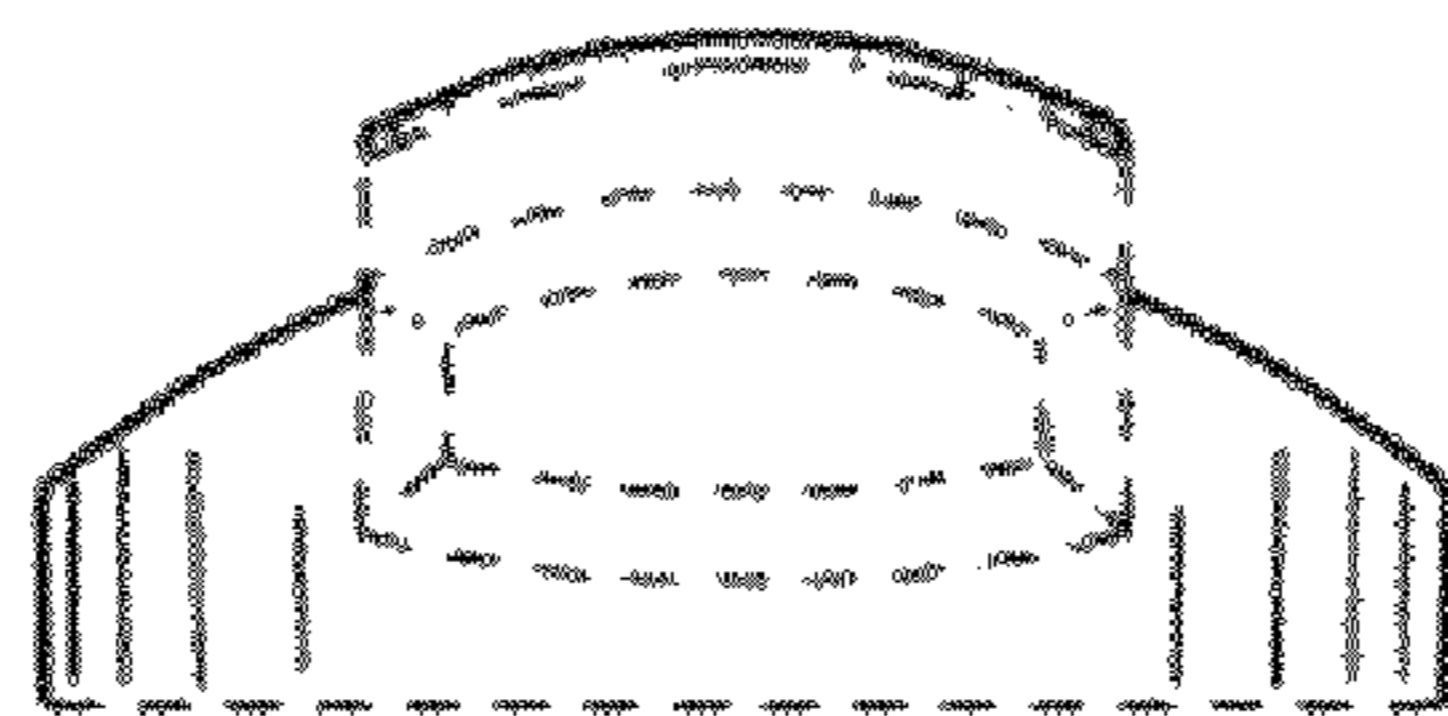


FIG. 4



FIG. 5

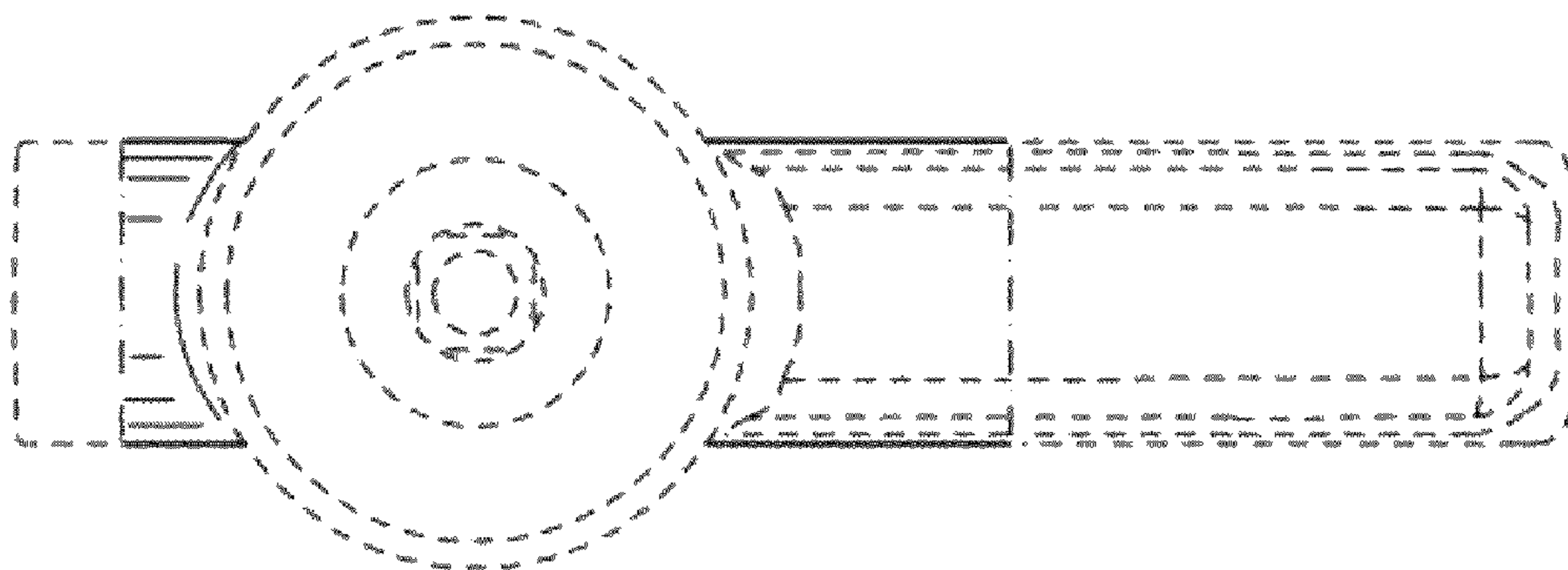


FIG. 6