



US00D662568S

(12) **United States Design Patent**
Zeng

(10) **Patent No.:** **US D662,568 S**
(45) **Date of Patent:** **** Jun. 26, 2012**

(54) **UV STABILIZER**

(75) Inventor: **Weiyang Zeng**, Guangdong (CN)

(73) Assignee: **Shenzhen Lenyo Aquatics Co., Ltd.**,
Shenzhen, Guangdong (CN)

(**) Term: **14 Years**

(21) Appl. No.: **29/397,645**

(22) Filed: **Jul. 19, 2011**

(30) **Foreign Application Priority Data**

Jan. 30, 2011 (CN) 2011 3 0019823

(51) **LOC (9) Cl.** **23-01**

(52) **U.S. Cl.** **D23/209; D23/208**

(58) **Field of Classification Search** D23/207-209,
D23/210; 210/192; 250/435, 436; 422/186.3
See application file for complete search history.

(56) **References Cited**

U.S. PATENT DOCUMENTS

D350,181 S * 8/1994 MacNeal D23/207
D351,893 S * 10/1994 Whitesel D23/207
5,622,622 A * 4/1997 Johnson 210/192

6,099,799 A * 8/2000 Anderson 210/748.11
D454,614 S * 3/2002 Marston D23/207
6,583,422 B2 * 6/2003 Boehme 250/432 R
6,657,205 B1 * 12/2003 Wong 250/438
6,683,313 B2 * 1/2004 Chen et al. 250/455.11
7,241,380 B2 * 7/2007 Reiling 210/170.08
D561,300 S * 2/2008 Baba D23/209
7,550,089 B2 * 6/2009 Kuhlmann et al. 210/748.11

* cited by examiner

Primary Examiner — Robin V Webster

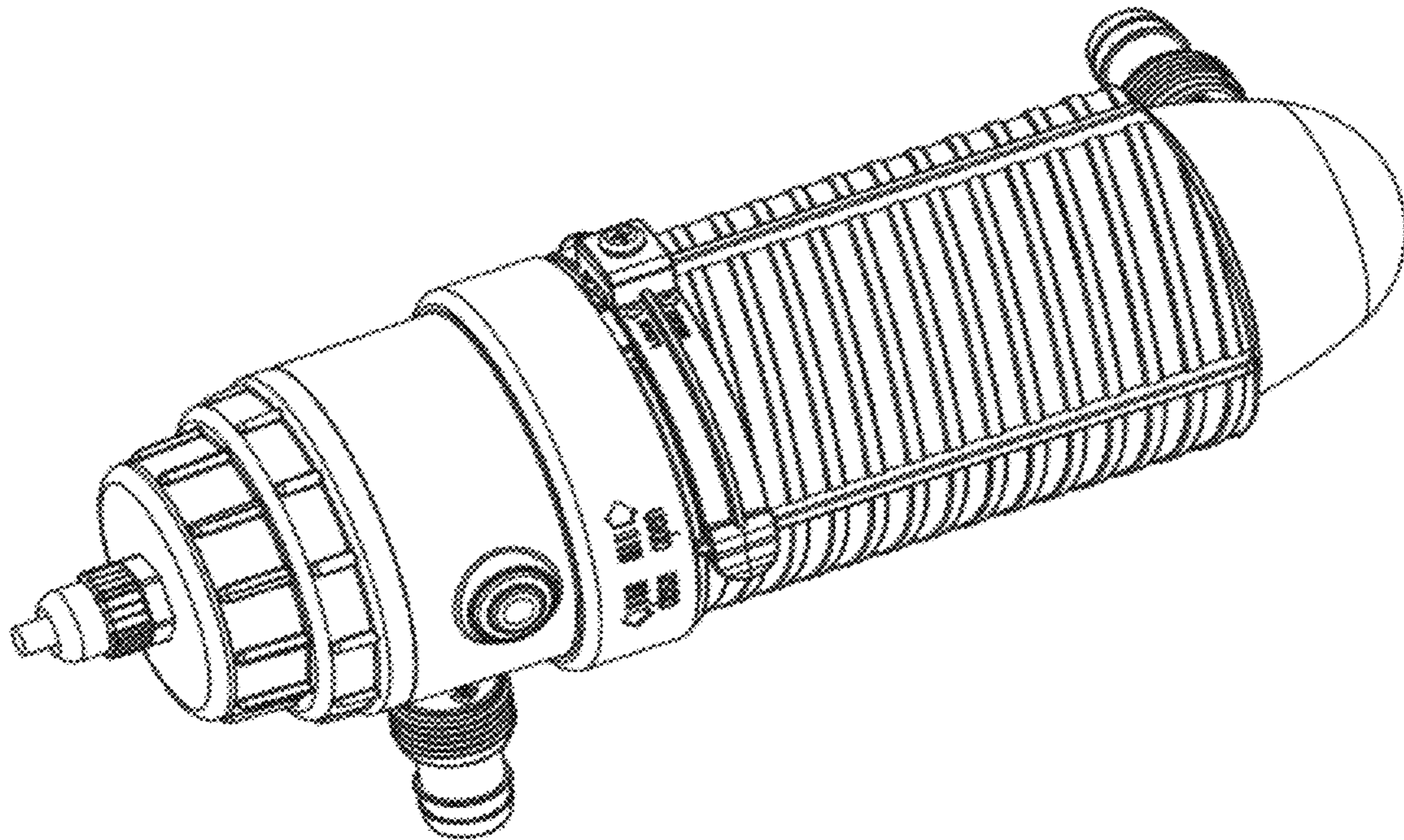
(57) **CLAIM**

The ornamental design for a UV stabilizer, as shown and described.

DESCRIPTION

FIG. 1 is a perspective bottom view of a UV stabilizer showing my new design;
FIG. 2 is front view thereof;
FIG. 3 is a top elevation view thereof;
FIG. 4 is rear elevation view thereof;
FIG. 5 is a right side elevation view thereof;
FIG. 6 is a left side elevation view thereof;
FIG. 7 is another perspective plan view thereof; and,
FIG. 8 is another perspective plan view thereof.

1 Claim, 4 Drawing Sheets



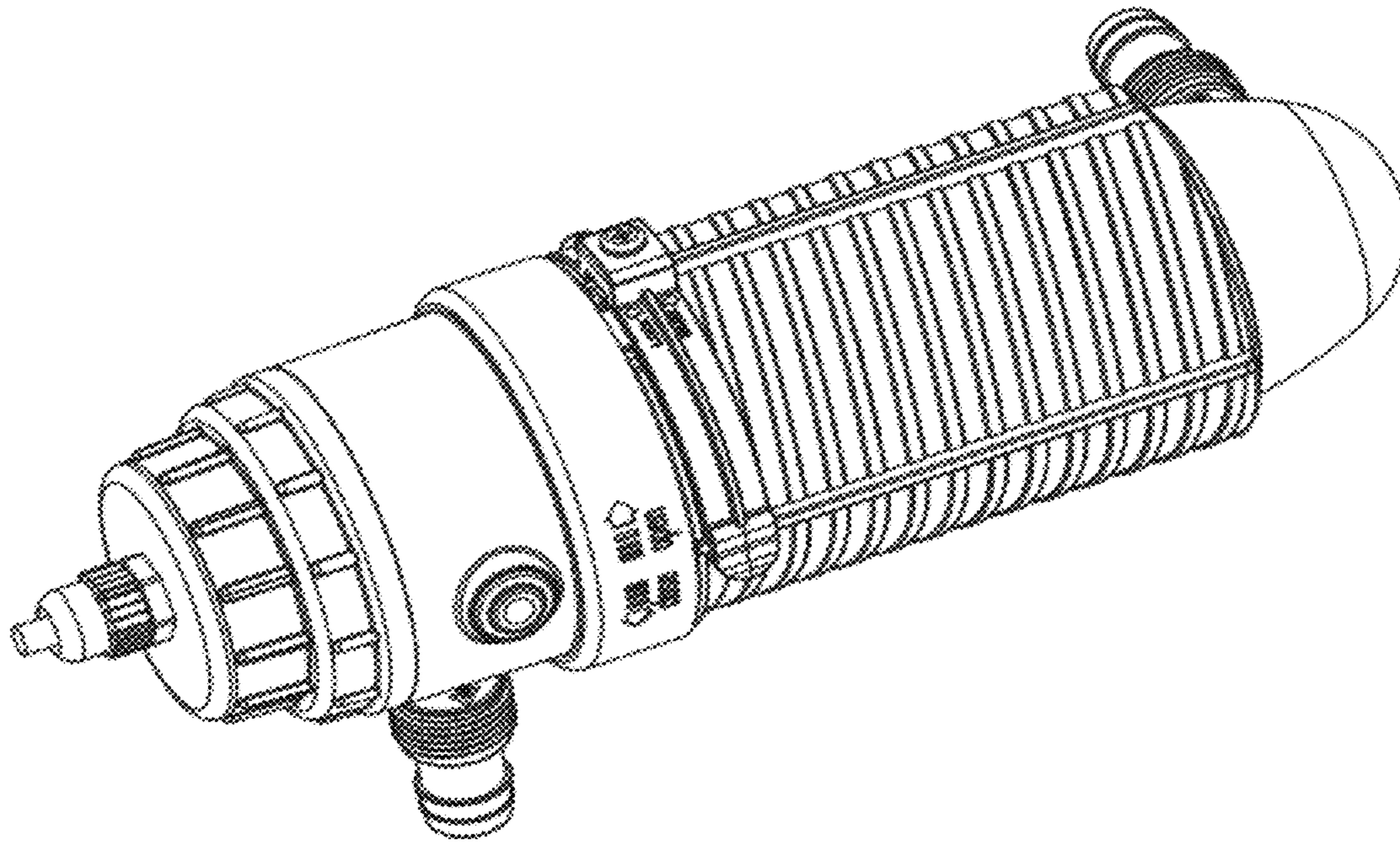


Fig. 1

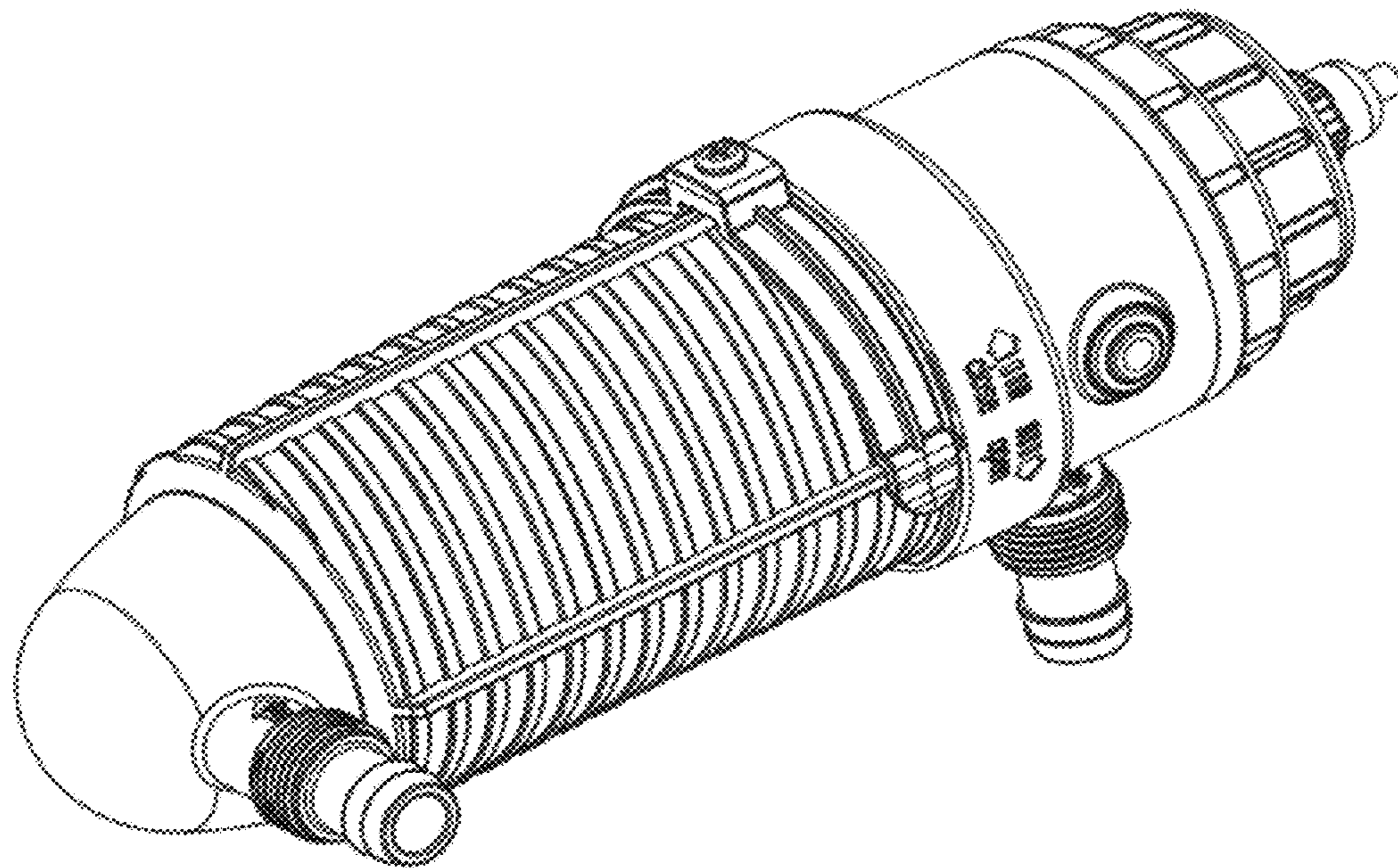


Fig. 2

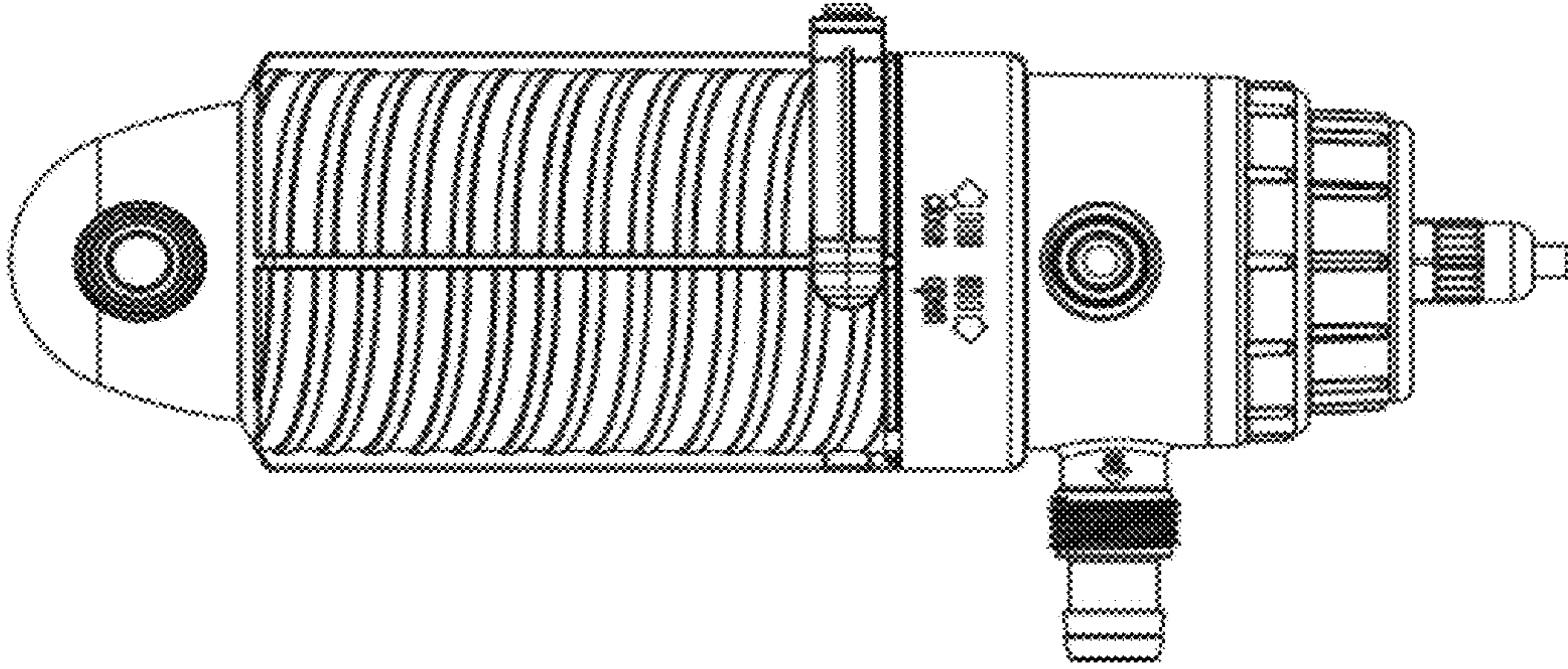


Fig.3

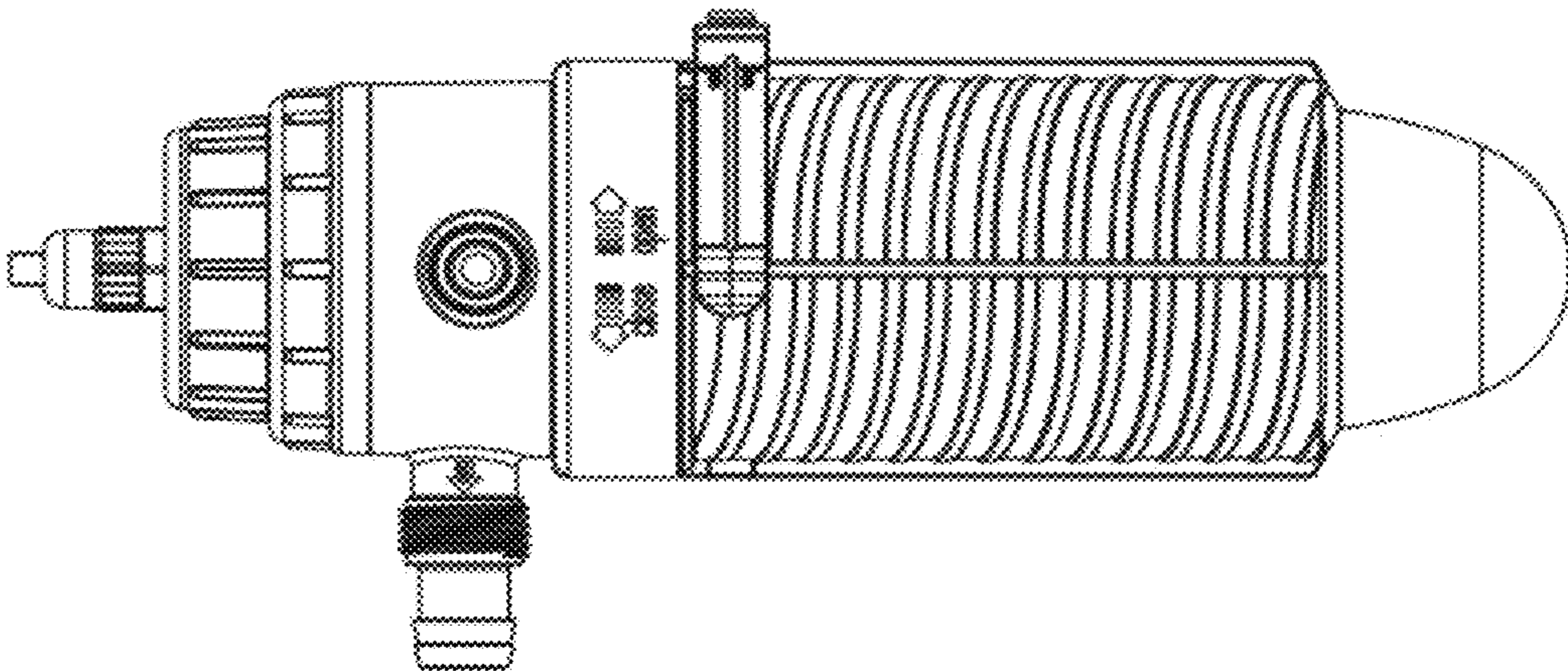


Fig.4

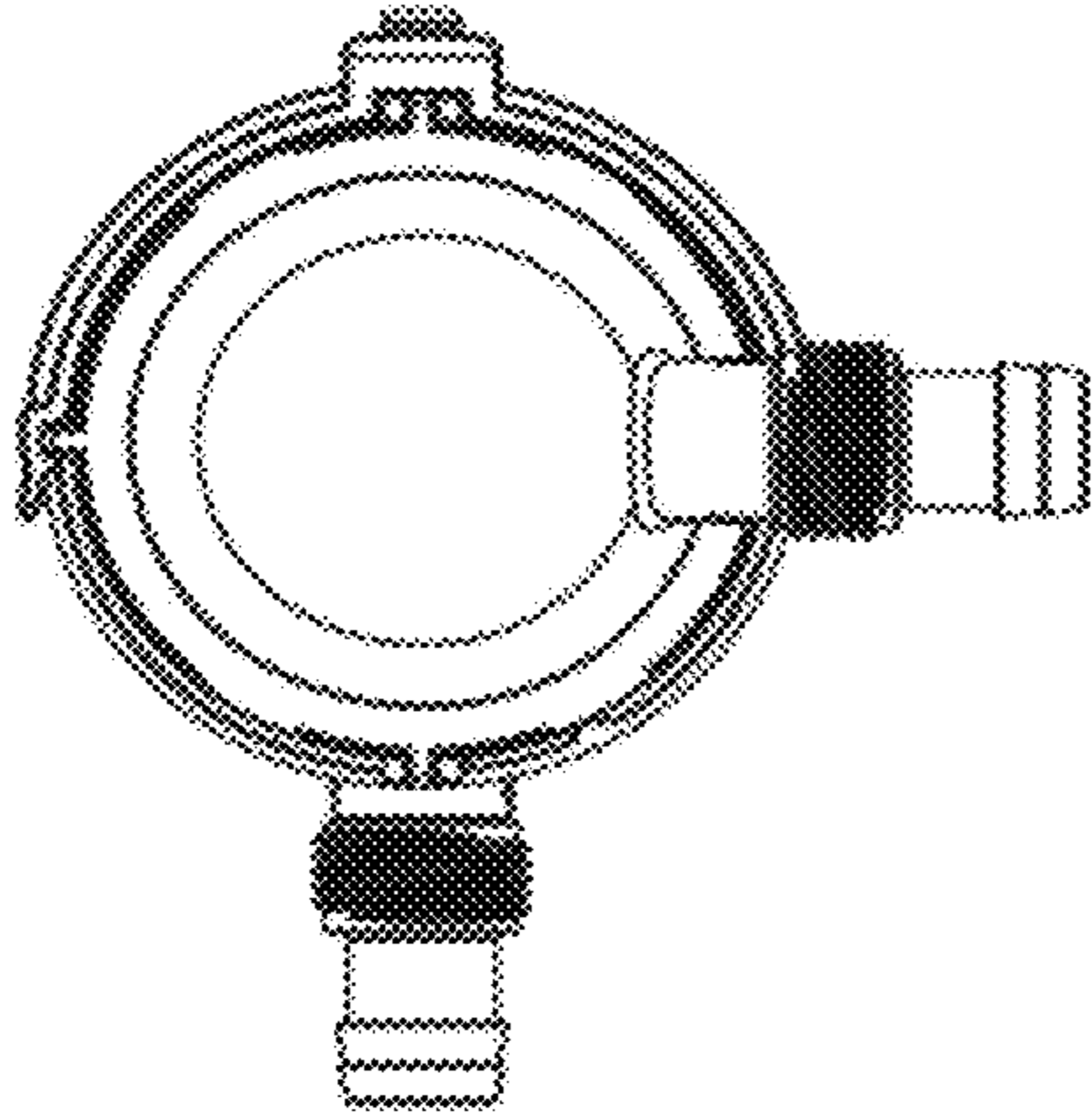


Fig. 5

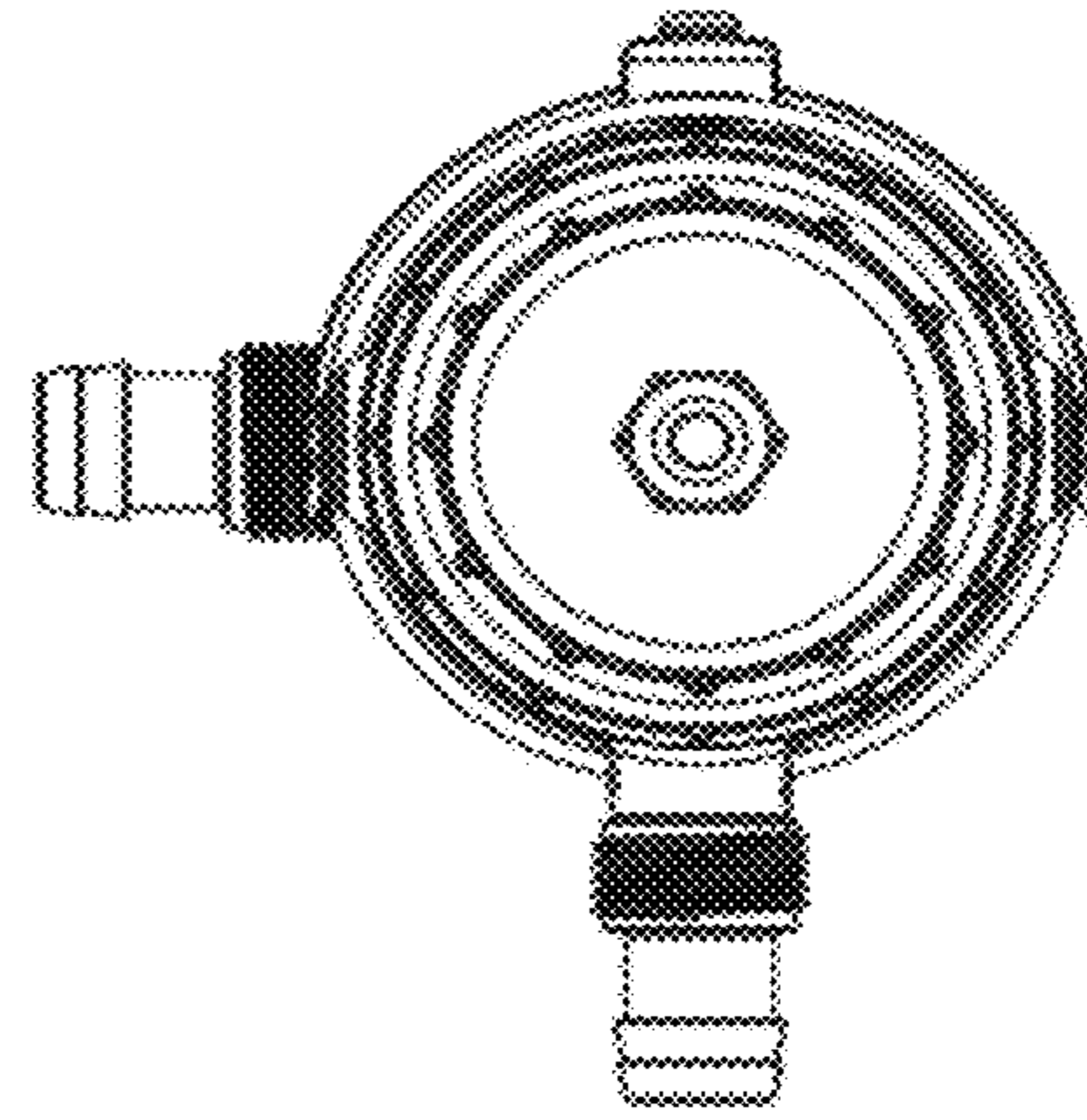


Fig. 6

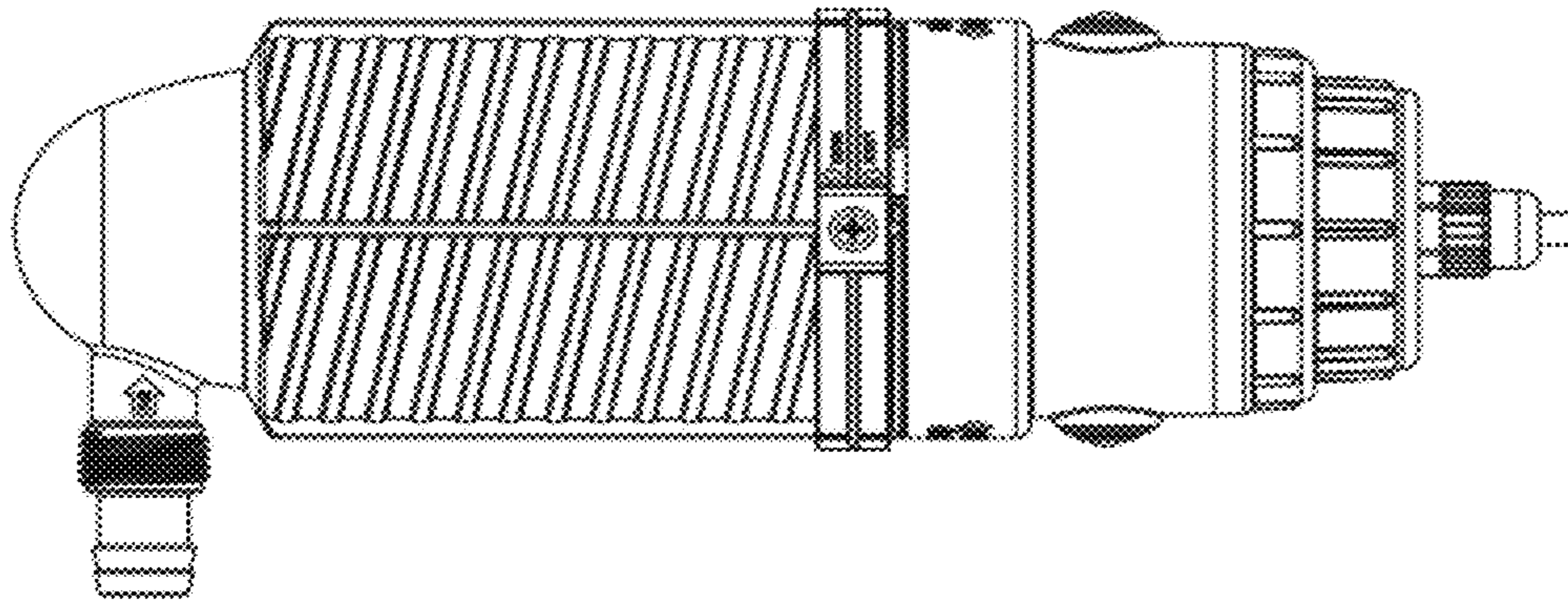


Fig. 7

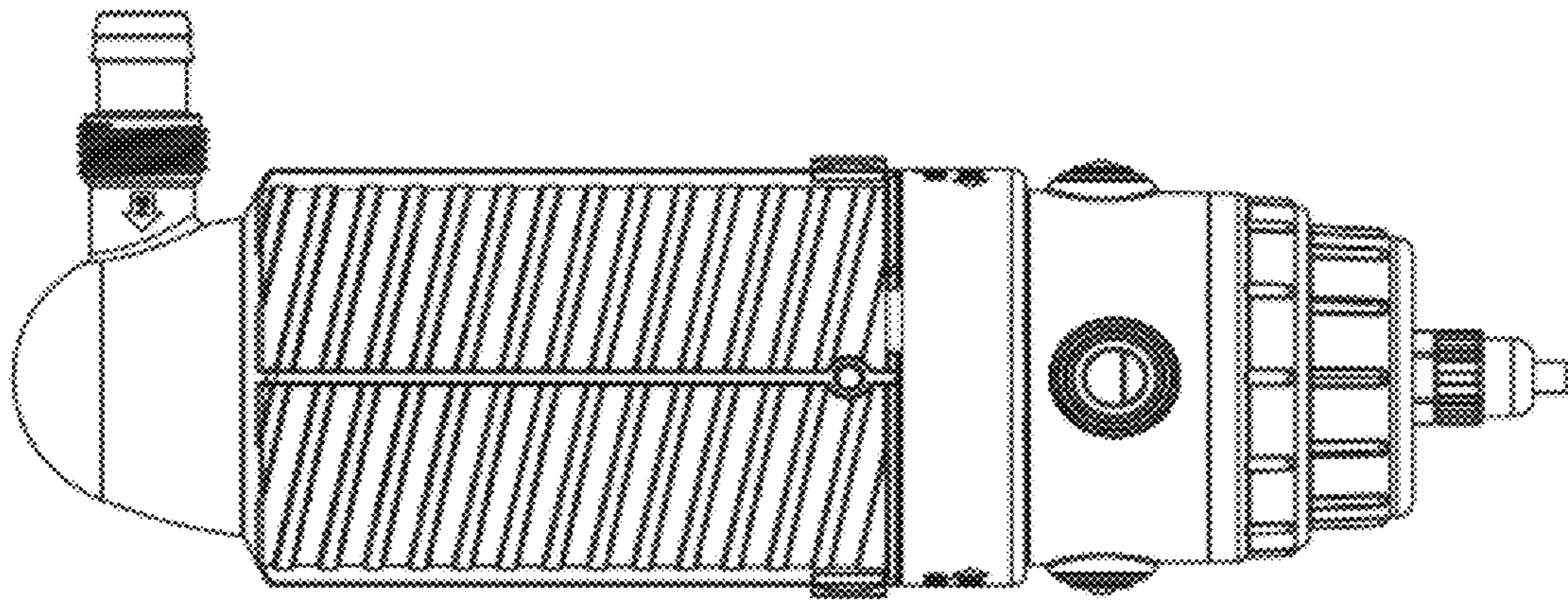


Fig. 8