

US00D662566S

(12) **United States Design Patent**
Estes

(10) **Patent No.:** **US D662,566 S**
(45) **Date of Patent:** **** Jun. 26, 2012**

(54) **HOLOGRAPHIC WEAPON SIGHT**

(75) Inventor: **Todd K. Estes**, Milford, MI (US)
(73) Assignee: **L-3 Communication Eotech, Inc.**, Ann Arbor, MI (US)
(**) Term: **14 Years**
(21) Appl. No.: **29/365,802**
(22) Filed: **Jul. 15, 2010**
(51) **LOC (9) Cl.** **22-01**
(52) **U.S. Cl.** **D22/109**
(58) **Field of Classification Search** D22/100–116;
D21/572–573; 124/66–67, 74; 42/51, 71.01,
42/75.01, 75.02, 90, 94; 362/110; 89/40.06,
89/37.04, 33.04, 191.01
See application file for complete search history.

(56) **References Cited**

U.S. PATENT DOCUMENTS

3,165,836	A *	1/1965	Magardo	42/137
5,483,362	A	1/1996	Tai et al.	
6,327,806	B1 *	12/2001	Paige	42/113
6,490,060	B1	12/2002	Tai et al.	
7,145,703	B2	12/2006	Sieczak et al.	
7,210,261	B2	5/2007	Arachequene	
7,225,576	B2 *	6/2007	Ballard	42/118
7,225,578	B2 *	6/2007	Tai	42/132
7,552,558	B1 *	6/2009	Ballard	42/111
2006/0162226	A1 *	7/2006	Tai	42/132
2008/0104875	A1	5/2008	Mayerie	
2009/0113778	A1	5/2009	Paterson	

FOREIGN PATENT DOCUMENTS

EP 2056058 A2 6/2009

OTHER PUBLICATIONS

“Worlds First HOLO Graphic Sight” EOTech.
“Technical Manual Operator and Field Maintenance Manual for EOLAD (Laser Aiming Device with EoTech Holographic Weapons Sight”); Laser Devices and L3 Communications.
“EOTech Catalog for Holographic Weapons Sights and Night Vision Products”; EOTech and L3 Communications.
“L-3 EOTech Magnifier User Manual”; L3 communications EOTech.
“HWS Benefits” <http://www.eotech-inc.com/page.php?id=9>.
“HWS Features” <http://www.eotech-inc.com/features.php>.
“HWS Night Vision Compatibility” <http://www.eotech-inc.com/page.php?id=10>.
“Operators Manual for XPS3 and XPS2 Holographic Weapon Sight (HWS)” L3 communications EOTech.

* cited by examiner

Primary Examiner — Michael A Pratt
(74) *Attorney, Agent, or Firm* — Brooks Kushman

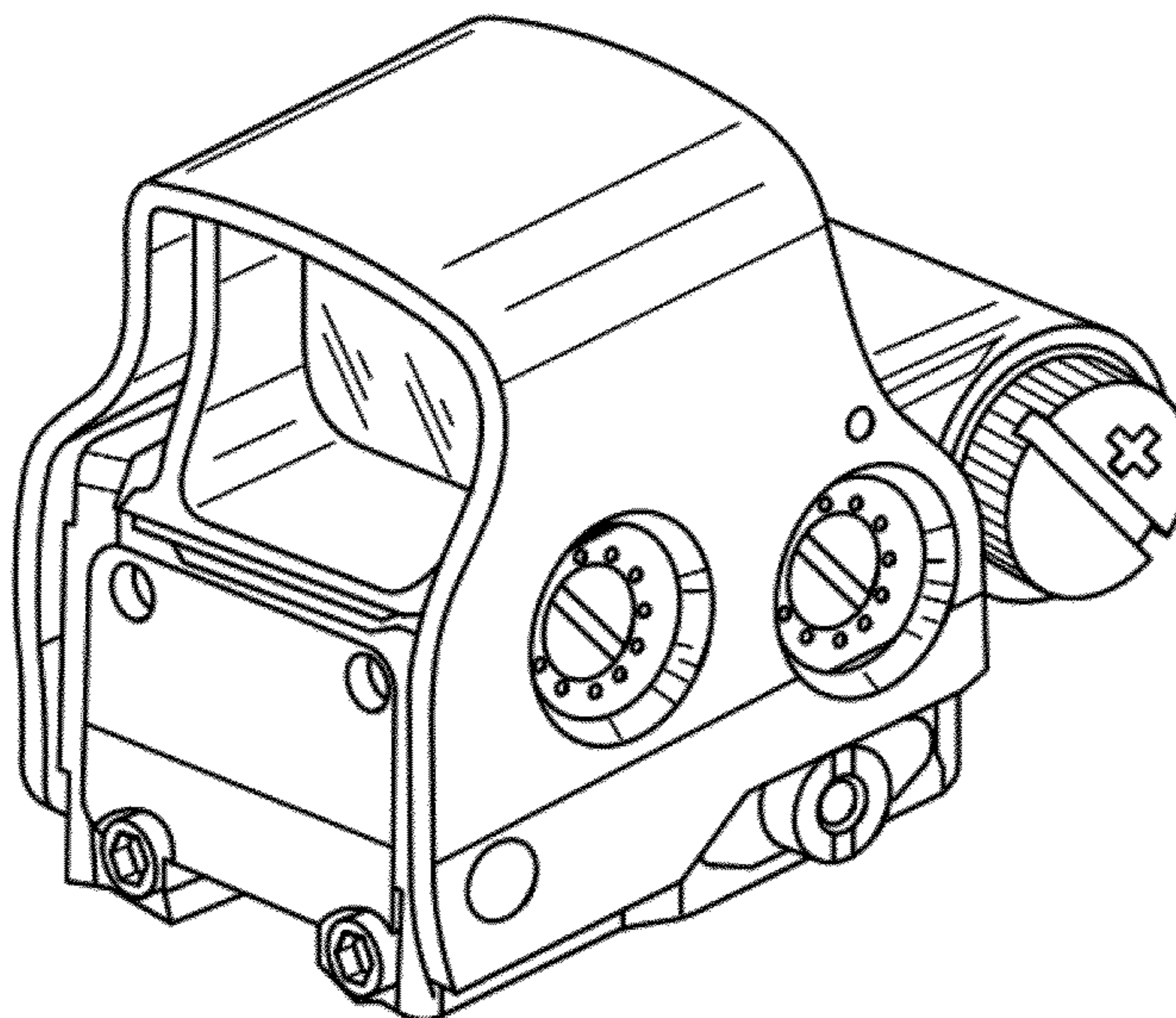
(57) **CLAIM**

The ornamental design for a holographic weapon sight, as shown and described.

DESCRIPTION

FIG. 1 is a perspective view of the holographic weapon sight of present invention;
FIG. 2 is a front elevational view;
FIG. 3 is a rear side elevational view;
FIG. 4 is a top plan view;
FIG. 5 is a right side elevational view;
FIG. 6 is a left side elevational view; and,
FIG. 7 is a bottom plan view.

1 Claim, 4 Drawing Sheets



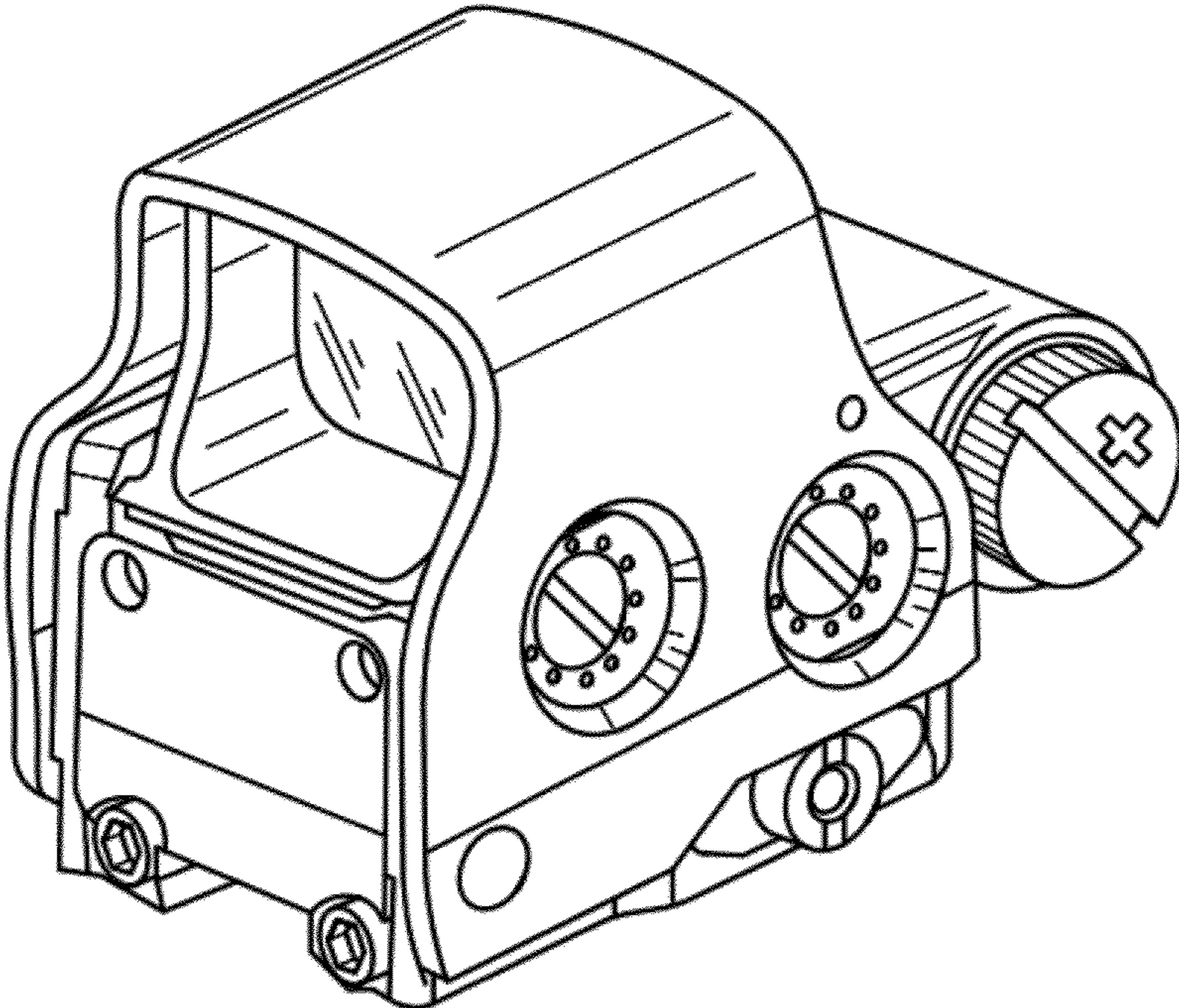


FIG. 1

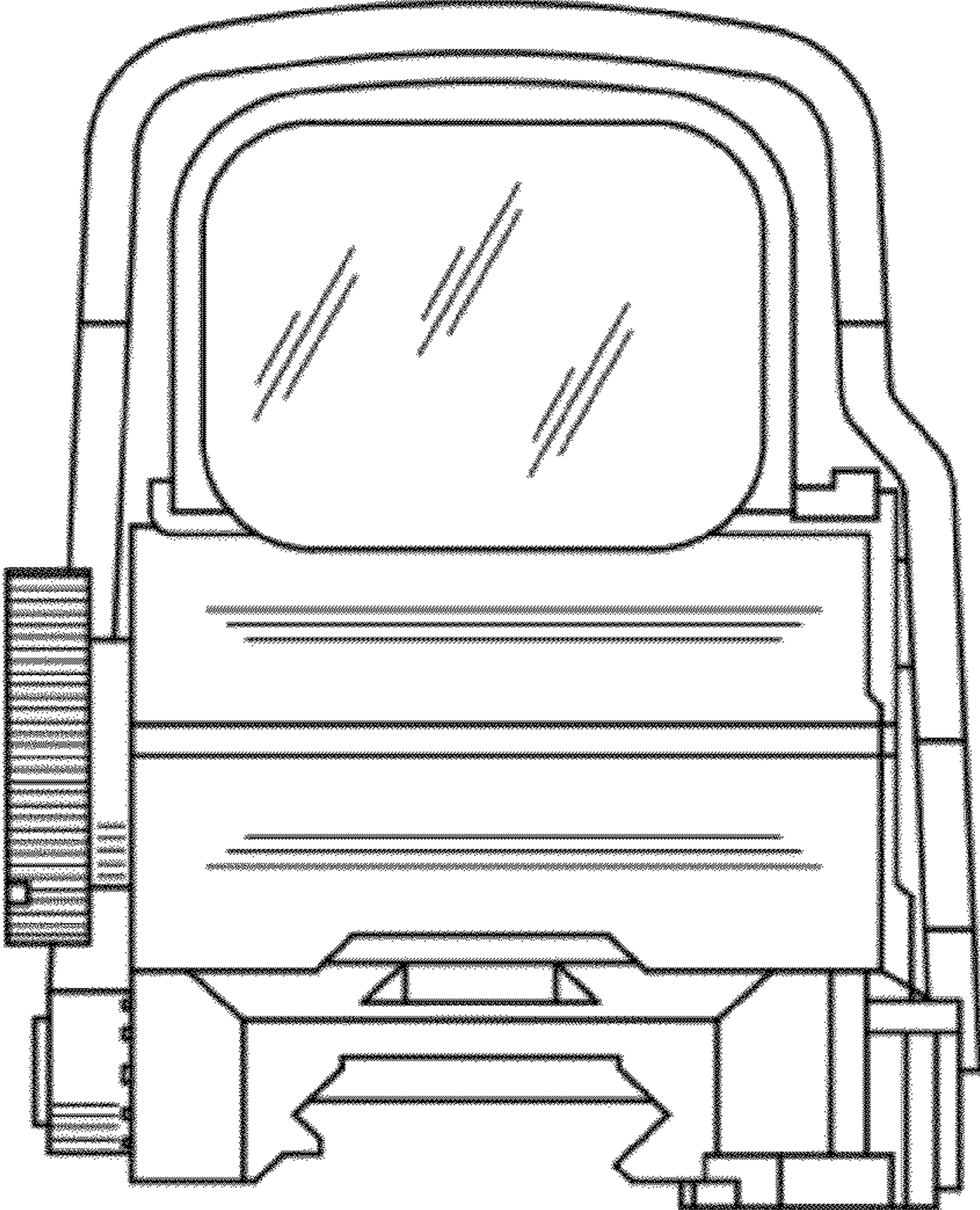


FIG. 2

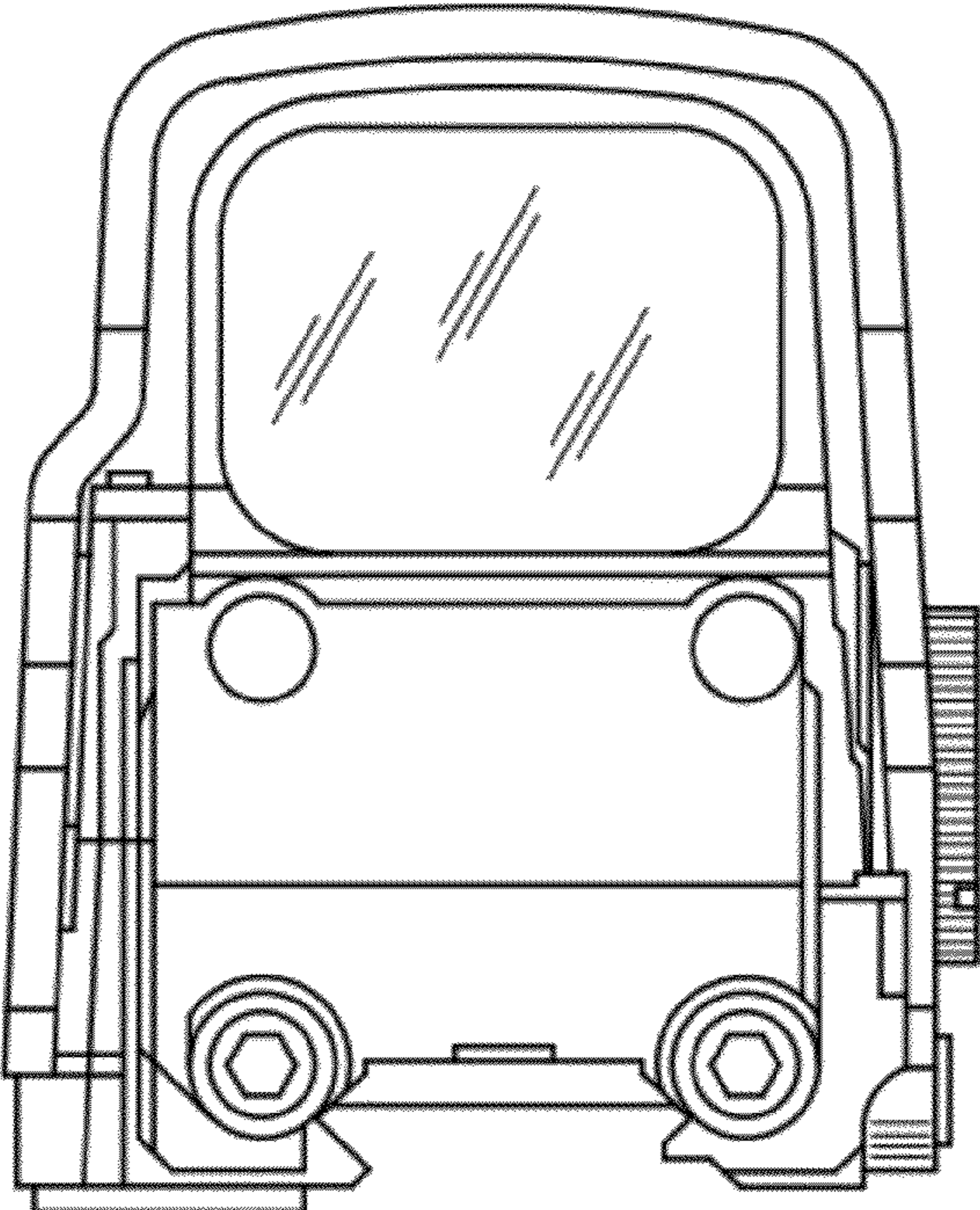


FIG. 3

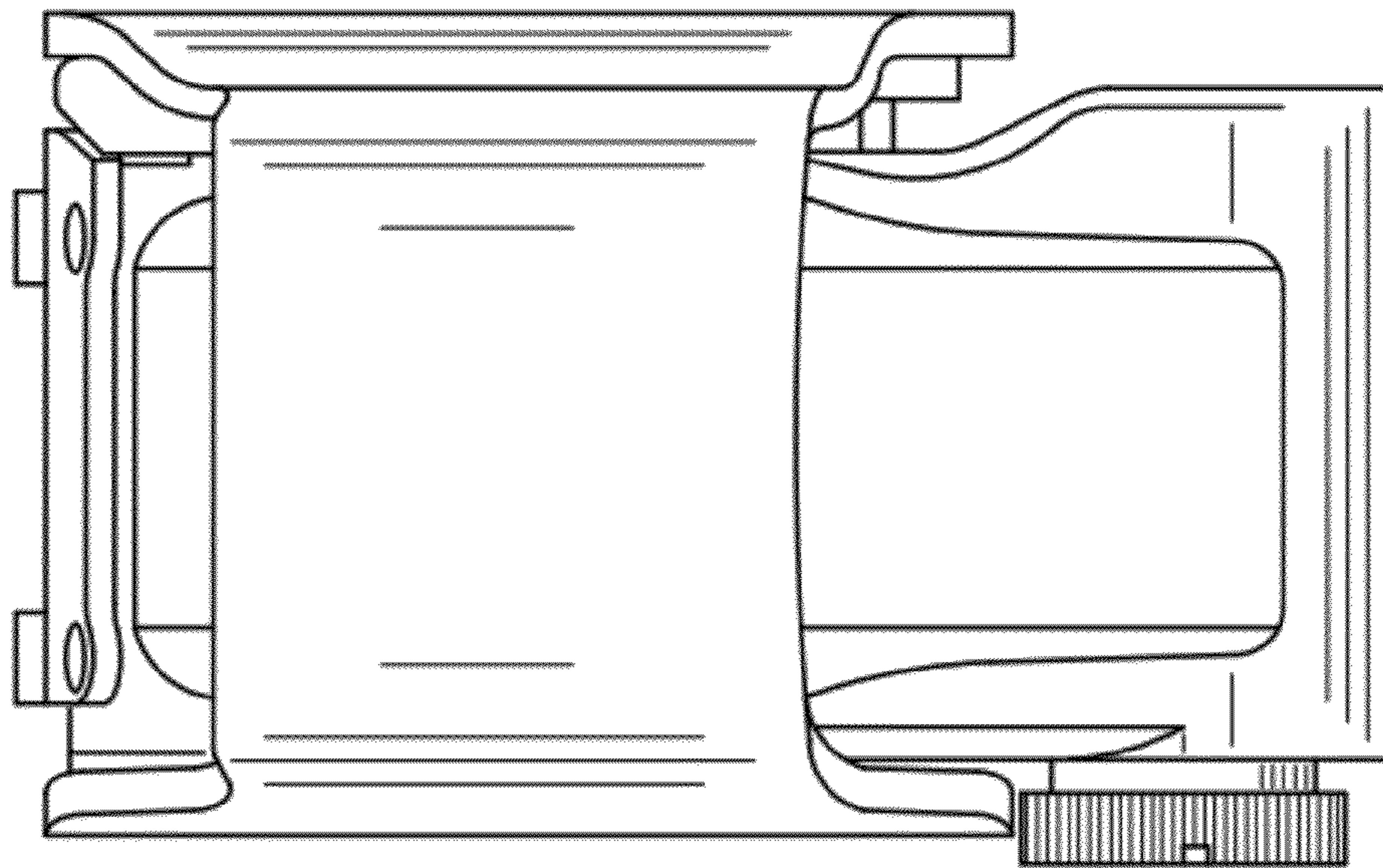


FIG. 4

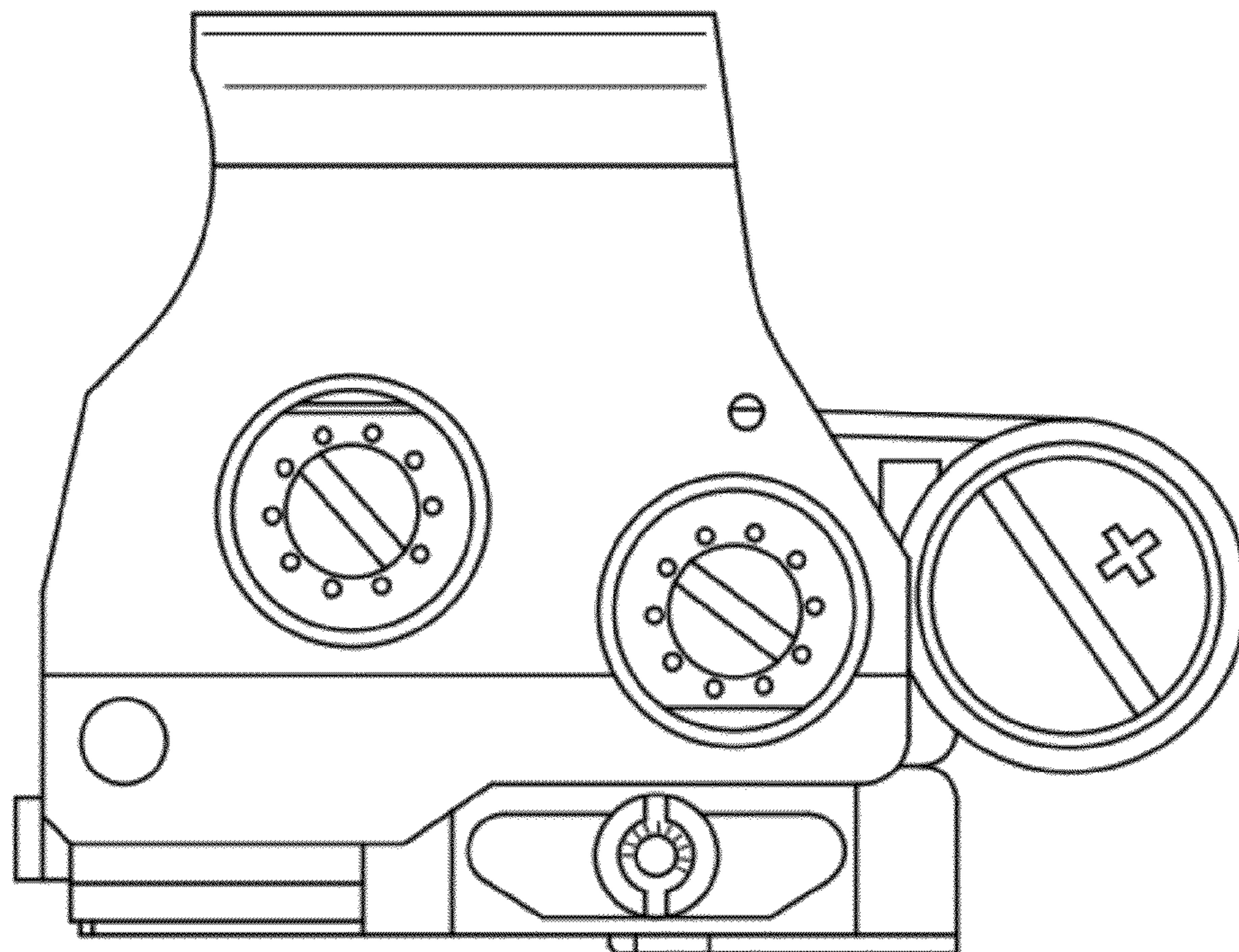


FIG. 5

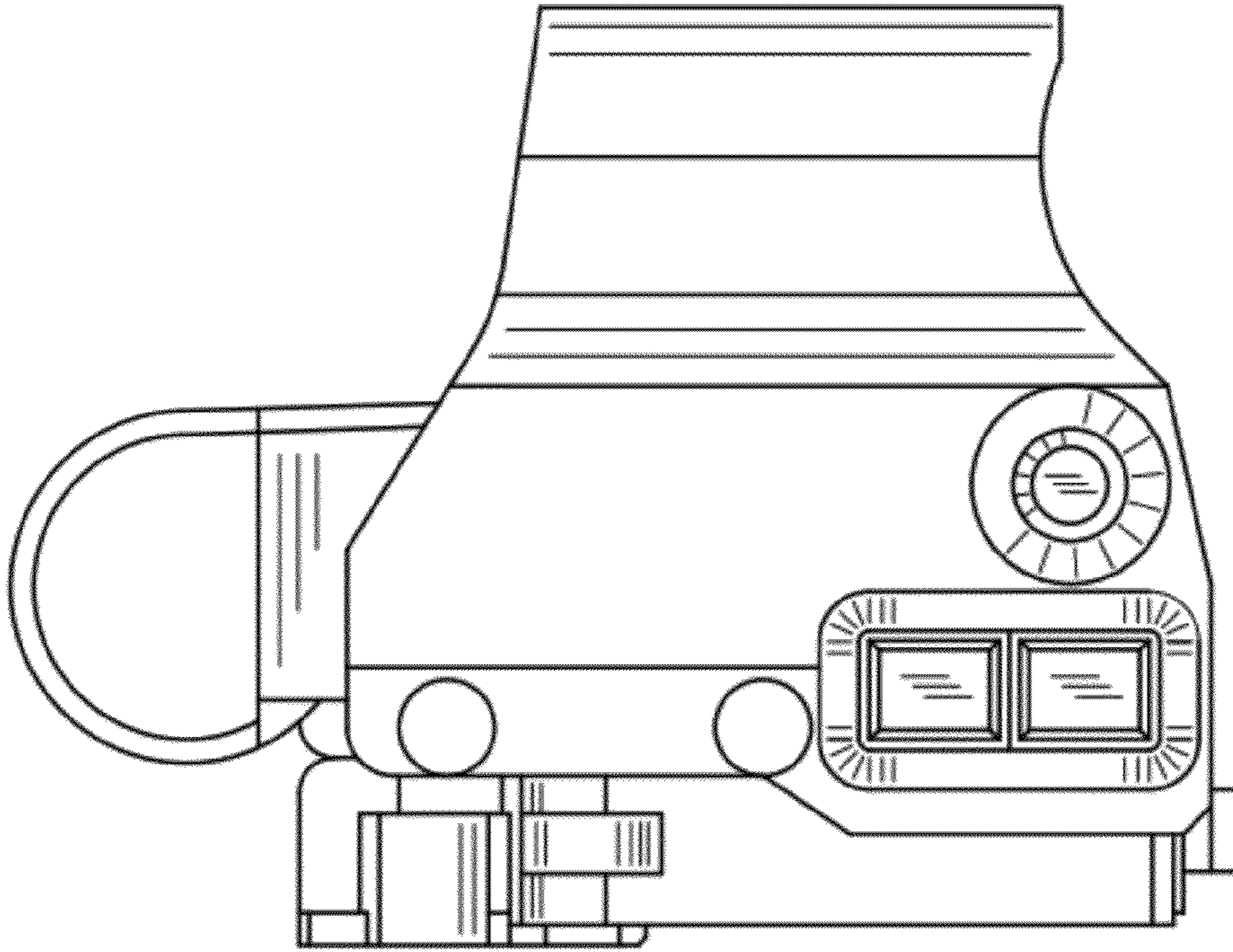


FIG. 6

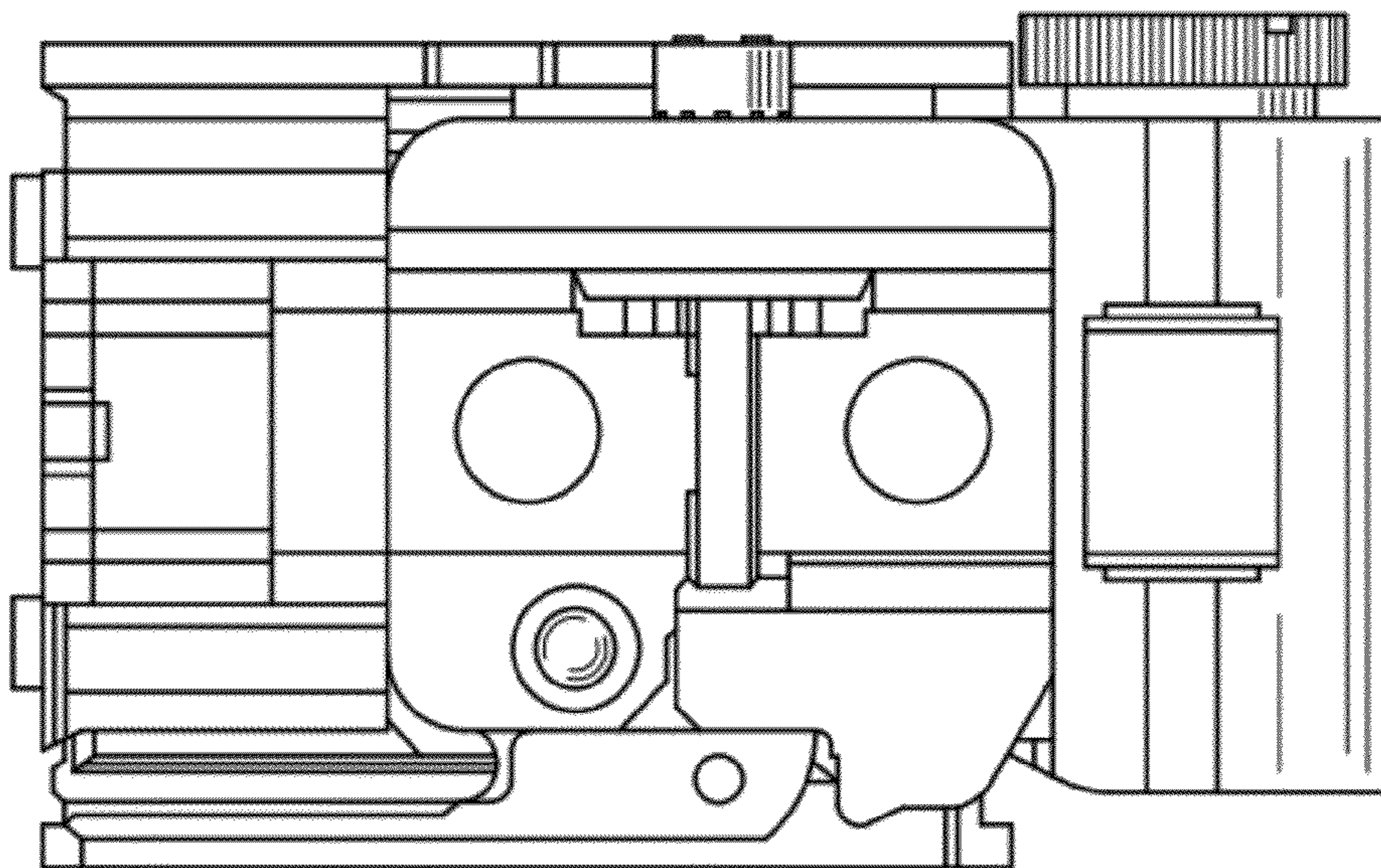


FIG. 7

UNITED STATES PATENT AND TRADEMARK OFFICE
CERTIFICATE OF CORRECTION

PATENT NO. : D662,566 S
APPLICATION NO. : 29/365802
DATED : June 26, 2012
INVENTOR(S) : Todd K. Estes

Page 1 of 9

It is certified that error appears in the above-identified patent and that said Letters Patent is hereby corrected as shown below:

Delete Title Page, and replace with new Title Page (attached).

IN THE DRAWINGS:

Delete Figures from:

“Sheet 1, Figure 1;
Sheet 2, Figures 2 – 3;
Sheet 3, Figures 4 – 5; and
Sheet 4, Figure 6 – 7.”

replace with Figures:

--Sheet 1, Figure 1;
Sheet 2, Figure 2;
Sheet 3, Figure 3;
Sheet 4, Figure 4;
Sheet 5, Figure 5;
Sheet 6, Figure 6; and
Sheet 7, Figure 7.--.

Signed and Sealed this
Second Day of October, 2012



David J. Kappos
Director of the United States Patent and Trademark Office

(12) **United States Design Patent**
Estes

(10) **Patent No.:** **US D662,566 S**
(45) **Date of Patent:** **** Jun. 26, 2012**

(54) **HOLOGRAPHIC WEAPON SIGHT**

(75) Inventor: **Todd K. Estes**, Milford, MI (US)
(73) Assignee: **L-3 Communication Eotech, Inc.**, Ann Arbor, MI (US)
(**) Term: **14 Years**
(21) Appl. No.: **29/365,802**
(22) Filed: **Jul. 15, 2010**
(51) **LOC (9) Cl.** **22-01**
(52) **U.S. Cl.** **D22/109**
(58) **Field of Classification Search** **D22/100-116;**
D21/572-573; 124/66-67, 74; 42/51, 71.01,
42/75.01, 75.02, 90, 94; 362/110; 89/40.06,
89/37.04, 33.04, 191.01
See application file for complete search history.

OTHER PUBLICATIONS

"Worlds First HOLO Graphic Sight" EOTech.
"Technical Manual Operator and Field Maintenance Manual for EOLAD (Laser Aiming Device with EoTech Holographic Weapons Sight"; Laser Devices and L3 Communications.
"EOTech Catalog for Holographic Weapons Sights and Night Vision Products"; EOTech and L3 Communications.
"L-3 EOTech Magnifier User Manual"; L3 communications EOTech.
"HWS Benefits" <http://www.eotech-inc.com/page.php?id=9>.
"HWS Features" <http://www.eotech-inc.com/features.php>.
"HWS Night Vision Compatibility" <http://www.eotech-inc.com/page.php?id=10>.
"Operators Manual for XPS3 and XPS2 Holographic Weapon Sight (HWS)" L3 communications EOTech.

* cited by examiner

Primary Examiner — Michael A Pratt
(74) *Attorney, Agent, or Firm* — Brooks Kushman

(56) **References Cited**

U.S. PATENT DOCUMENTS

3,165,836	A *	1/1965	Magardo	42/137
5,483,362	A	1/1996	Tai et al.	
6,327,806	B1 *	12/2001	Paige	42/113
6,490,060	B1	12/2002	Tai et al.	
7,145,703	B2	12/2006	Sieczak et al.	
7,210,261	B2	5/2007	Arachequene	
7,225,576	B2 *	6/2007	Ballard	42/118
7,225,578	B2 *	6/2007	Tai	42/132
7,552,558	B1 *	6/2009	Ballard	42/111
2006/0162226	A1 *	7/2006	Tai	42/132
2008/0104875	A1	5/2008	Mayerie	
2009/0113778	A1	5/2009	Paterson	

FOREIGN PATENT DOCUMENTS

EP 2056058 A2 6/2009

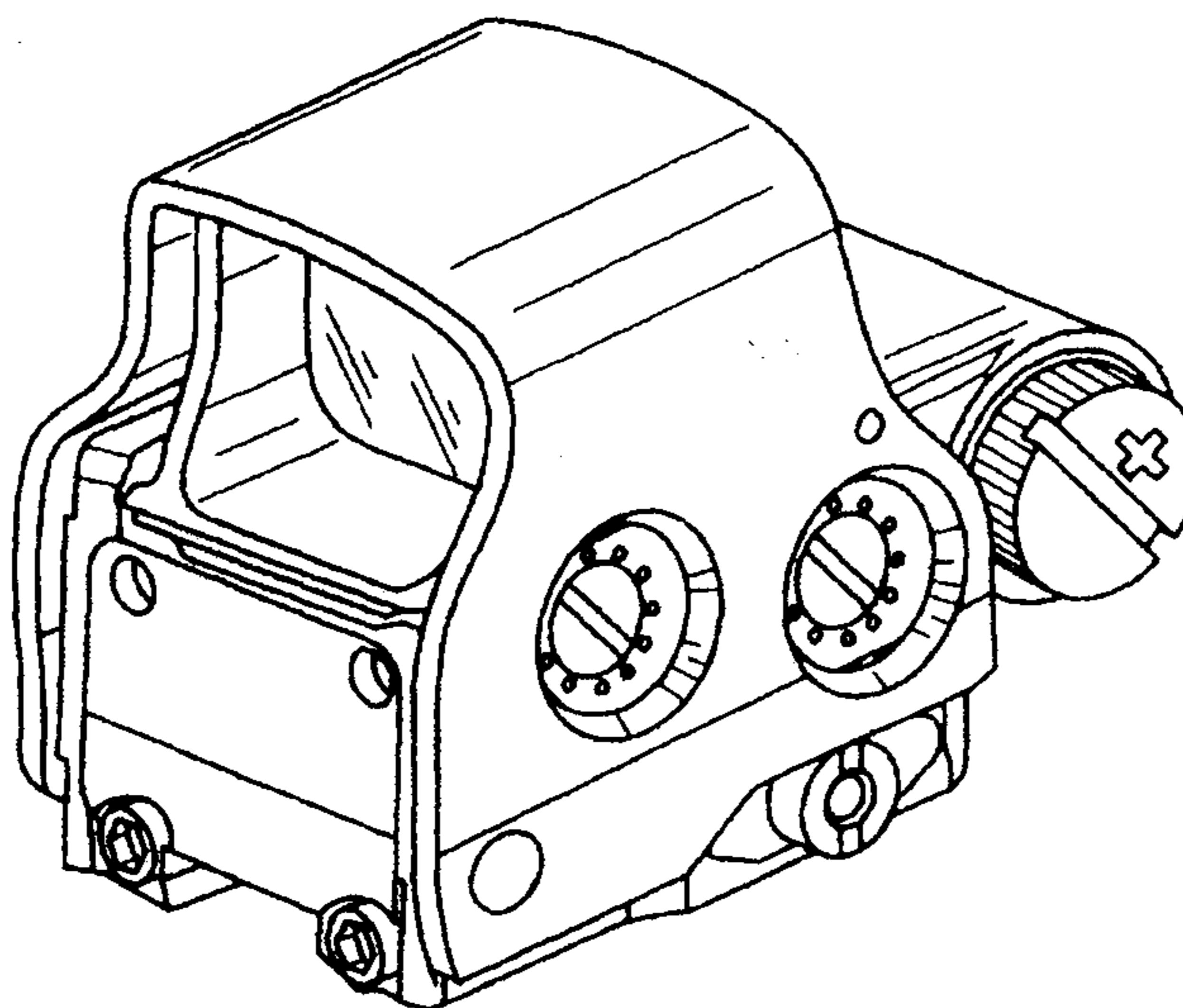
(57) **CLAIM**

The ornamental design for a holographic weapon sight, as shown and described.

DESCRIPTION

FIG. 1 is a perspective view of the holographic weapon sight of present invention;
FIG. 2 is a front elevational view;
FIG. 3 is a rear side elevational view;
FIG. 4 is a top plan view;
FIG. 5 is a right side elevational view;
FIG. 6 is a left side elevational view; and
FIG. 7 is a bottom plan view.

1 Claim, 7 Drawing Sheets



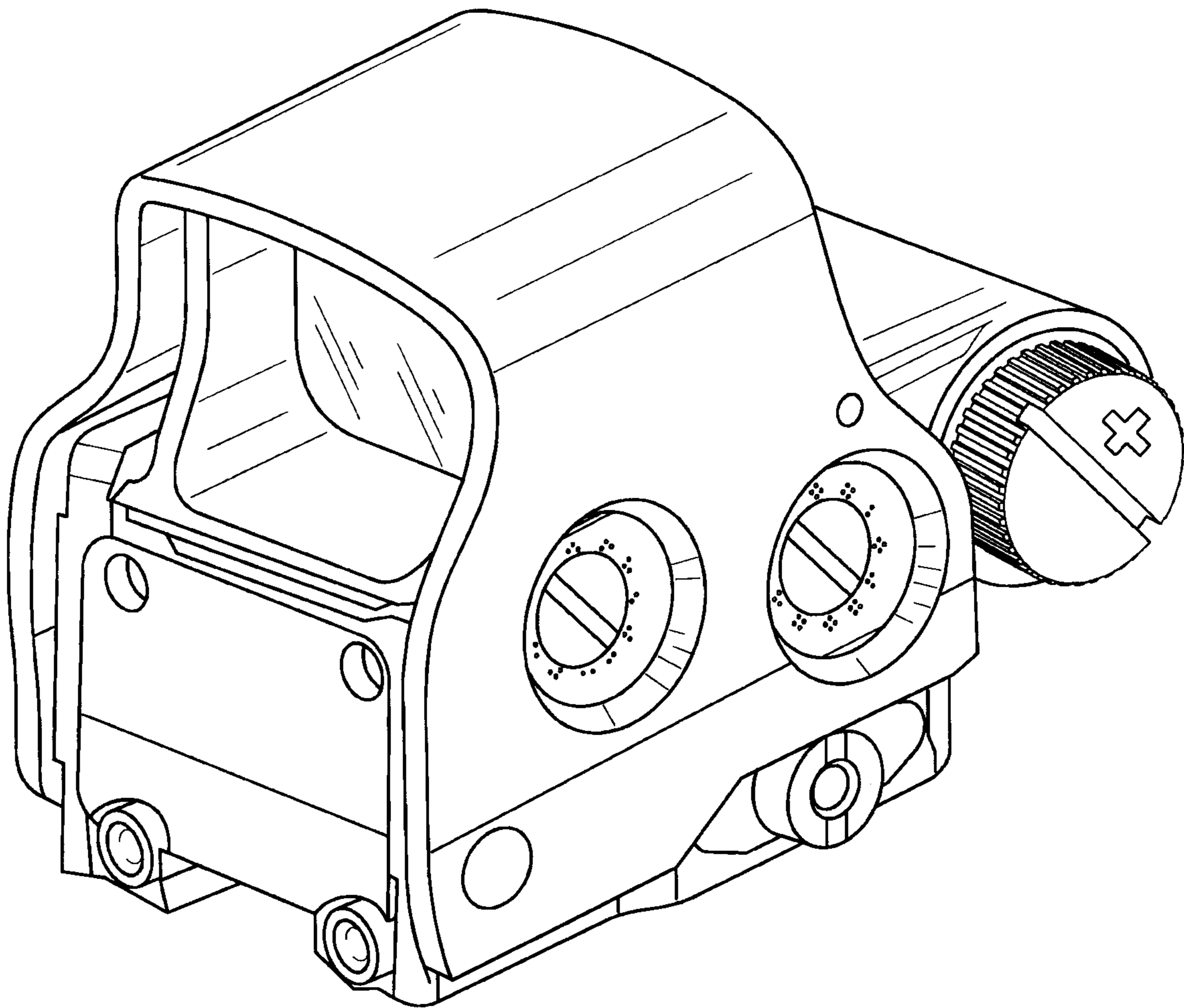


FIG. 1

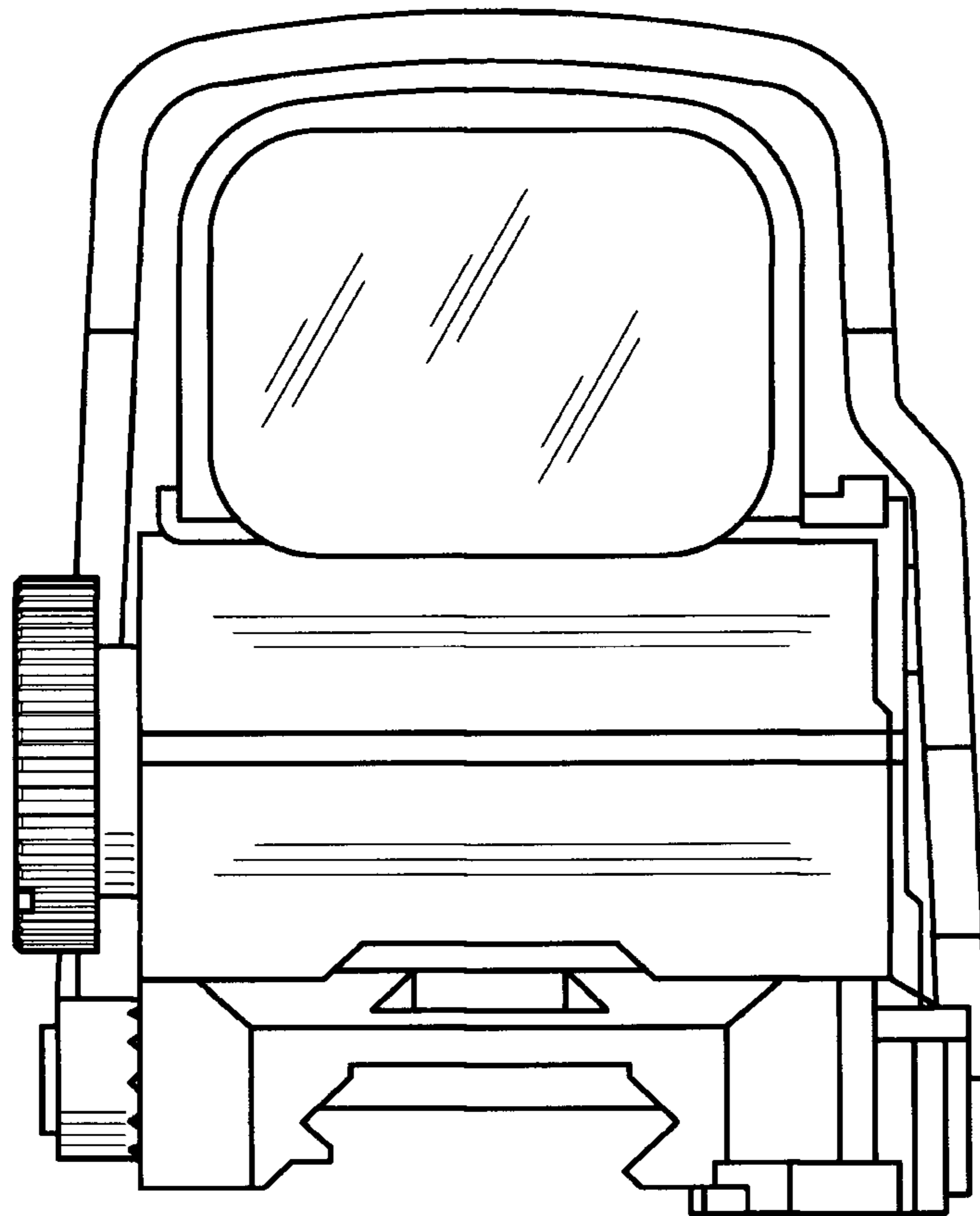


FIG. 2

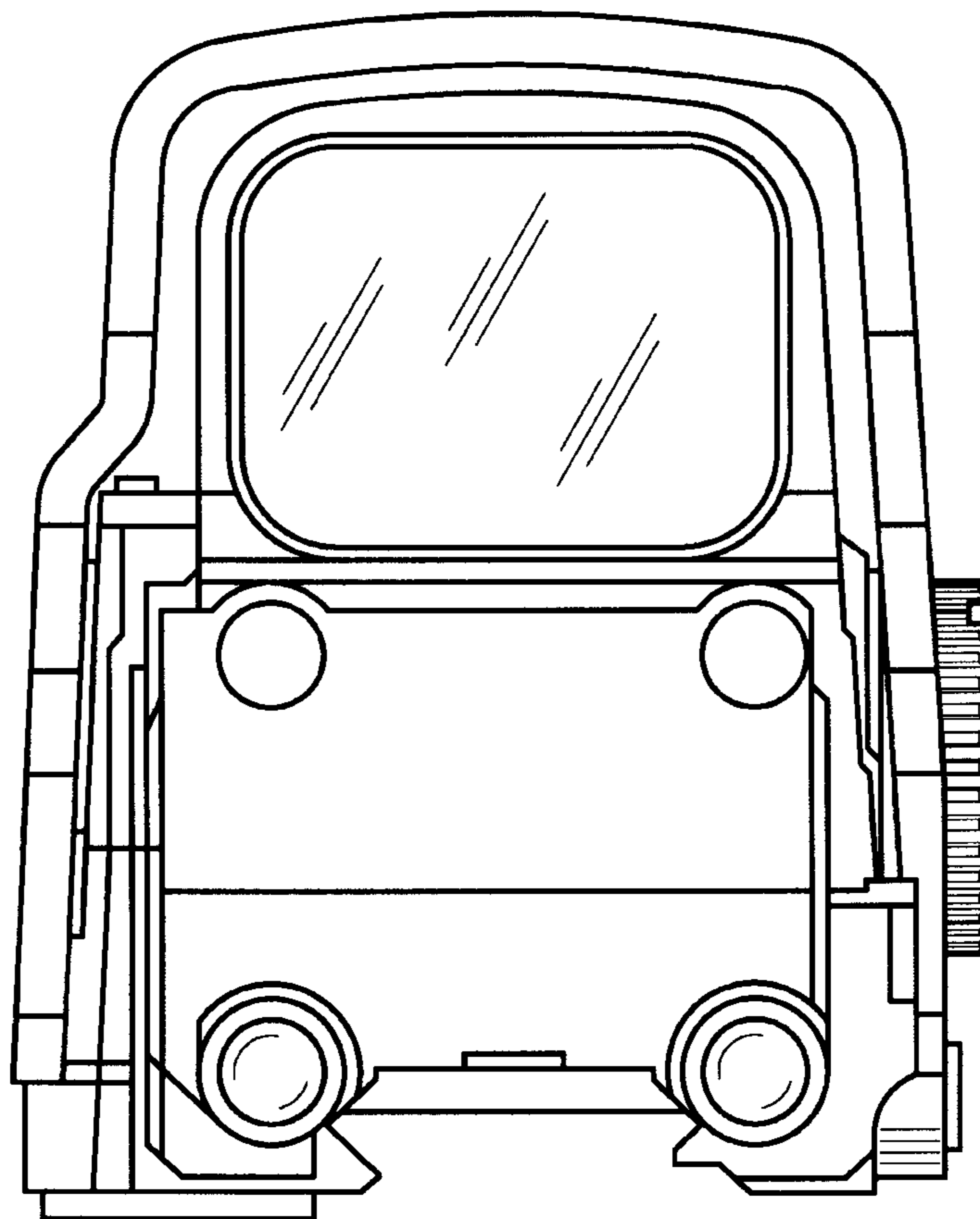


FIG. 3

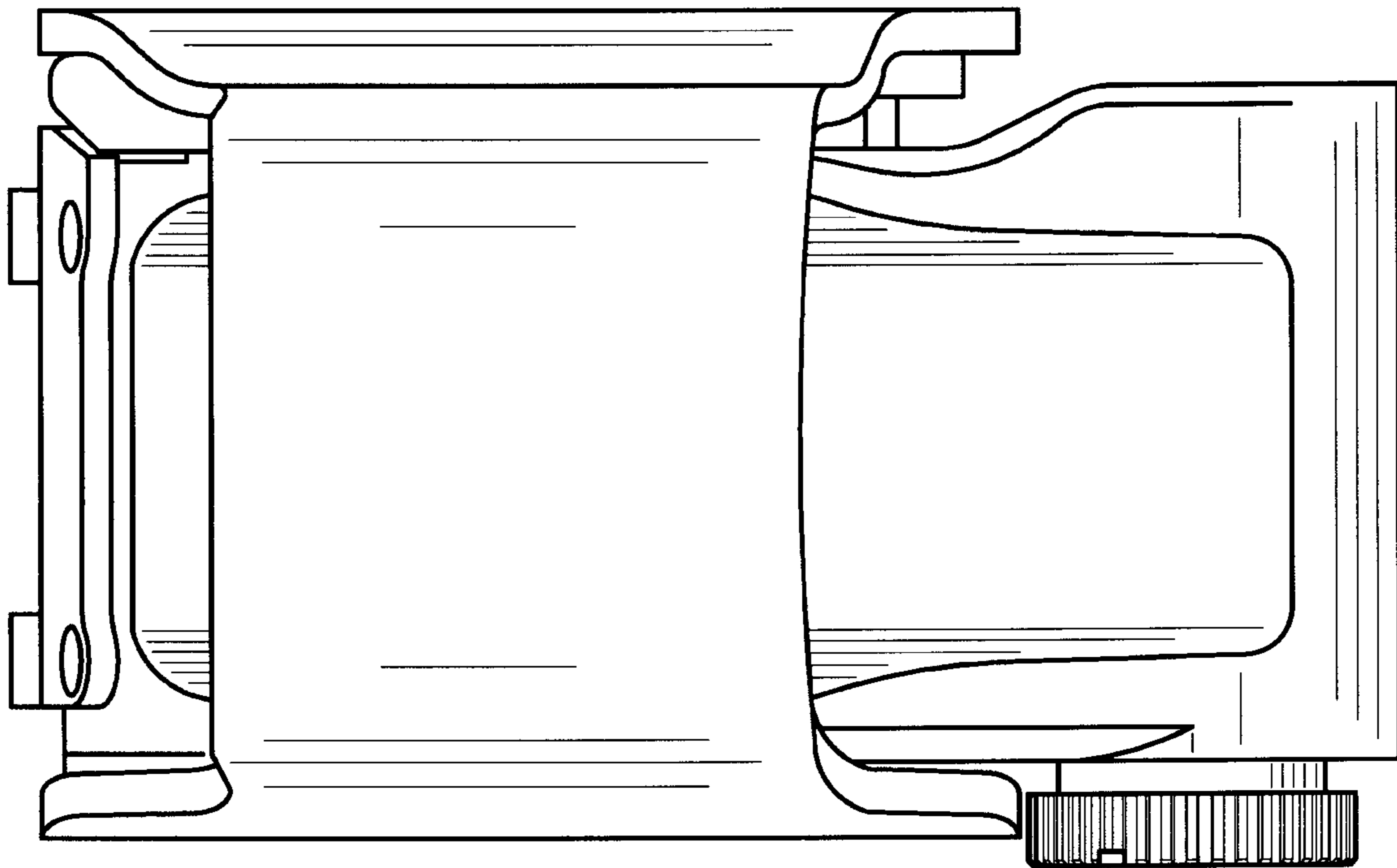


FIG. 4

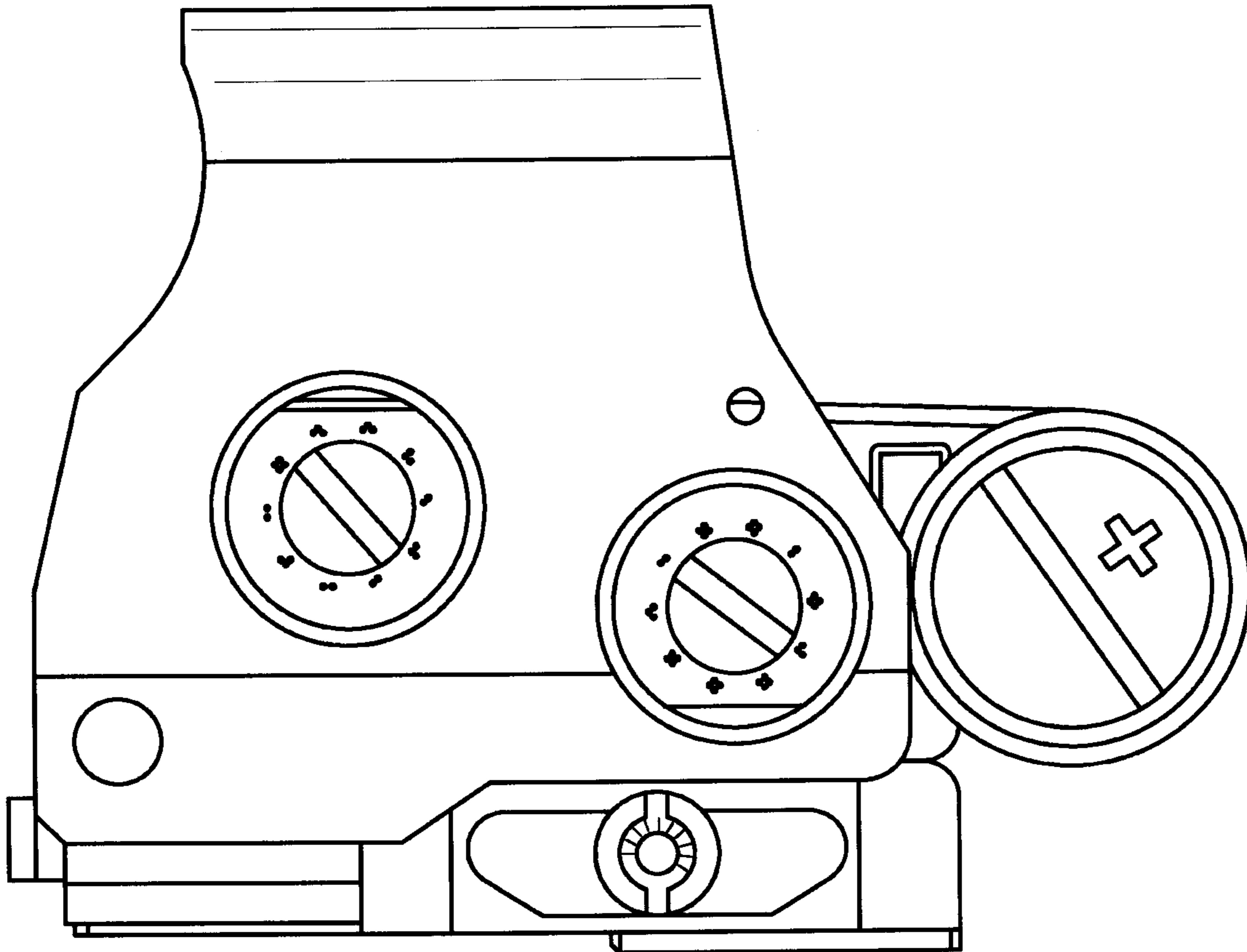


FIG. 5

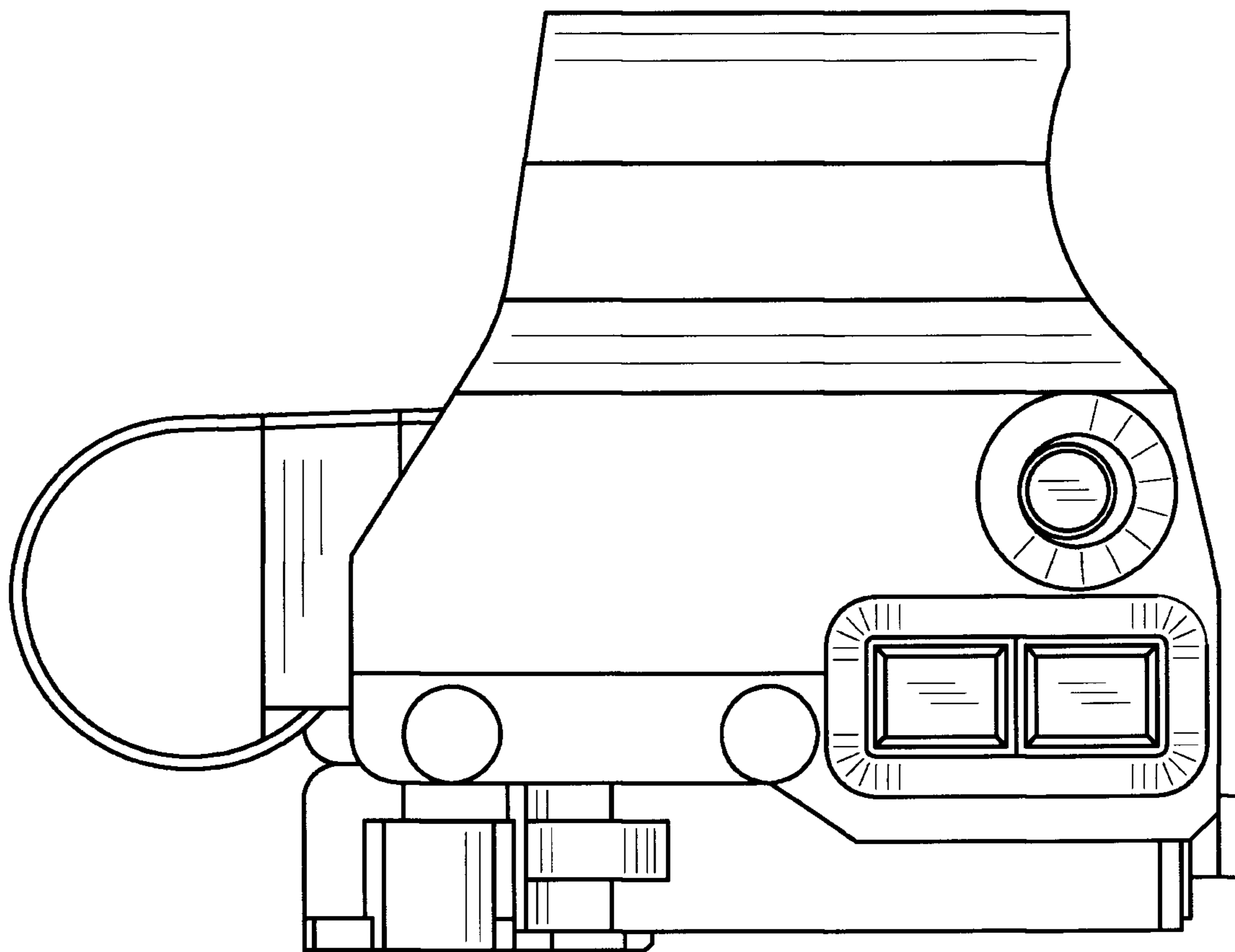


FIG. 6

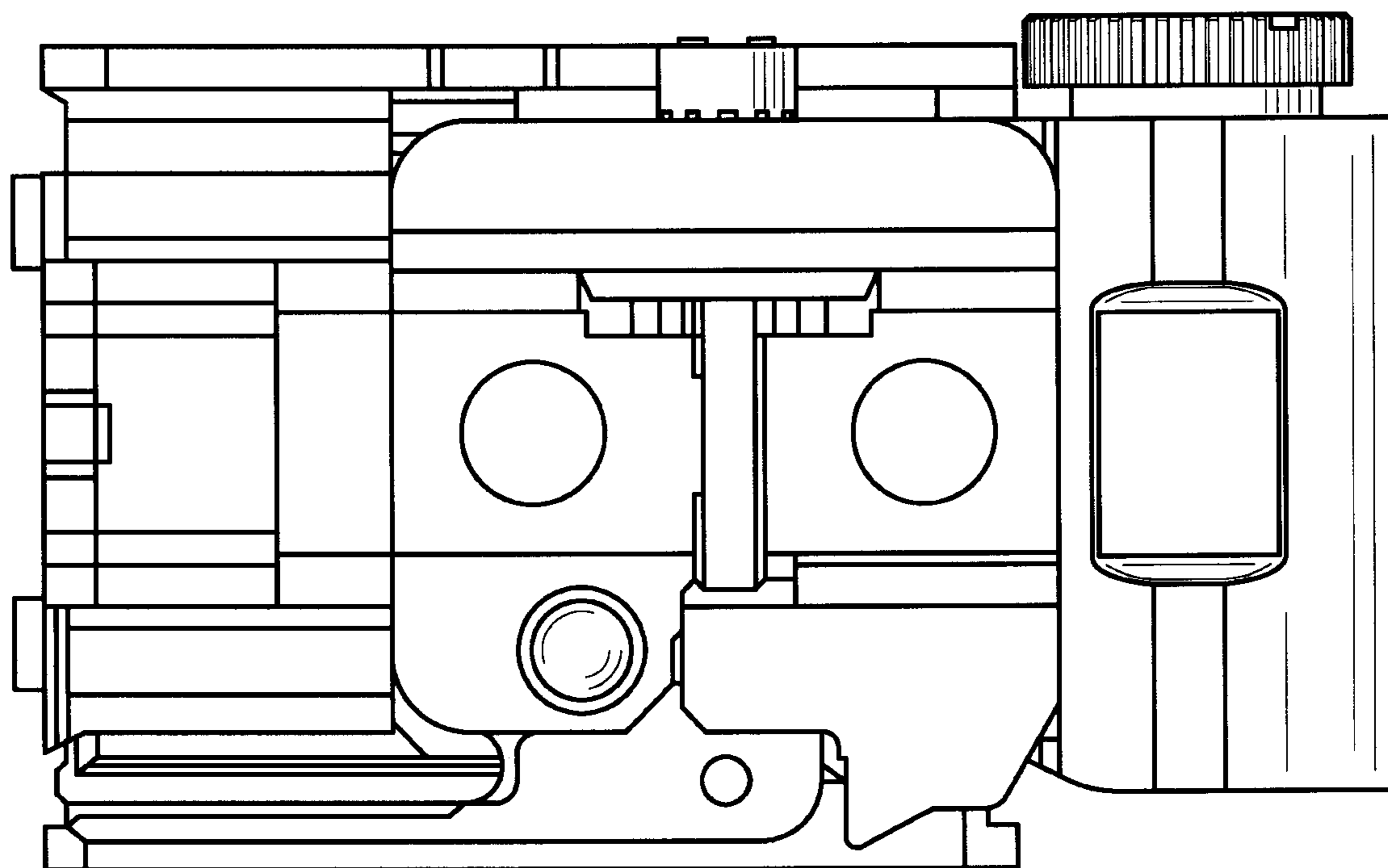


FIG. 7