



US00D662565S

(12) **United States Design Patent**
Burt

(10) **Patent No.:** **US D662,565 S**
(45) **Date of Patent:** **** Jun. 26, 2012**

(54) **BORE SIGHT FOR BOWS AND CROSSBOWS**

(76) Inventor: **Brian K. Burt**, Massillon, OH (US)

(**) Term: **14 Years**

(21) Appl. No.: **29/389,762**

(22) Filed: **Apr. 15, 2011**

(51) **LOC (9) Cl.** **22-01**

(52) **U.S. Cl.** **D22/107**

(58) **Field of Classification Search** D22/100,
D22/108, 109, 199; 124/23.1, 25.6, 86, 88;
D21/572; 33/265; 42/86-88, 136-139, 145
See application file for complete search history.

(56) **References Cited**

U.S. PATENT DOCUMENTS

2,294,913	A *	9/1942	Kaufman et al.	42/121
5,522,375	A *	6/1996	Simo et al.	124/86
5,618,099	A *	4/1997	Brubacher	362/111
5,735,257	A *	4/1998	Walk	124/89
6,499,247	B1 *	12/2002	Peterson	42/116

6,622,414	B1 *	9/2003	Oliver et al.	42/116
7,260,911	B2 *	8/2007	Davis	42/121
RE40,429	E *	7/2008	Oliver et al.	42/116
7,900,391	B1 *	3/2011	Mihelish	42/116

* cited by examiner

Primary Examiner — Michael Pratt

(74) *Attorney, Agent, or Firm* — Sand & Sebolt

(57) **CLAIM**

The ornamental design for a bore sight for bows and crossbows, as shown and described.

DESCRIPTION

FIG. 1 is a perspective view of a bore sight for bows and crossbows;

FIG. 2 is a top plan view thereof;

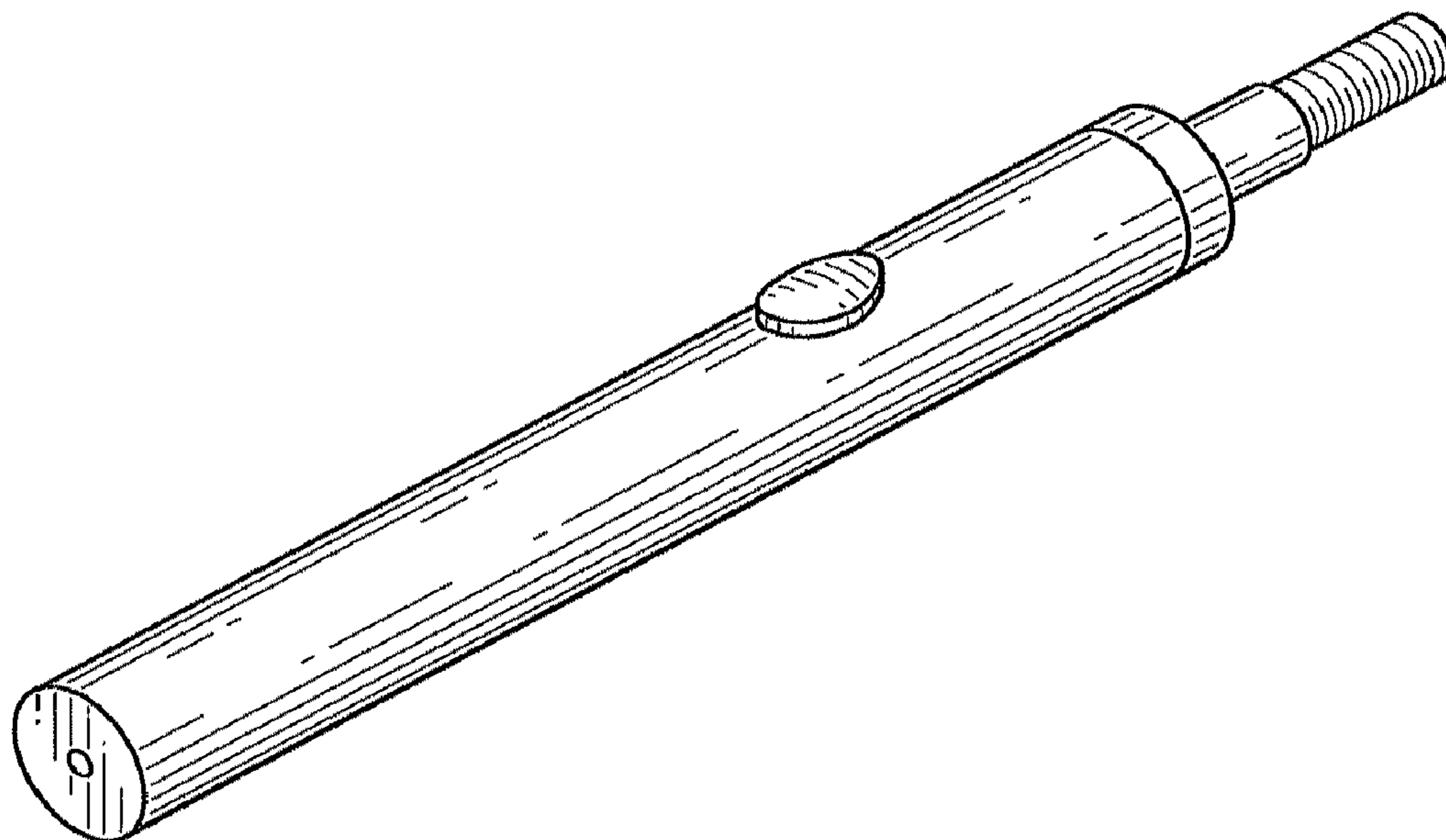
FIG. 3 is a side elevational view thereof, the opposite side view being a mirror image thereof;

FIG. 4 is a bottom plan view thereof;

FIG. 5 is an enlarged front side elevational view thereof; and,

FIG. 6 is an enlarged rear side elevational view thereof.

1 Claim, 1 Drawing Sheet



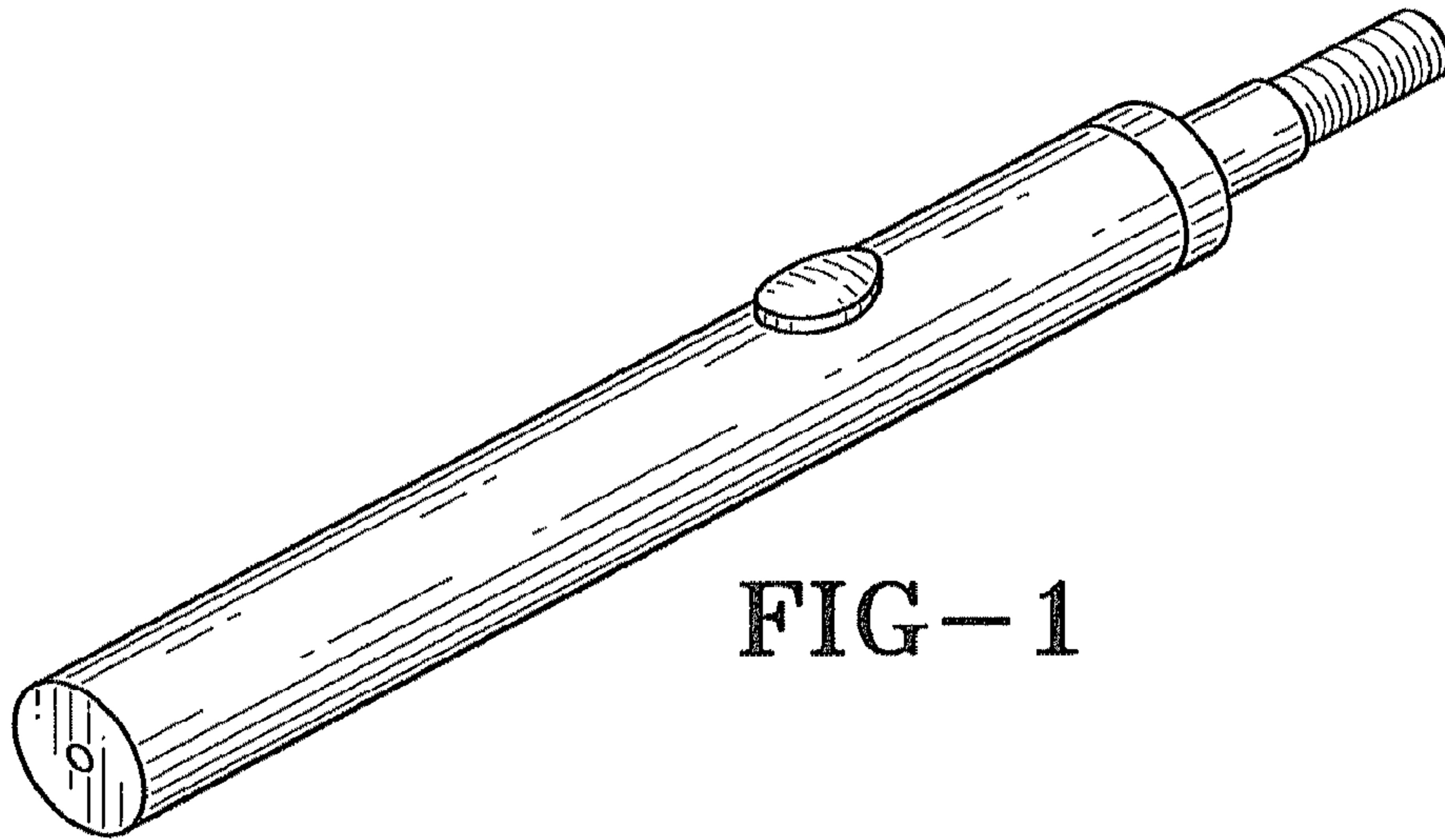


FIG-1

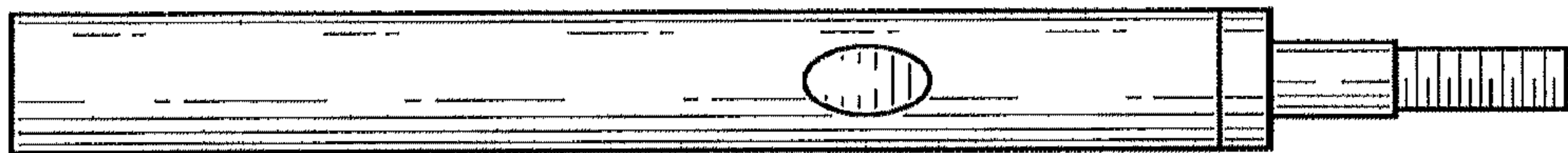


FIG-2

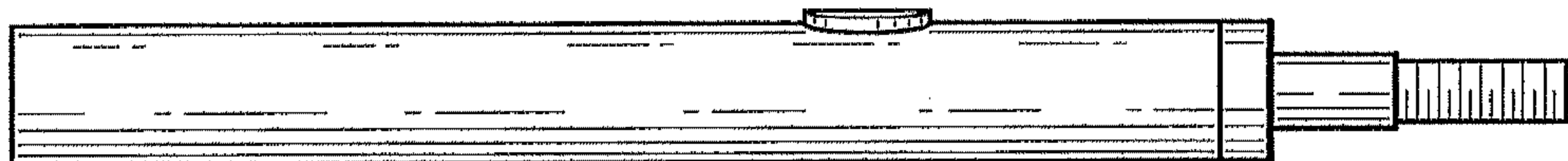


FIG-3

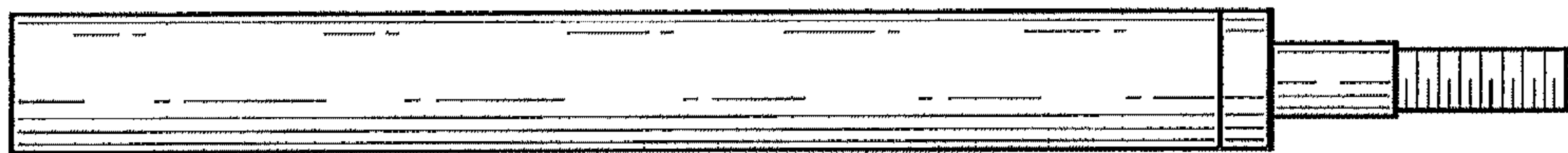


FIG-4

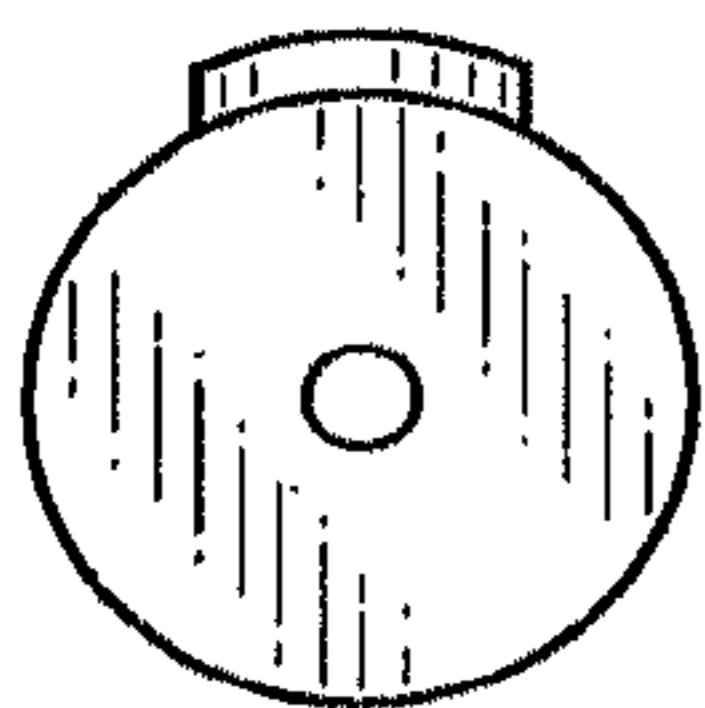


FIG-5

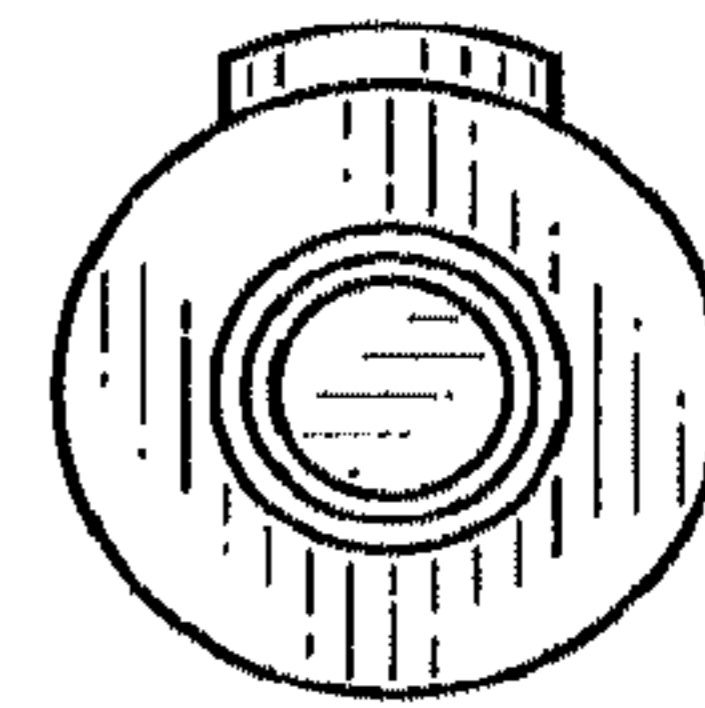


FIG-6