



US00D662559S

(12) **United States Design Patent**  
**Zhang**

(10) **Patent No.:** **US D662,559 S**  
(45) **Date of Patent:** **\*\* Jun. 26, 2012**

(54) **HANDLE**

(76) Inventor: **Zhujiao Zhang**, Wuyi (CN)

(\*\*) Term: **14 Years**

(21) Appl. No.: **29/380,155**

(22) Filed: **Dec. 1, 2010**

(30) **Foreign Application Priority Data**

Nov. 1, 2010 (CN) ..... 2010 3 0601524

(51) **LOC (9) Cl.** ..... **21-02**

(52) **U.S. Cl.** ..... **D21/694; D12/178**

(58) **Field of Classification Search** ..... D21/662–667,  
D21/694, 696–697; 482/8, 51, 57, 59–63;  
74/489, 551.1–551.9; D12/111, 178; 280/261  
See application file for complete search history.

(56) **References Cited**

**U.S. PATENT DOCUMENTS**

D262,814	S	*	1/1982	Lambert et al.	.....	D21/694
D262,815	S	*	1/1982	Lambert et al.	.....	D21/694
5,000,469	A	*	3/1991	Smith	.....	280/261
D382,924	S	*	8/1997	Wu	.....	D21/667
D382,925	S	*	8/1997	Wu	.....	D21/667
5,800,315	A	*	9/1998	Yu et al.	.....	482/57

6,155,958	A	*	12/2000	Goldberg	.....	482/57
D520,922	S	*	5/2006	Forcillo	.....	D12/178
D532,063	S	*	11/2006	Kim et al.	.....	D21/697
D571,417	S	*	6/2008	Su	.....	D21/667
D586,409	S	*	2/2009	Keiser	.....	D21/667
7,867,146	B2	*	1/2011	Ge et al.	.....	482/51
D649,203	S	*	11/2011	Zhang	.....	D21/667
2008/0096725	A1	*	4/2008	Keiser	.....	482/8
2010/0234185	A1	*	9/2010	Watt et al.	.....	482/8
2011/0105282	A1	*	5/2011	Pinzon	.....	482/57
2011/0195820	A1	*	8/2011	Irving et al.	.....	482/57

\* cited by examiner

*Primary Examiner* — Susan E Krakower

(74) *Attorney, Agent, or Firm* — Jacobson Holman PLLC

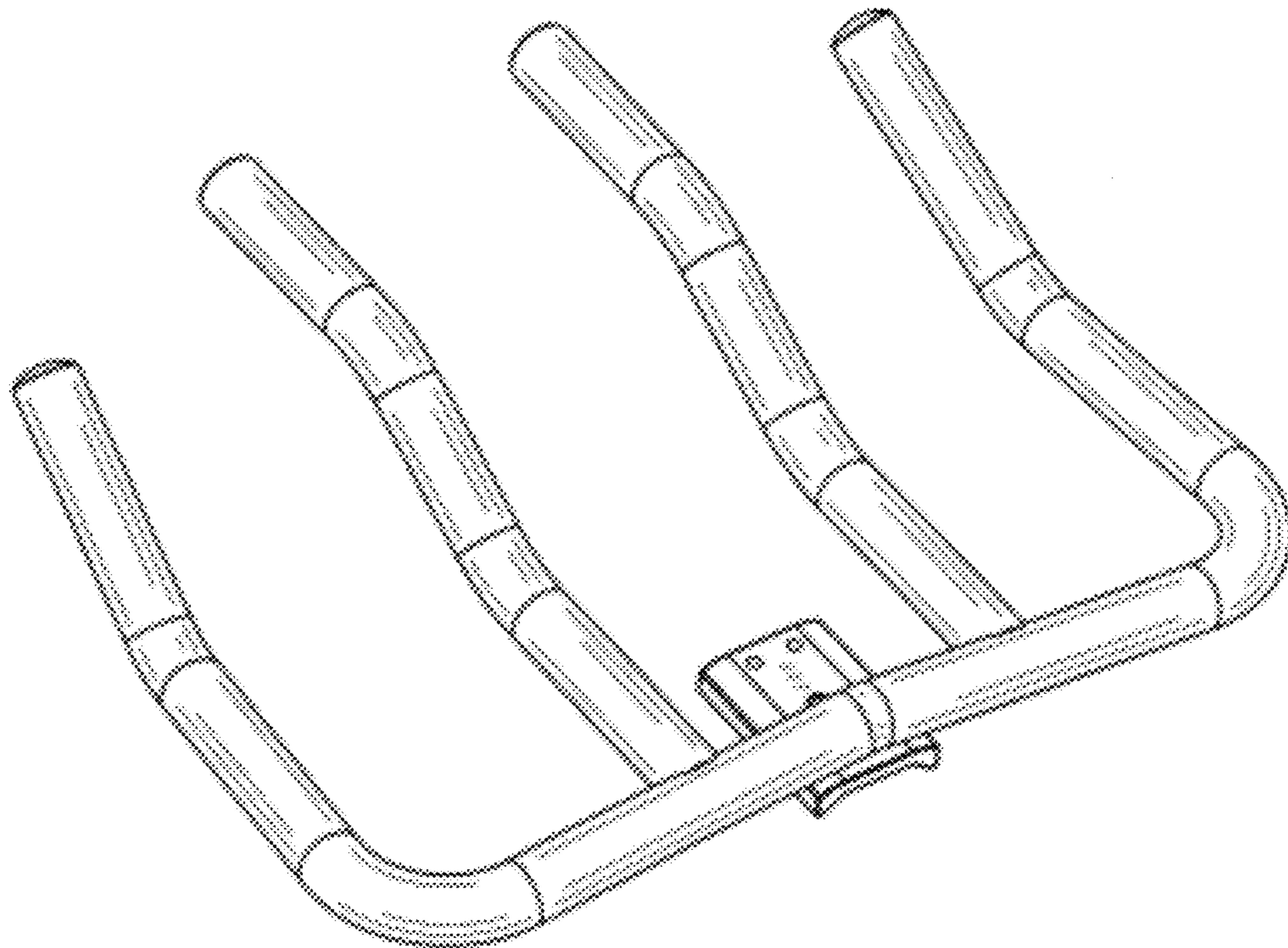
(57) **CLAIM**

I claim the ornamental design for the handle, as shown and described.

**DESCRIPTION**

FIG. 1 is a perspective view of the handle showing my design;  
FIG. 2 is a left side elevational view thereof;  
FIG. 3 is a right side elevational view thereof;  
FIG. 4 is a rear elevational view thereof;  
FIG. 5 is a front elevational view thereof;  
FIG. 6 is a top plan view thereof; and,  
FIG. 7 is a bottom plan view thereof.

**1 Claim, 3 Drawing Sheets**



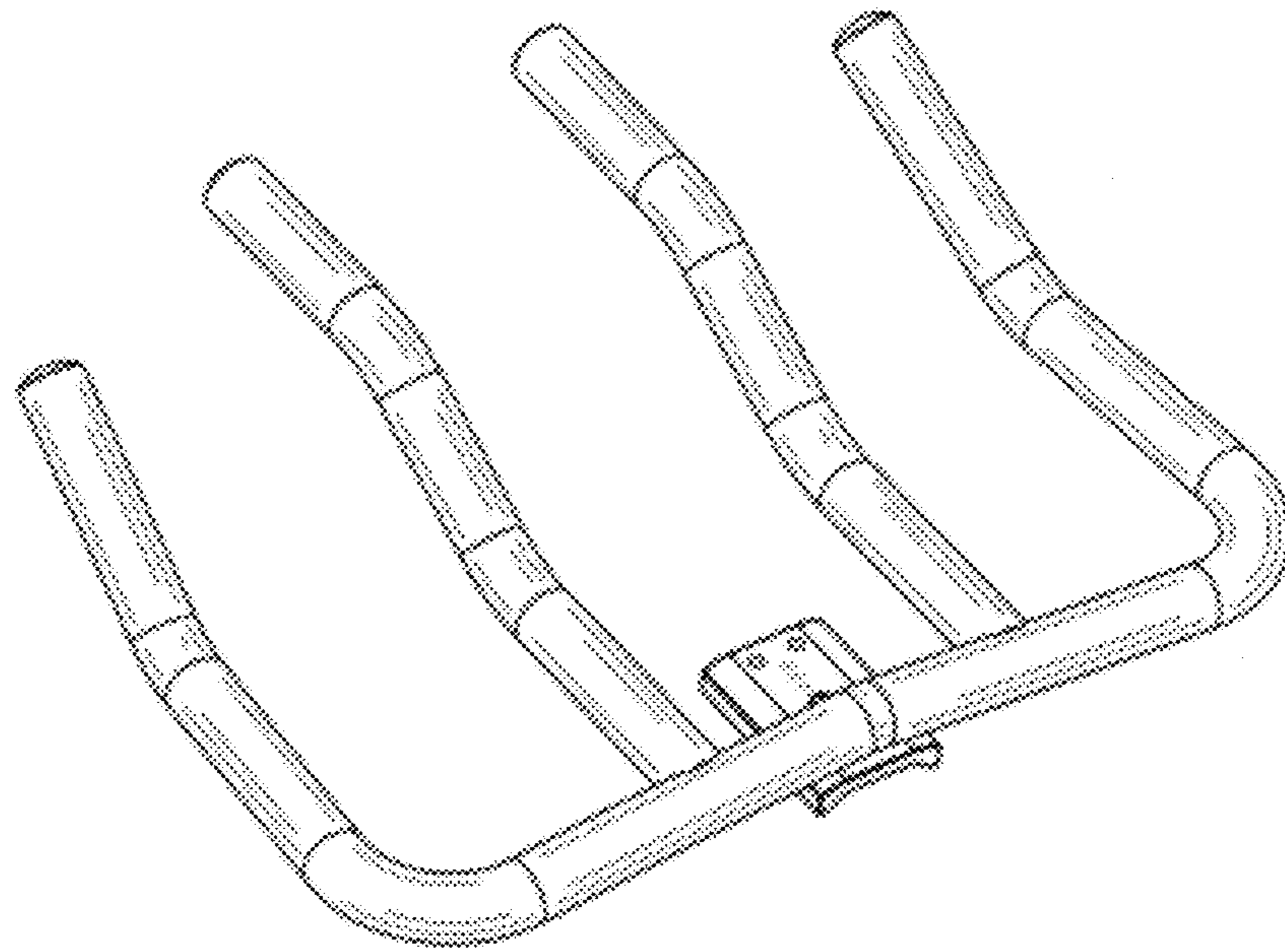


FIG. 1

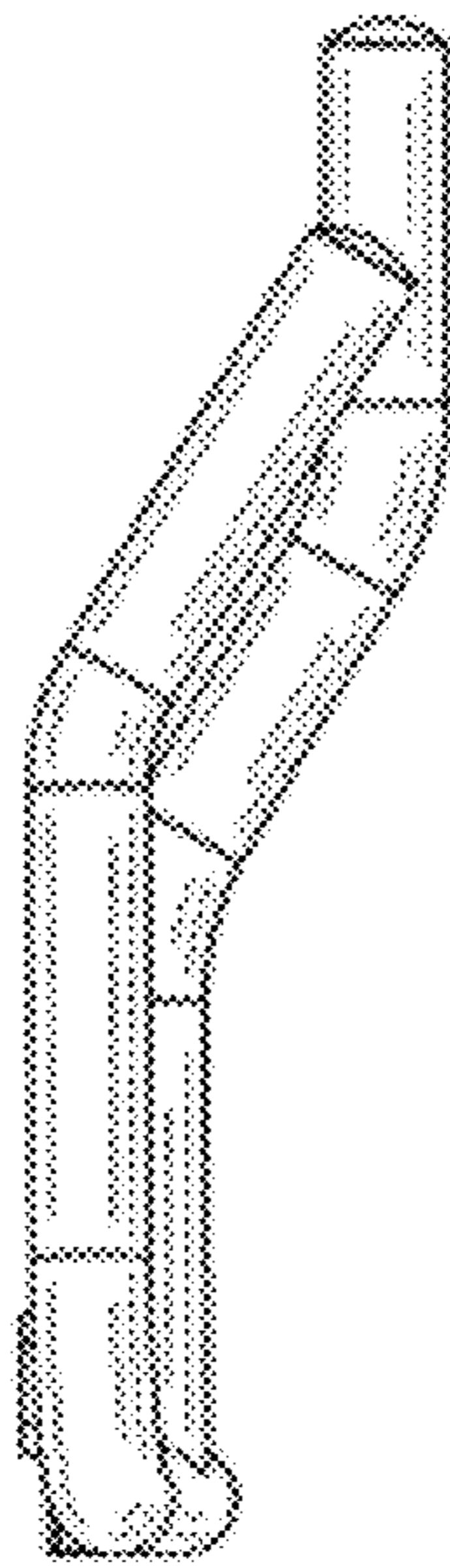


FIG. 2

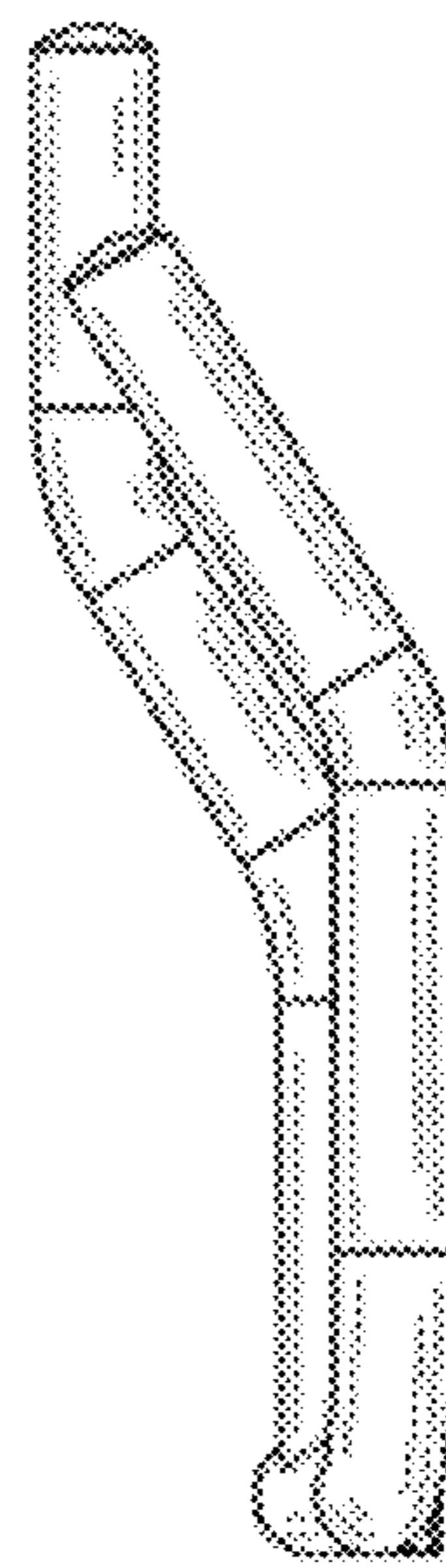


FIG. 3

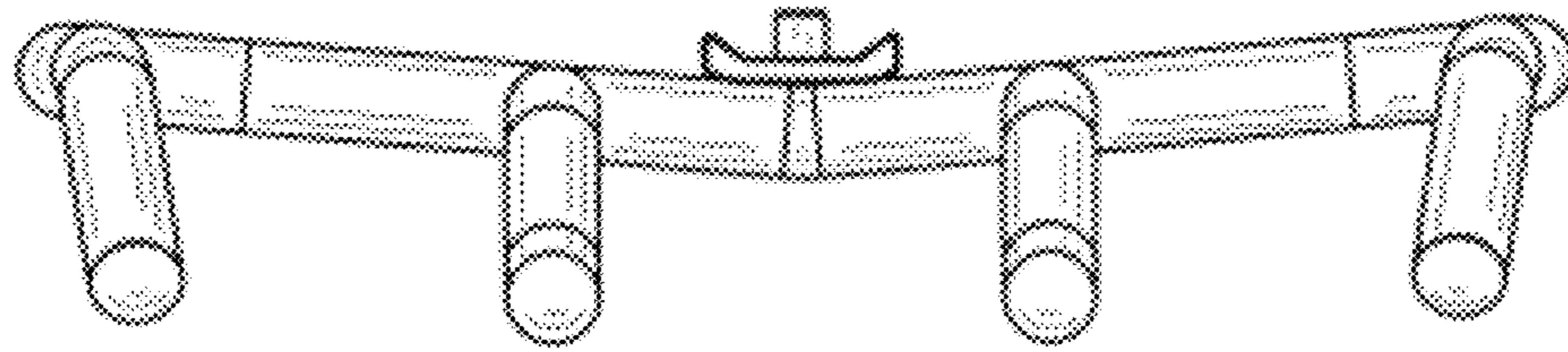


FIG. 4

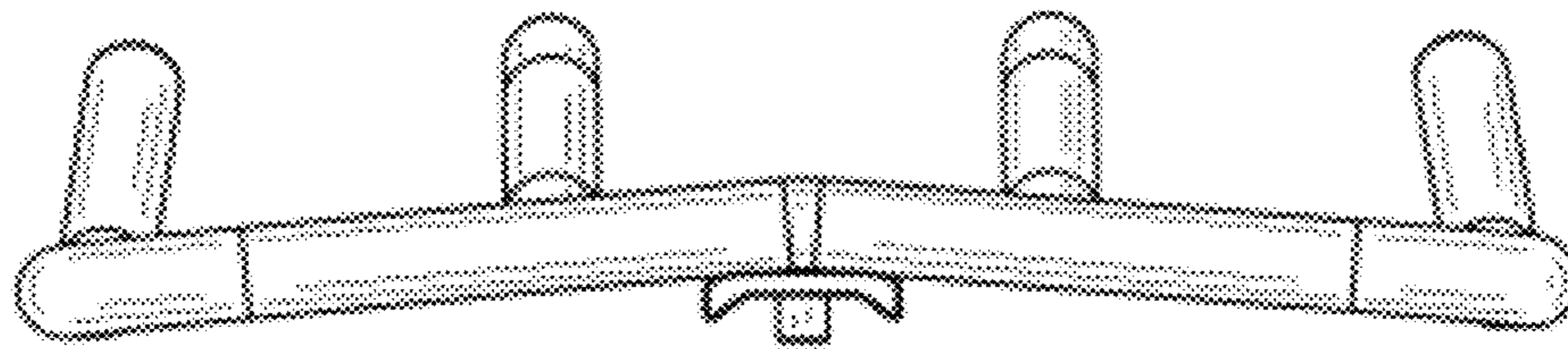


FIG. 5

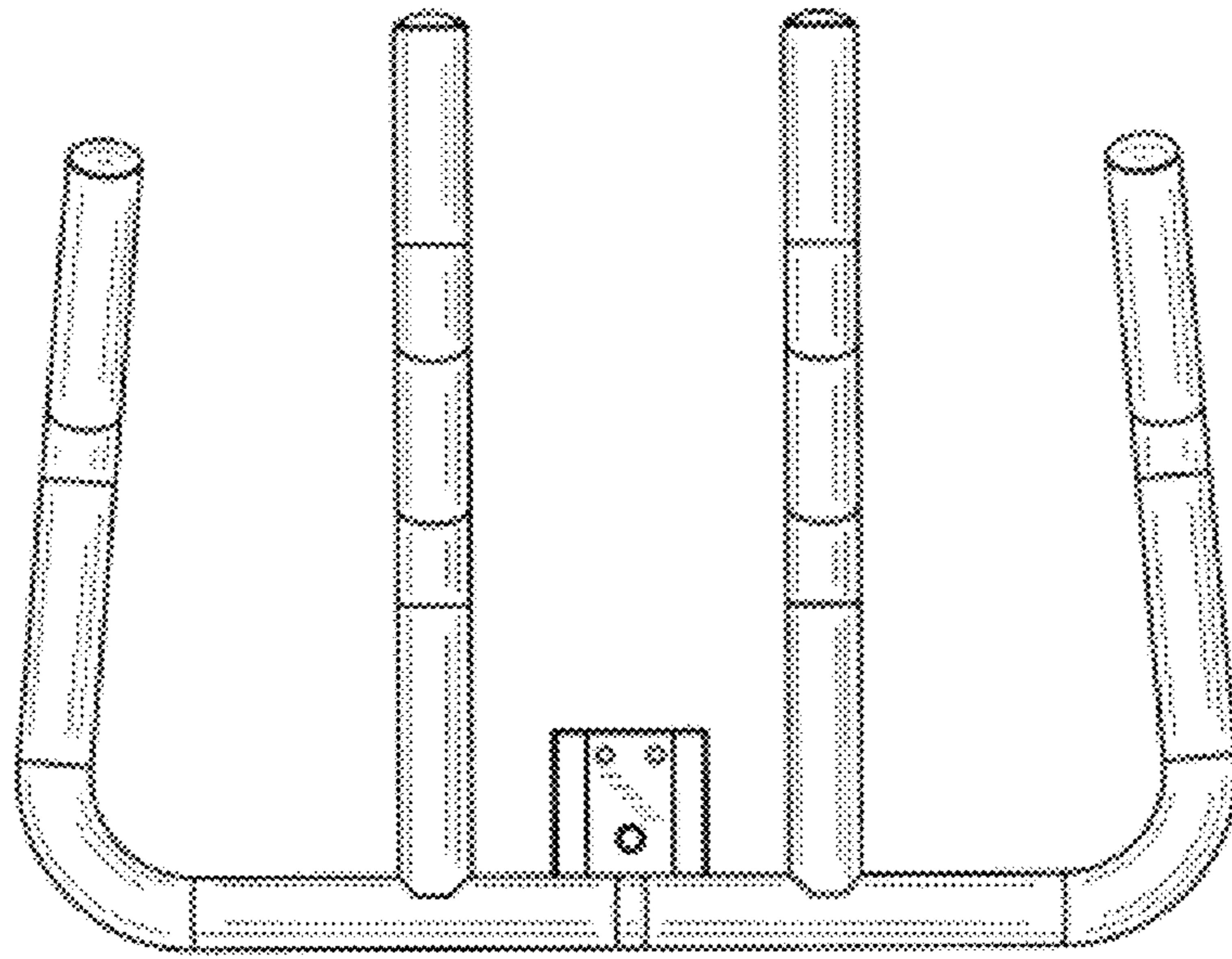


FIG. 6

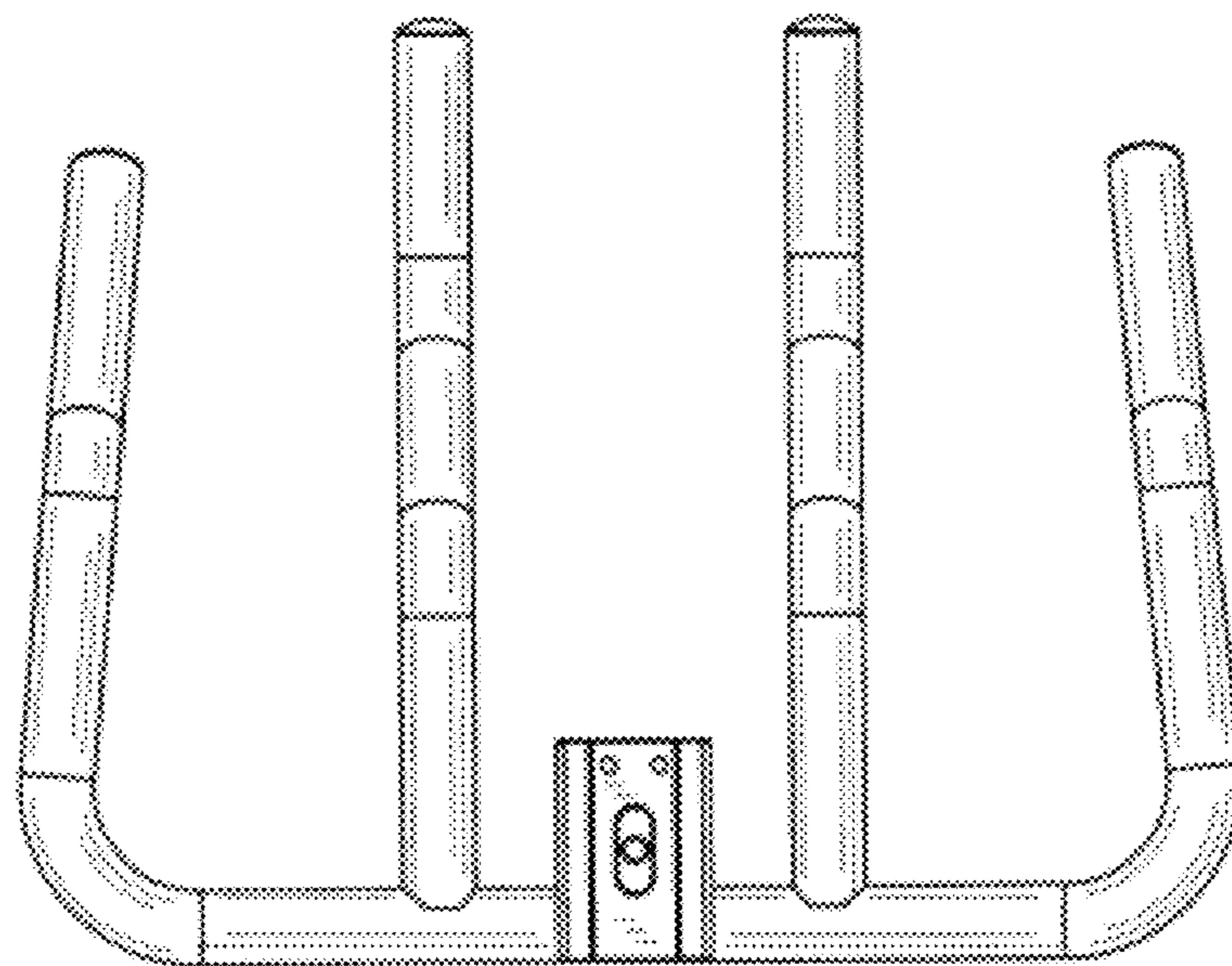


FIG. 7