



US00D662557S

(12) **United States Design Patent**
Nawracaj

(10) **Patent No.:** **US D662,557 S**
(45) **Date of Patent:** **** Jun. 26, 2012**

(54) **WRIST WEIGHT**

(76) Inventor: **Eric Nawracaj**, New Lenox, IL (US)

(**) Term: **14 Years**

(21) Appl. No.: **29/394,808**

(22) Filed: **Jun. 21, 2011**

(51) **LOC (9) Cl.** **21-02**

(52) **U.S. Cl.** **D21/683; D24/190**

(58) **Field of Classification Search** D21/662,
D21/683, 684, 685; 482/50, 55, 92-94, 97-105,
482/124; D24/189, 190, 200, 206, 207; D30/144;
473/59, 63; 602/21, 64

See application file for complete search history.

(56) **References Cited**

U.S. PATENT DOCUMENTS

1,729,209	A *	9/1929	Curtice	482/105
3,149,839	A *	9/1964	Materia	473/59
3,490,766	A *	1/1970	Gardner	482/105
3,924,851	A	12/1975	Winston		
4,239,211	A *	12/1980	Wilkerson	482/105
4,247,101	A *	1/1981	Gallmeyer	473/63
4,623,143	A *	11/1986	Wuellenweber	482/105
D296,930	S *	7/1988	Carabelli	D24/190
4,756,525	A *	7/1988	Whitsitt	482/105
D297,343	S *	8/1988	Winston	D21/683
D307,054	S *	4/1990	Johnson, Jr.	D24/190
4,966,365	A *	10/1990	Winston	482/105

(Continued)

FOREIGN PATENT DOCUMENTS

GB 2137515 A 10/1984

OTHER PUBLICATIONS

ATP Pro Gear, Wrist Wrap Wrist Band Support Light to Medium All Black Works Great!!, <http://www.prowriststraps.com/inc/sdetail/28302>.

Primary Examiner — Susan E Krakower

(74) *Attorney, Agent, or Firm* — Amin Talati, LLC

(57) **CLAIM**

The ornamental design for a wrist weight, as shown and described.

DESCRIPTION

FIG. 1 is a perspective bottom view of a wrist weight showing my new design in an open unwrapped condition resting on a flat surface;

FIG. 2 is a perspective top view of the wrist weight of FIG. 1;

FIG. 3 is a bottom plan view of the wrist weight of FIG. 1;

FIG. 4 is a top plan view of the wrist weight of FIG. 1;

FIG. 5 is a left side view of the wrist weight of FIG. 4;

FIG. 6 is a right side view of the wrist weight of FIG. 4;

FIG. 7 is a front view of the wrist weight of FIG. 4;

FIG. 8 is a rear view of the wrist weight of FIG. 4;

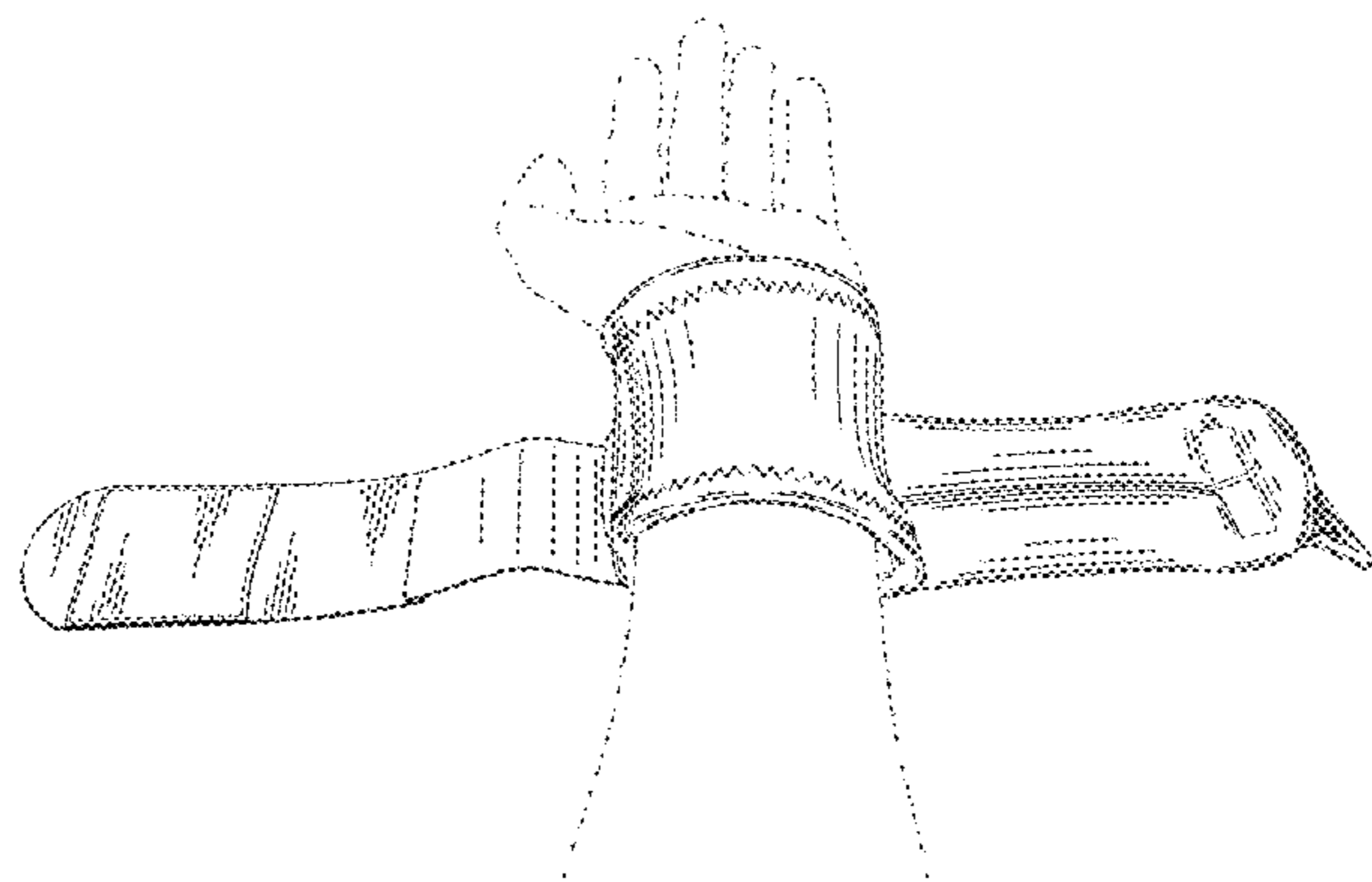
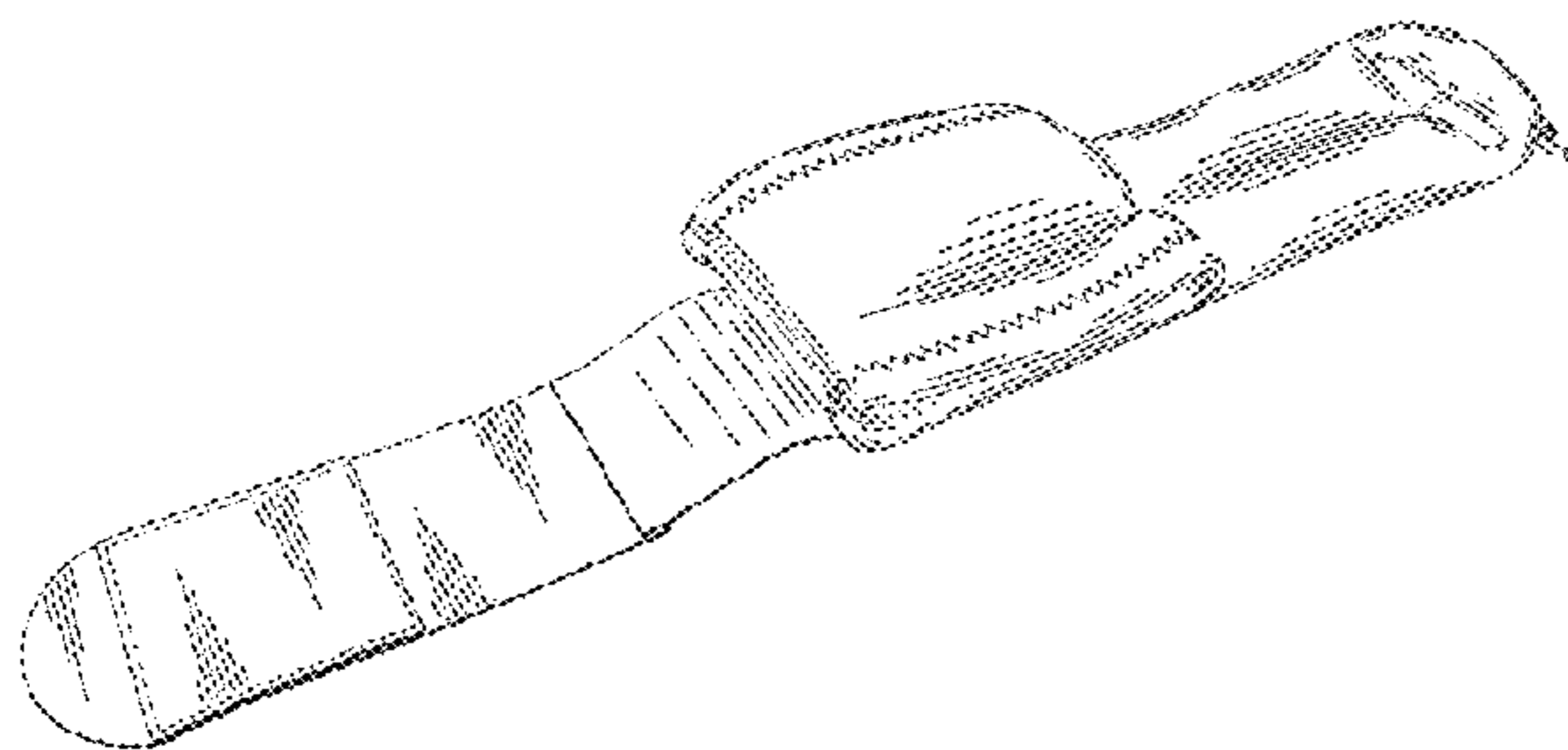
FIG. 9 is a perspective view of a wrist weight in an open unwrapped condition wherein a user's arm is inserted through the weight; and,

FIG. 10 is a perspective view of a wrist weight in a wrapped closed condition.

The dashed lines on the surface of the wrist weight represent stitching.

The remaining dot-dashed lines, which represent a user's arm, illustrate environment structure and form no part of the claimed design.

1 Claim, 8 Drawing Sheets



US D662,557 S

Page 2

U.S. PATENT DOCUMENTS

5,127,891	A	7/1992	Winston		
5,368,550	A	11/1994	Sisley		
5,413,553	A	5/1995	Downes		
D362,702	S *	9/1995	Winston	D21/683
5,704,883	A *	1/1998	Eckmann	482/105
D393,719	S *	4/1998	Nichols	D24/207
5,769,808	A	6/1998	Matthijs et al.		
D407,865	S	4/1999	Rylander		
D413,367	S *	8/1999	Eckmann	D21/683
D419,624	S *	1/2000	Eckmann	D21/683
D488,523	S *	4/2004	Hamlin	D21/683
D549,347	S	8/2007	Jennings-Spring		
D582,994	S *	12/2008	Ulichney et al.	D21/683
D582,995	S *	12/2008	Ulichney et al.	D21/683

* cited by examiner

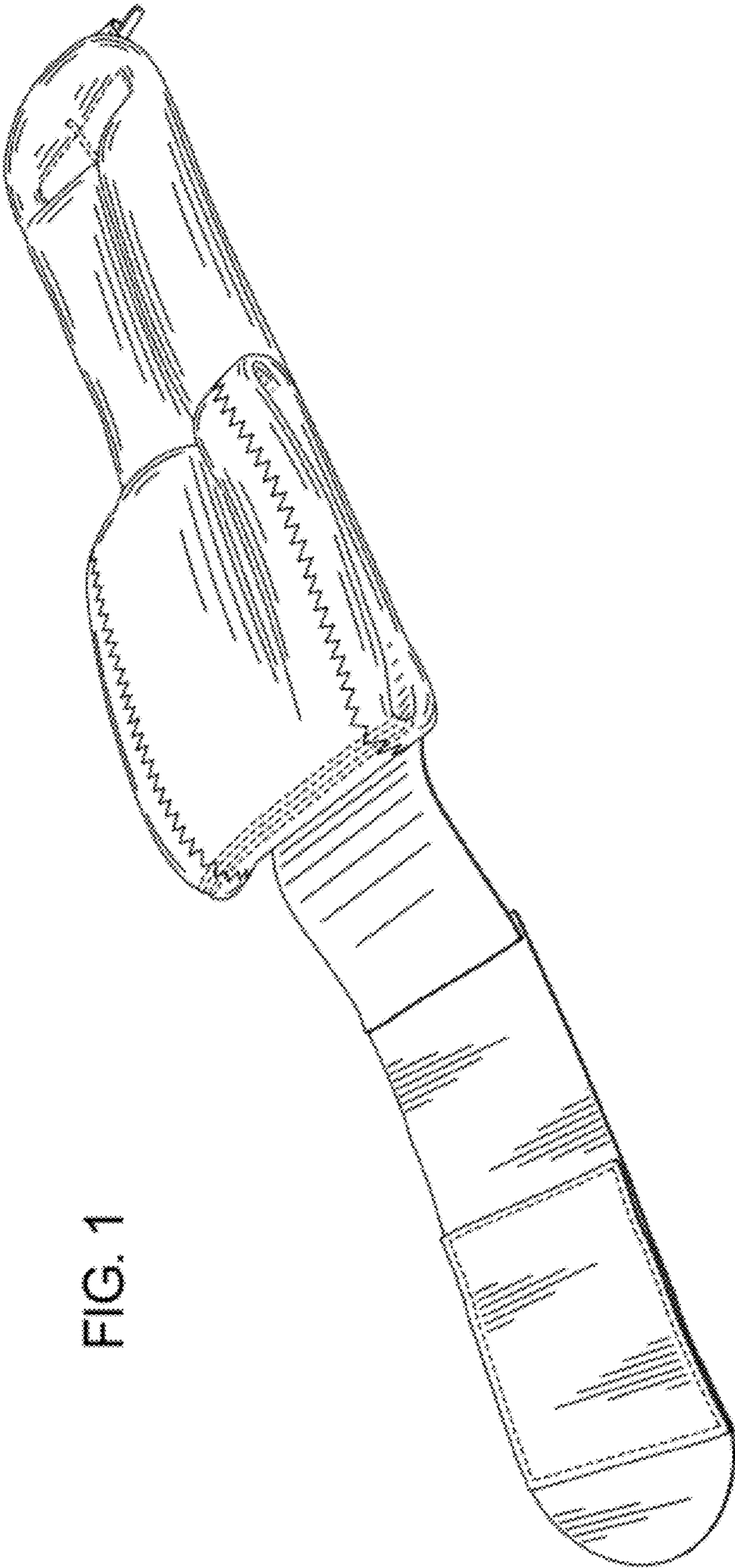


FIG. 1

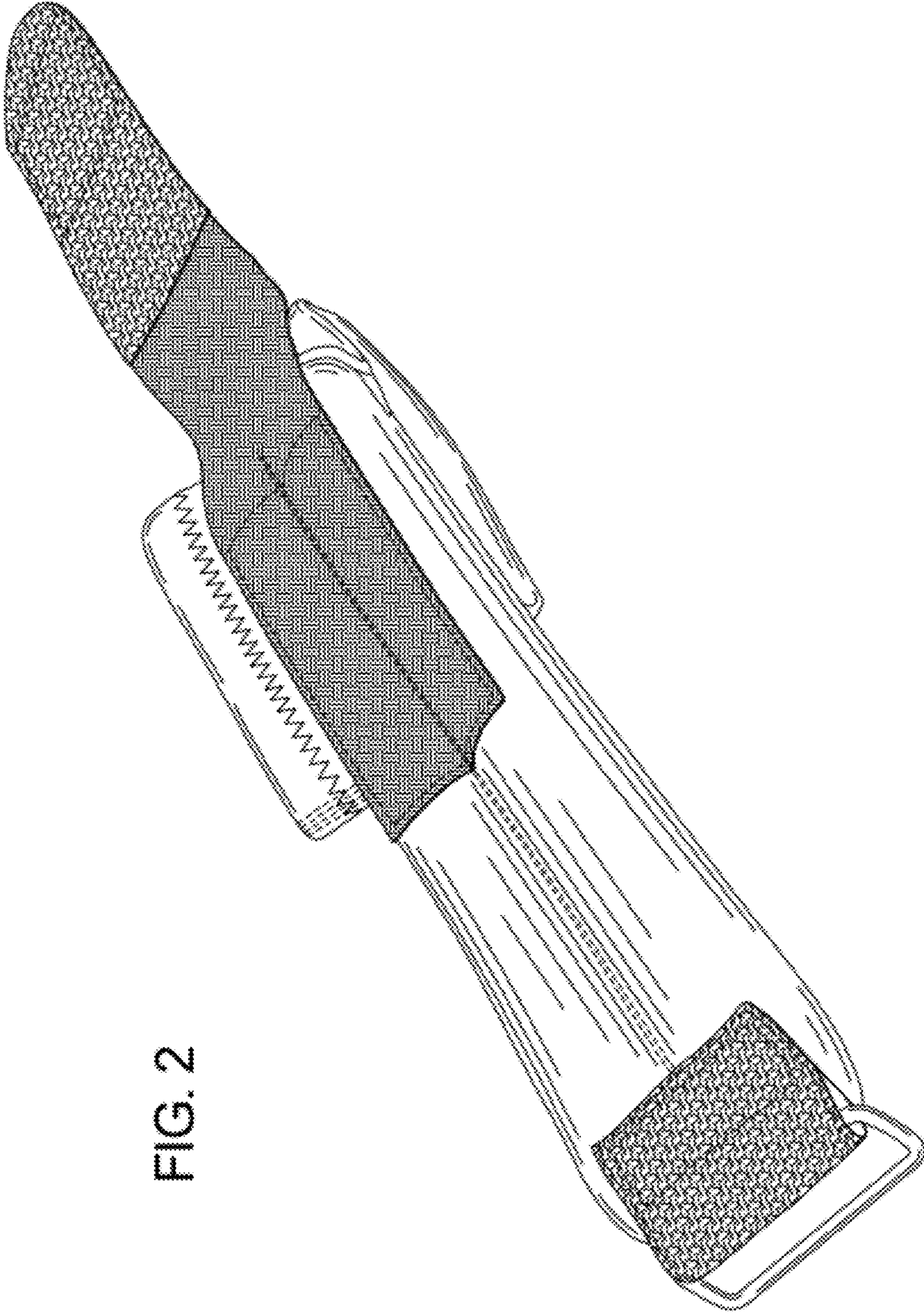


FIG. 2

FIG. 3

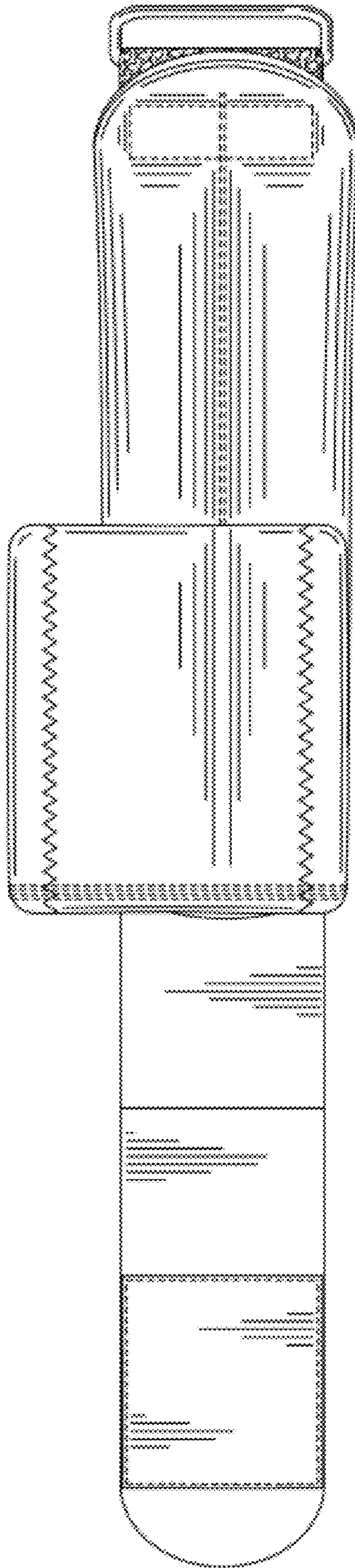


FIG. 4

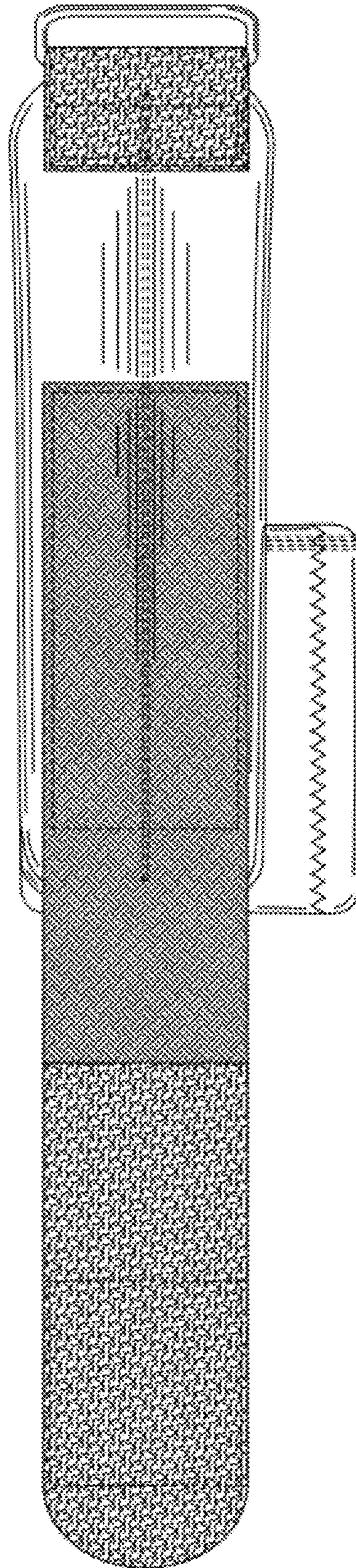


FIG. 5

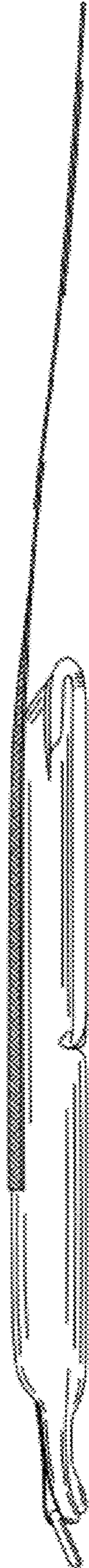


FIG. 6

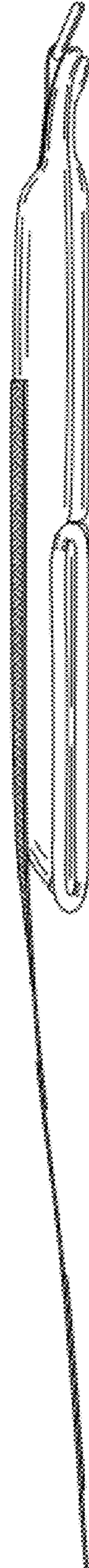
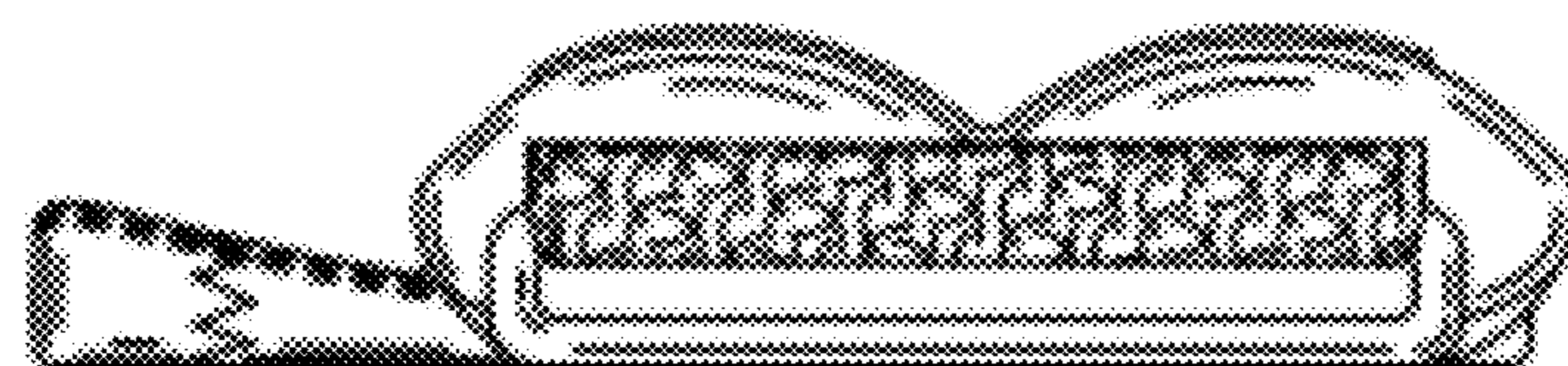


FIG. 7



FIG. 8



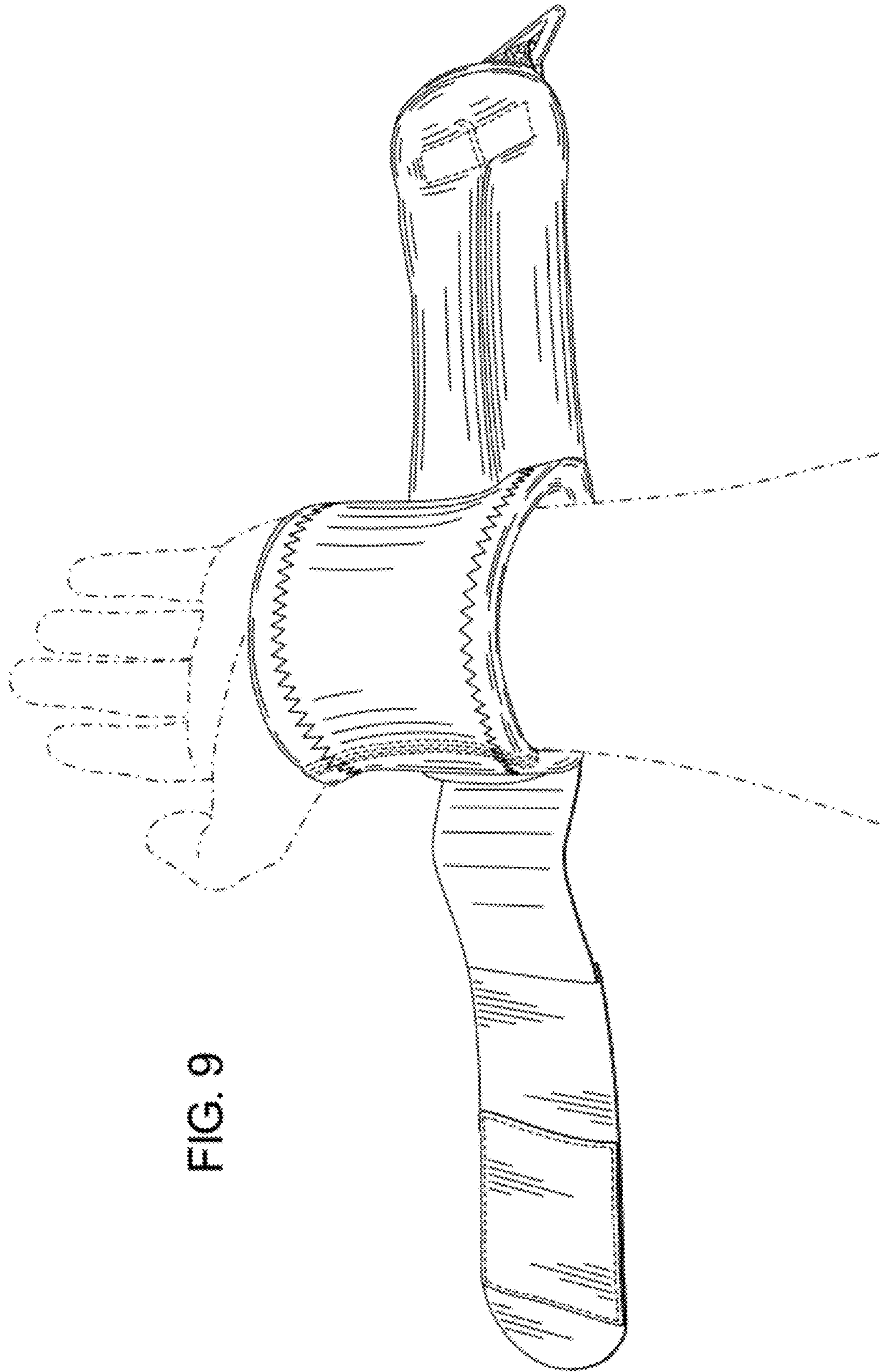


FIG. 9

FIG. 10

