

US00D662556S

(12) **United States Design Patent**  
**Horikoshi**

(10) **Patent No.:** **US D662,556 S**  
(45) **Date of Patent:** **\*\* Jun. 26, 2012**

(54) **TOY TOP**  
(75) Inventor: **Kenji Horikoshi**, Tokyo (JP)  
(73) Assignee: **Tomy Company, Ltd.**, Tokyo (JP)  
(\*\*) Term: **14 Years**  
(21) Appl. No.: **29/397,516**  
(22) Filed: **Jul. 18, 2011**

D629,468 S \* 12/2010 Ujita ..... D21/460  
D629,469 S \* 12/2010 Nishimoto ..... D21/460  
D639,348 S \* 6/2011 Ujita ..... D21/460  
D646,729 S \* 10/2011 Ujita ..... D21/460

**FOREIGN PATENT DOCUMENTS**

CN 301272686 \* 6/2010  
EM 001760604-0003 \* 10/2010  
EM 001791831-0001 \* 12/2010  
EM 001791831-0002 \* 12/2010

\* cited by examiner

*Primary Examiner* — Catherine Tuttle

(74) *Attorney, Agent, or Firm* — Nixon & Vanderhye P.C.

(30) **Foreign Application Priority Data**

Jan. 18, 2011 (JP) ..... 2011-000844

(51) **LOC (9) Cl.** ..... **21-01**  
(52) **U.S. Cl.** ..... **D21/460**  
(58) **Field of Classification Search** ..... D21/385,  
D21/390, 398, 436, 441–444, 453–464, 561,  
D21/563, 578, 585, 592; 446/34, 46–48,  
446/217, 218, 235–266, 429, 430, 435, 450–453,  
446/486, 487, 489–491  
See application file for complete search history.

(57) **CLAIM**

The ornamental design for a toy top, as shown and described.

**DESCRIPTION**

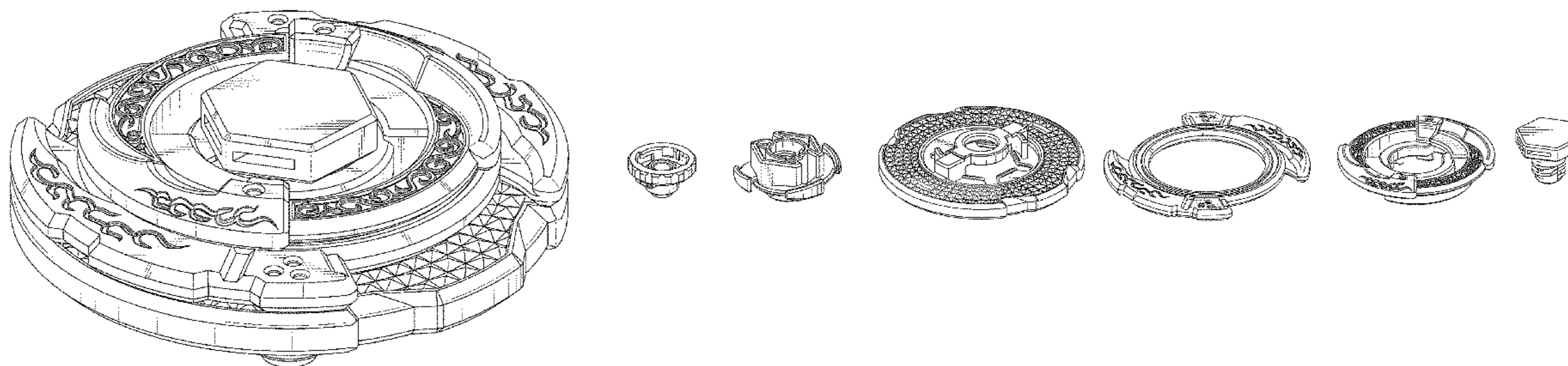
FIG. 1 is a perspective view of a toy top.  
FIG. 2 is a front elevation view thereof. A rear elevation view is omitted because it is identical to the front elevation view.  
FIG. 3 is a left side elevation view thereof. A right side elevation view is omitted because it is identical to the left side elevation view.  
FIG. 4 is a top plan view thereof.  
FIG. 5 is a bottom plan view thereof; and,  
FIG. 6 is a disassembled perspective view thereof.

(56) **References Cited**

**U.S. PATENT DOCUMENTS**

D614,245 S \* 4/2010 Ujita ..... D21/460  
D629,051 S \* 12/2010 Nishimoto ..... D21/460

**1 Claim, 6 Drawing Sheets**



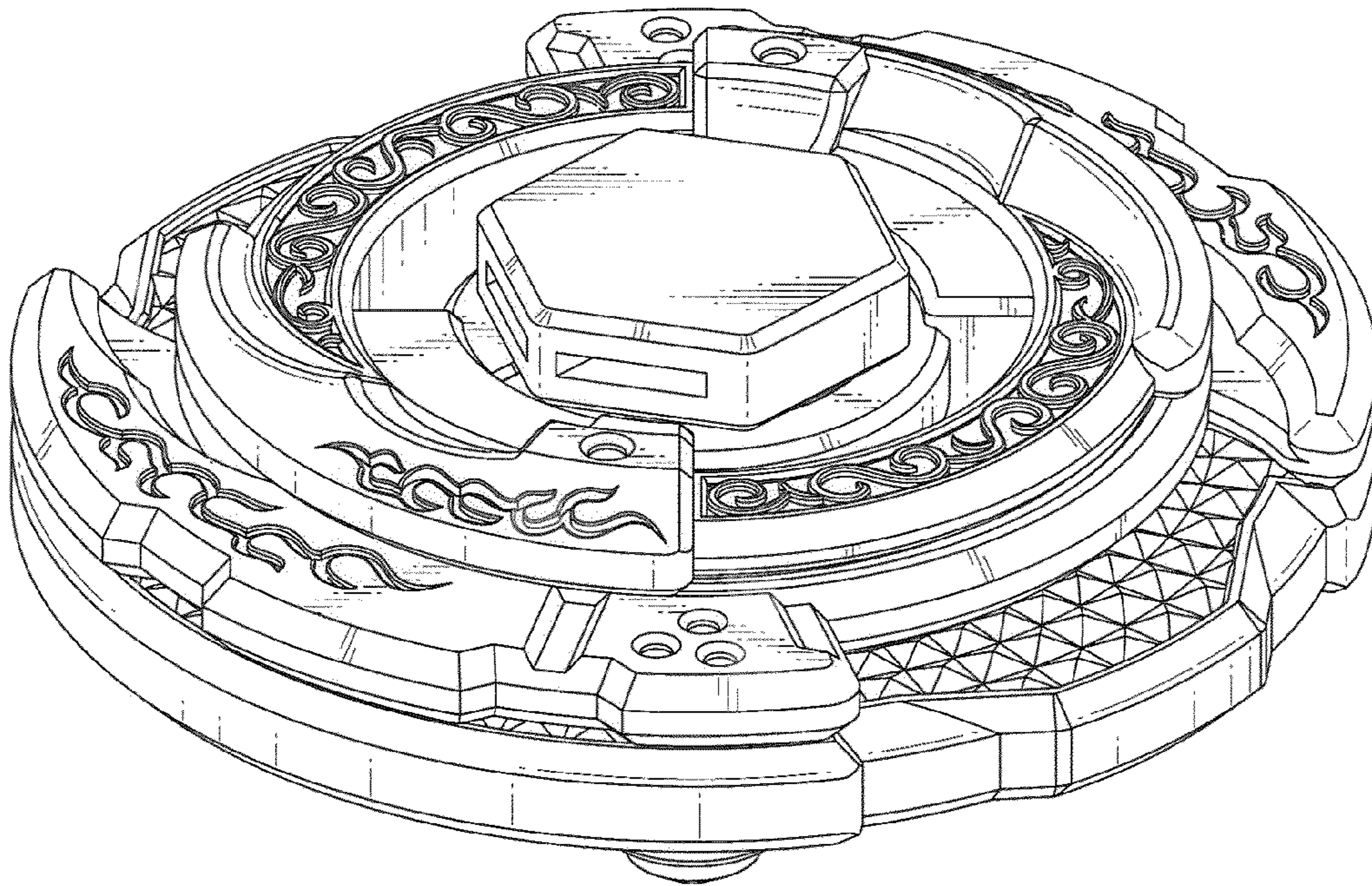


FIG. 1

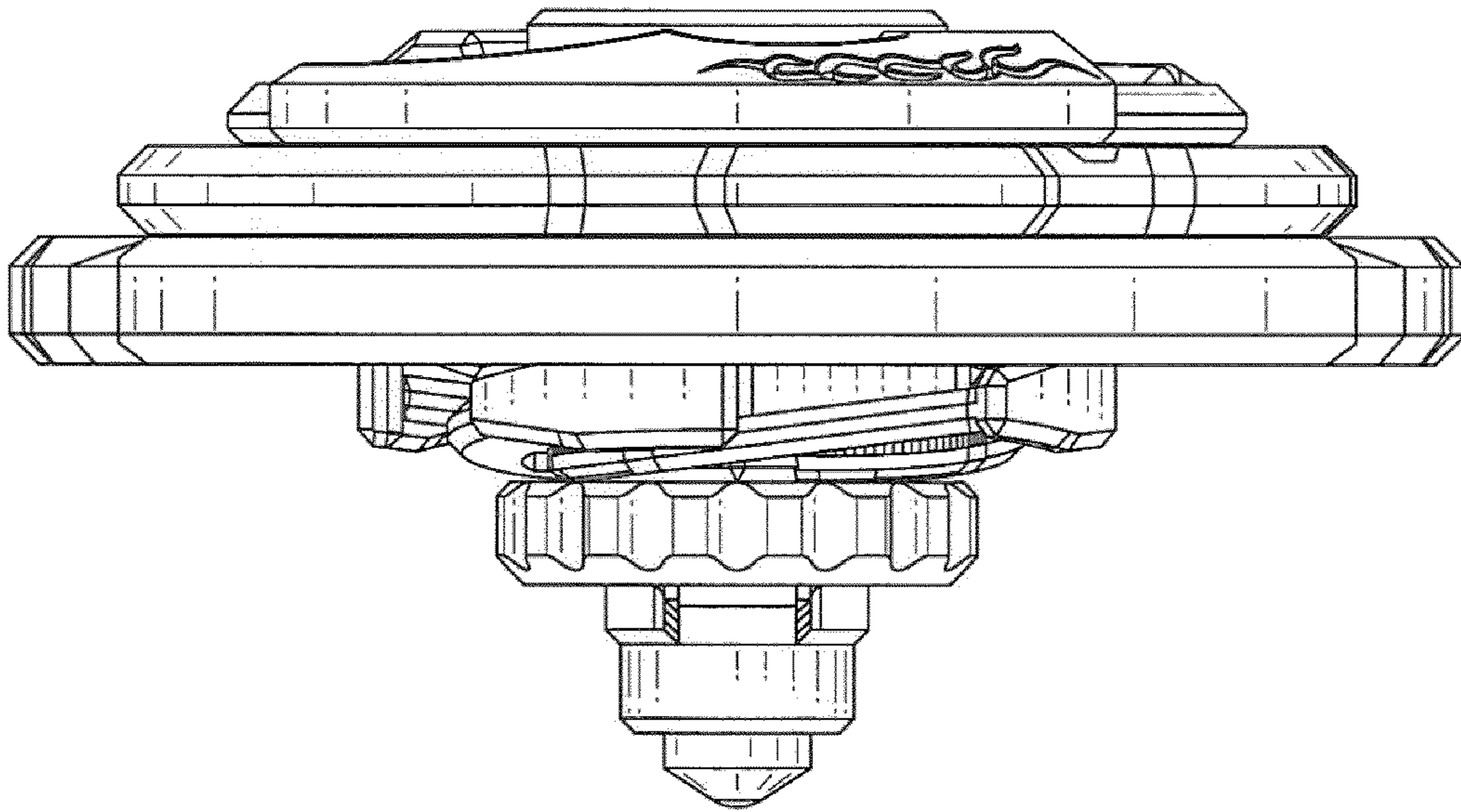


FIG. 2

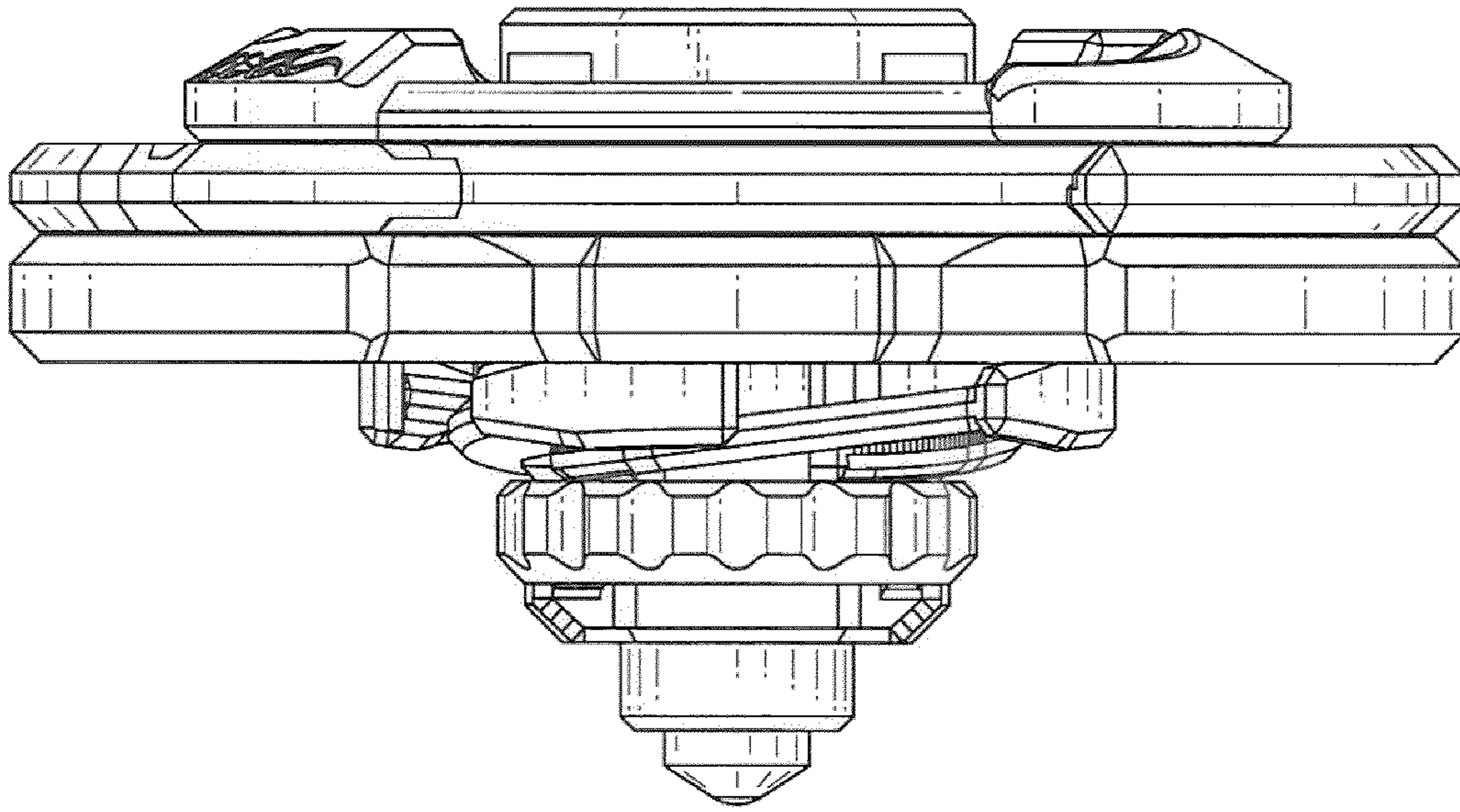


FIG. 3

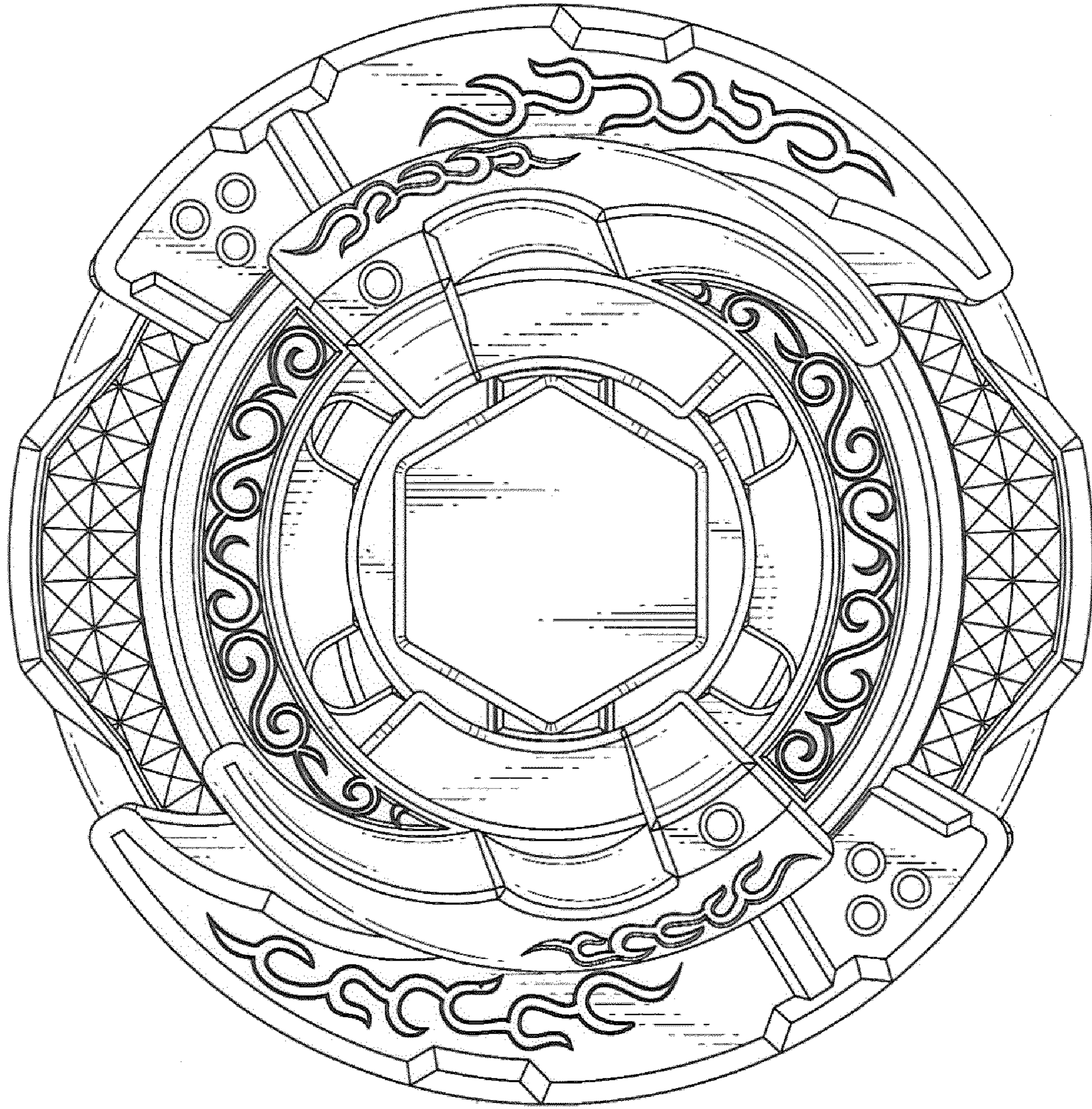


FIG. 4

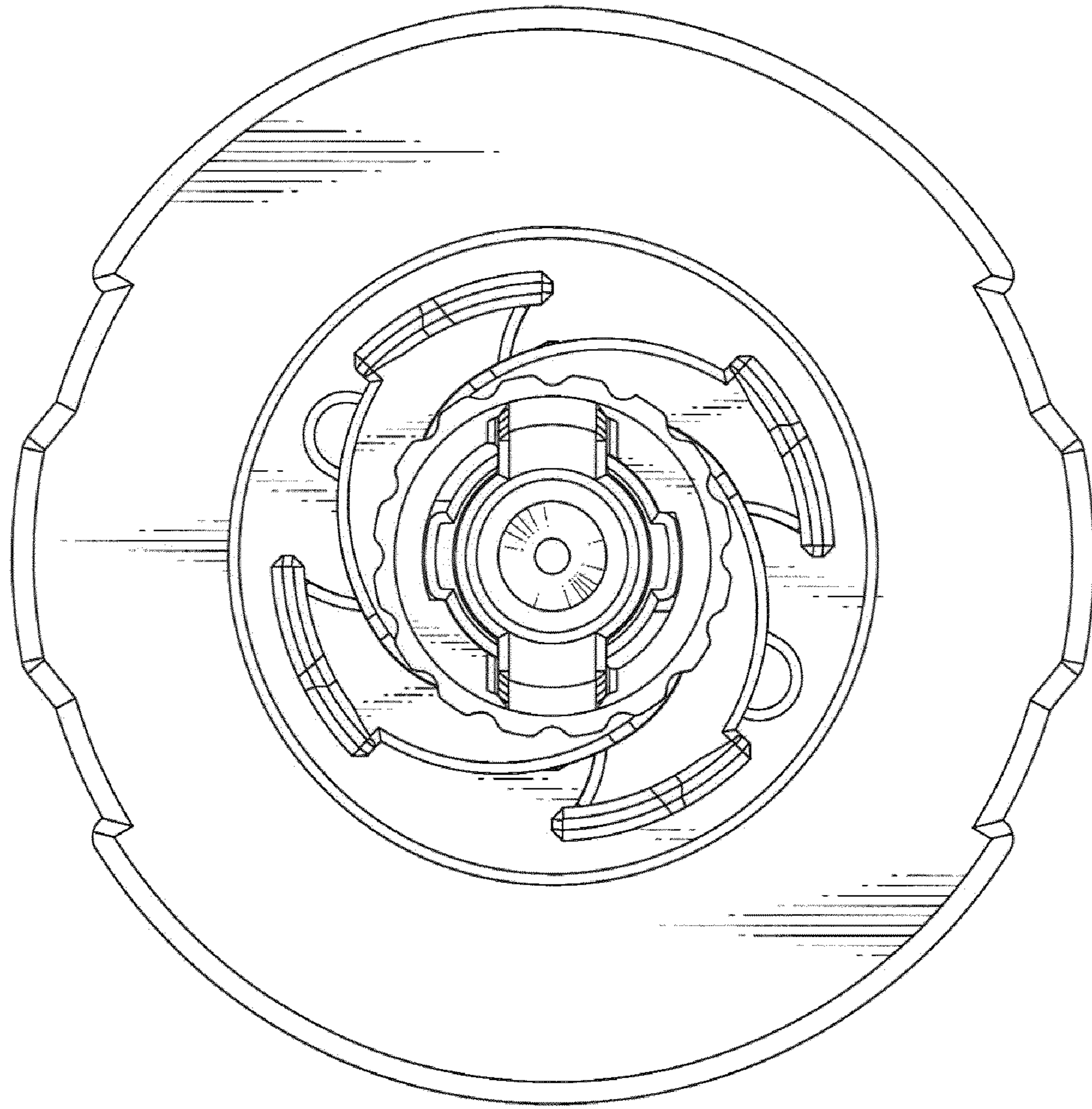


FIG. 5

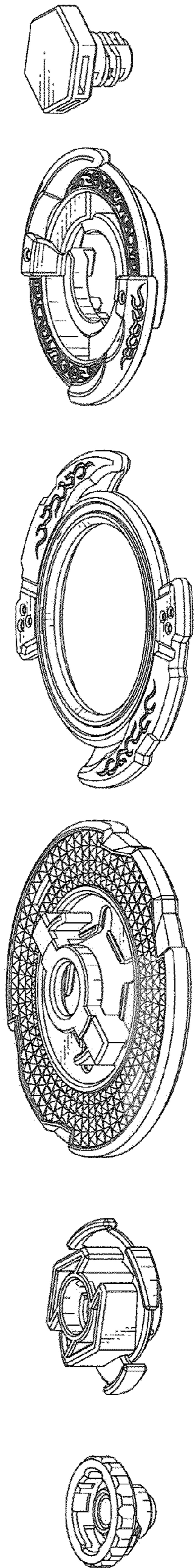


FIG. 6