

US00D662548S

(12) **United States Design Patent**
Bengyak

(10) **Patent No.:** **US D662,548 S**

(45) **Date of Patent:** **** Jun. 26, 2012**

(54) **HAND SIGN**

(76) Inventor: **Christopher Edward Bengyak**, Vero Beach, FL (US)

(**) Term: **14 Years**

(21) Appl. No.: **29/374,159**

(22) Filed: **Jul. 9, 2011**

(51) **LOC (9) Cl.** **20-03**

(52) **U.S. Cl.** **D20/29; D20/33**

(58) **Field of Classification Search** D20/10,
D20/19, 29-33, 36, 40, 99; 40/446, 538,
40/541, 584, 586; D2/615, 869; D21/400;
D28/63

See application file for complete search history.

(56) **References Cited**

U.S. PATENT DOCUMENTS

D360,653	S	*	7/1995	McKee	D20/33
D414,212	S	*	9/1999	Palardis	D20/29
D427,638	S	*	7/2000	Collins et al.	D20/10
D429,285	S	*	8/2000	Schini	D20/32
D495,749	S	*	9/2004	Van Veen et al.	D20/32
D555,205	S	*	11/2007	Strong	D20/10
D596,377	S	*	7/2009	Butler	D2/615
D628,650	S	*	12/2010	Lake	D20/33
D628,651	S	*	12/2010	Lake	D20/33
D633,152	S	*	2/2011	Scott	D20/33

(Continued)

OTHER PUBLICATIONS

Great Big Stuffed Cheese Hat—Marketing Alliance LLC—pulled from the web on Oct. 27, 2011 http://www.marketingalliancellc.com/ProductDetail/ProductDetail.aspx?Ntt=cheese+hat&kid=60357449&Ne=50&Ntx=mode+matchallpartial&BWS=0%7c2&N=0&DPSV_Id=298709&No=0&Ntk=WordSearchAsiLinename&Nr=LMSiteEligibility:1&id=5946300&pSRVC_Id=65.*

Primary Examiner — Mary Ann Calabrese

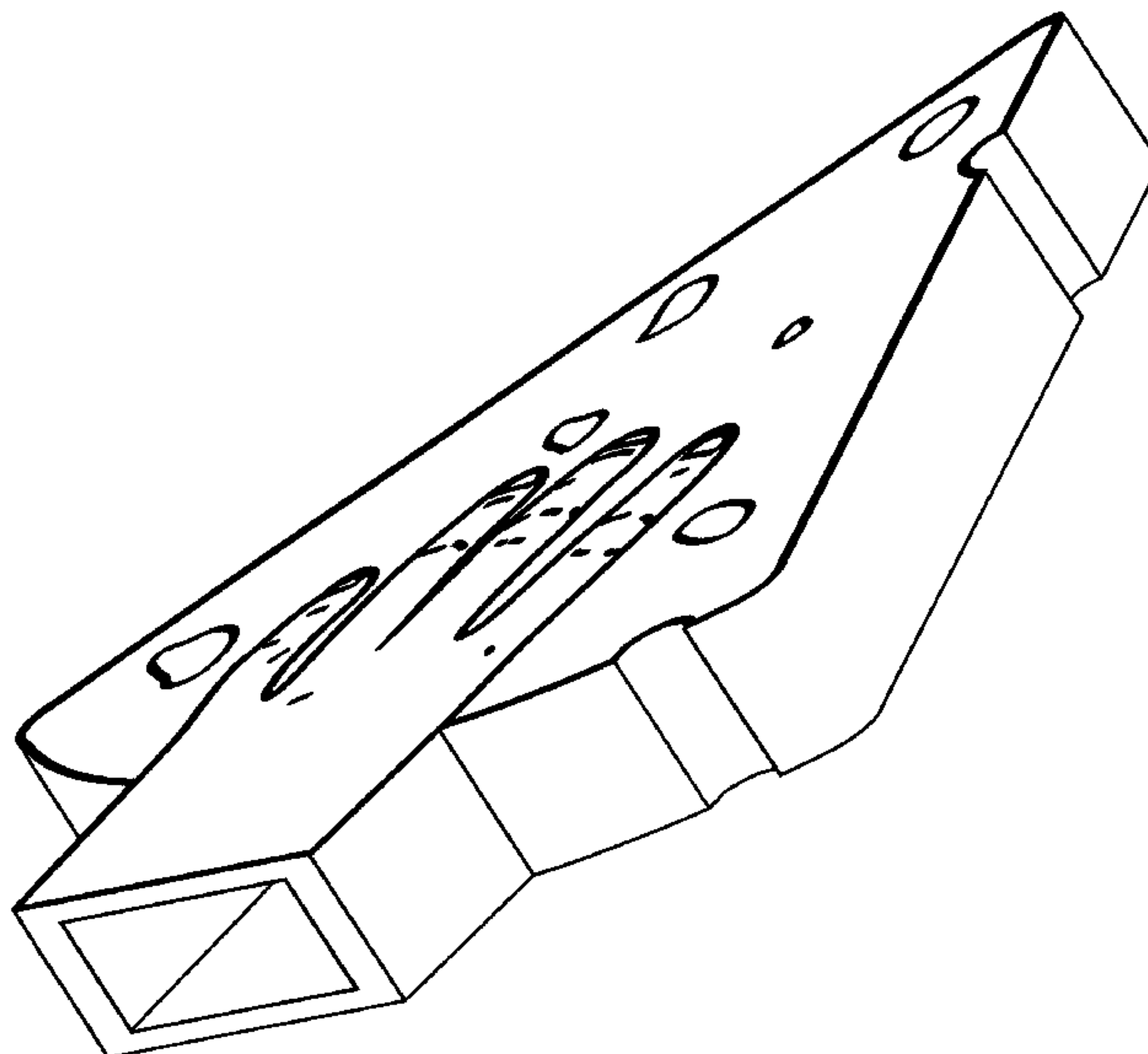
(57) **CLAIM**

The ornamental design for a hand sign, as shown and described.

DESCRIPTION

FIG. 1 is a right-side elevational view of a first embodiment of a left-hand hand sign according to the invention; FIG. 2 is a left-side elevational view of the left-hand hand sign of FIG. 1; FIG. 3 is a reduced scale rear elevational view of the left-hand hand sign of FIG. 1; FIG. 4 is a reduced scale top plan view of the left-hand hand sign of FIG. 1; FIG. 5 is a reduced scale bottom plan view of the left-hand hand sign of FIG. 1; FIG. 6 is a reduced scale front elevational view of the left-hand hand sign of FIG. 1; FIG. 7 is a perspective view from below the rear of the left side of the left-hand hand sign of FIG. 2; FIG. 8 is a perspective view from above the front of the left side of the left-hand hand sign of FIG. 2; FIG. 9 is a left-side elevational view of a second embodiment of a right-hand hand sign according to the invention; FIG. 10 is a right-side elevational view of the right-hand hand sign of FIG. 9; FIG. 11 is a reduced scale front elevational view of the right-hand hand sign of FIG. 9; FIG. 12 is a reduced scale top plan view of the right-hand hand sign of FIG. 9; FIG. 13 is a reduced scale bottom plan view of the right-hand hand sign of FIG. 9; FIG. 14 is a reduced scale rear elevational view of the right-hand hand sign of FIG. 9; FIG. 15 is a perspective view from below the rear of the right side of the right-hand hand sign of FIG. 10; and, FIG. 16 is a perspective view from above the front of the right side of the right-hand hand sign of FIG. 10.

1 Claim, 10 Drawing Sheets



US D662,548 S

Page 2

U.S. PATENT DOCUMENTS

D633,945 S *	3/2011	Scott	D20/33	D641,791 S *	7/2011	Scott	D20/33
D633,946 S *	3/2011	Scott	D20/33	D647,571 S *	10/2011	Bengyak	D20/33
D641,424 S *	7/2011	Bengyak	D20/29	2003/0074819 A1*	4/2003	Corona	40/586

* cited by examiner

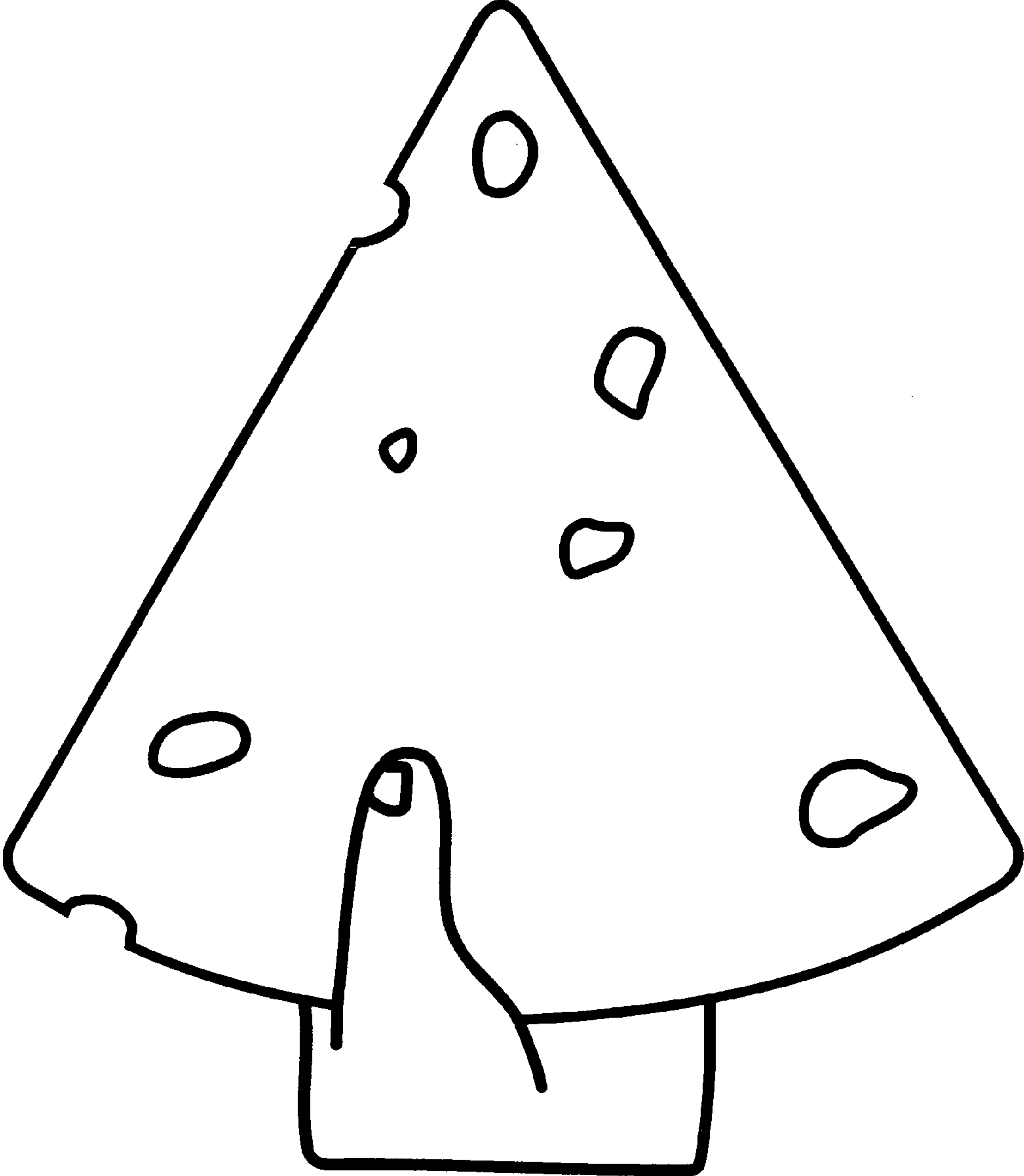


FIG. 1

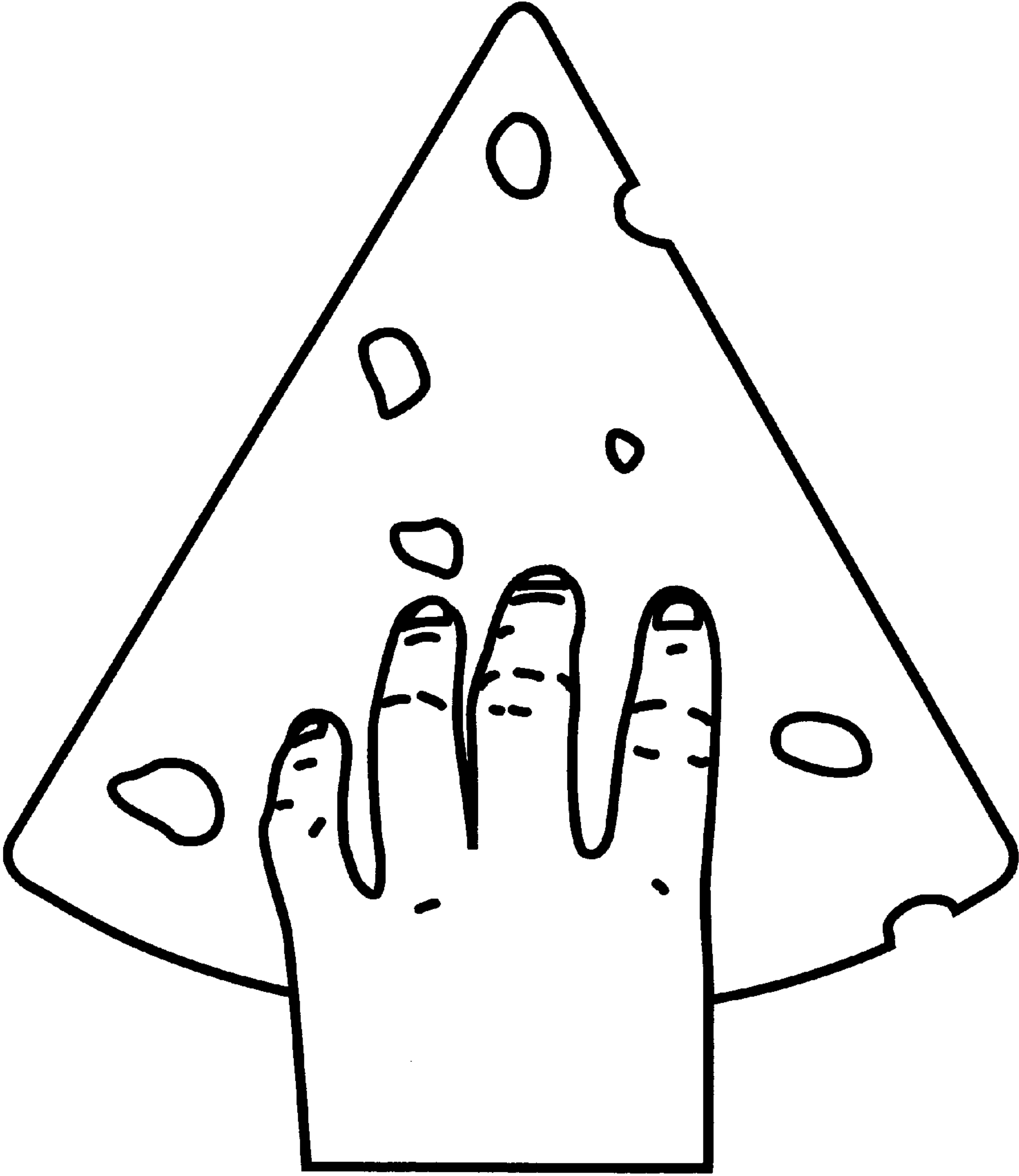


FIG. 2

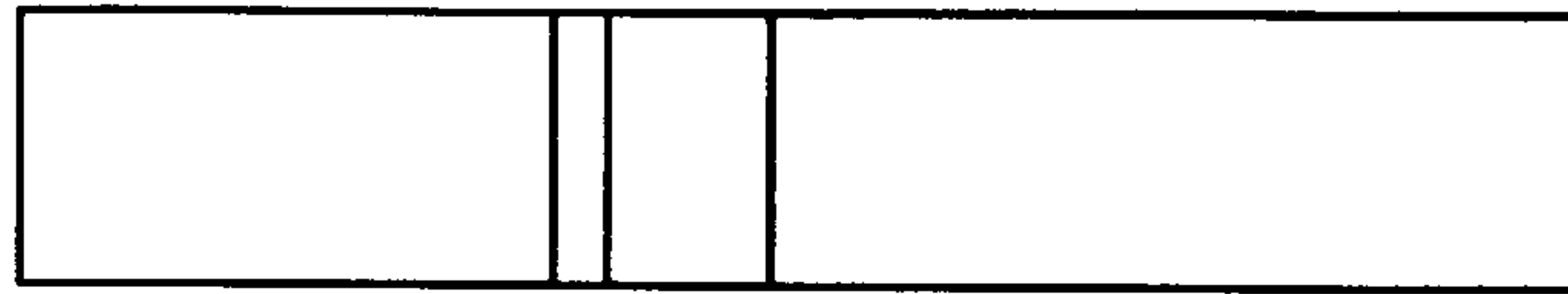


FIG. 4



FIG. 3



FIG. 6

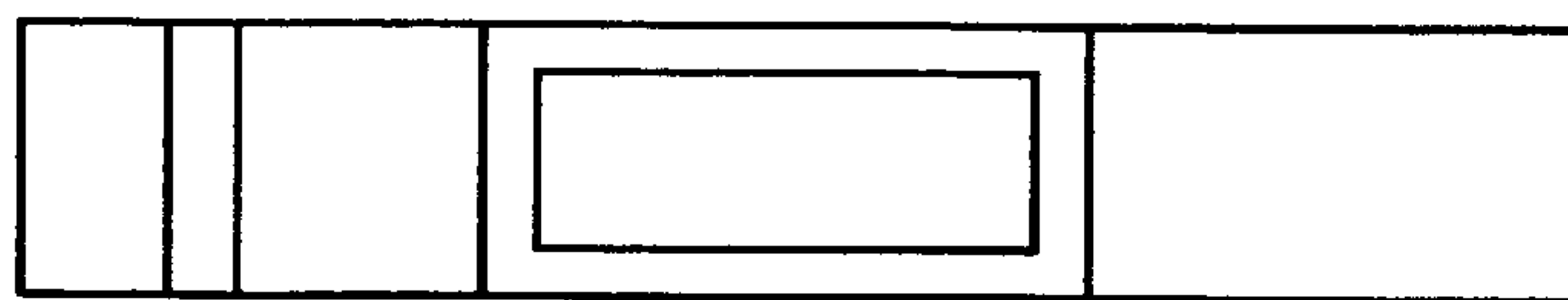


FIG. 5

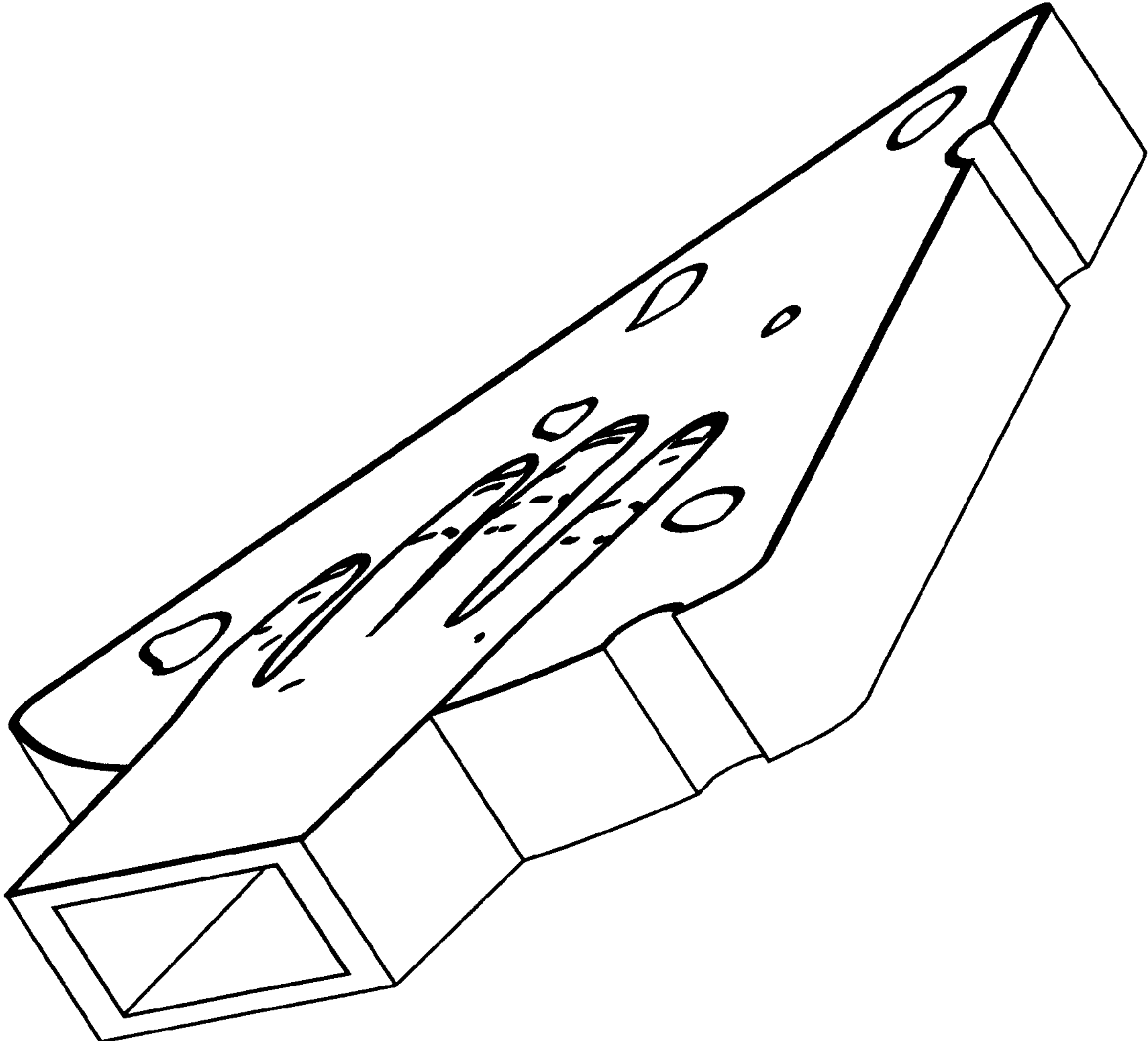


FIG. 7

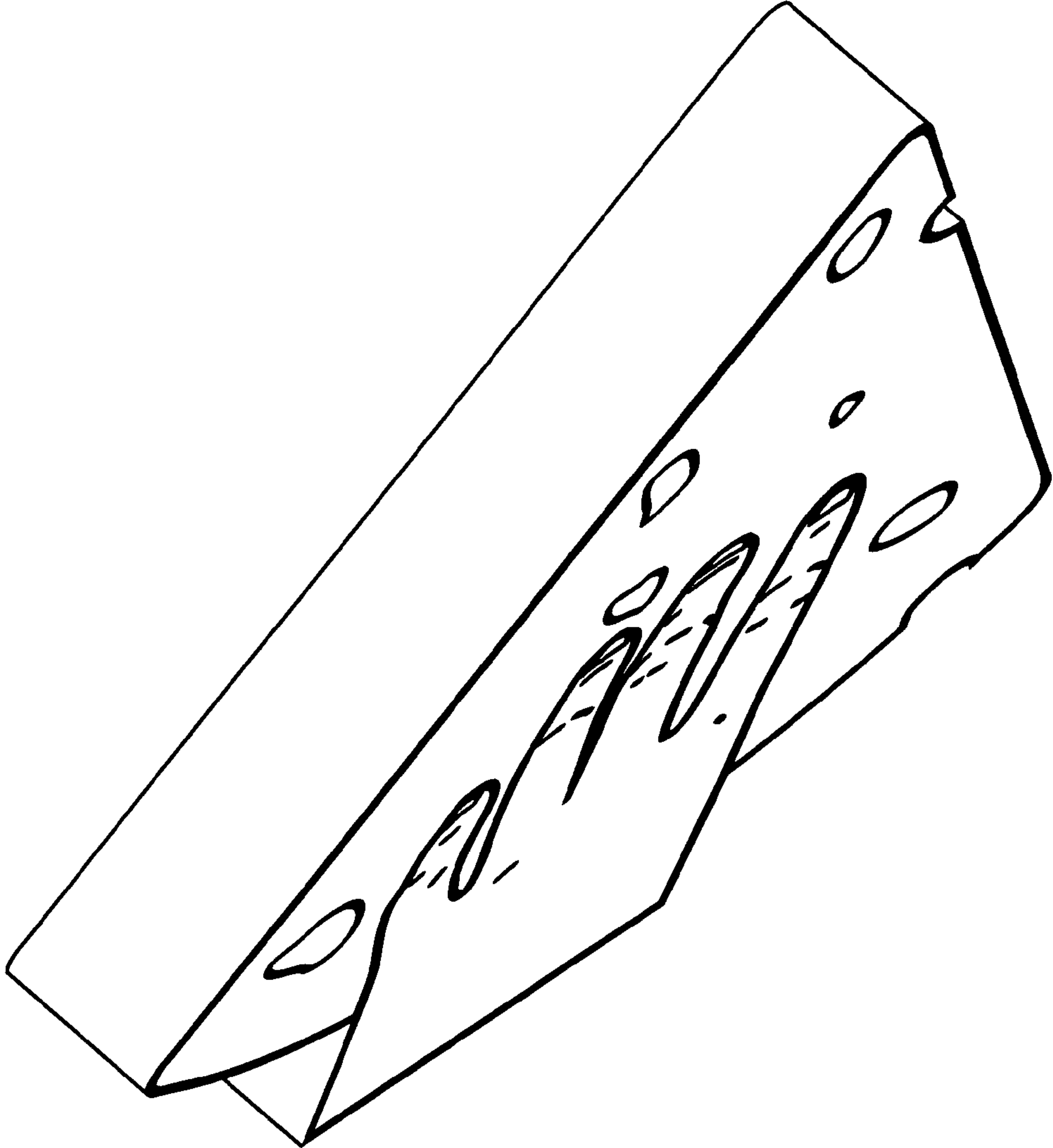


FIG. 8

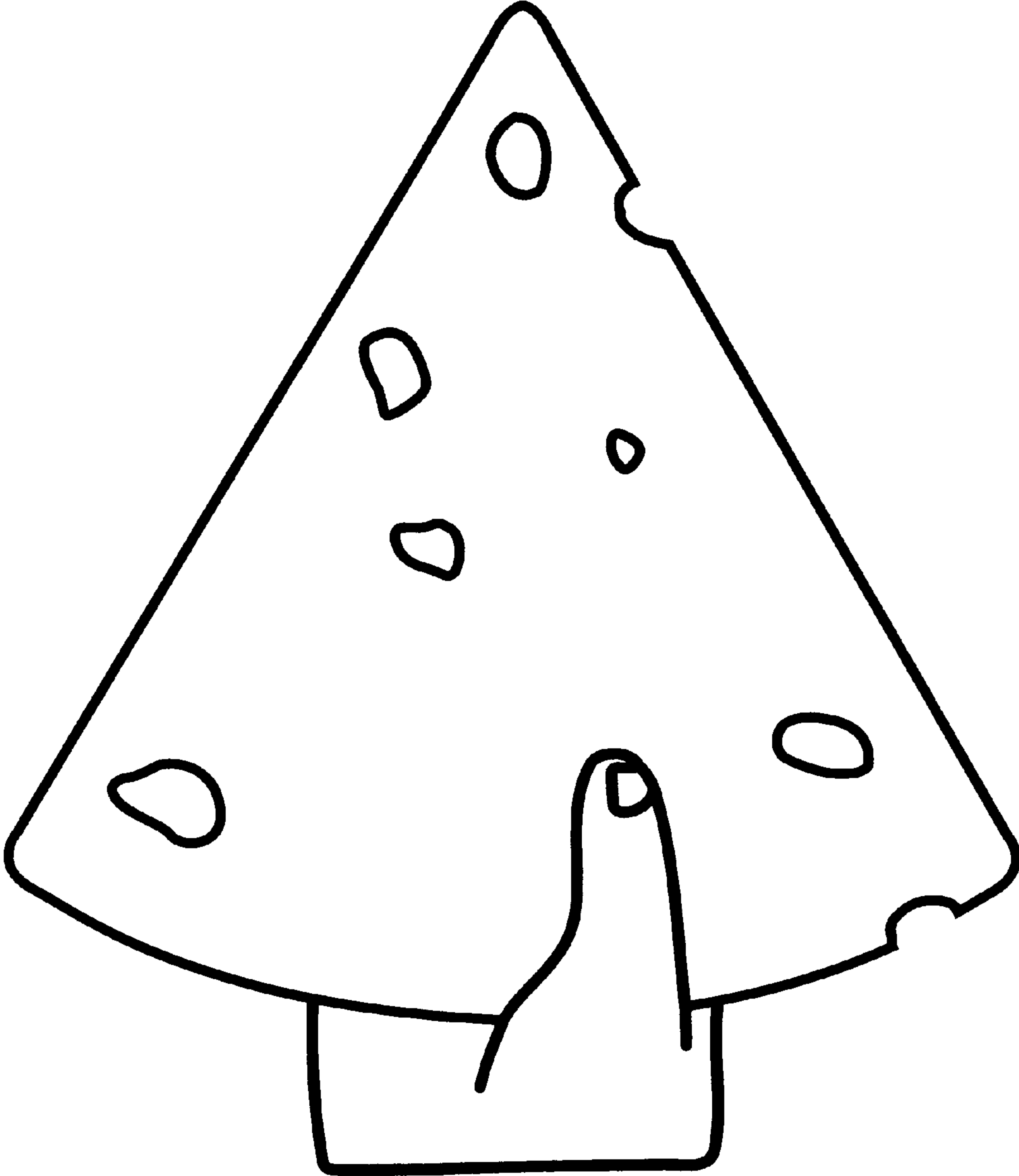


FIG. 9

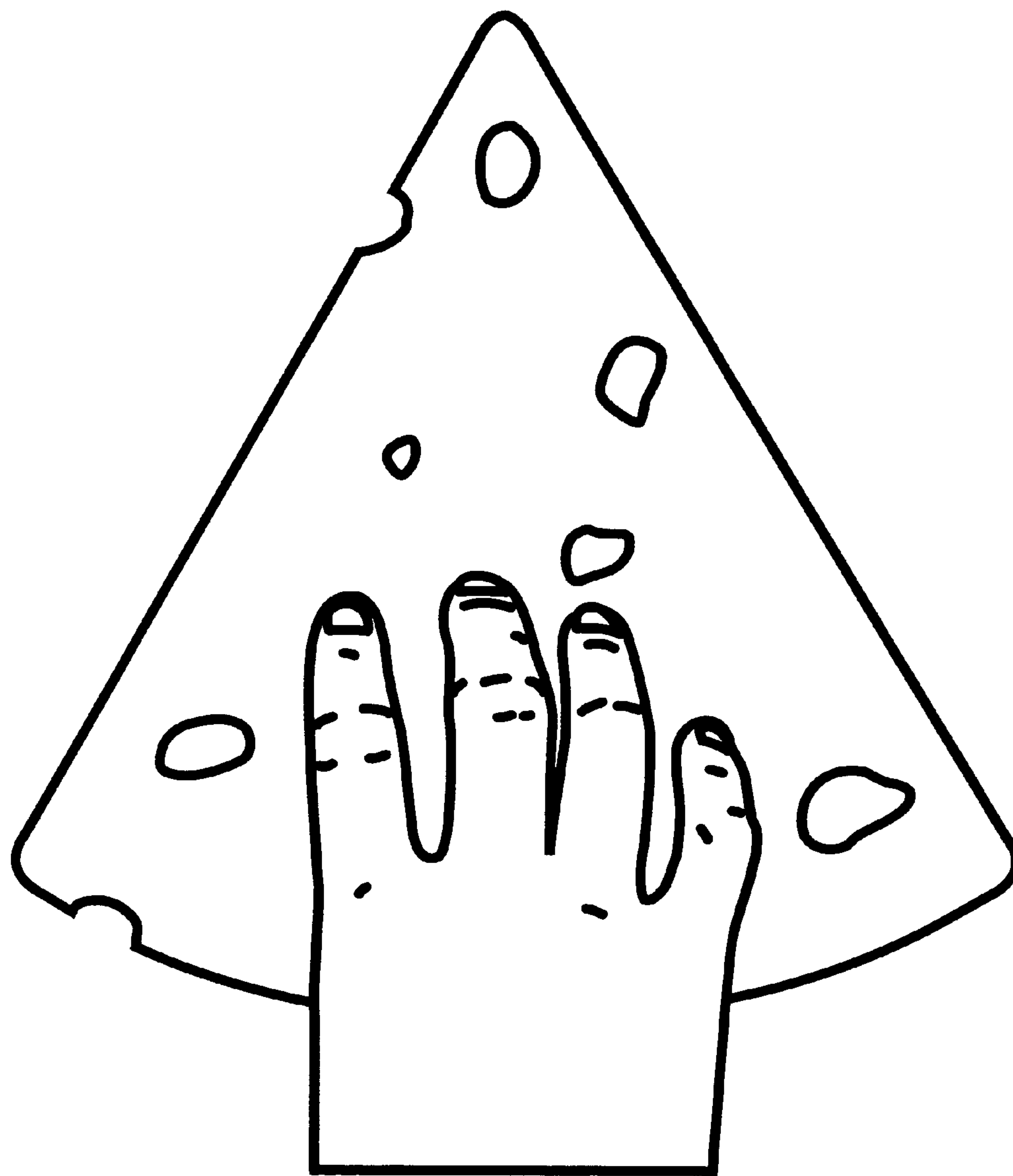


FIG. 10

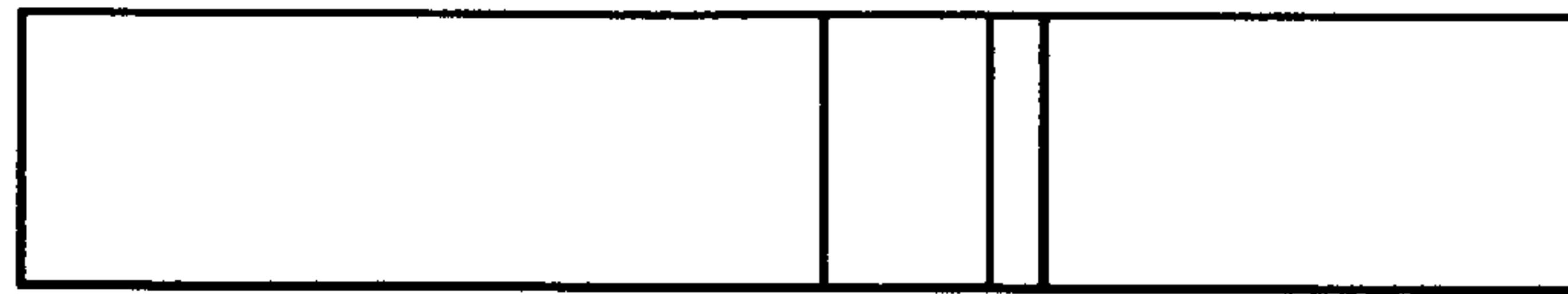


FIG. 12

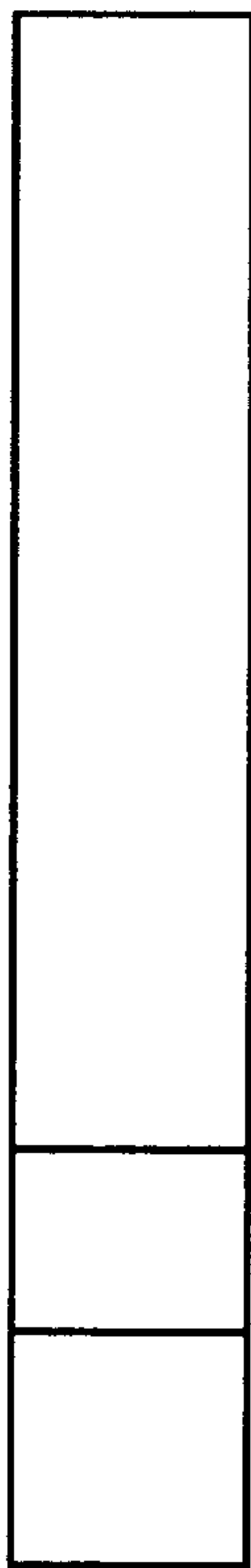


FIG. 11

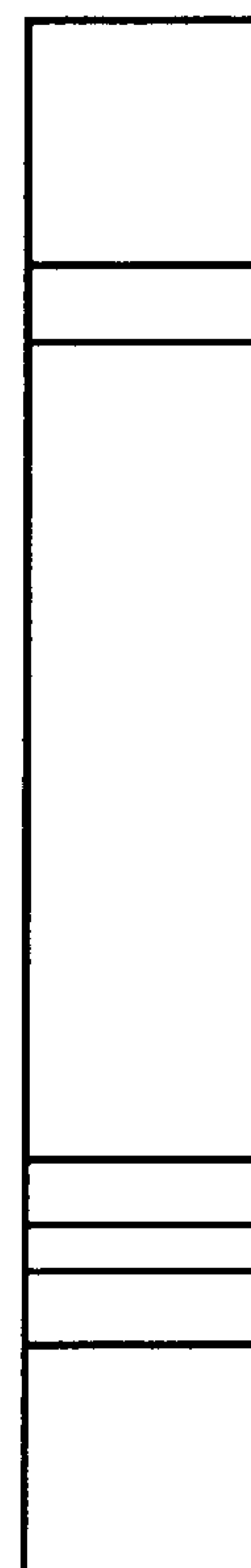


FIG. 14

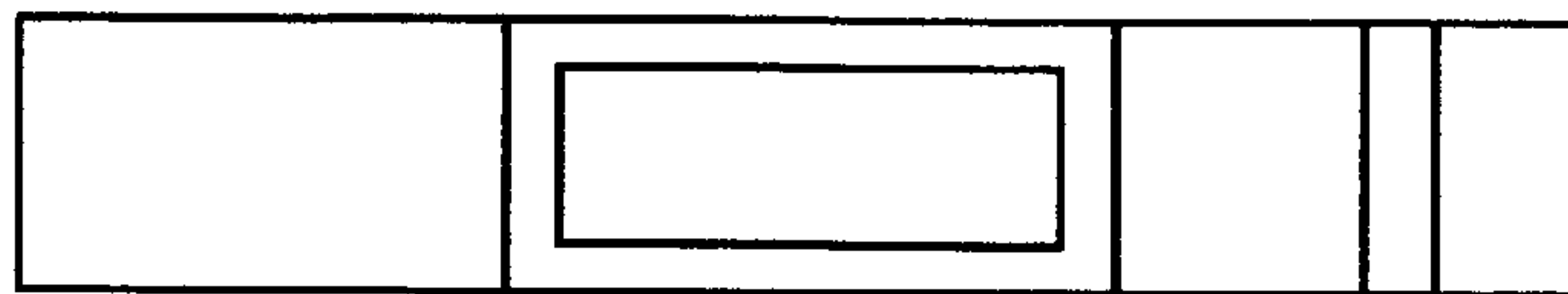


FIG. 13

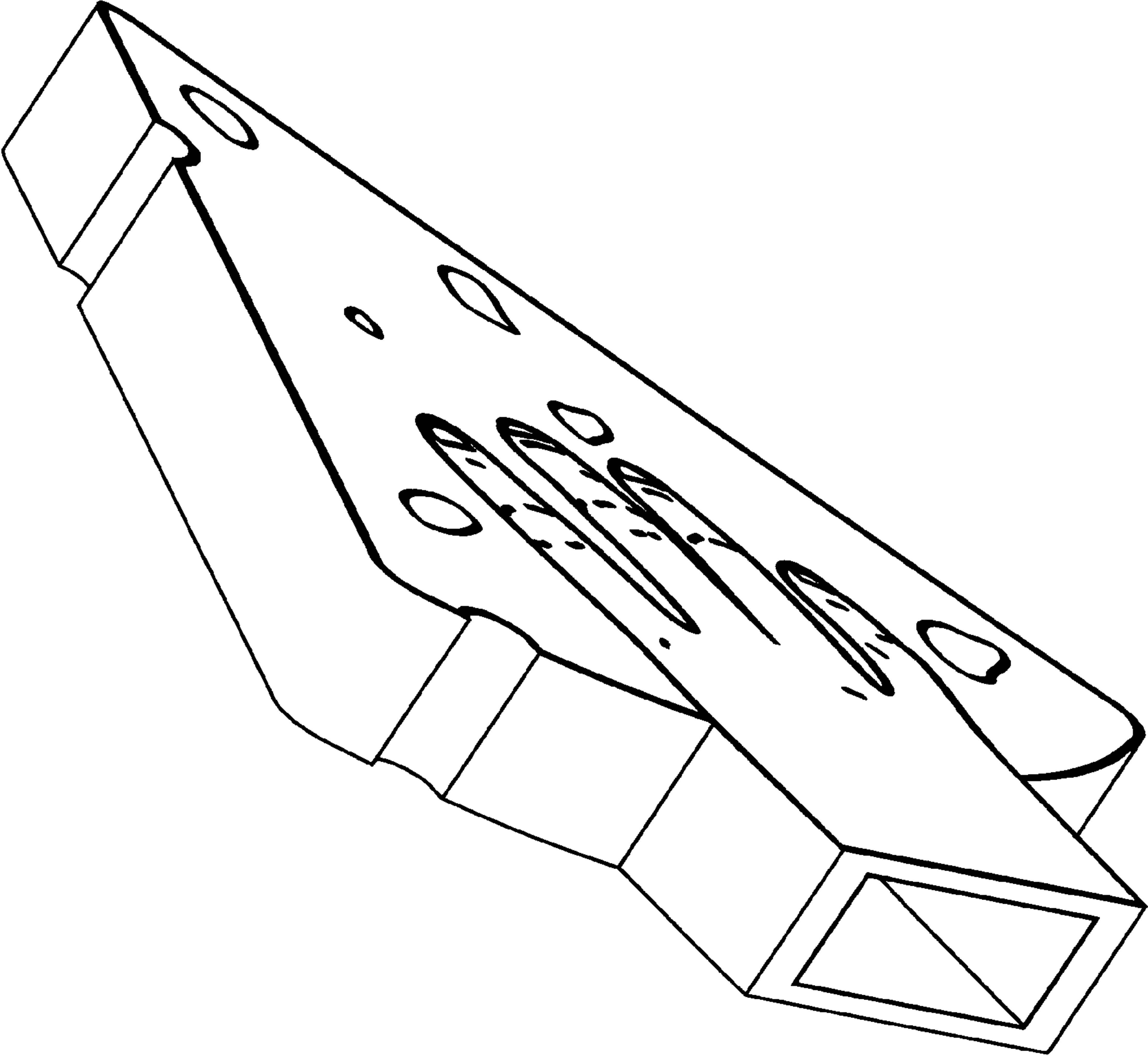


FIG. 15

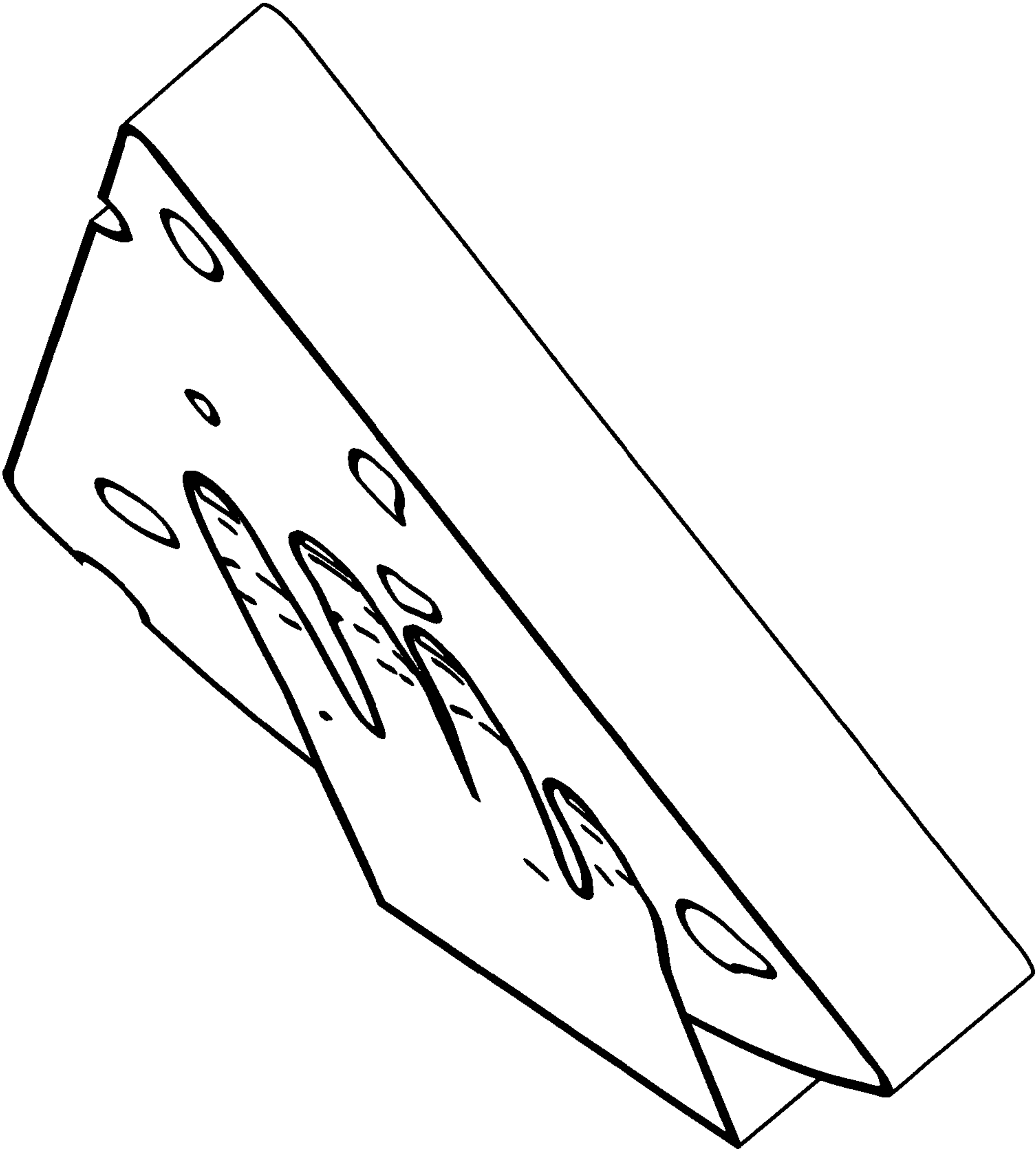


FIG. 16