



US00D662547S

(12) **United States Design Patent**
Sternberg

(10) **Patent No.:** **US D662,547 S**

(45) **Date of Patent:** **** Jun. 26, 2012**

(54) **LABEL DISPENSER UNIT**

(75) Inventor: **Todd Sternberg**, Dallas, TX (US)

(73) Assignee: **Start Manufacturing, Inc.**, Addison, TX (US)

(**) Term: **14 Years**

(21) Appl. No.: **29/410,363**

(22) Filed: **Jan. 6, 2012**

(51) **LOC (9) Cl.** **08-02**

(52) **U.S. Cl.** **D19/69**

(58) **Field of Classification Search** D19/36,
D19/70, 69, 68, 67; D13/133, 146; 242/588.6,
242/588.3, 588.2; 225/77, 6, 56, 69, 26,
225/25, 19, 11; 206/411; 156/577, 527,
156/523; 221/73

See application file for complete search history.

(56) **References Cited**

U.S. PATENT DOCUMENTS

2,754,994	A *	7/1956	Cole	221/73
D252,756	S *	8/1979	Rogers	D19/67
5,060,821	A *	10/1991	Berger et al.	221/190
5,065,896	A *	11/1991	Jurgich	221/73
D325,394	S *	4/1992	Ishii	D19/68
5,261,563	A *	11/1993	Brimhall	221/73
5,449,090	A *	9/1995	Rodriguez	221/73
5,570,809	A *	11/1996	Martin	221/73
5,674,350	A *	10/1997	Jurgich	156/540
D399,257	S *	10/1998	Tang et al.	D19/69

6,533,015	B1 *	3/2003	Moore	156/540
D498,262	S *	11/2004	Bhavnani	D19/69
D500,087	S *	12/2004	Siegel	D19/69
7,871,009	B1 *	1/2011	Blonigen et al.	235/487
8,028,734	B2 *	10/2011	Wermuth	156/361
2003/0071051	A1 *	4/2003	Martinsen	221/70
2005/0279463	A1 *	12/2005	Ridenour	156/541

* cited by examiner

Primary Examiner — Austin Murphy

(74) *Attorney, Agent, or Firm* — Gardere Wynne Sewell LLP

(57) **CLAIM**

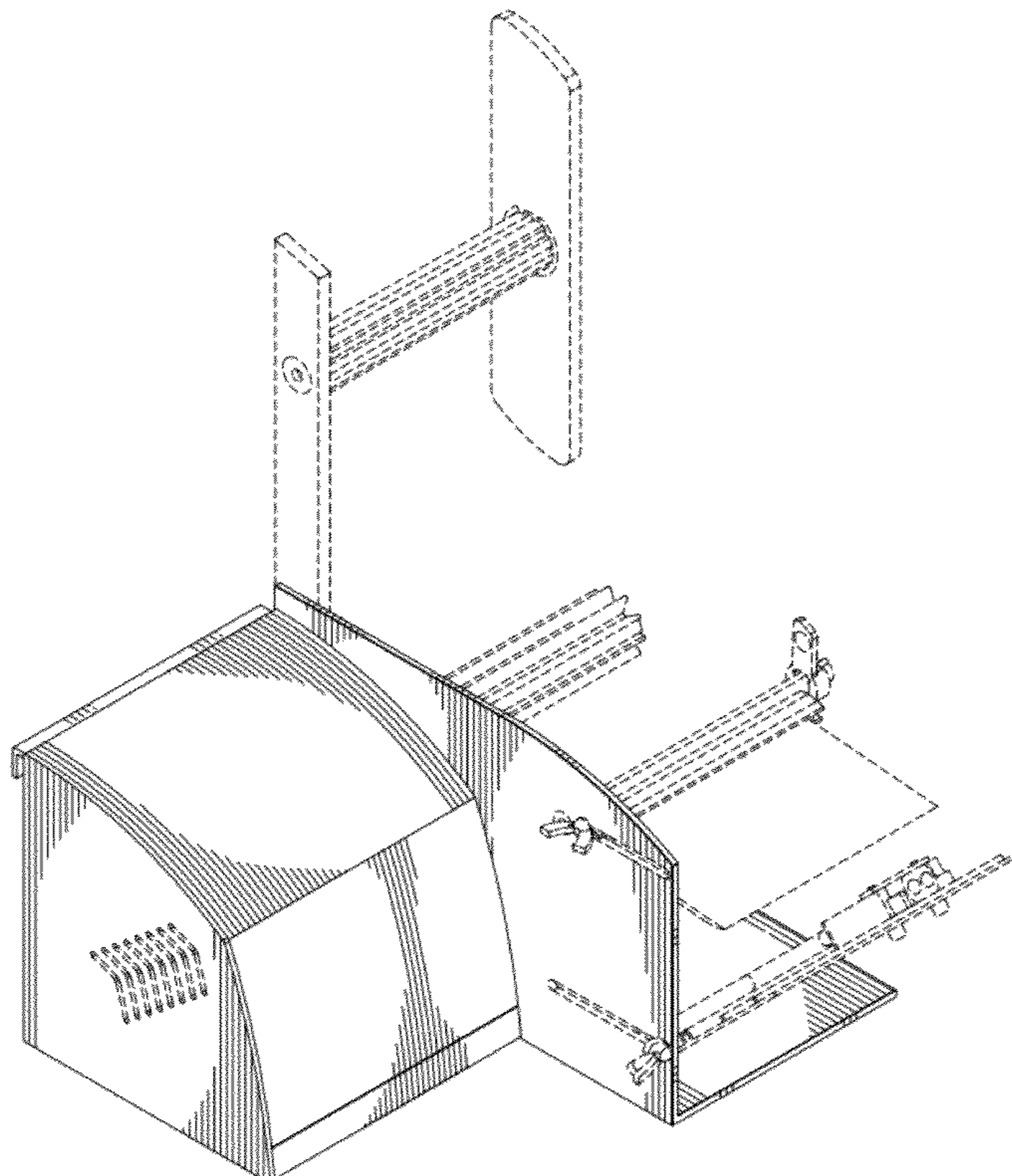
The ornamental design for a label dispenser unit, as shown and described.

DESCRIPTION

FIG. 1 is a first perspective view of a label dispenser unit; FIG. 2 is a front view of the label dispenser unit shown in FIG. 1; FIG. 3 is a rear view of the label dispenser unit shown in FIG. 1; FIG. 4 is a right side view of the label dispenser unit shown in FIG. 1; FIG. 5 is a left side view of the label dispenser unit shown in FIG. 1; FIG. 6 is top view of the label dispenser unit shown in FIG. 1; and, FIG. 7 is a bottom view of the label dispenser unit shown in FIG. 1.

The broken lines shown in the drawings represent portions of the label dispenser unit that form no part of the claimed design.

1 Claim, 7 Drawing Sheets



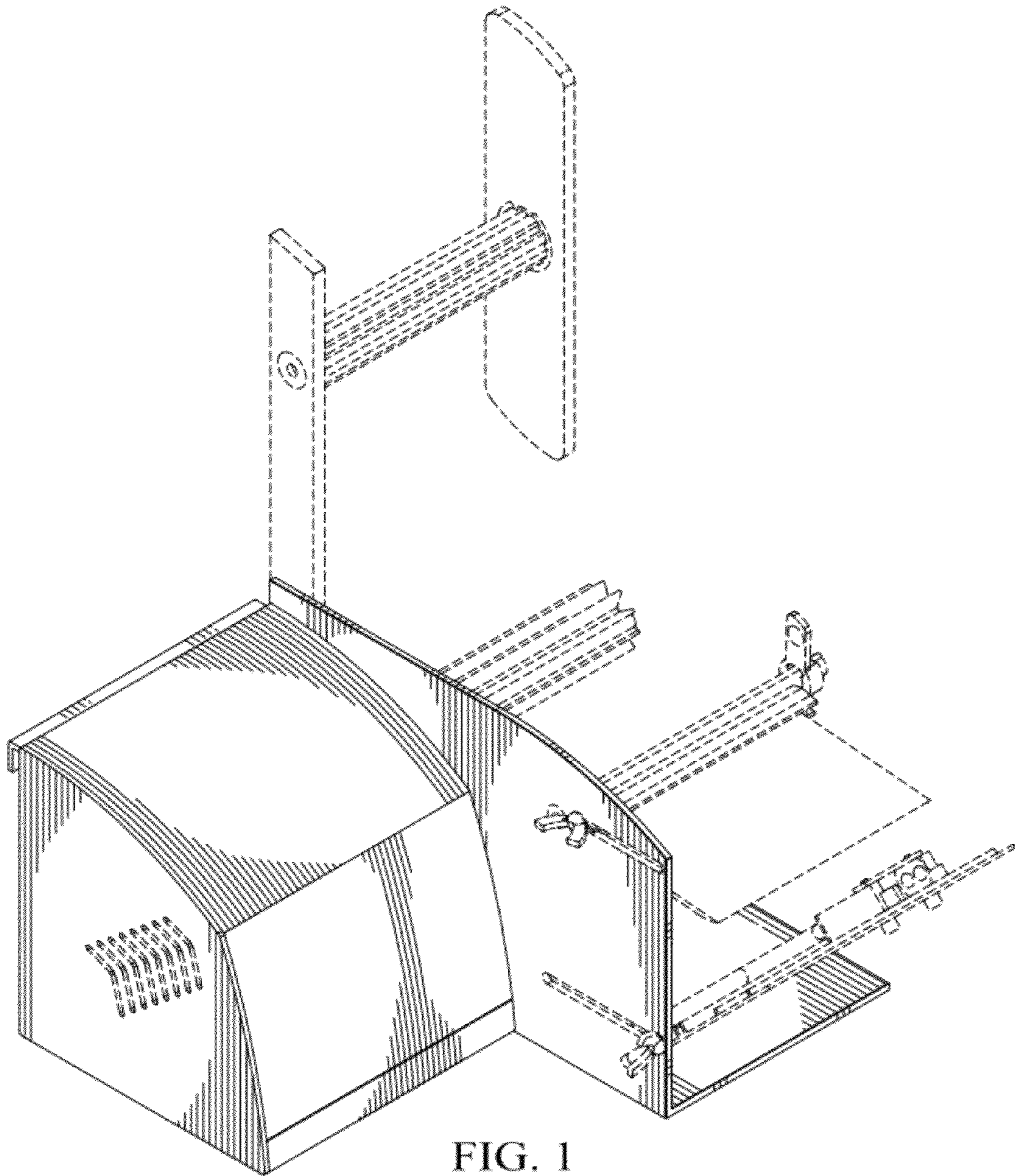


FIG. 1

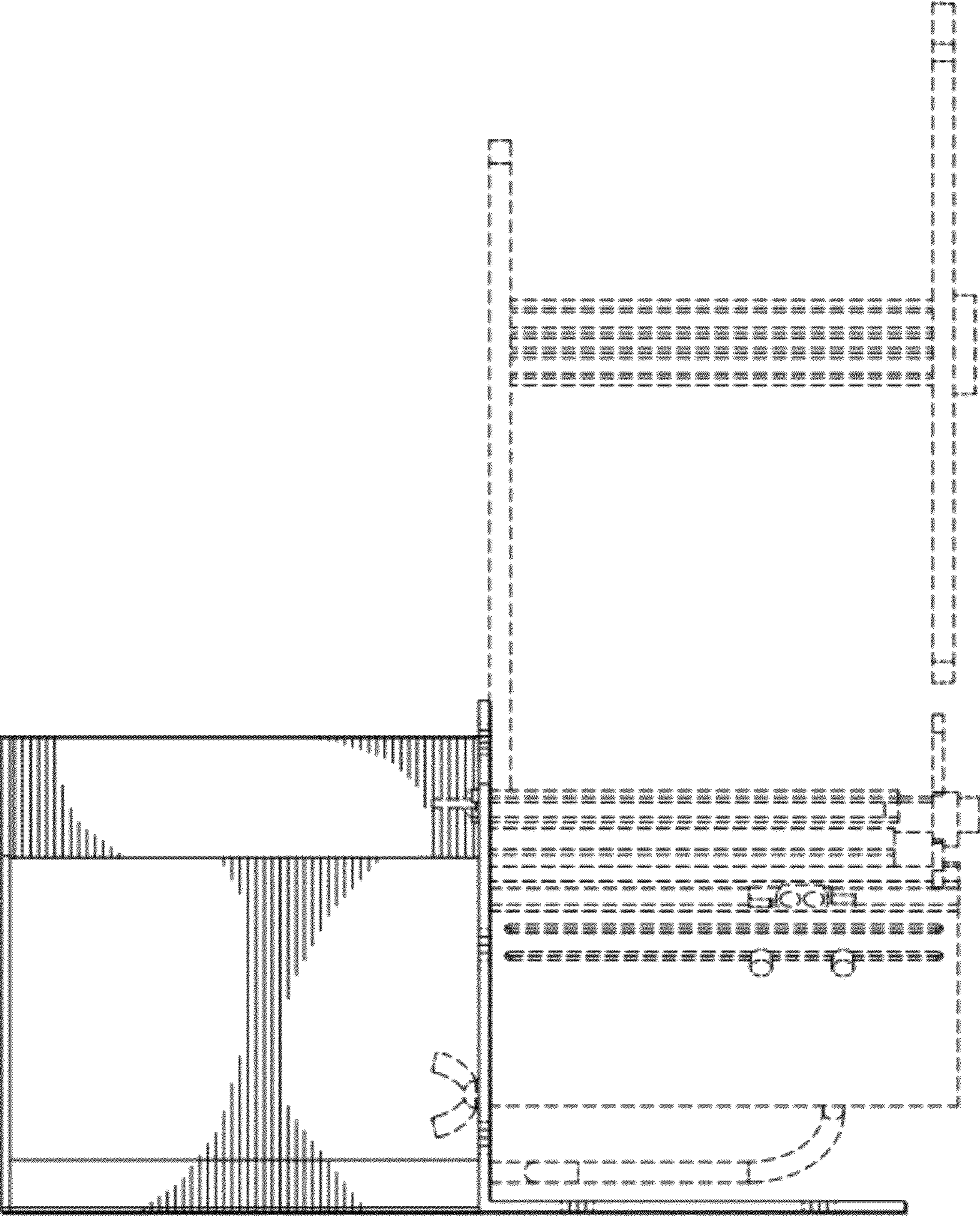


FIG. 2

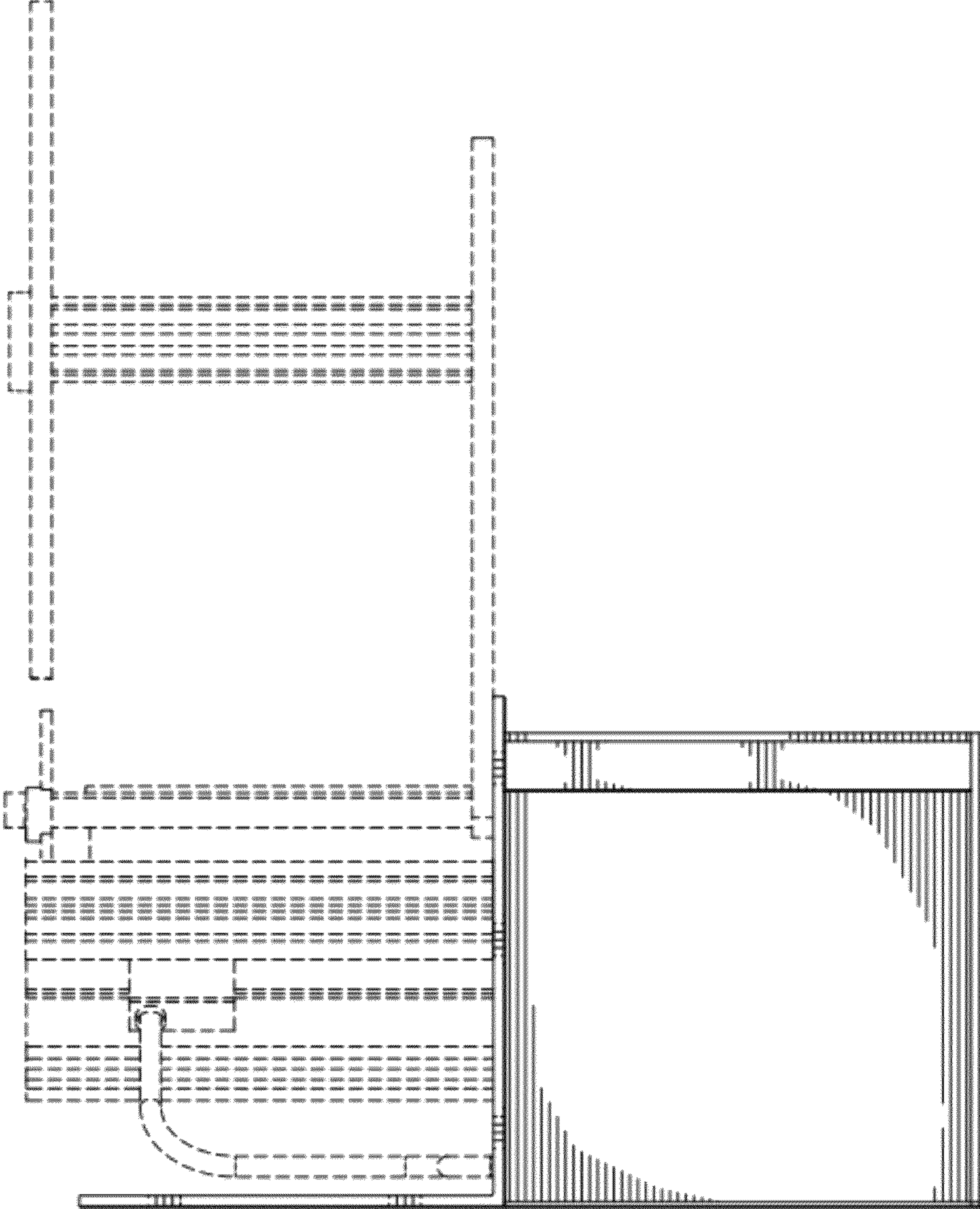


FIG. 3

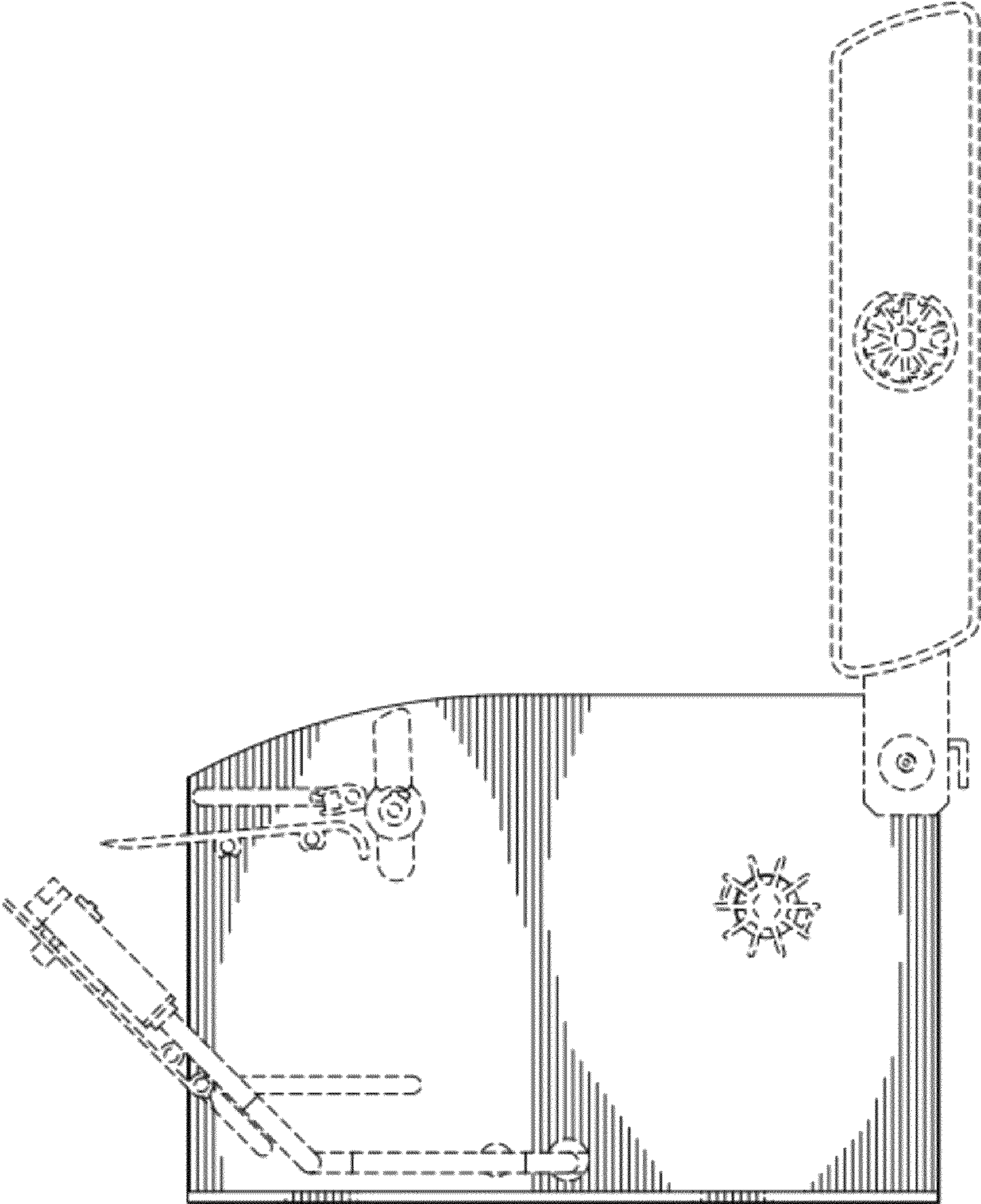


FIG. 4

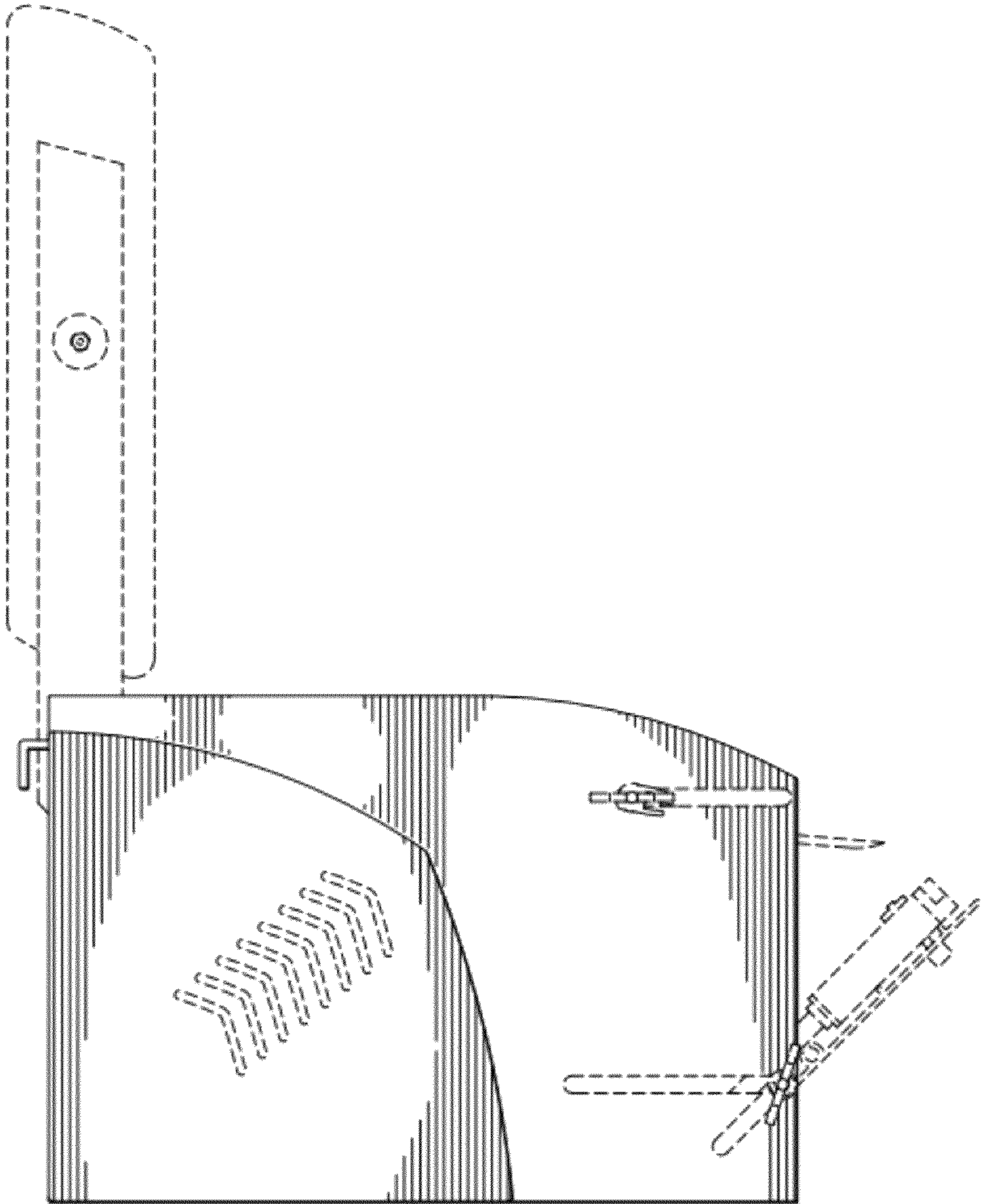


FIG. 5

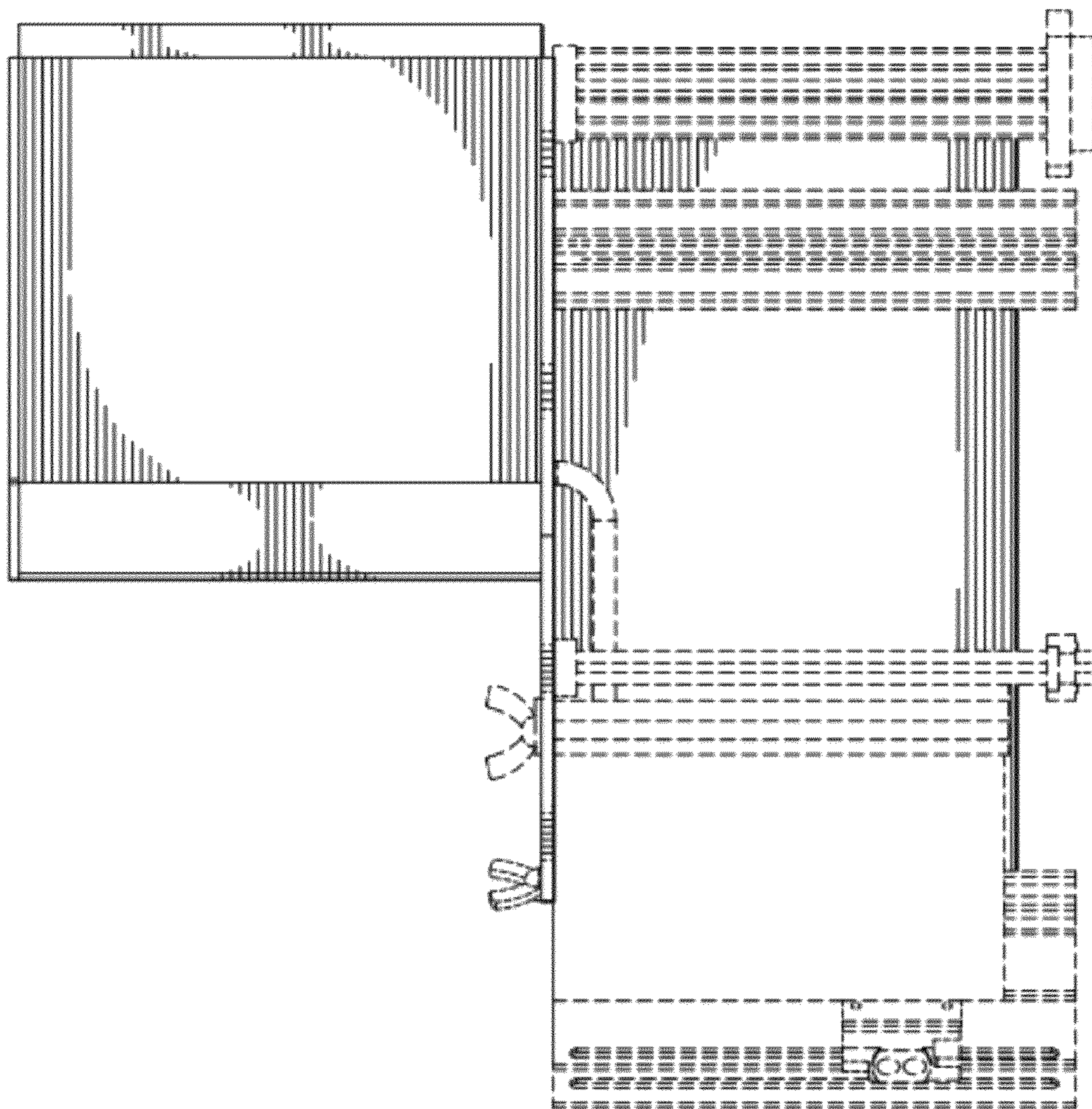


FIG. 6

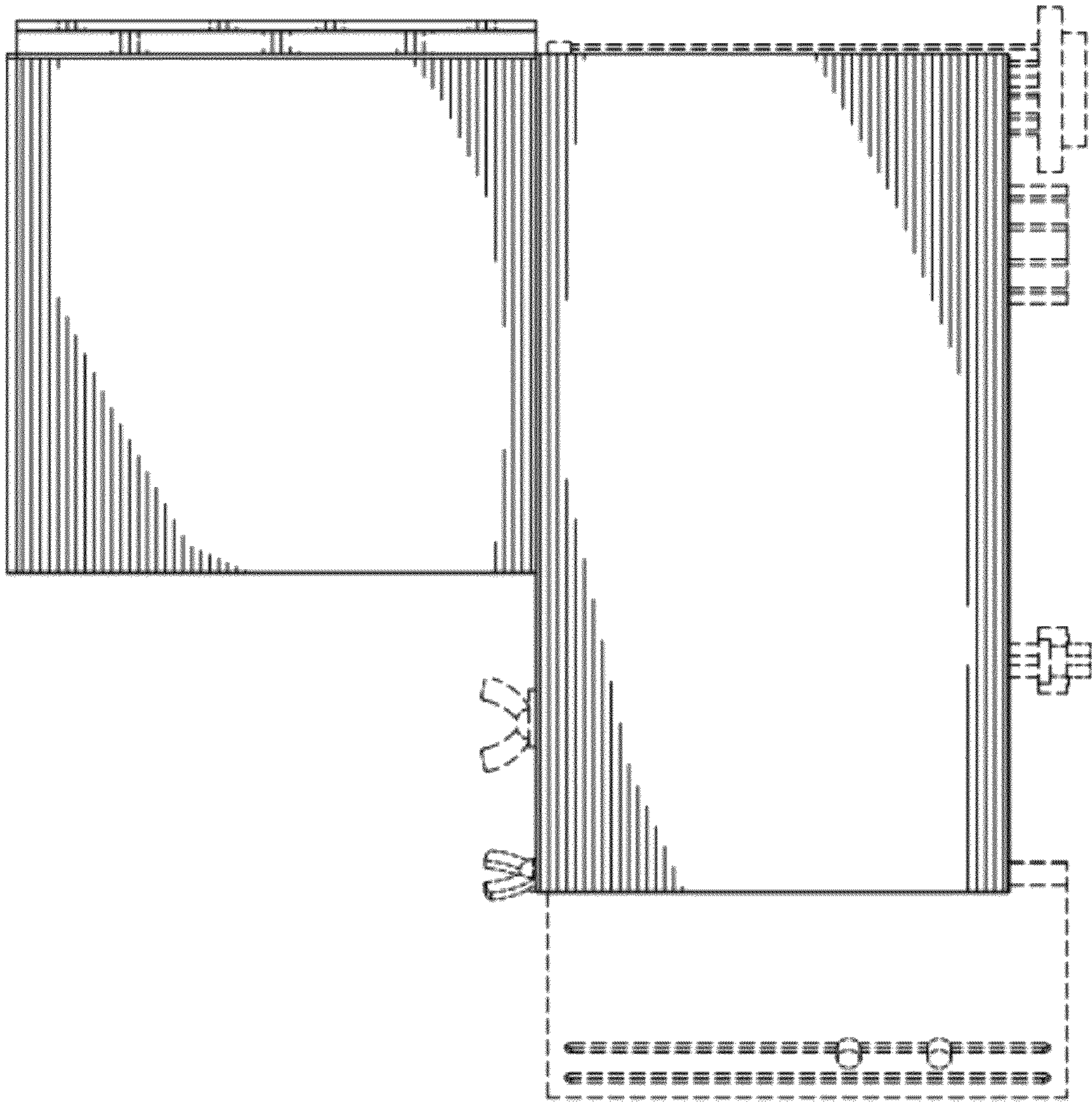


FIG. 7