



US00D662546S

(12) **United States Design Patent**  
**Sternberg**

(10) **Patent No.:** **US D662,546 S**  
(45) **Date of Patent:** **\*\* Jun. 26, 2012**

(54) **LABEL DISPENSER UNIT**

(75) Inventor: **Todd Sternberg**, Dallas, TX (US)

(73) Assignee: **Start Manufacturing, Inc.**, Addison, TX (US)

(\*\*) Term: **14 Years**

(21) Appl. No.: **29/410,361**

(22) Filed: **Jan. 6, 2012**

(51) **LOC (9) Cl.** ..... **08-02**

(52) **U.S. Cl.** ..... **D19/69**

(58) **Field of Classification Search** ..... D19/36,  
D19/70, 69, 68, 67; D13/133, 146; 242/588.6,  
242/588.3, 588.2; 225/77, 6, 56, 69, 26,  
225/25, 19, 11; 206/411; 156/577, 527,  
156/523; 221/73

See application file for complete search history.

(56) **References Cited**

U.S. PATENT DOCUMENTS

2,754,994	A *	7/1956	Cole	.....	221/73
D252,756	S *	8/1979	Rogers	.....	D19/67
5,060,821	A *	10/1991	Berger et al.	.....	221/190
5,065,896	A *	11/1991	Jurgich	.....	221/73
D325,394	S *	4/1992	Ishii, Mitsuo	.....	D19/68
5,261,563	A *	11/1993	Brimhall	.....	221/73
5,570,809	A *	11/1996	Martin	.....	221/73
5,674,350	A *	10/1997	Jurgich	.....	156/540
D399,257	S *	10/1998	Tang et al.	.....	D19/69

D498,262	S *	11/2004	Bhavnani	.....	D19/69
D500,087	S *	12/2004	Siegel	.....	D19/69
7,871,009	B1 *	1/2011	Blonigen et al.	.....	235/487
8,028,734	B2 *	10/2011	Wermuth, Eli	.....	156/361

\* cited by examiner

*Primary Examiner* — Austin Murphy

(74) *Attorney, Agent, or Firm* — Gardere Wynne Sewell LLP

(57) **CLAIM**

The ornamental design for a label dispenser unit, as shown and described.

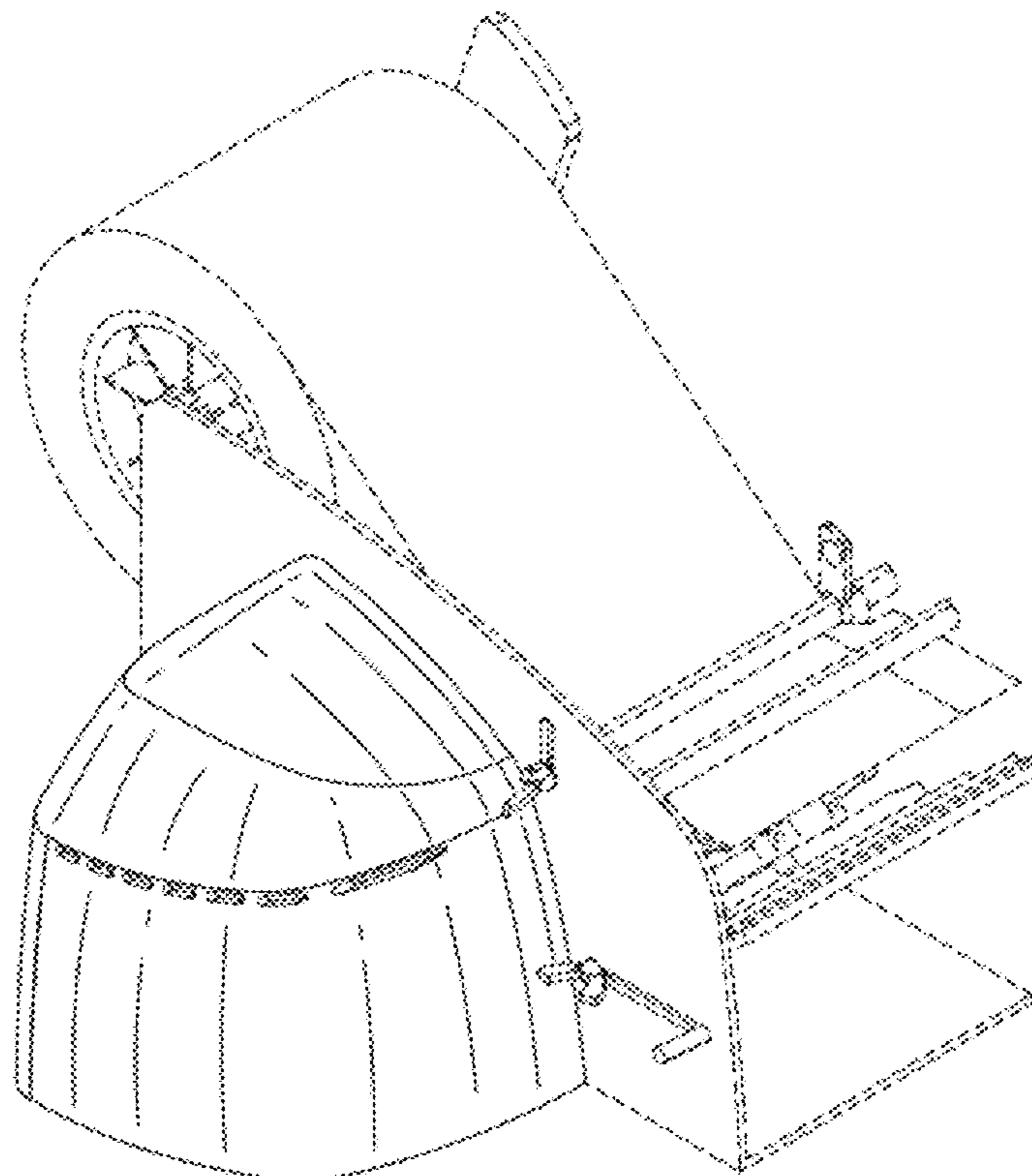
**DESCRIPTION**

FIG. 1 is a first perspective view of a label dispenser unit; FIG. 2 is a front view of the label dispenser unit shown in FIG. 1; FIG. 3 is a back side view of the label dispenser unit shown in FIG. 1; FIG. 4 is a right side view of the label dispenser unit shown in FIG. 1; FIG. 5 is a left side view of the label dispenser unit shown in FIG. 1; FIG. 6 is top view of the label dispenser unit shown in FIG. 1; and,

FIG. 7 is a bottom view of the label dispenser unit shown in FIG. 1.

The broken lines shown in the drawings represent portions of the label dispenser unit that form no part of the claimed design.

**1 Claim, 7 Drawing Sheets**



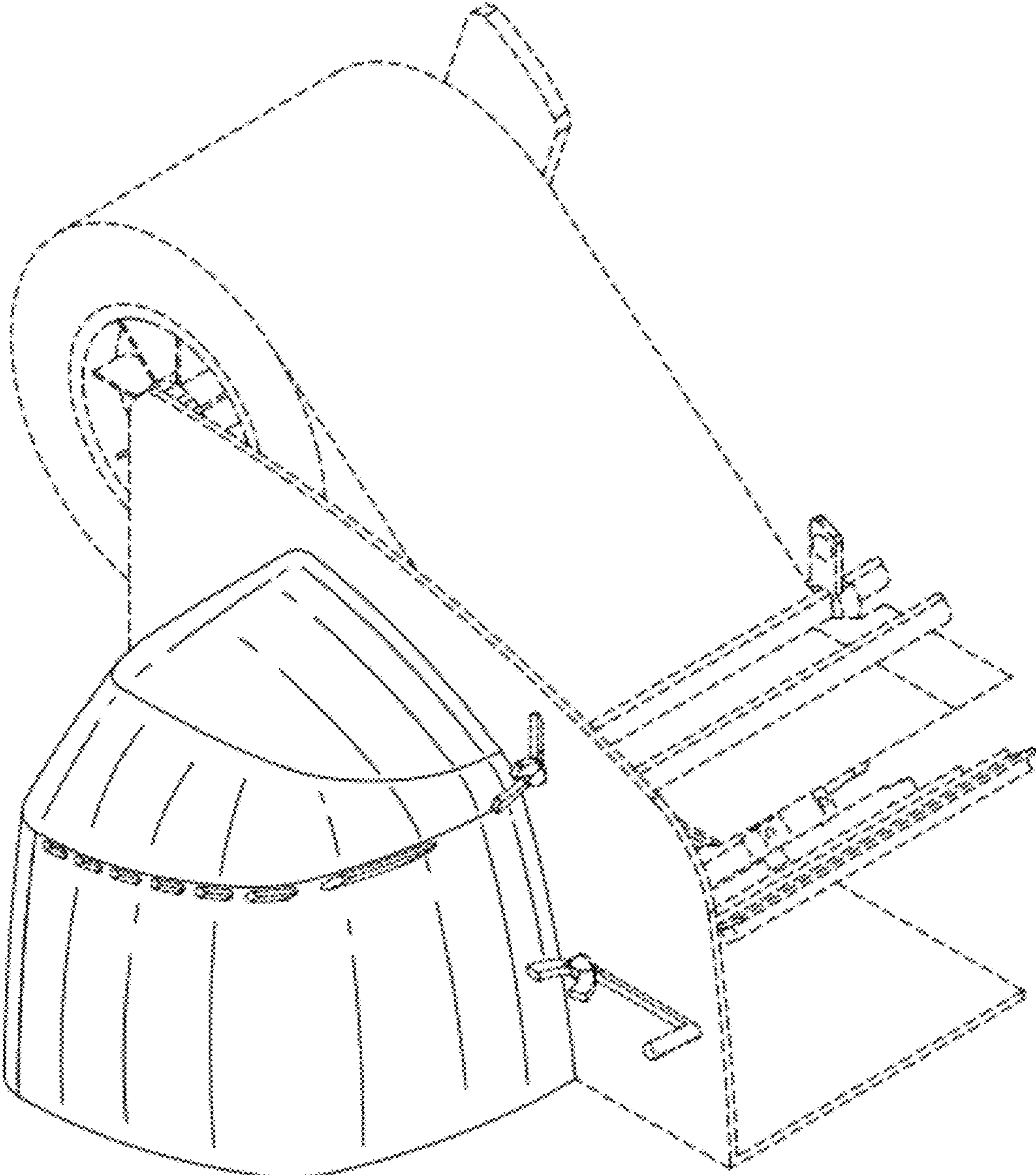


FIG. 1

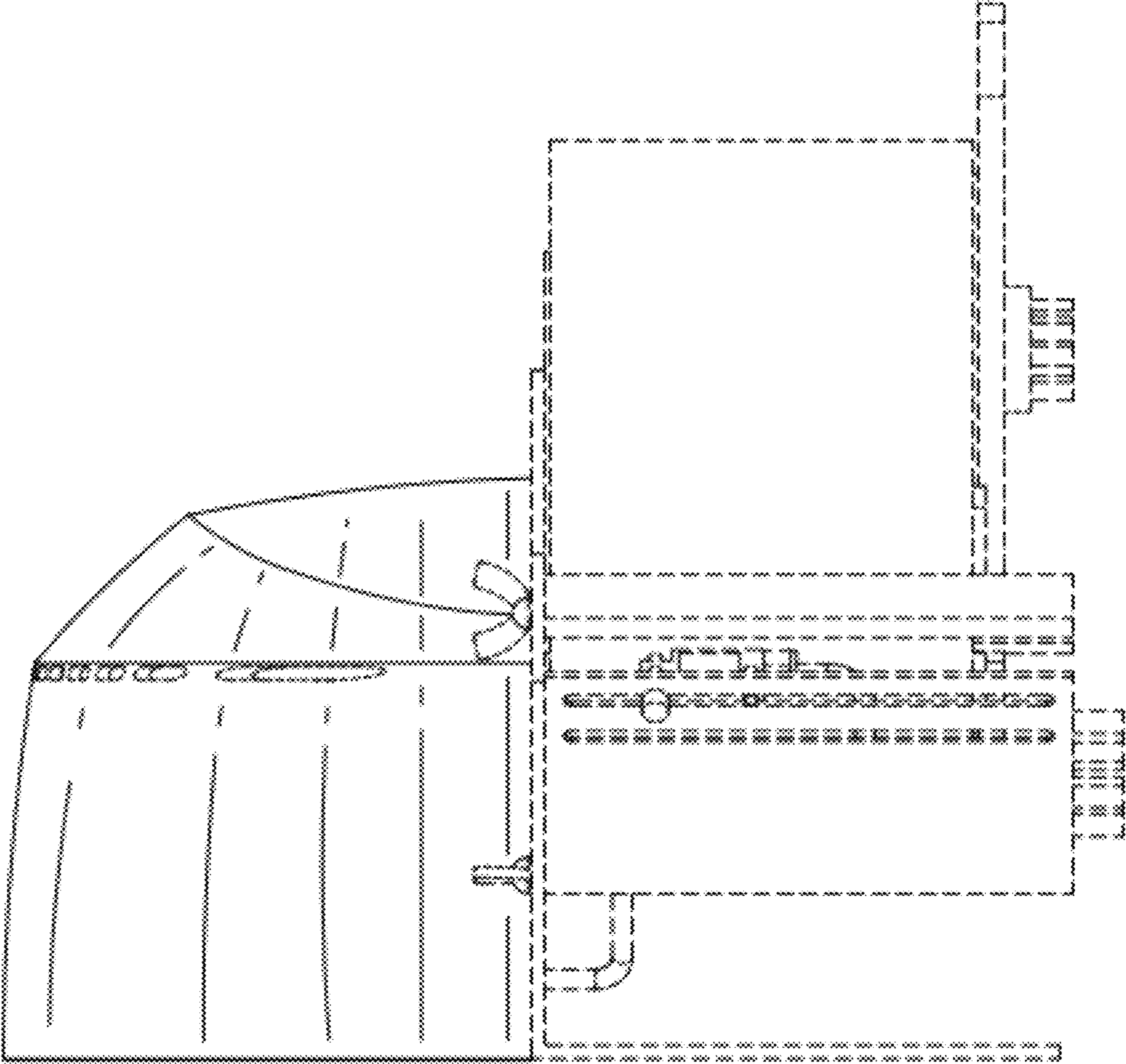


FIG. 2

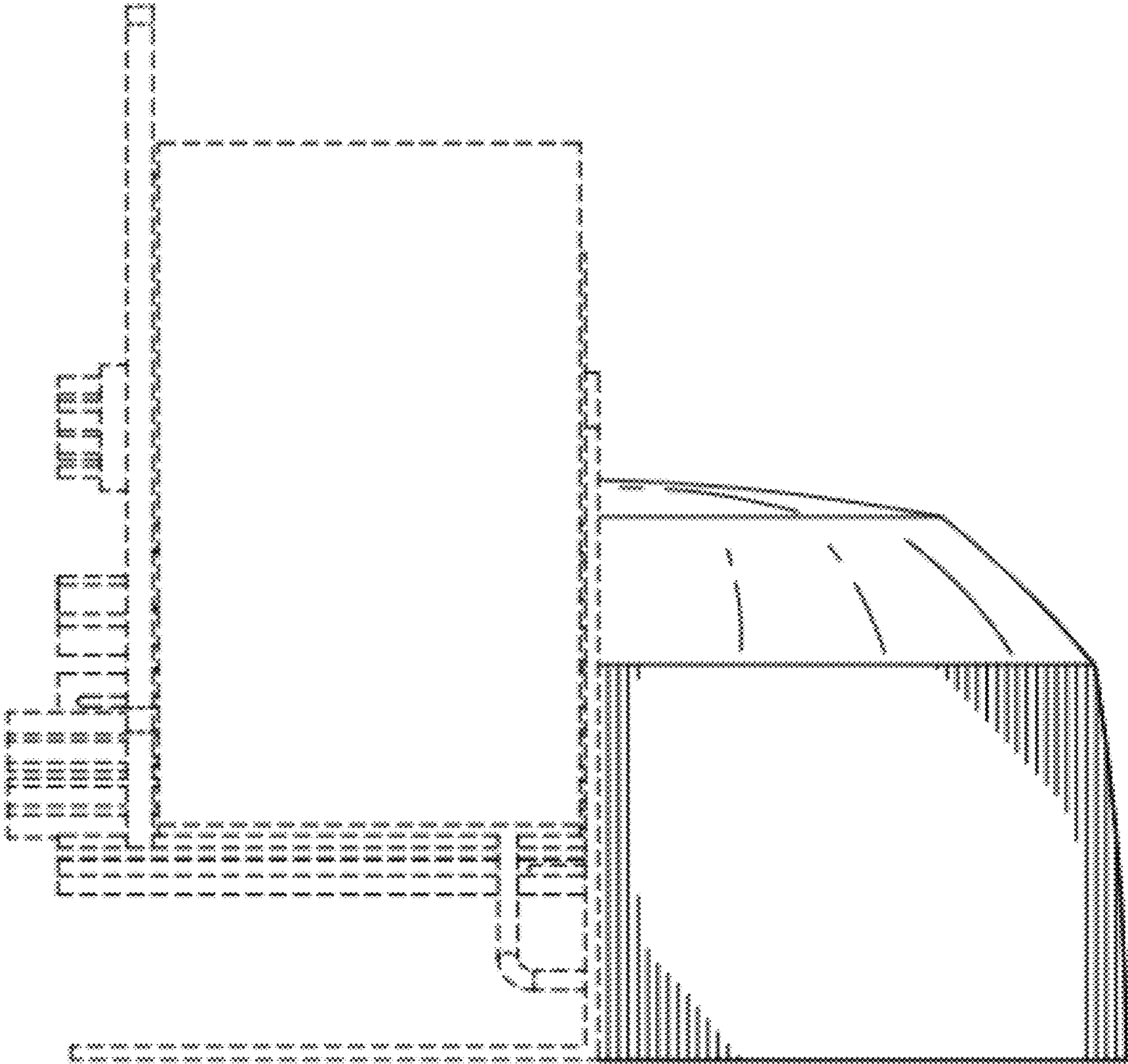


FIG. 3

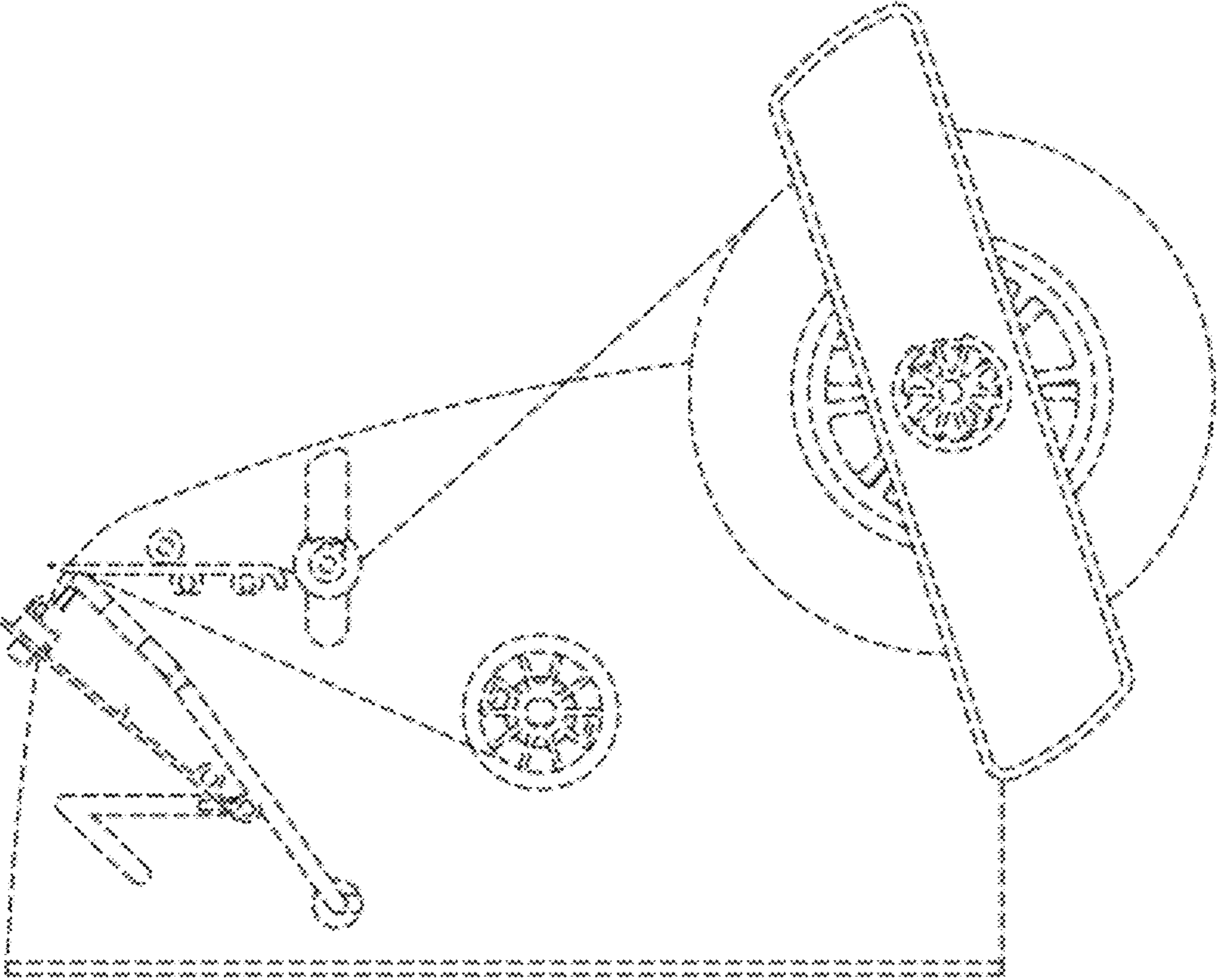


FIG. 4

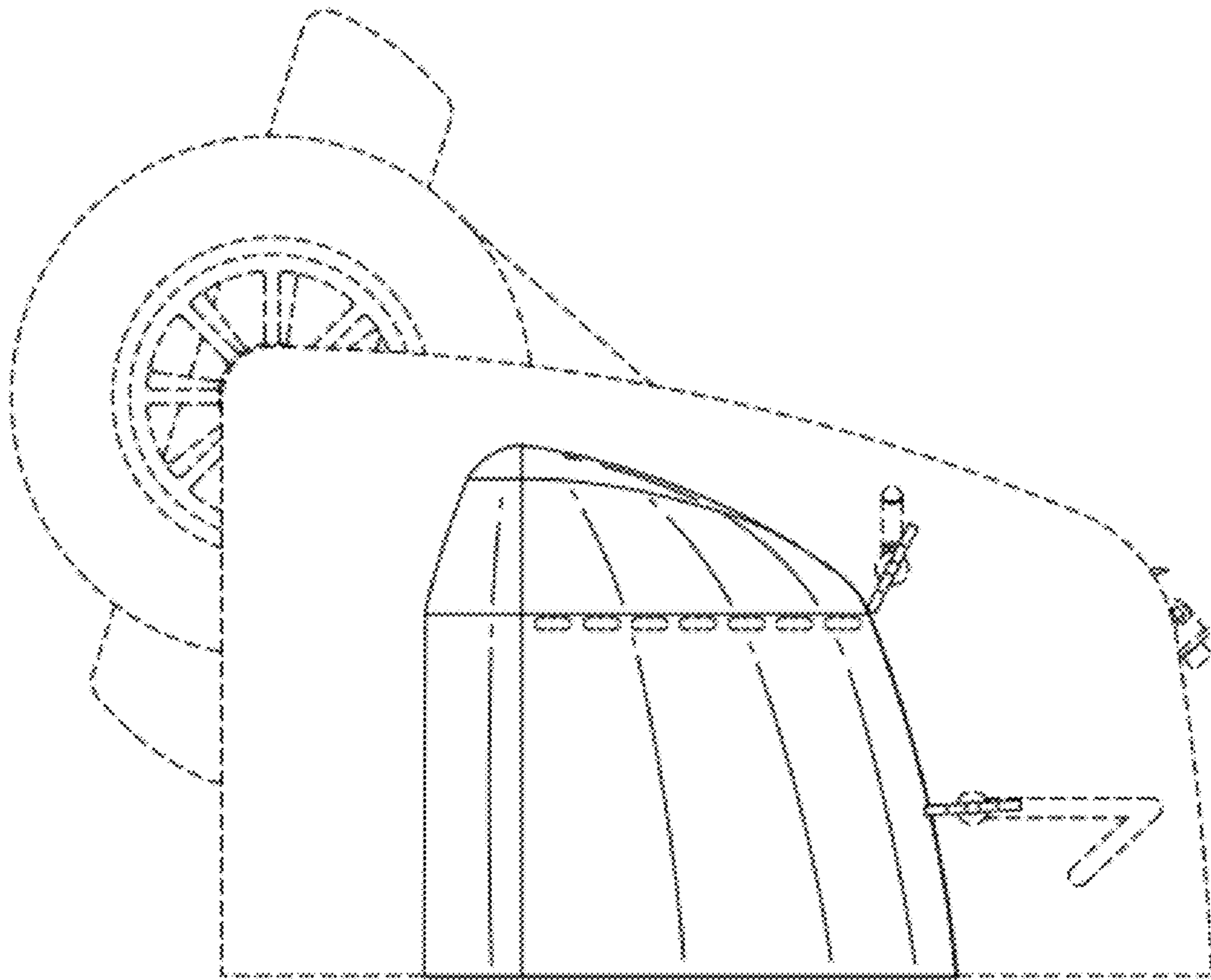


FIG. 5

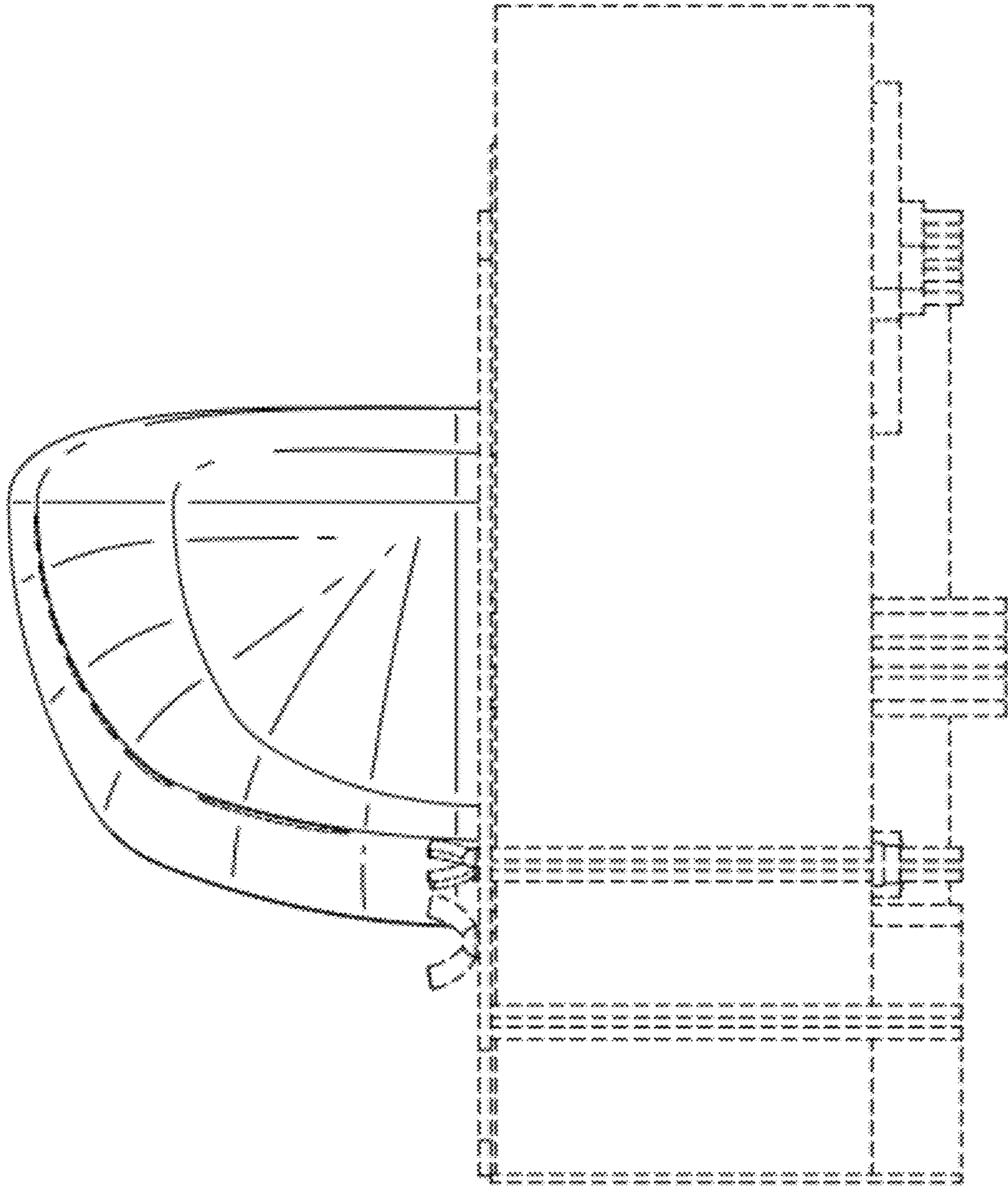


FIG. 6

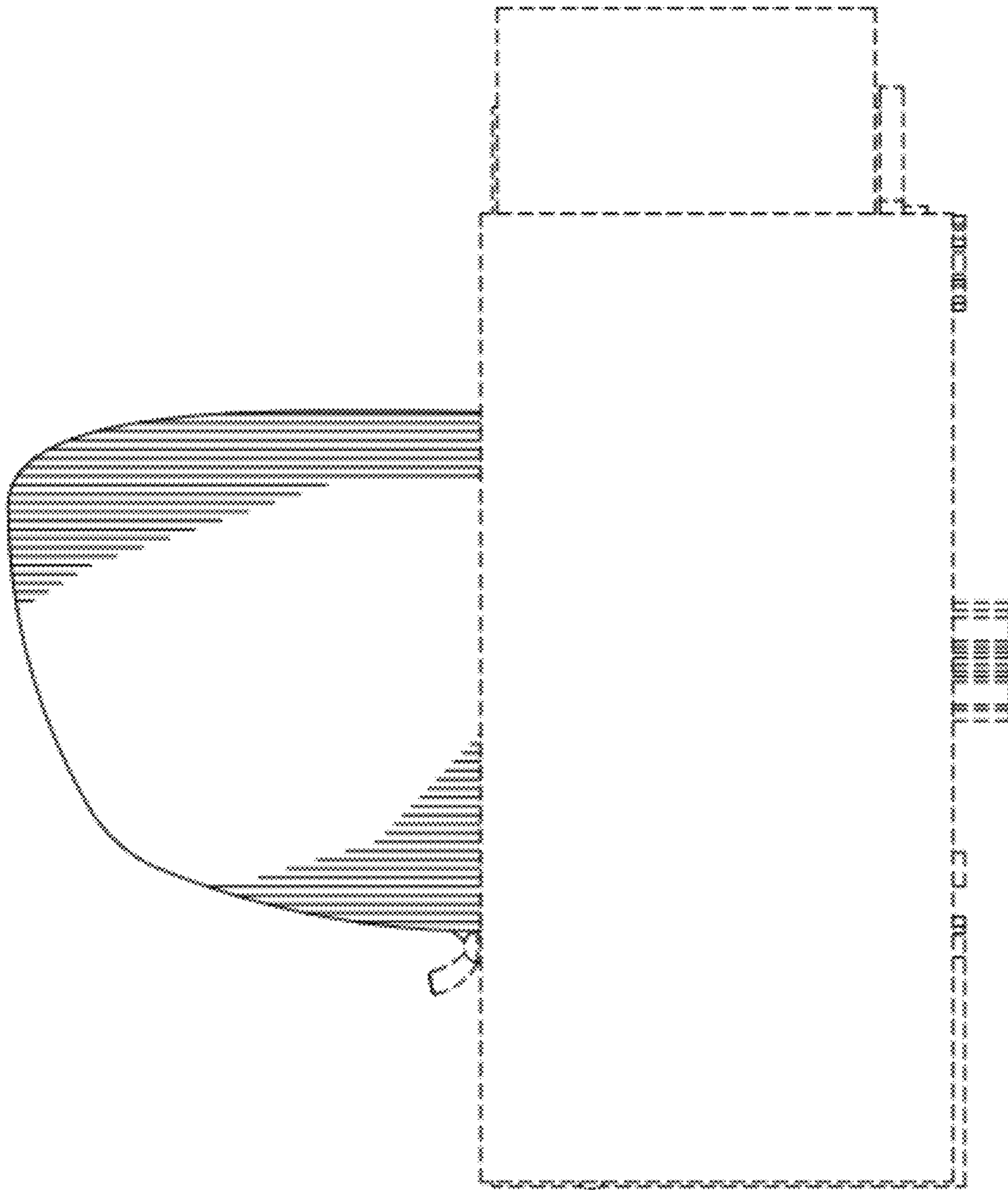


FIG. 7