

US00D662542S

(12) **United States Design Patent**
Nagashima

(10) **Patent No.:** **US D662,542 S**

(45) **Date of Patent:** **** Jun. 26, 2012**

(54) **TONER CARTRIDGE**

(75) **Inventor:** **Teruhiko Nagashima, Osaka (JP)**

(73) **Assignee:** **Kyocera Mita Corporation, Osaka (JP)**

(**) **Term:** **14 Years**

(21) **Appl. No.:** **29/403,998**

(22) **Filed:** **Oct. 13, 2011**

(30) **Foreign Application Priority Data**

Apr. 15, 2011 (JP) 2011-008692

(51) **LOC (9) Cl.** **16-03**

(52) **U.S. Cl.** **D18/43**

(58) **Field of Classification Search** D14/471;
D18/12, 36, 40, 43, 44, 56; 222/DIG. 1;
347/197, 222; 399/24-28, 107-112, 119,
399/121, 122, 222-224

See application file for complete search history.

(56) **References Cited**

U.S. PATENT DOCUMENTS

D320,042 S *	9/1991	Corby et al.	D18/43
D444,810 S *	7/2001	Itoh	D18/43
D463,818 S *	10/2002	Fujinuma et al.	D18/43
D604,358 S *	11/2009	Kinoshita et al.	D18/43

* cited by examiner

Primary Examiner — Garth Rademaker

(74) *Attorney, Agent, or Firm* — Young & Thompson

(57) **CLAIM**

The ornamental design for a toner cartridge, as shown and described.

DESCRIPTION

FIG. 1 is a front, top, left side perspective view of a toner cartridge showing my new design;
FIG. 2 is a rear, top, right side perspective view thereof;
FIG. 3 is a front view thereof;
FIG. 4 is a rear view thereof;
FIG. 5 is a left side view thereof;
FIG. 6 is a right side view thereof;
FIG. 7 is a top view thereof; and,
FIG. 8 is a bottom view thereof.
The broken lines depict portions of the toner cartridge which no part of the claimed design.

1 Claim, 7 Drawing Sheets

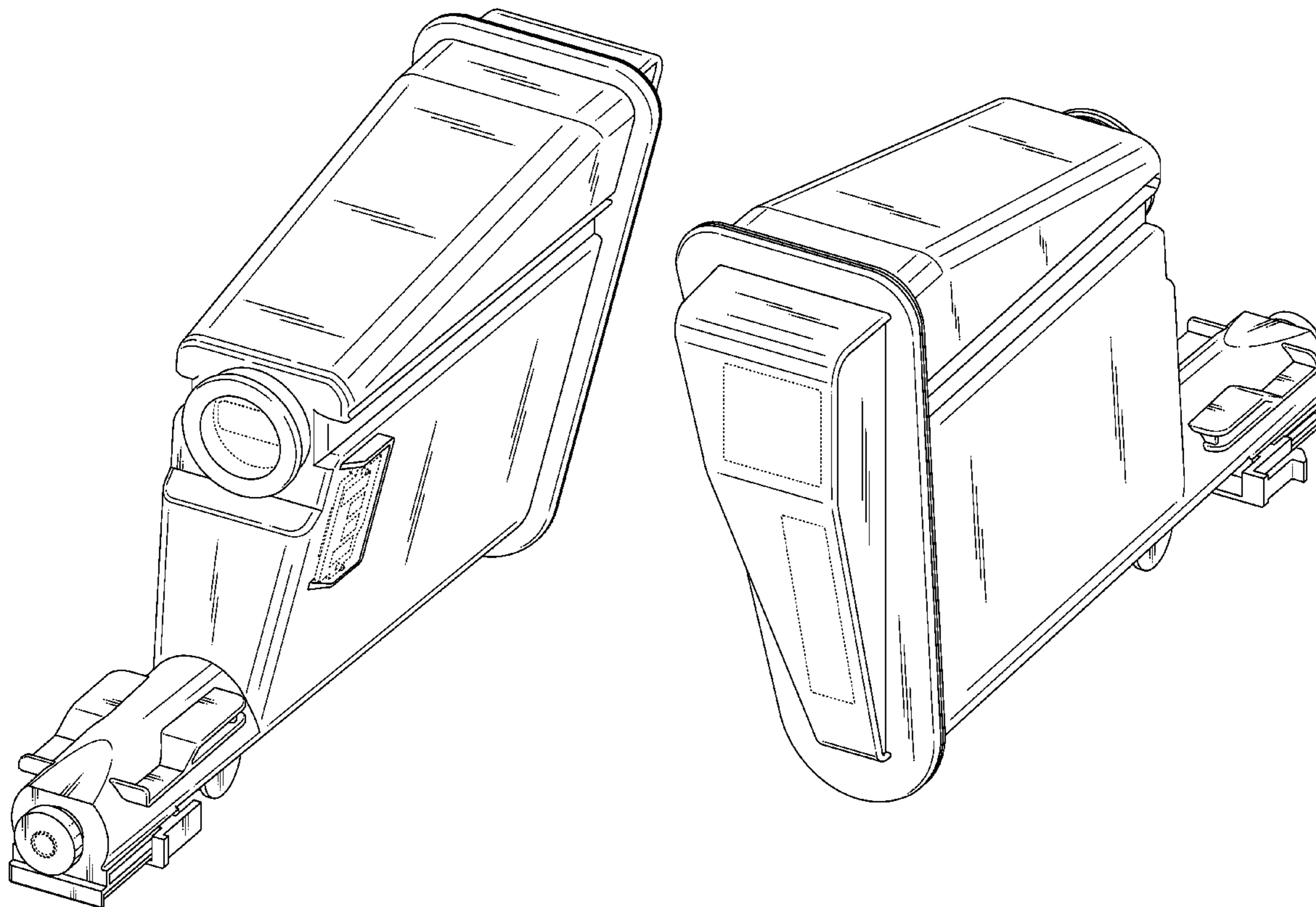


Fig. 1

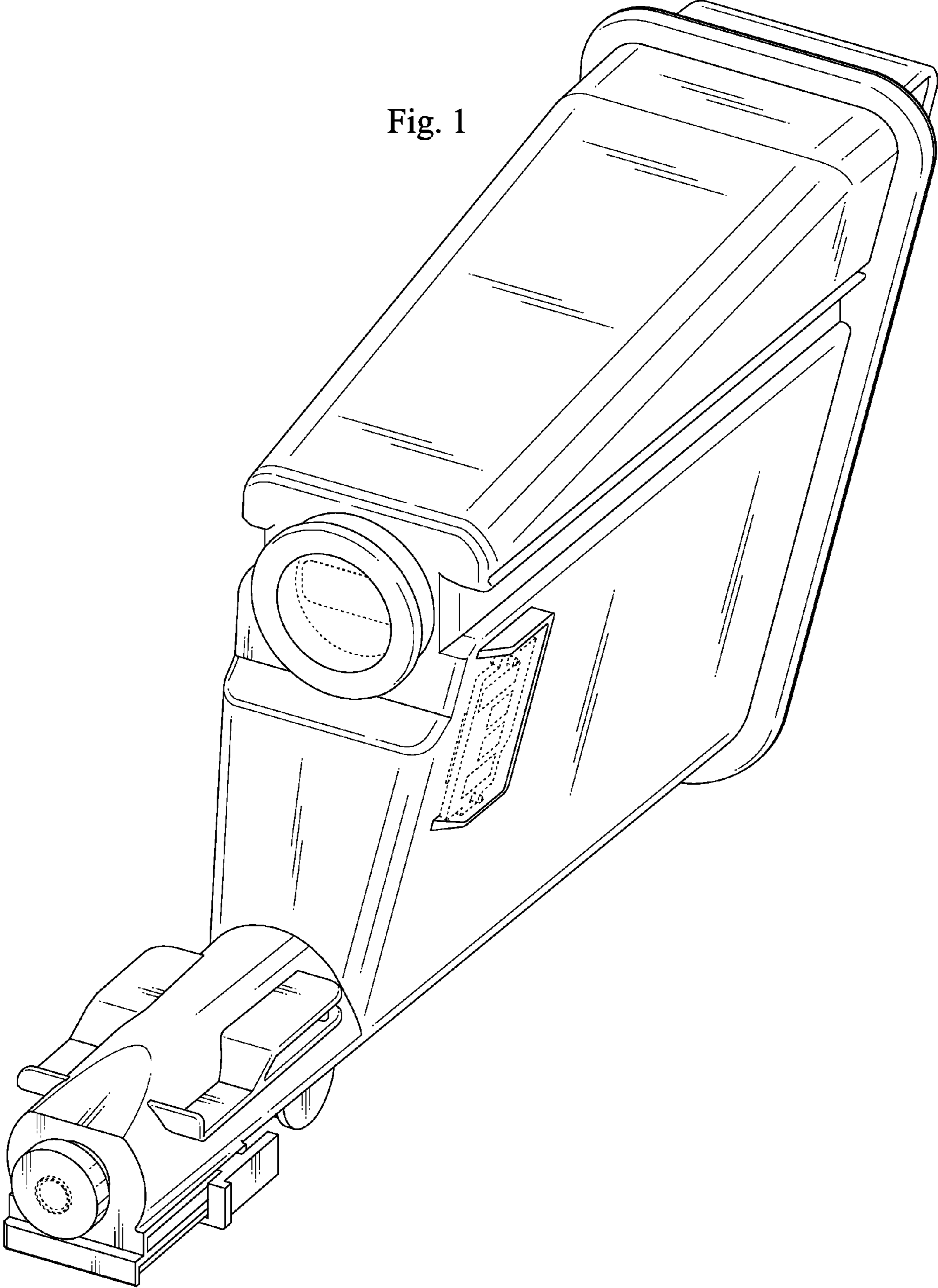
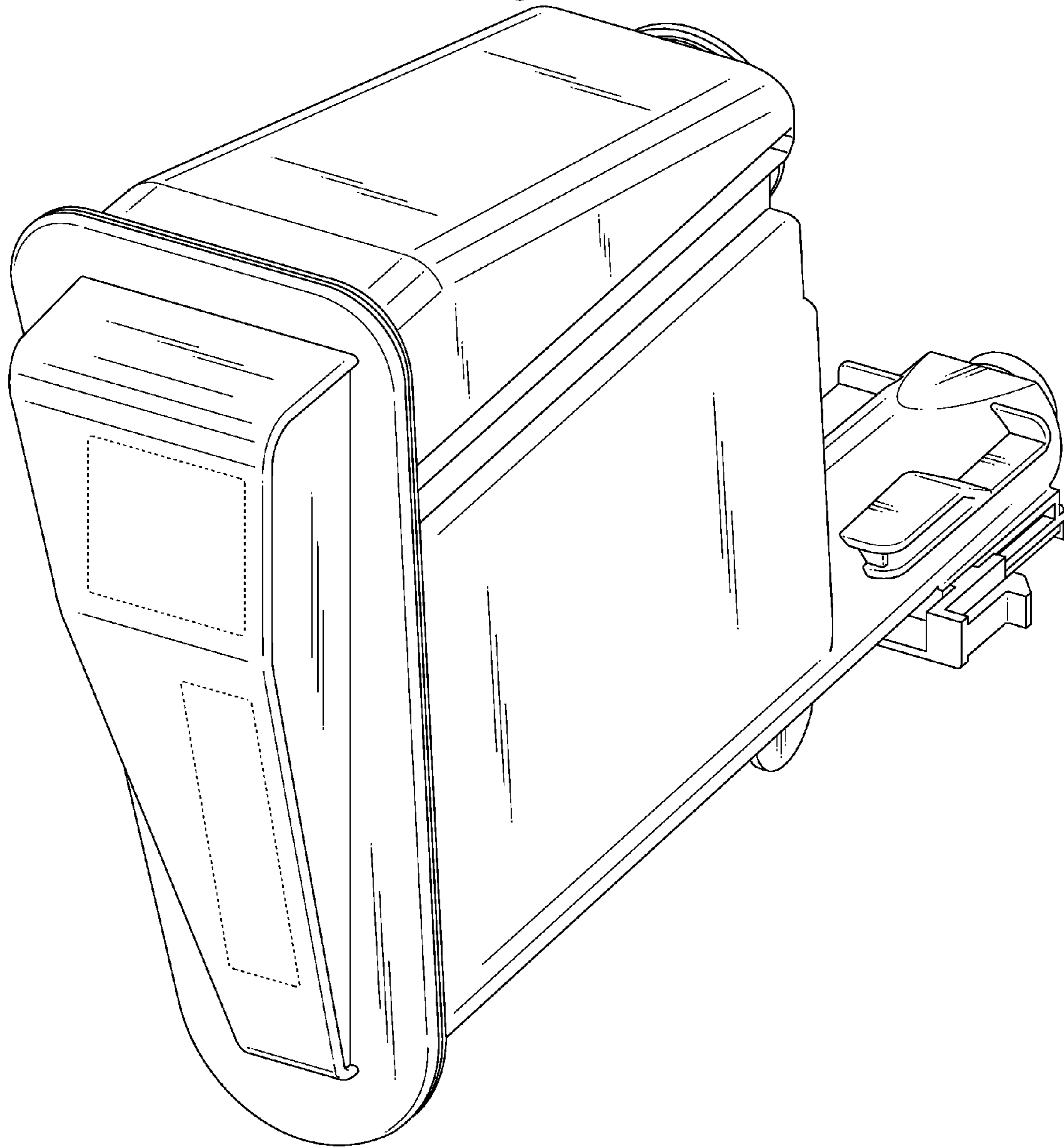


Fig. 2



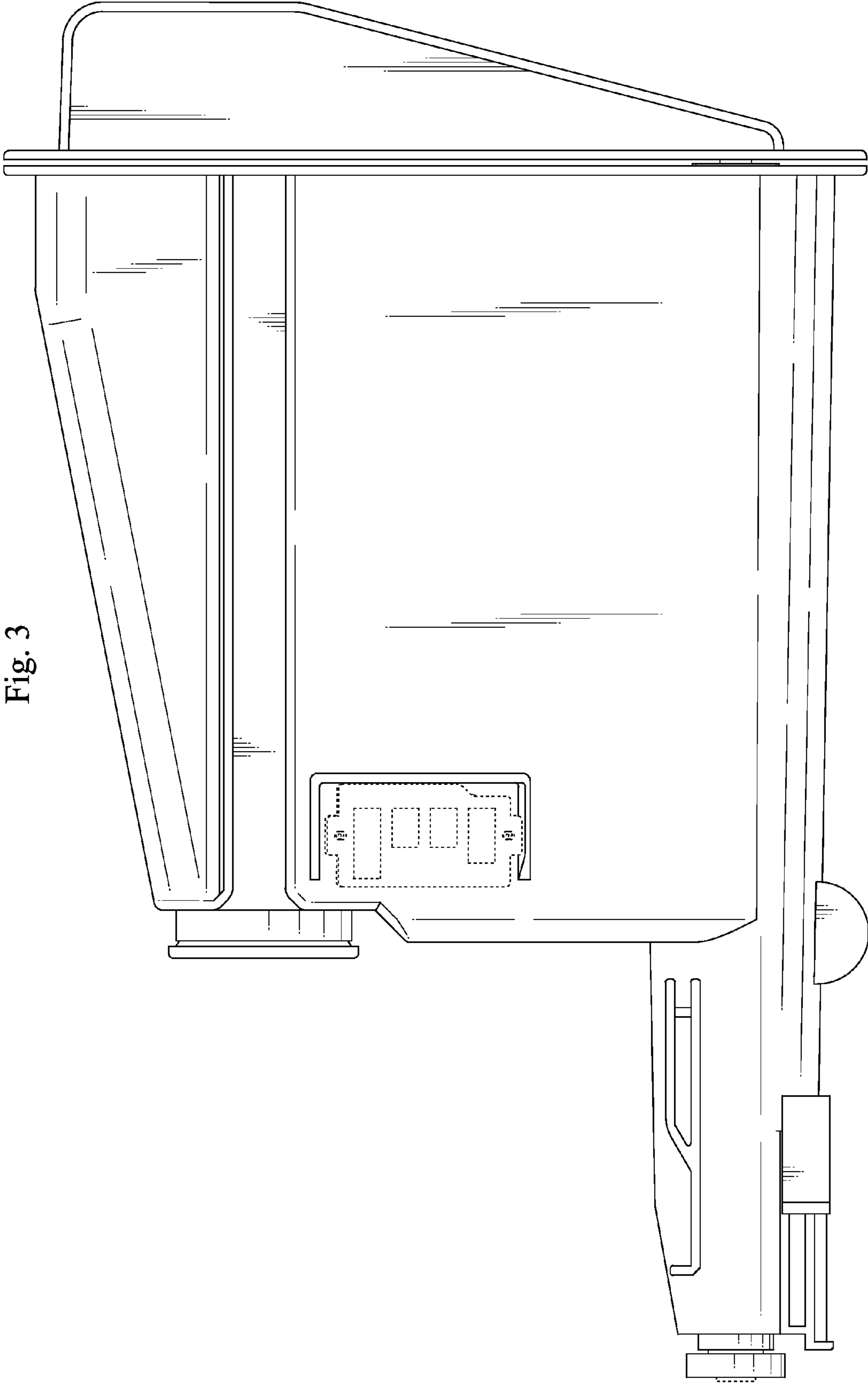


Fig. 3

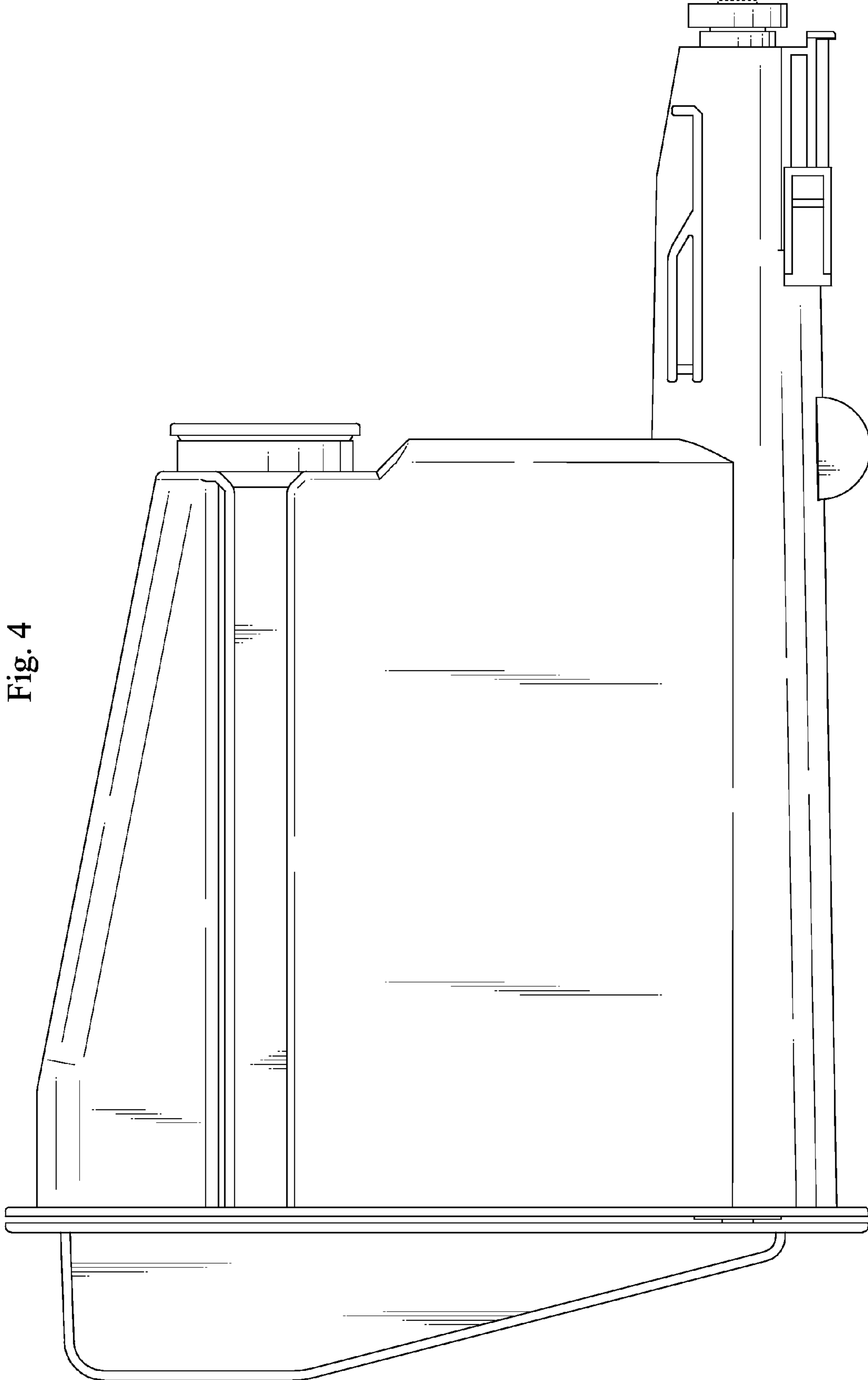


Fig. 4

Fig. 6

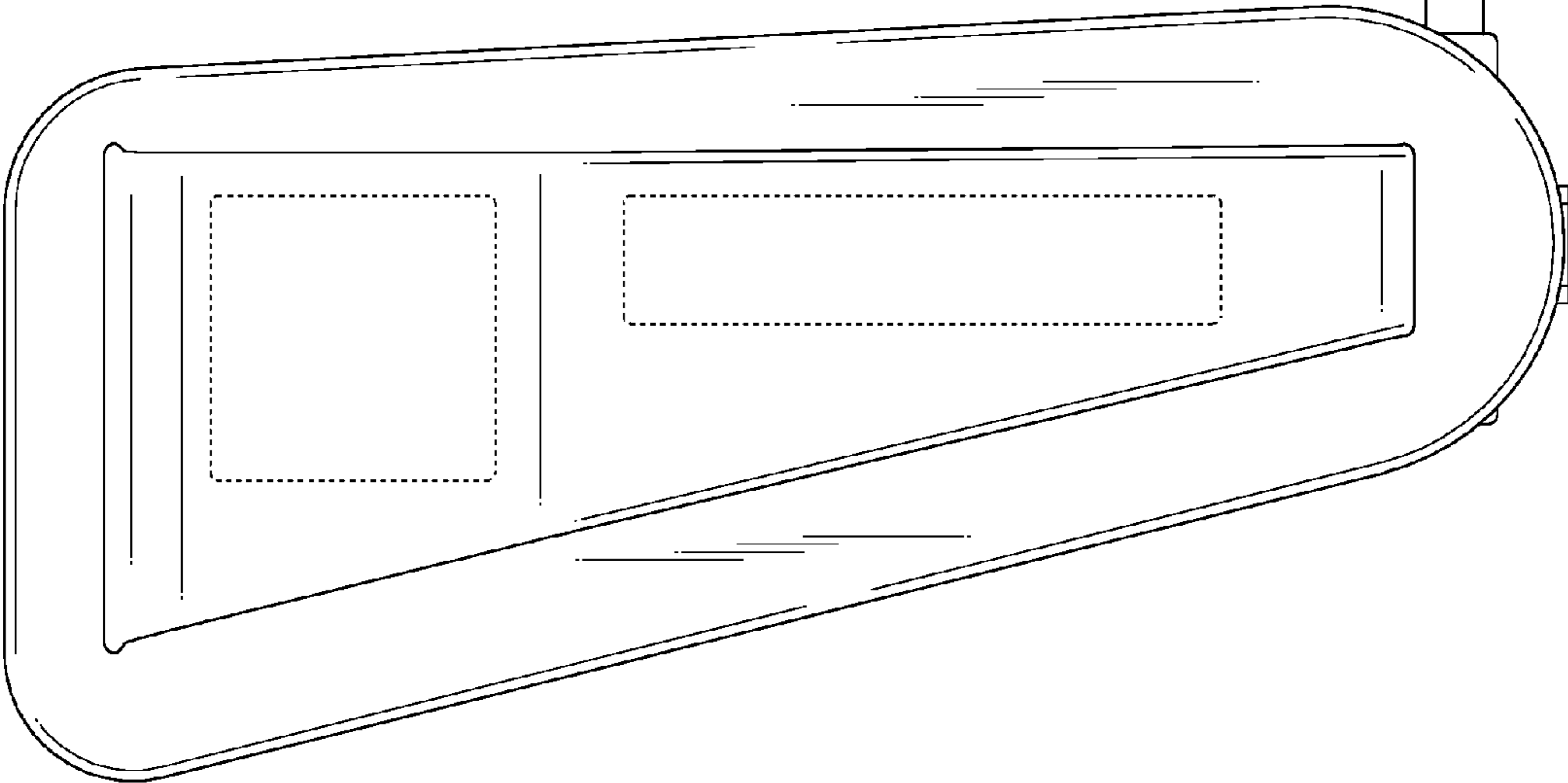


Fig. 5

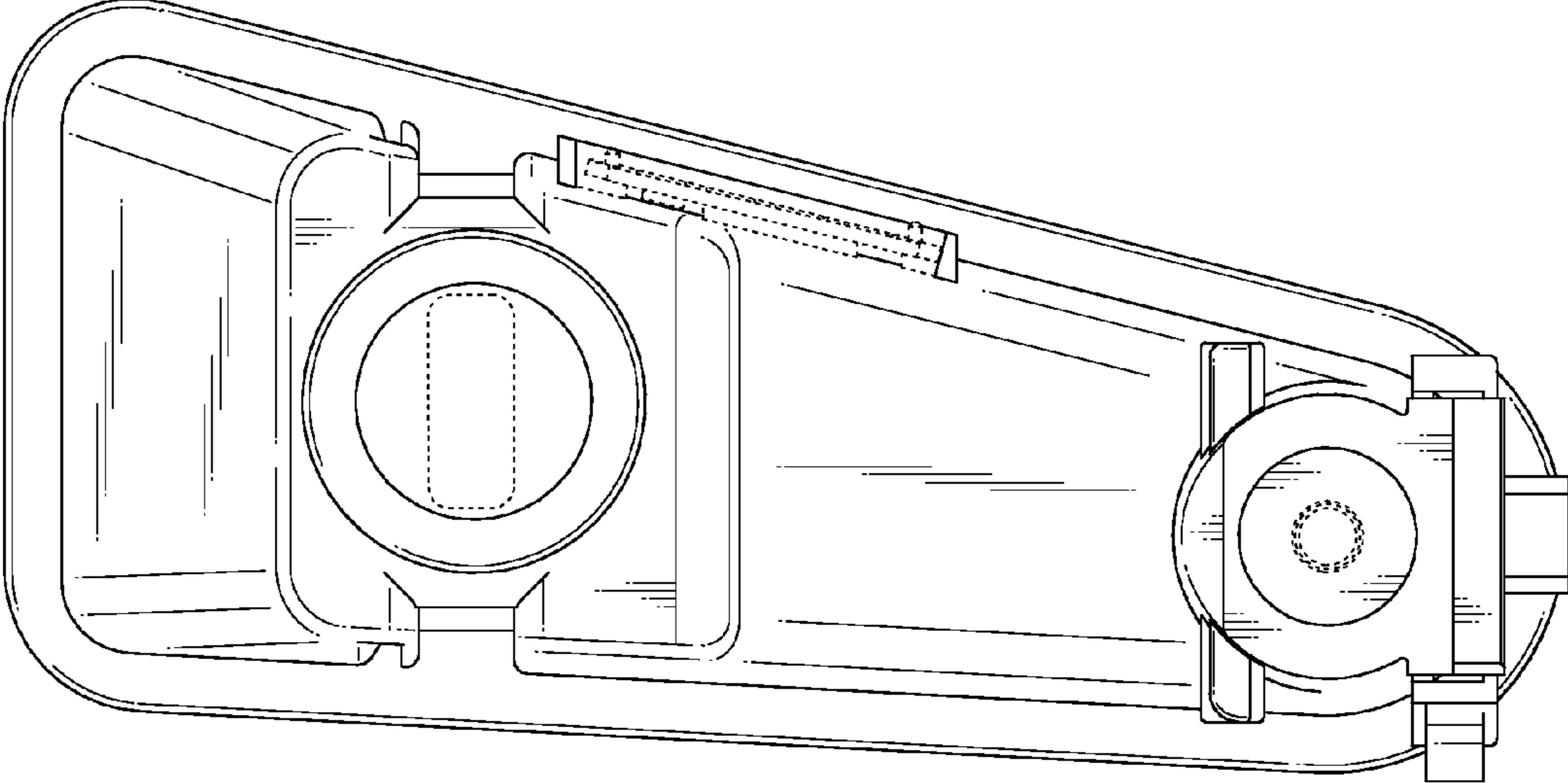
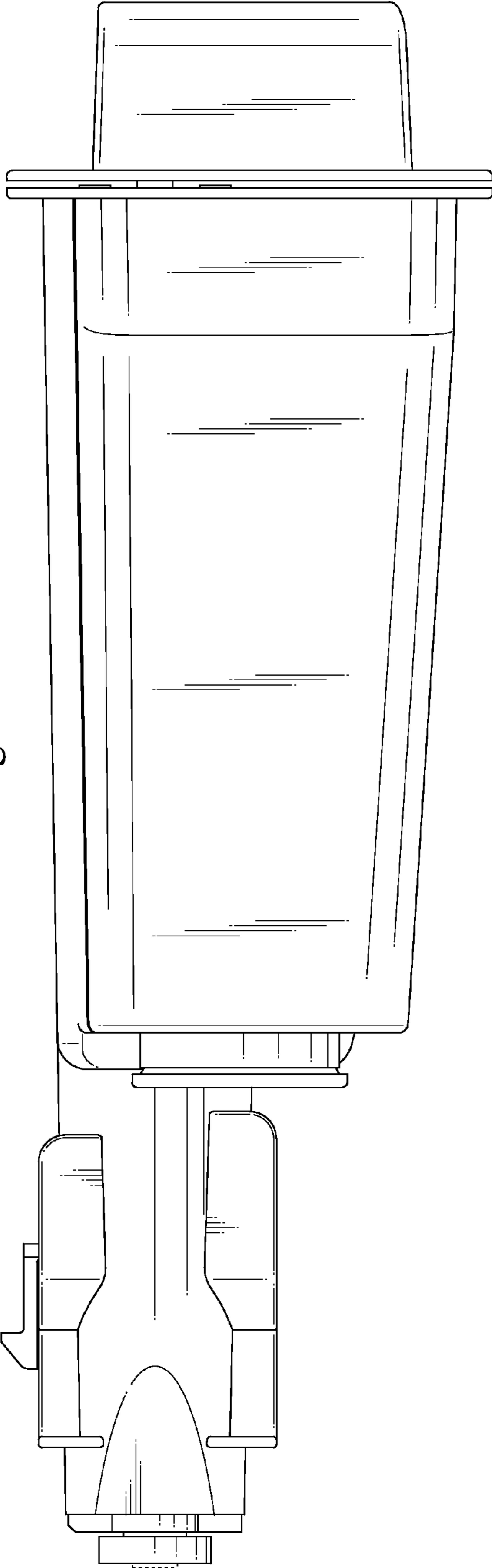


Fig. 7



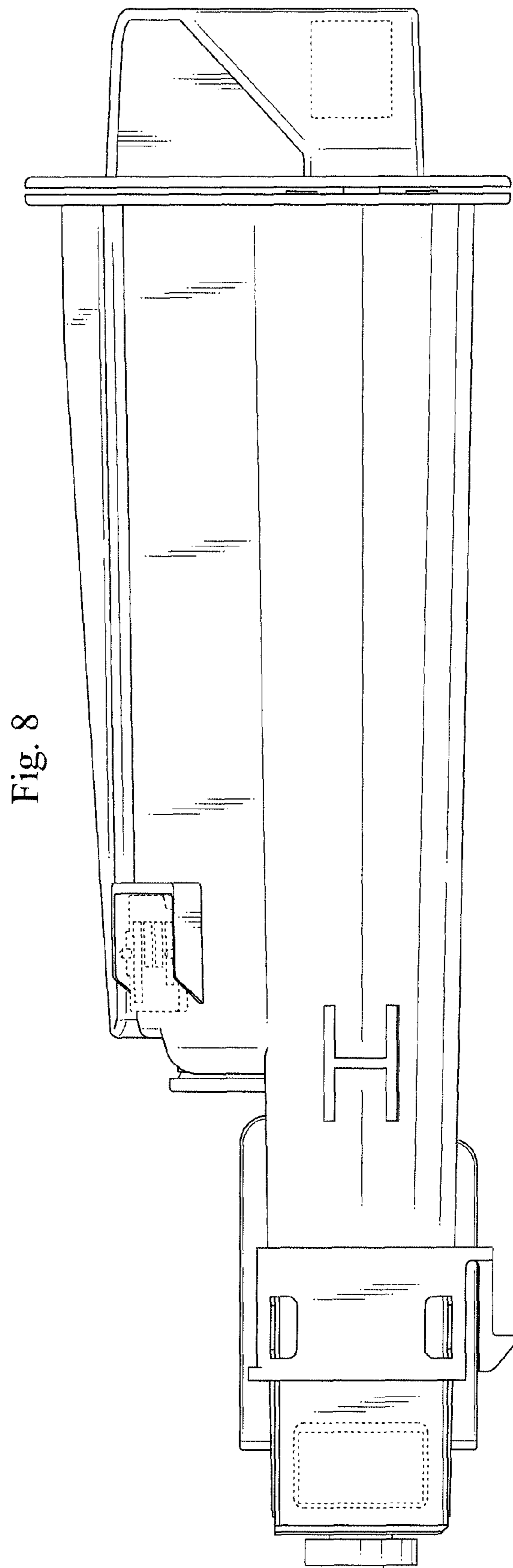


Fig. 8