



US00D662541S

(12) **United States Design Patent**
Hamanaga et al.

(10) **Patent No.:** **US D662,541 S**
(45) **Date of Patent:** **** Jun. 26, 2012**

(54) **SILENCER**

(75) Inventors: **Shinji Hamanaga**, Shizuoka (JP); **Kota Hamanaga**, Shizuoka (JP)

(73) Assignee: **Best Brass Corporation**, Iwata-shi (JP)

(**) Term: **14 Years**

(21) Appl. No.: **29/373,380**

(22) Filed: **Apr. 1, 2011**

(30) **Foreign Application Priority Data**

Dec. 28, 2010 (JP) 2010-31238

(51) **LOC (9) Cl.** **17-03**

(52) **U.S. Cl.** **D17/20**

(58) **Field of Classification Search** D17/14,
D17/15, 18, 19, 20, 99; D14/188, 222, 265;
84/267, 268, 269, 290, 273, 310, 311, 453,
84/189, 294, 297 R, 600, 630, 707, DIG. 26
See application file for complete search history.

(56) **References Cited**

U.S. PATENT DOCUMENTS

1,772,725	A *	8/1930	Lewis	84/310
D237,740	S *	11/1975	Blain	D17/20
3,971,287	A *	7/1976	Ito	84/453
4,509,399	A *	4/1985	McKibben	84/216
4,753,147	A *	6/1988	Berardi	84/453

4,762,046	A *	8/1988	Aspri et al.	84/294
D314,968	S *	2/1991	Aspri et al.	D17/20
5,056,397	A *	10/1991	Leifheit	84/318
5,497,690	A *	3/1996	Soupios	84/453
D405,089	S *	2/1999	Sone	D14/222
D593,992	S *	6/2009	Takeo	D14/188
D594,846	S *	6/2009	Teulie	D14/188
D608,339	S *	1/2010	Sanders	D14/188
D641,036	S *	7/2011	Park et al.	D17/20

* cited by examiner

Primary Examiner — Ian Simmons

Assistant Examiner — Carissa C Fitts

(74) *Attorney, Agent, or Firm* — Flynn, Thiel, Boutell & Tanis, P.C.

(57) **CLAIM**

The ornamental design for a silencer, as shown and described.

DESCRIPTION

FIG. 1 is a bottom left front perspective view of a silencer showing our new design;

FIG. 2 is a front elevational view thereof;

FIG. 3 is a rear elevational view thereof;

FIG. 4 is a left side elevational view thereof;

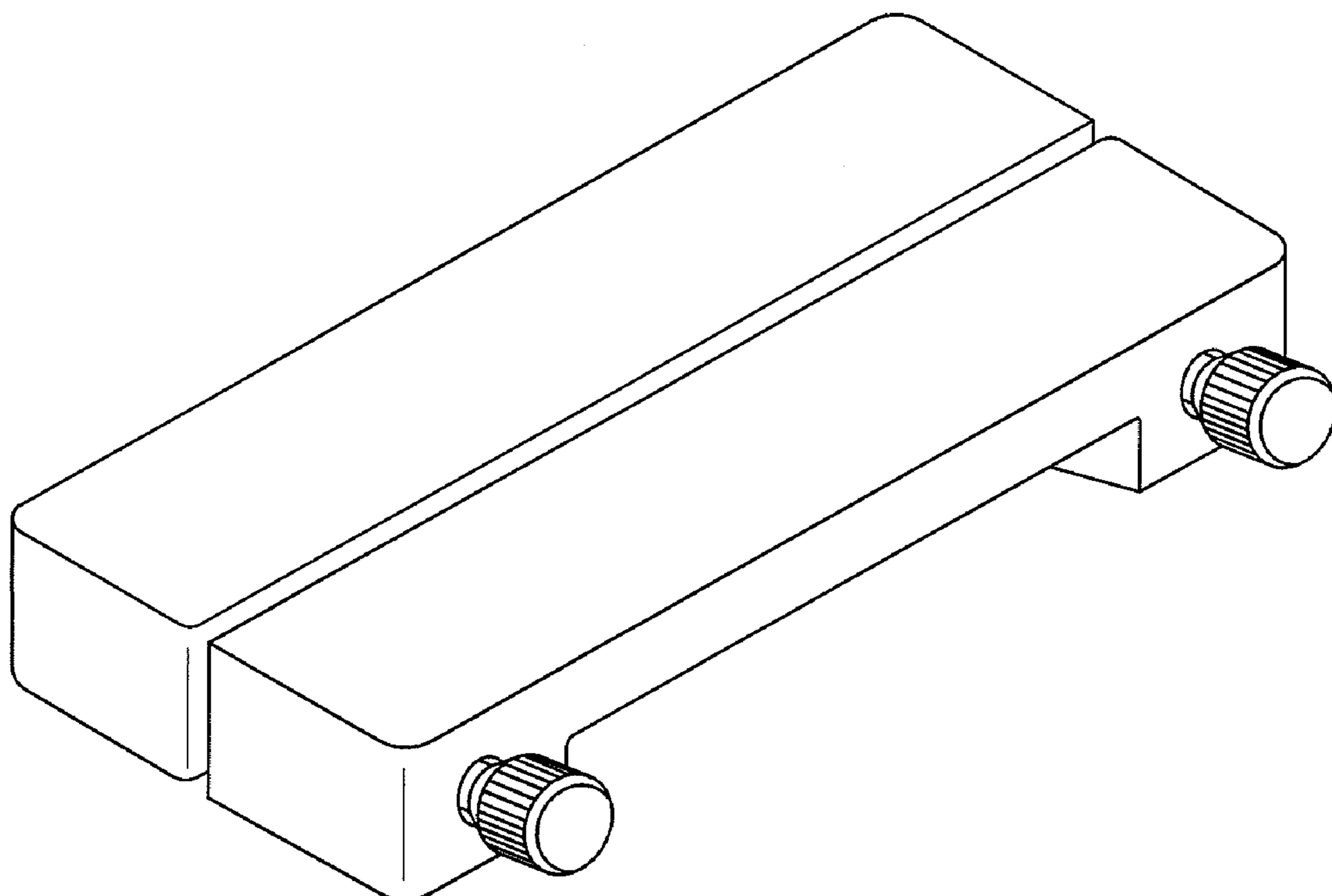
FIG. 5 is a right side elevational view thereof;

FIG. 6 is a top plan view thereof; and,

FIG. 7 is a bottom plan view thereof.

The broken line showing is for environmental purposes only and forms no part of the claimed design.

1 Claim, 7 Drawing Sheets



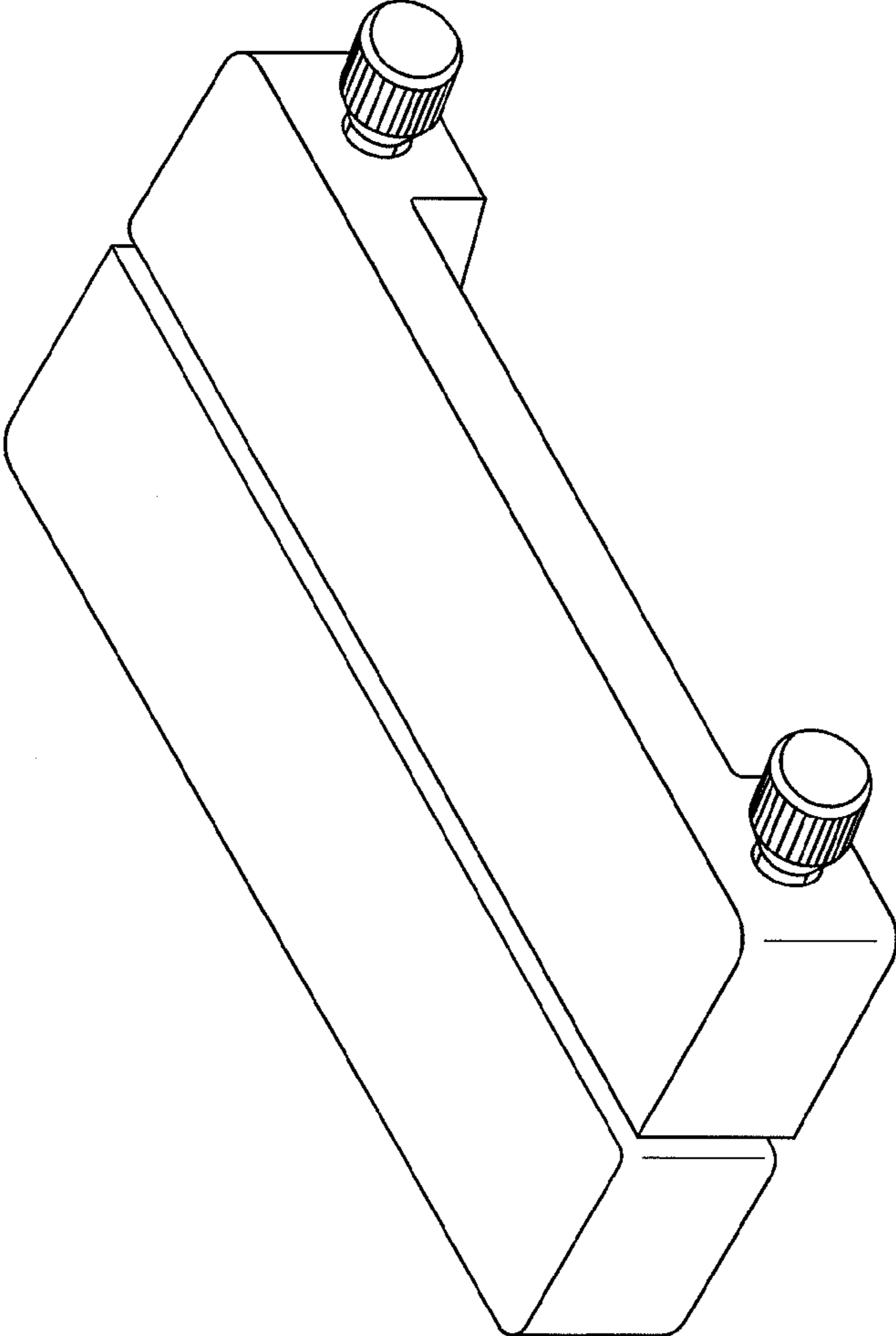


FIG. 1

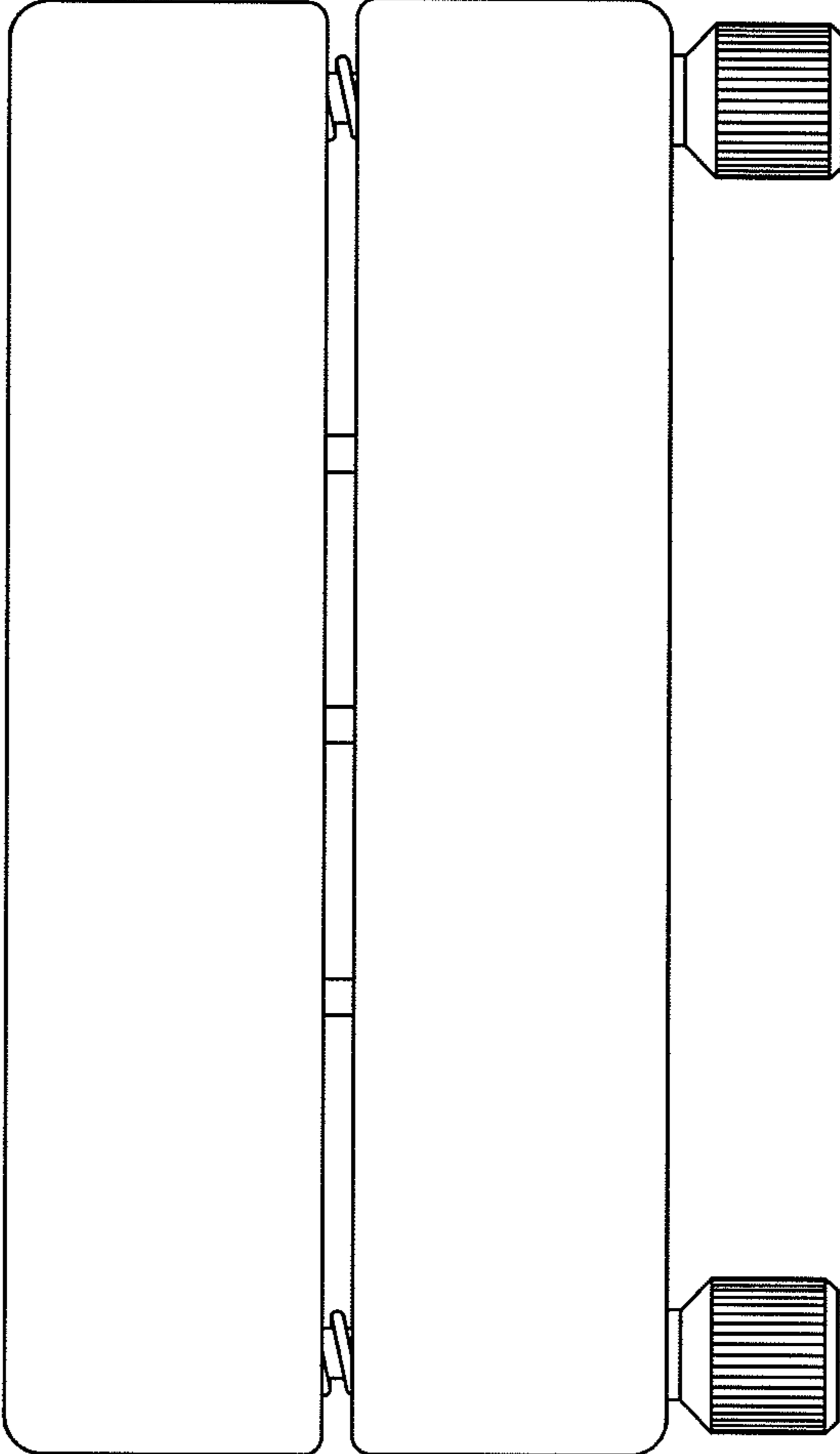


FIG. 2

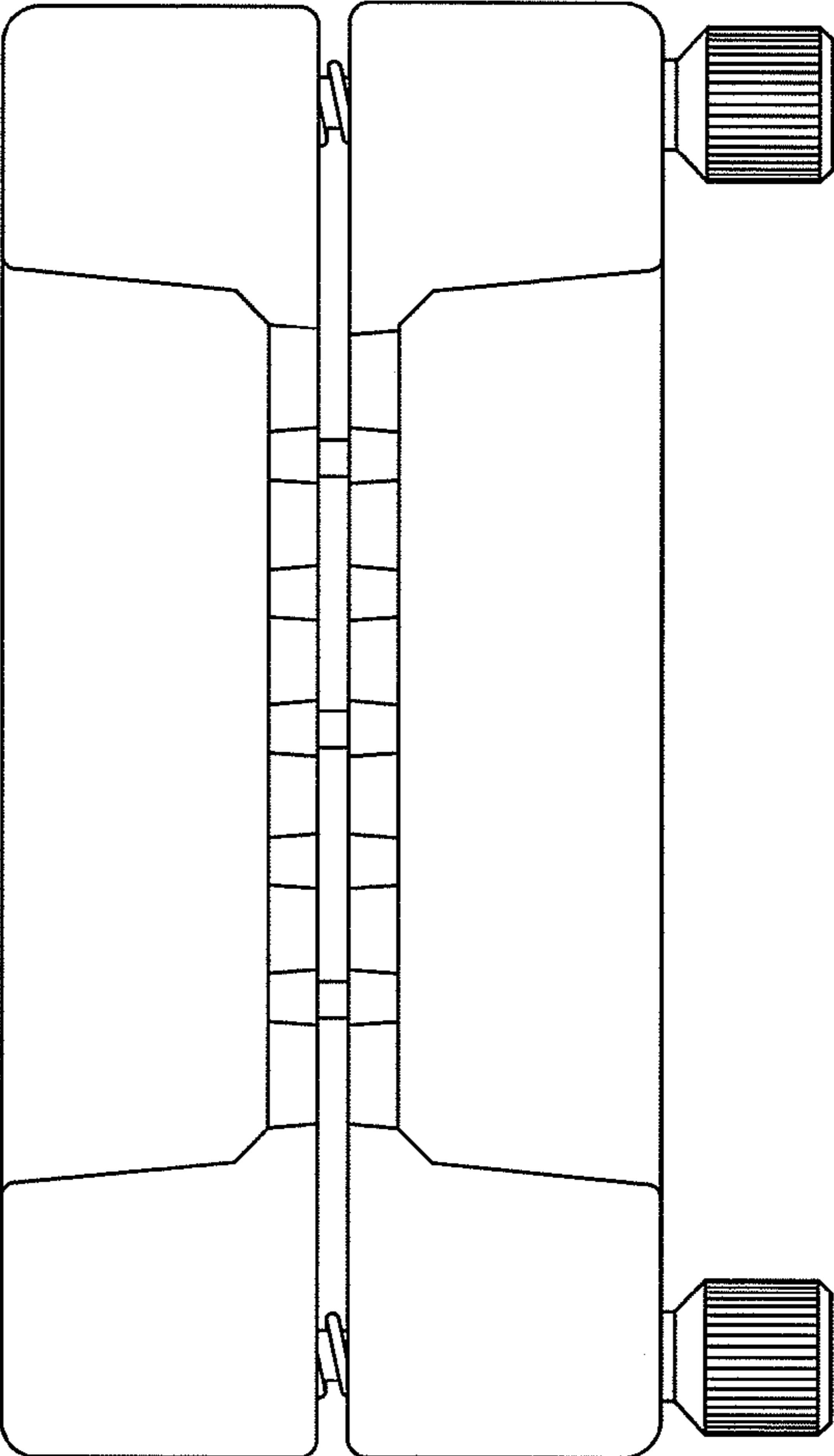


FIG. 3

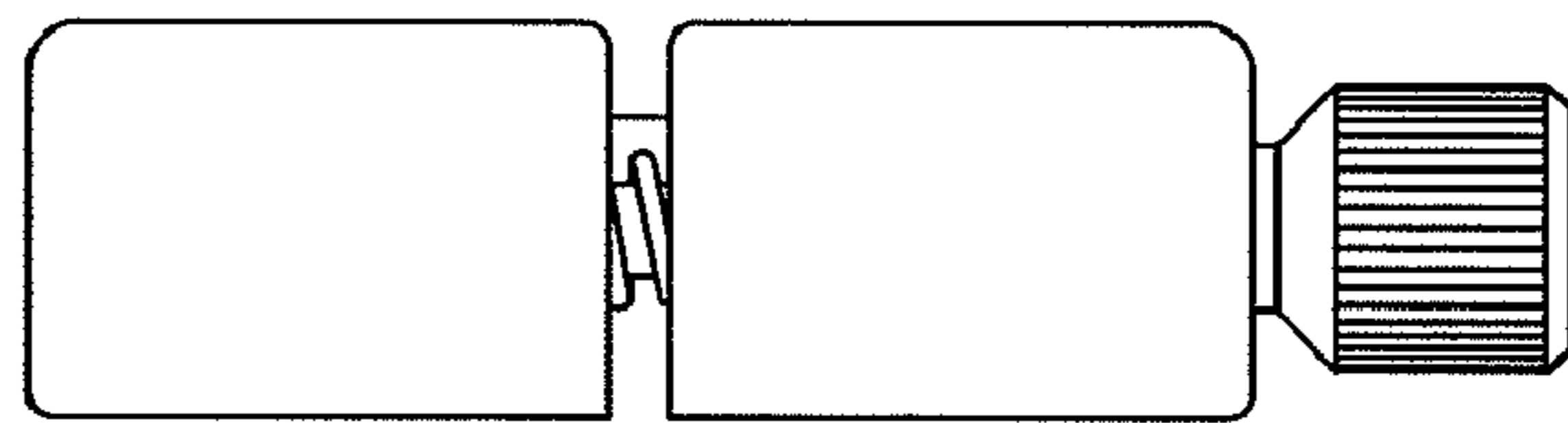


FIG. 4

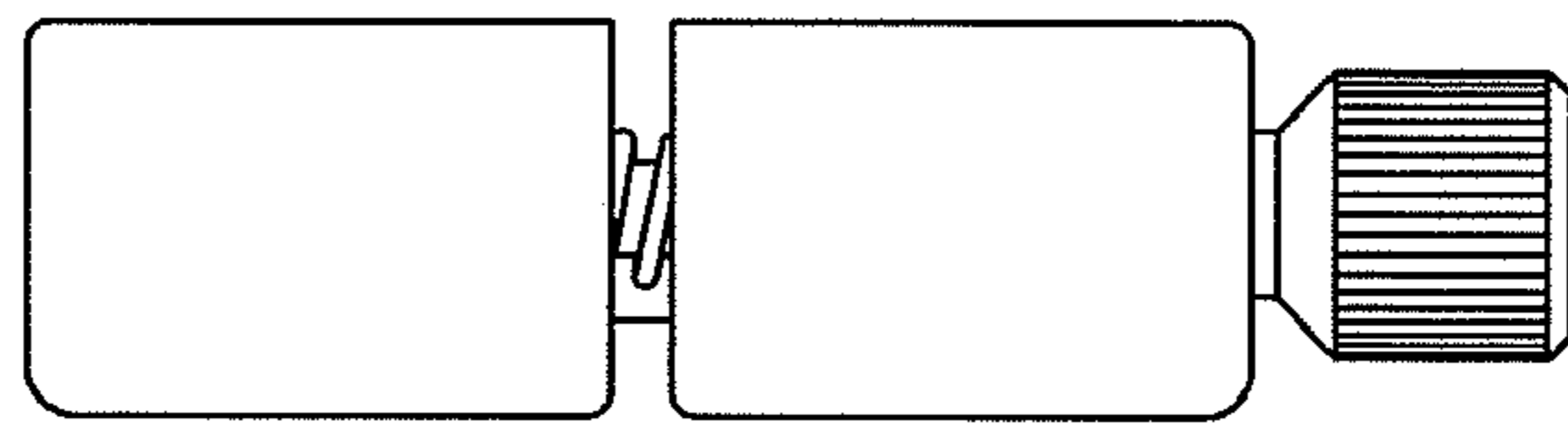


FIG. 5

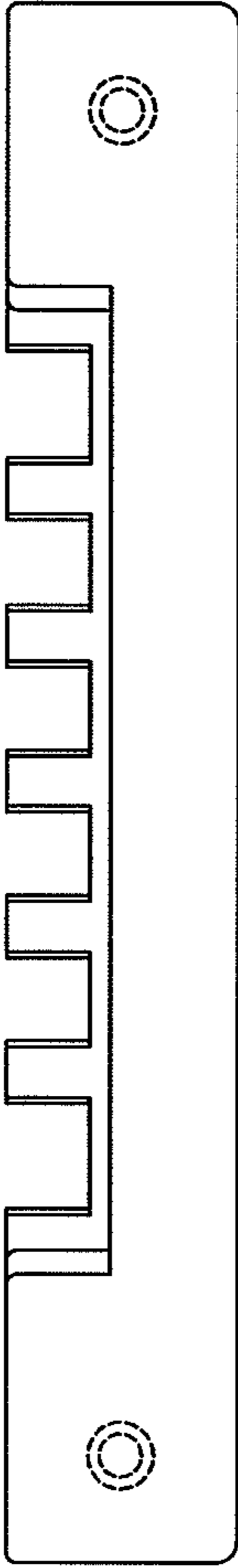


FIG. 6

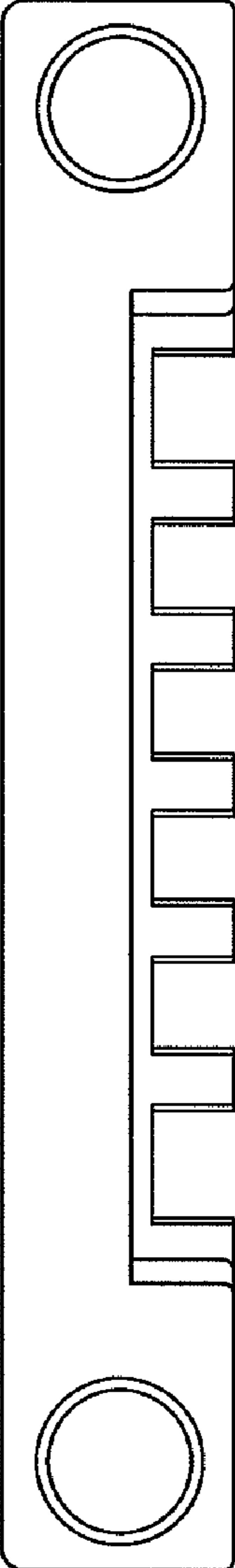


FIG. 7