



US00D662540S

(12) **United States Design Patent**
Aikin

(10) **Patent No.:** **US D662,540 S**
(45) **Date of Patent:** **** Jun. 26, 2012**

(54) **FRET BOARD MOUNTS**

(76) **Inventor:** **Kenneth W. Aikin**, North Charleston, SC (US)

(**) **Term:** **14 Years**

(21) **Appl. No.:** **29/332,966**

(22) **Filed:** **Feb. 27, 2009**

(51) **LOC (9) Cl.** **17-03**

(52) **U.S. Cl.** **D17/20**

(58) **Field of Classification Search** D17/1, D17/7, 9, 12, 13, 14, 20, 10, 18, 99; 84/13, 84/27, 29, 30, 33, 34, 40, 174, 377, DIG. 14, 84/379, 384; 984/51, 52, 101, 113, 114
See application file for complete search history.

(56) **References Cited**

U.S. PATENT DOCUMENTS

D102,164	S	*	12/1936	Harlin	D17/20
4,137,813	A	*	2/1979	Stone et al.	84/314 R
D264,477	S	*	5/1982	Brent	D17/20
D424,601	S	*	5/2000	Tanaka	D17/20
D425,106	S	*	5/2000	Park	D17/20
6,218,603	B1	*	4/2001	Coonce	84/485 R
6,452,080	B1	*	9/2002	Coonce	84/477 R
D622,306	S	*	8/2010	Jacob	D17/20
D626,991	S	*	11/2010	Jacob	D17/20

* cited by examiner

Primary Examiner — Ian Simmons

Assistant Examiner — Charles Hanson

(74) *Attorney, Agent, or Firm* — QuickPatents, Inc.; Kevin Price

(57) **CLAIM**

I claim the ornamental design for fret board mounts, as shown and described.

DESCRIPTION

FIG. 1 is a perspective view of fret board mounts, showing my new design as adhered to a fret board;

FIG. 2 is an alternate perspective view thereof, illustrated without the fret board;

FIG. 3 is a top plan view of FIG. 2, the bottom plan view being a mirror image thereof;

FIG. 4 is a left-side elevational view of FIG. 2, the right-side elevational view being a mirror image thereof;

FIG. 5 is a front elevational view one of the fret board risers, taken generally along lines 5-5 of FIG. 1;

FIG. 6 is a front elevational view of a first fret board riser, taken generally along lines 6-6 of FIG. 1;

FIG. 7 is a perspective view of a second embodiment of the design;

FIG. 8 is a top plan view of FIG. 7;

FIG. 9 is a bottom plan view of FIG. 7;

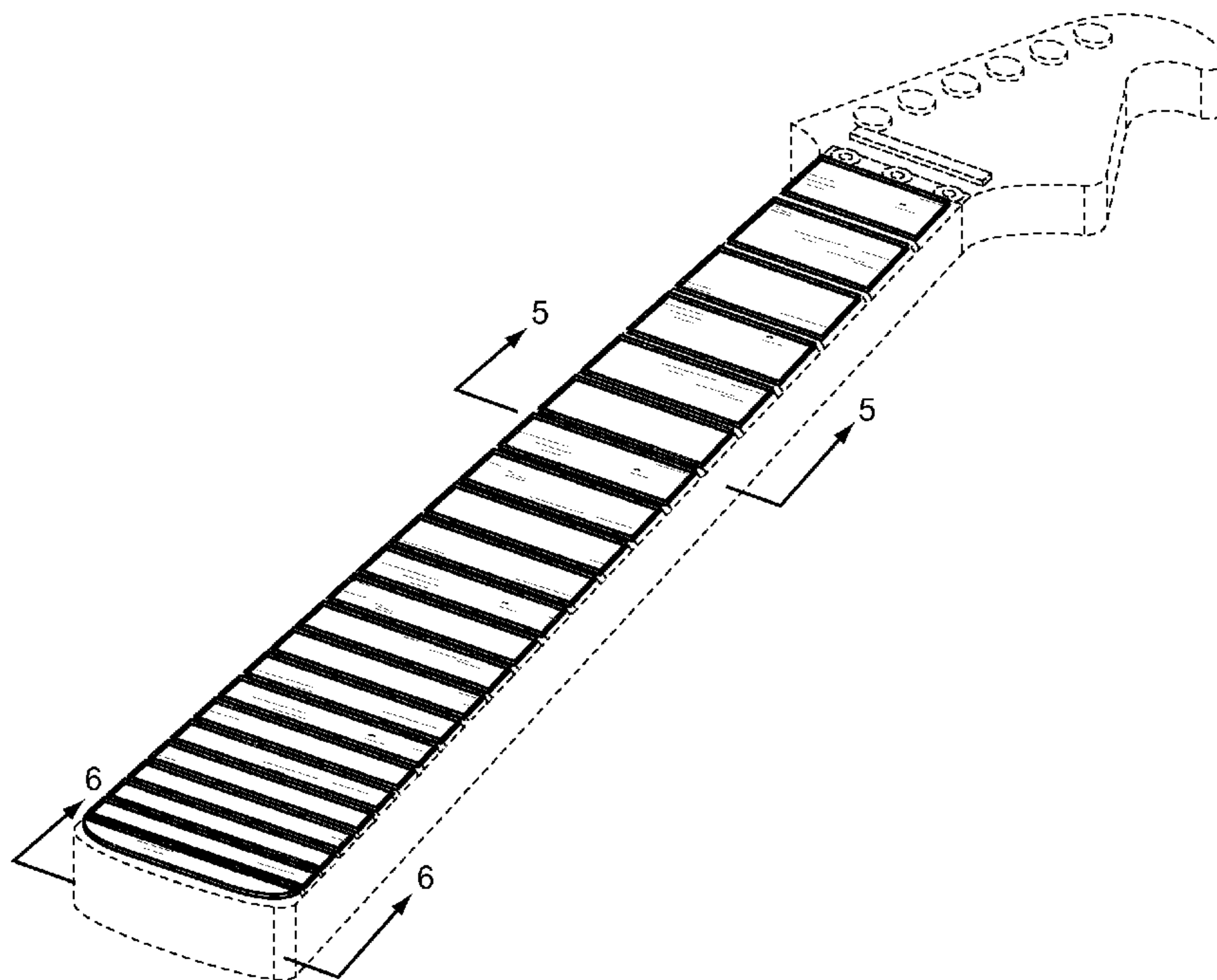
FIG. 10 is a left-side elevational view of FIG. 7, the right-side elevational view being a mirror image thereof;

FIG. 11 is a front elevational view one of the fret board risers, taken generally along lines 11-11 of FIG. 7; and,

FIG. 12 is a front elevational view of a first fret board riser, taken generally along lines 12-12 of FIG. 7.

The broken lines showing of a guitar neck and fret board in FIG. 1 are included for the purpose of illustrating the invention in use, and form no part of the claimed design.

1 Claim, 3 Drawing Sheets



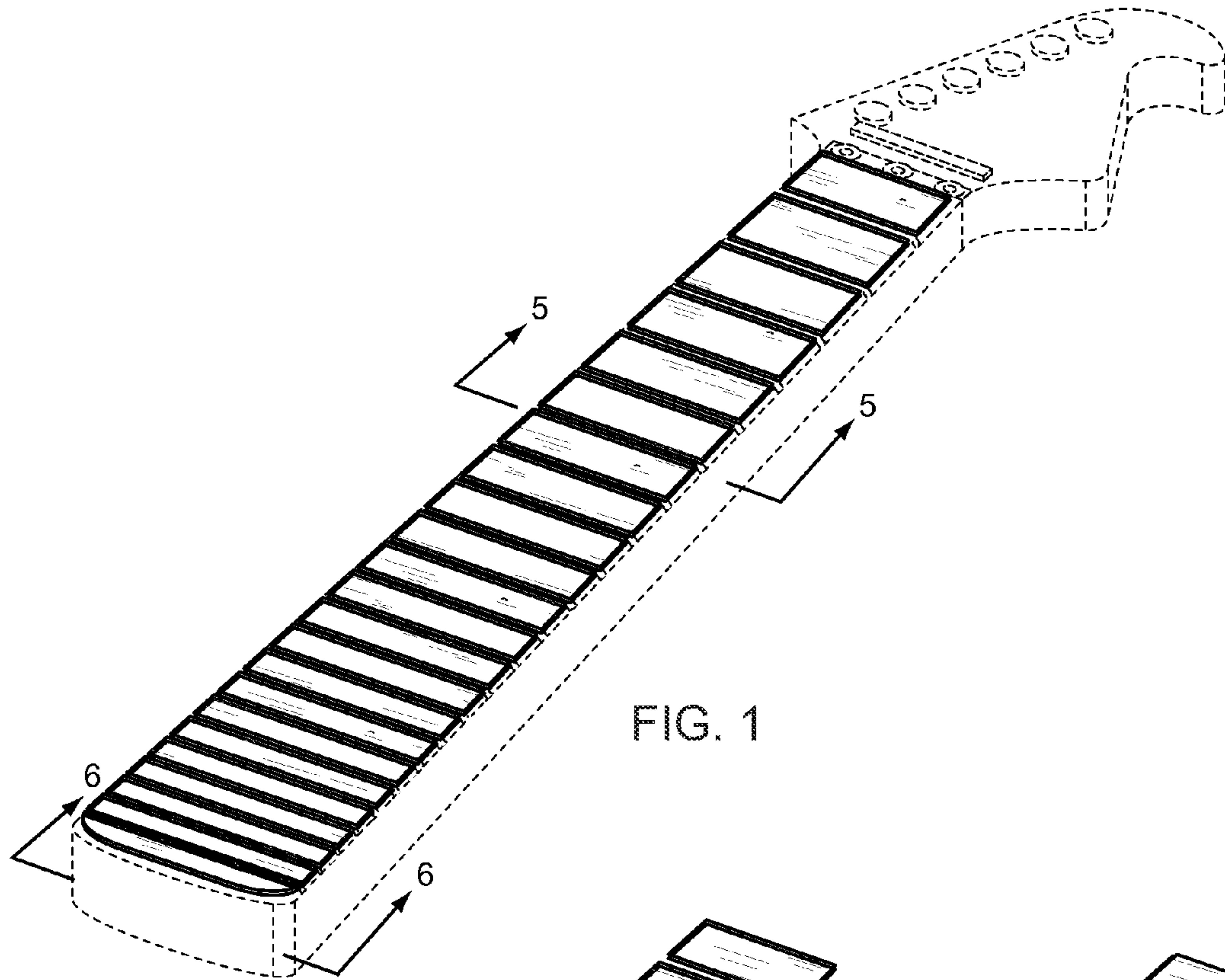


FIG. 1

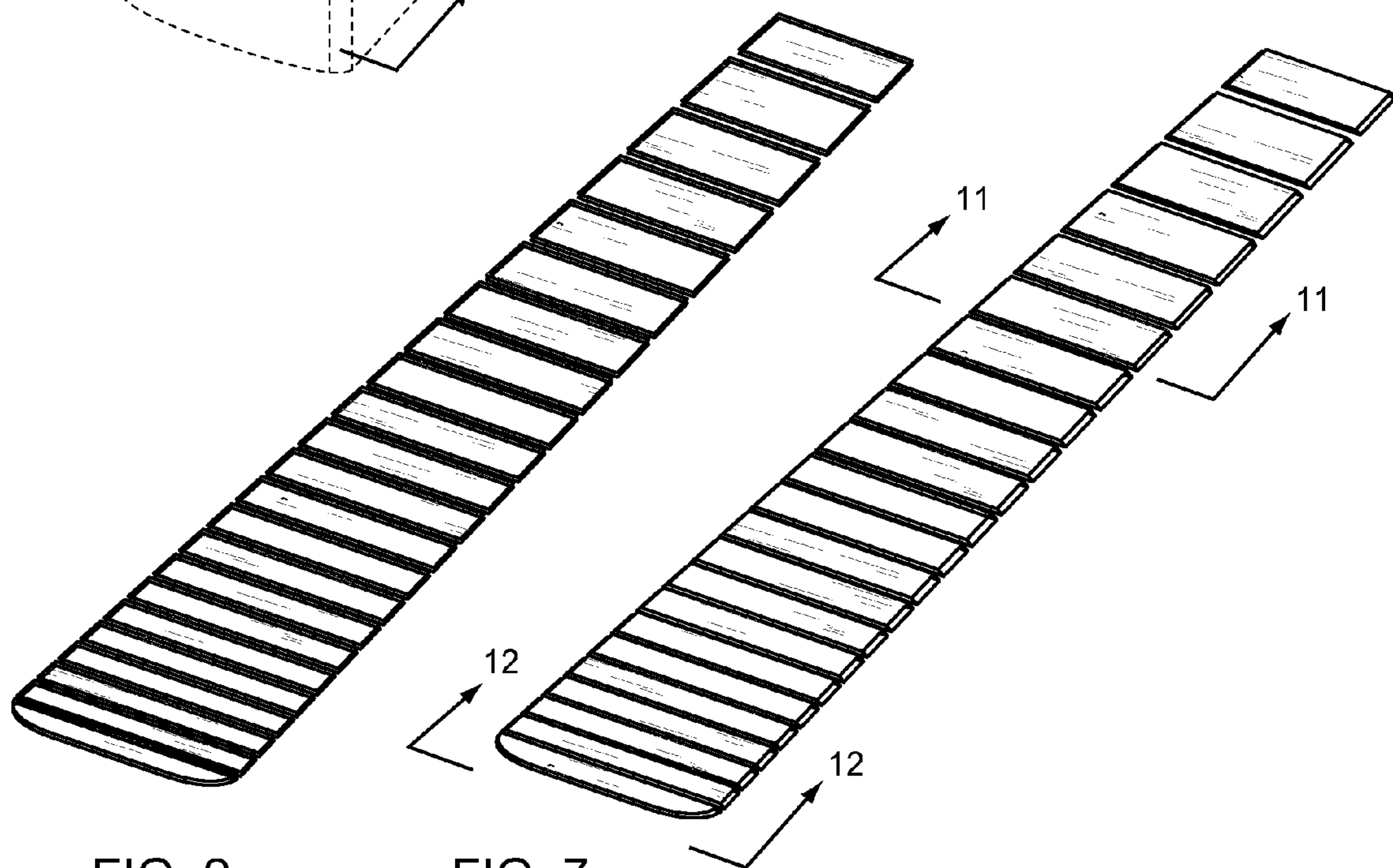


FIG. 2

FIG. 7

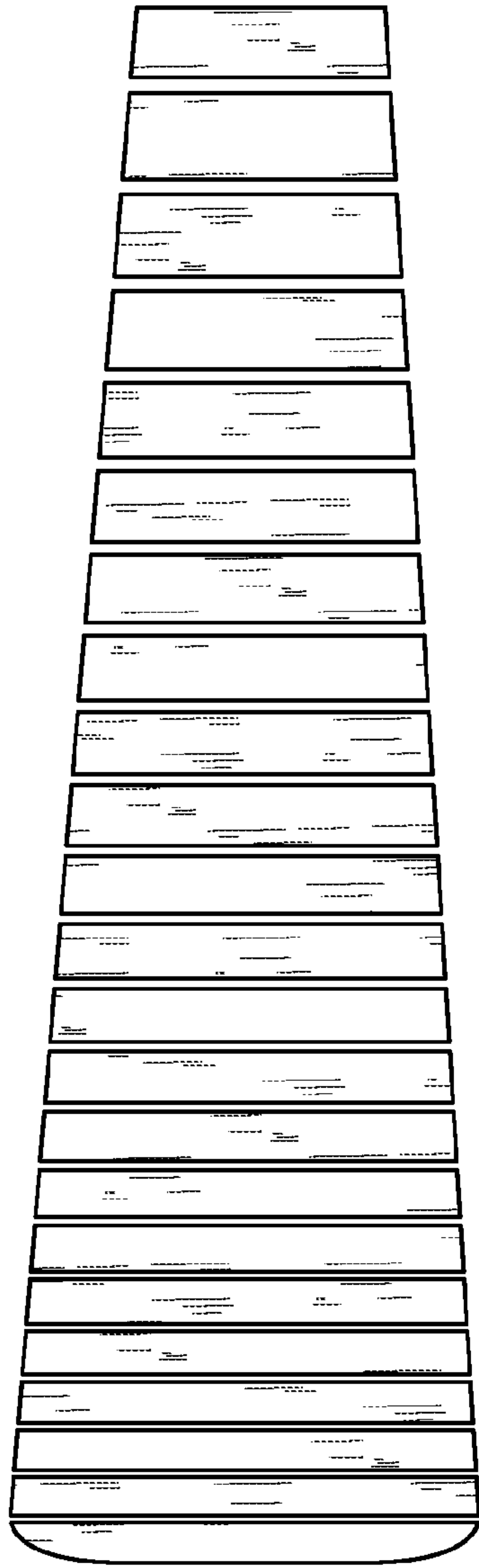


FIG. 3



FIG. 4



FIG. 5



FIG. 6

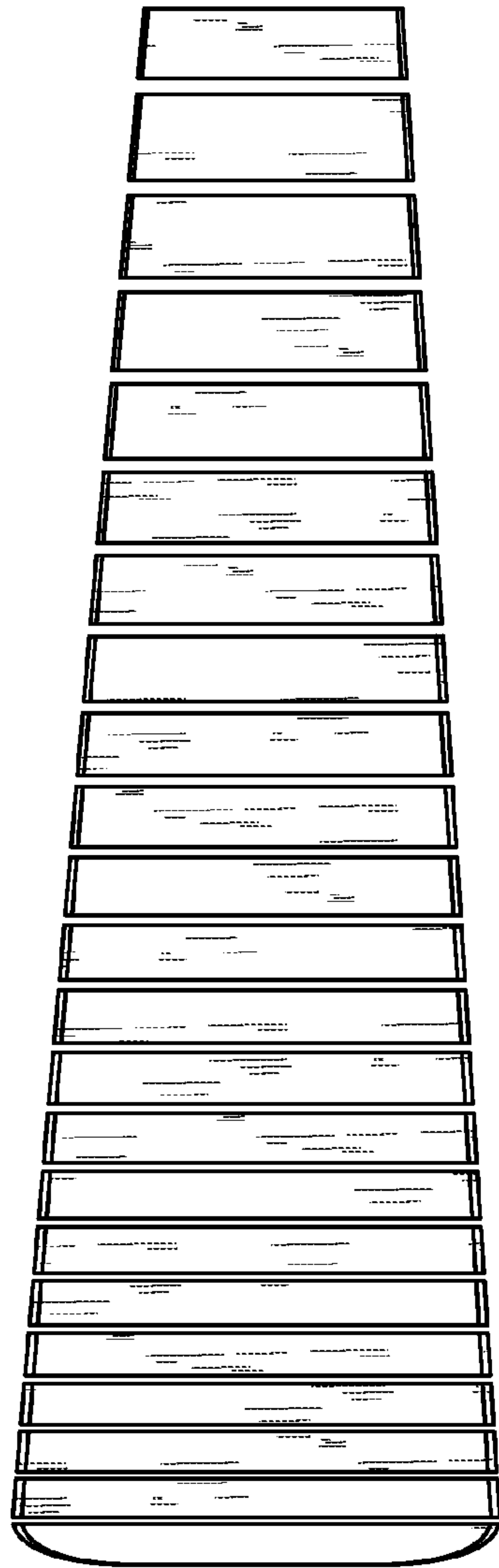


FIG. 8

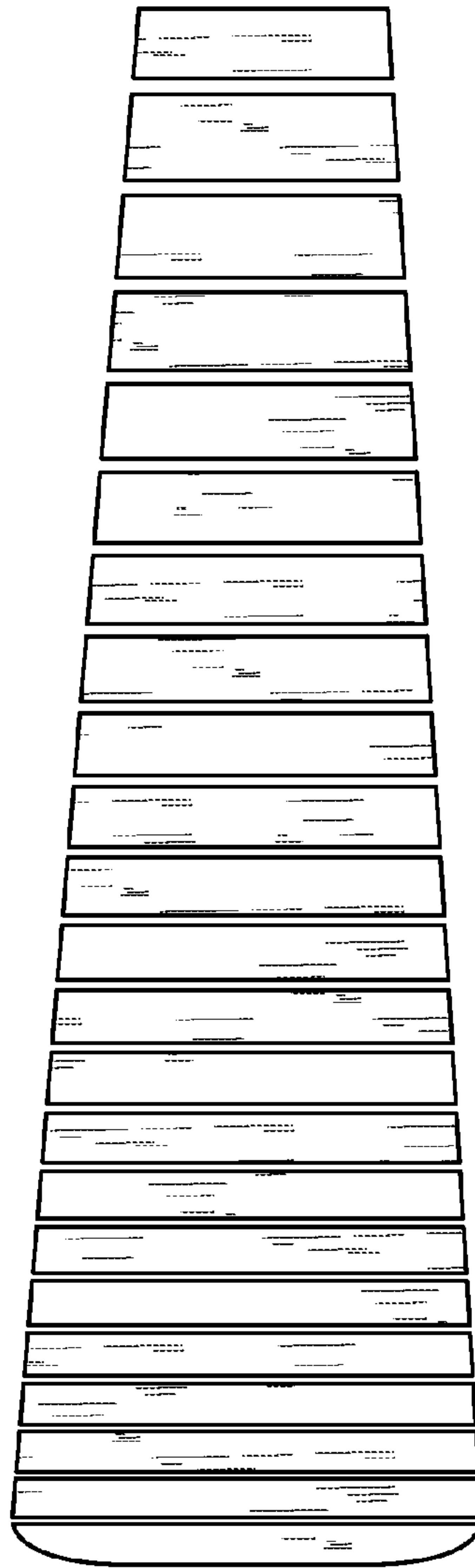


FIG. 9



FIG. 10

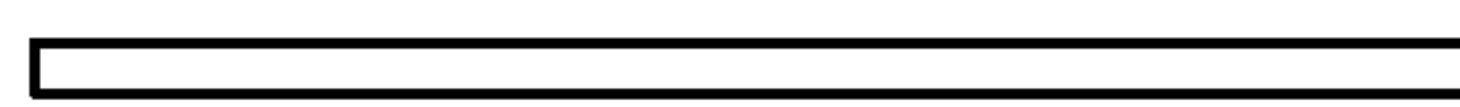


FIG. 11



FIG. 12