



US00D662534S

(12) **United States Design Patent**
Chang

(10) **Patent No.:** **US D662,534 S**
(45) **Date of Patent:** **** Jun. 26, 2012**

(54) **MICRO PROJECTOR**

(75) Inventor: **Gen-Yuan Chang**, New Taipei (TW)

(73) Assignee: **Cheng Uei Precision Industry Co., Ltd.**, New Taipei (TW)

(**) Term: **14 Years**

(21) Appl. No.: **29/399,458**

(22) Filed: **Aug. 15, 2011**

(51) **LOC (9) Cl.** **16-02**

(52) **U.S. Cl.** **D16/225**

(58) **Field of Classification Search** D16/205,
D16/208, 221, 225, 230–231, 234, 203, 213,
D16/218, 229; D21/514; 353/39, 115, 119,
353/122; 348/373, 375–376; 396/429
See application file for complete search history.

(56) **References Cited**

U.S. PATENT DOCUMENTS

D434,057 S *	11/2000	Whitby et al.	D16/203
D464,073 S *	10/2002	Nakamura	D16/230
D484,160 S *	12/2003	Kangasmaa	D16/203
D491,971 S *	6/2004	Oross et al.	D16/225
D500,511 S *	1/2005	Sybilrud	D16/203
7,059,732 B2 *	6/2006	Oross et al.	353/119

D554,685 S *	11/2007	Ishikawa	D16/221
D557,316 S *	12/2007	Bang et al.	D16/221
D564,559 S *	3/2008	Stephens et al.	D16/208
D599,834 S *	9/2009	Cheng et al.	D16/229
D626,986 S *	11/2010	Chen	D16/230
D632,326 S *	2/2011	Hou	D16/229

* cited by examiner

Primary Examiner — Wan Laymon

(74) *Attorney, Agent, or Firm* — WPAT, P.C.; Anthony King

(57) **CLAIM**

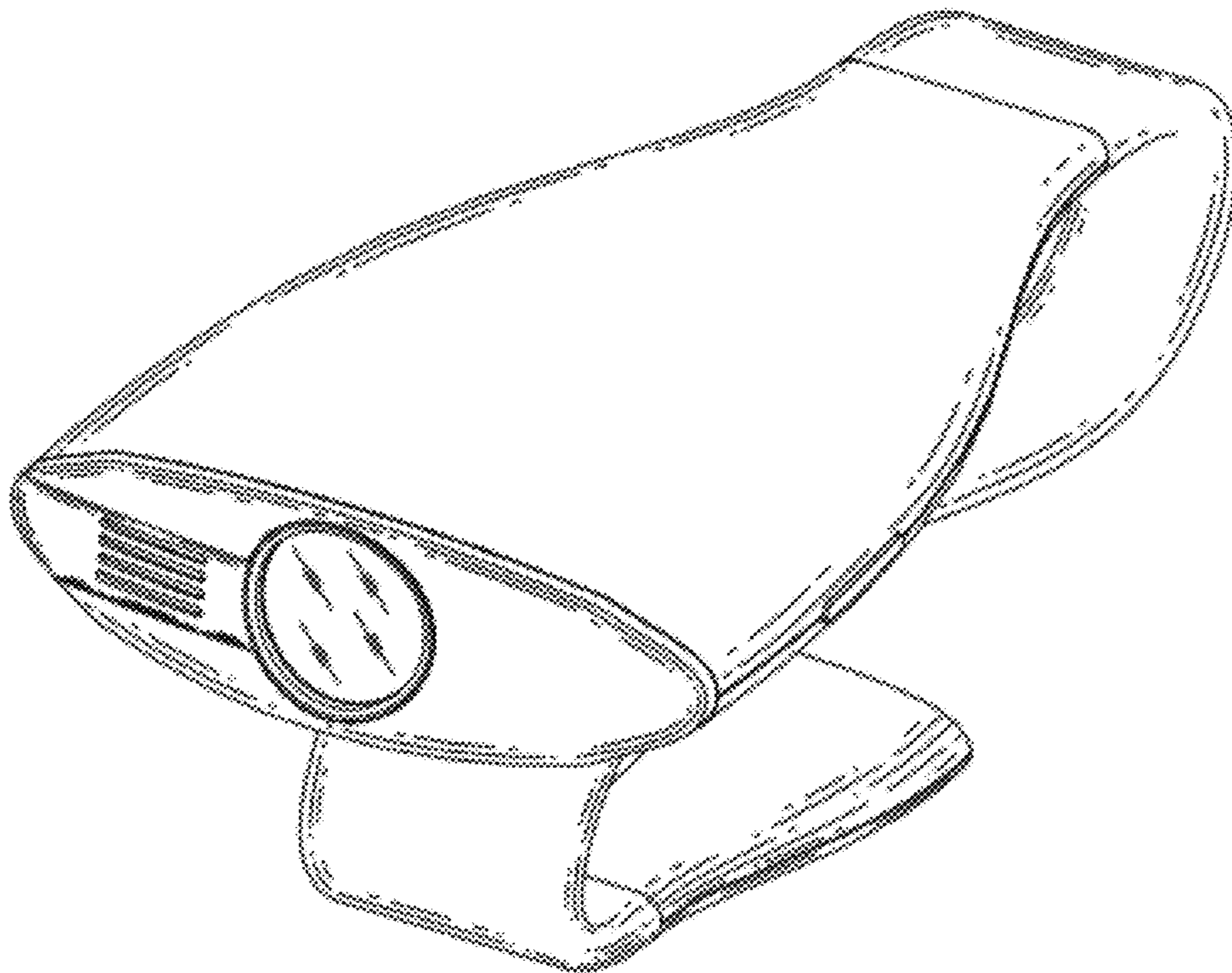
The ornamental design for a micro projector, as shown and described.

DESCRIPTION

FIG. 1 is a perspective view of a micro projector showing my new design;
FIG. 2 is a front elevational view thereof;
FIG. 3 is a rear elevational view thereof;
FIG. 4 is a left side elevational view thereof;
FIG. 5 is a right side elevational view thereof;
FIG. 6 is a top plan view thereof; and,
FIG. 7 is a bottom plan view thereof.

The broken line portion of the figure drawings is included to show unclaimed subject matter only and forms no part of the claimed design.

1 Claim, 7 Drawing Sheets



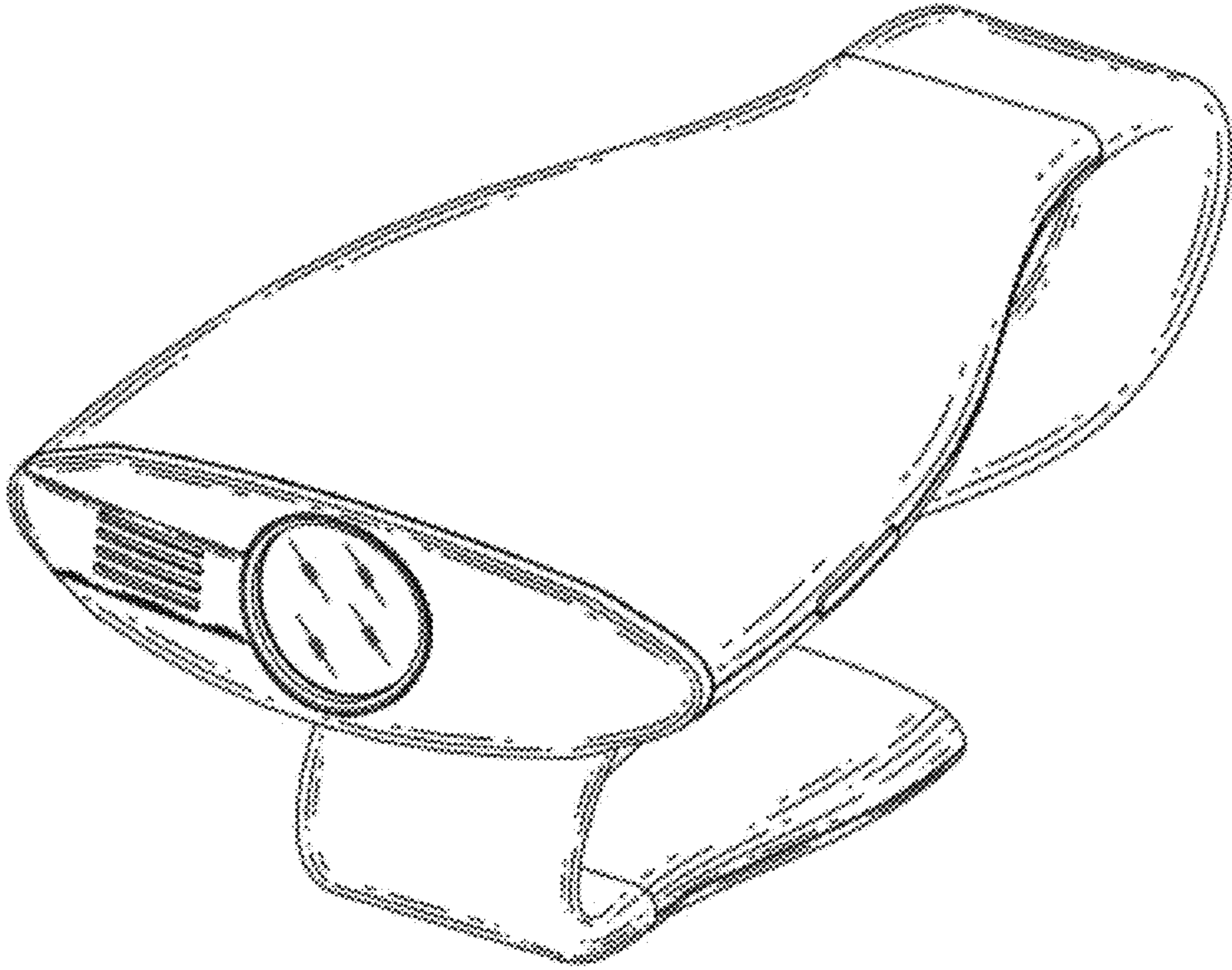


FIG. 1

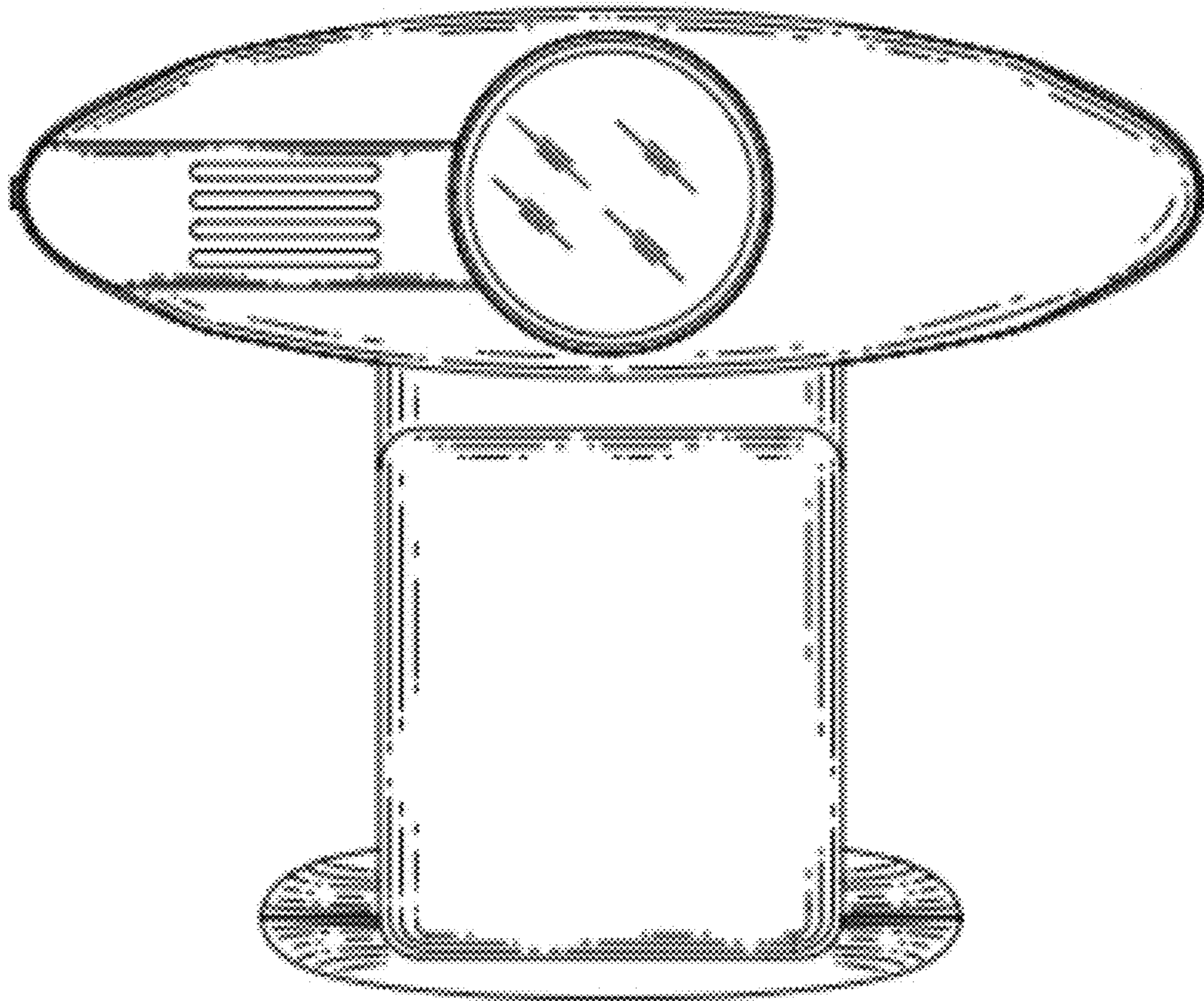


FIG. 2

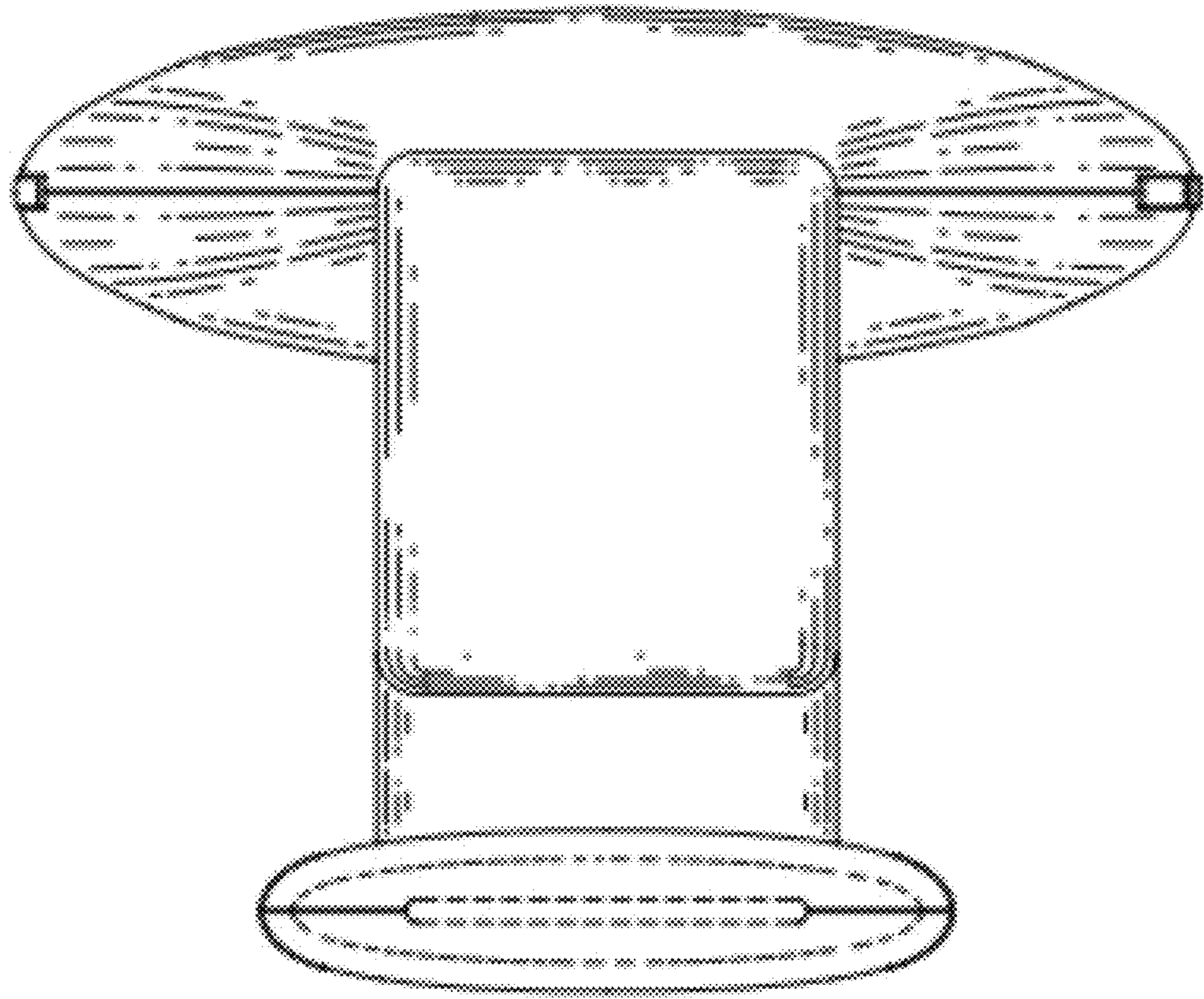


FIG. 3

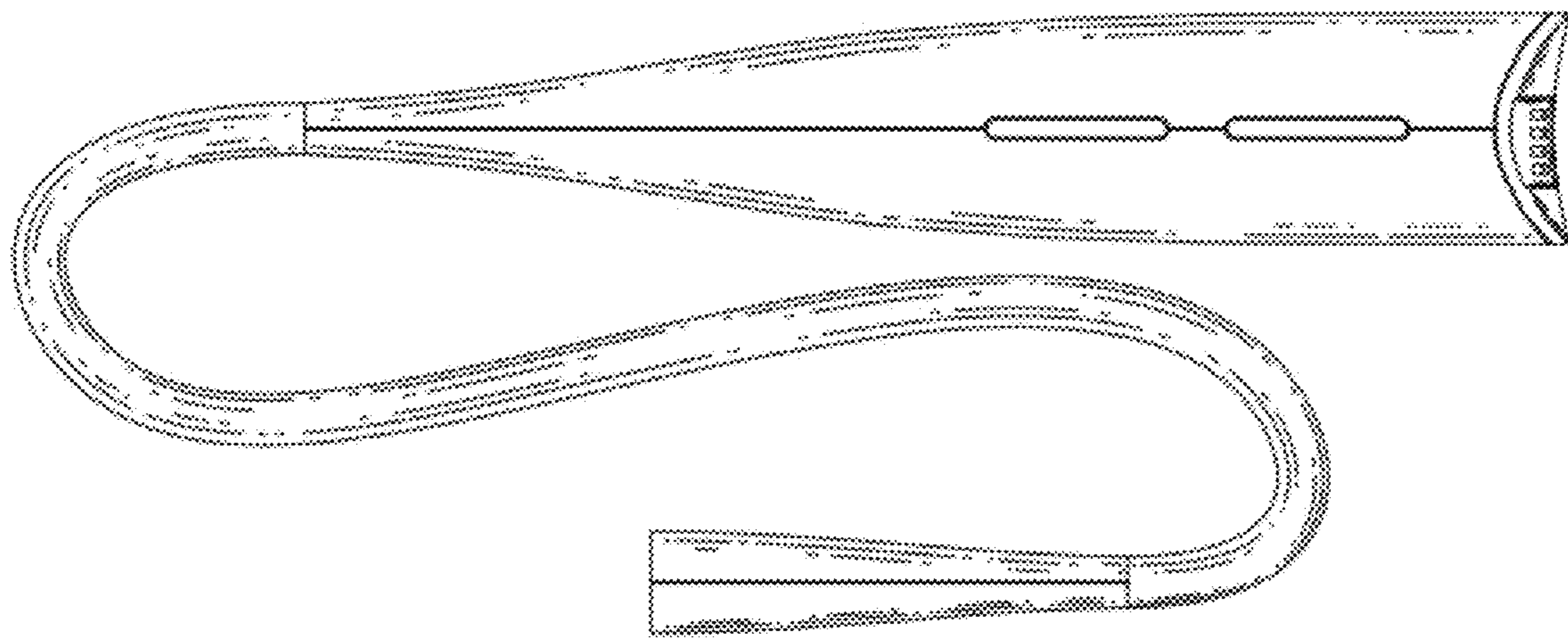


FIG. 4

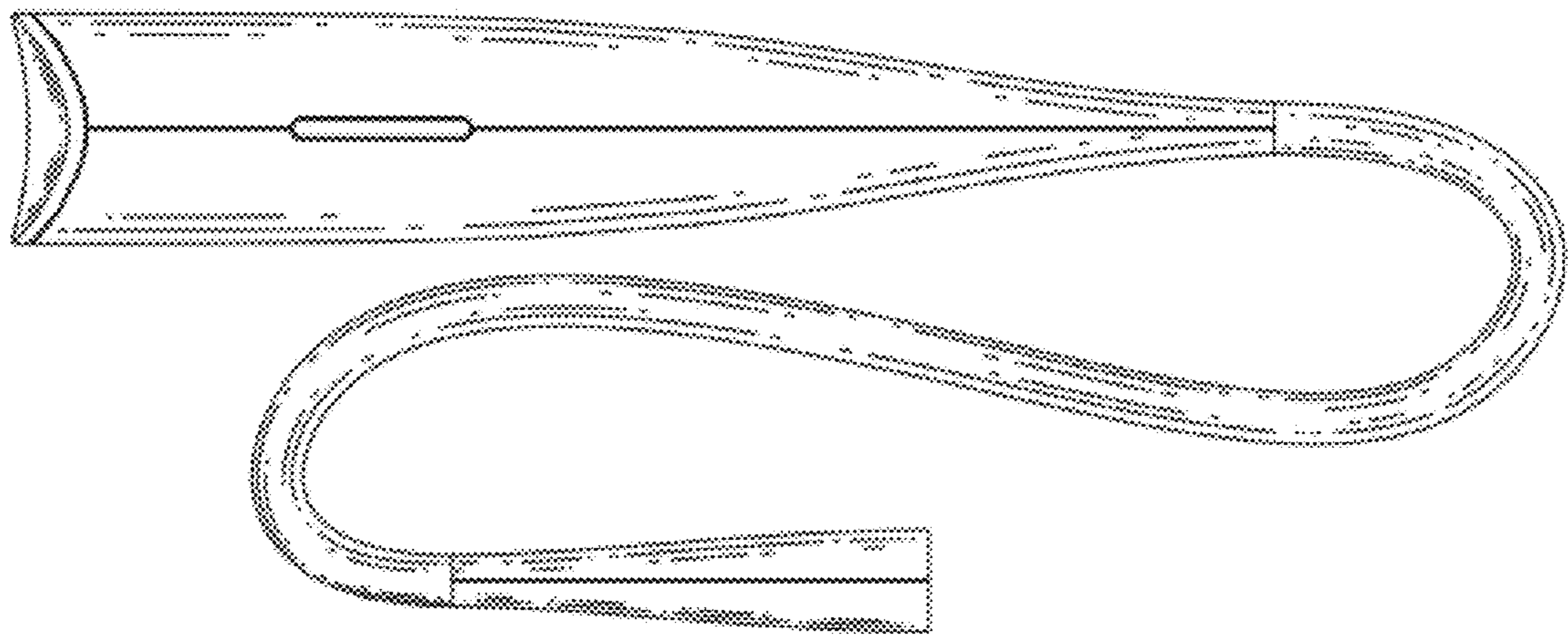


FIG. 5

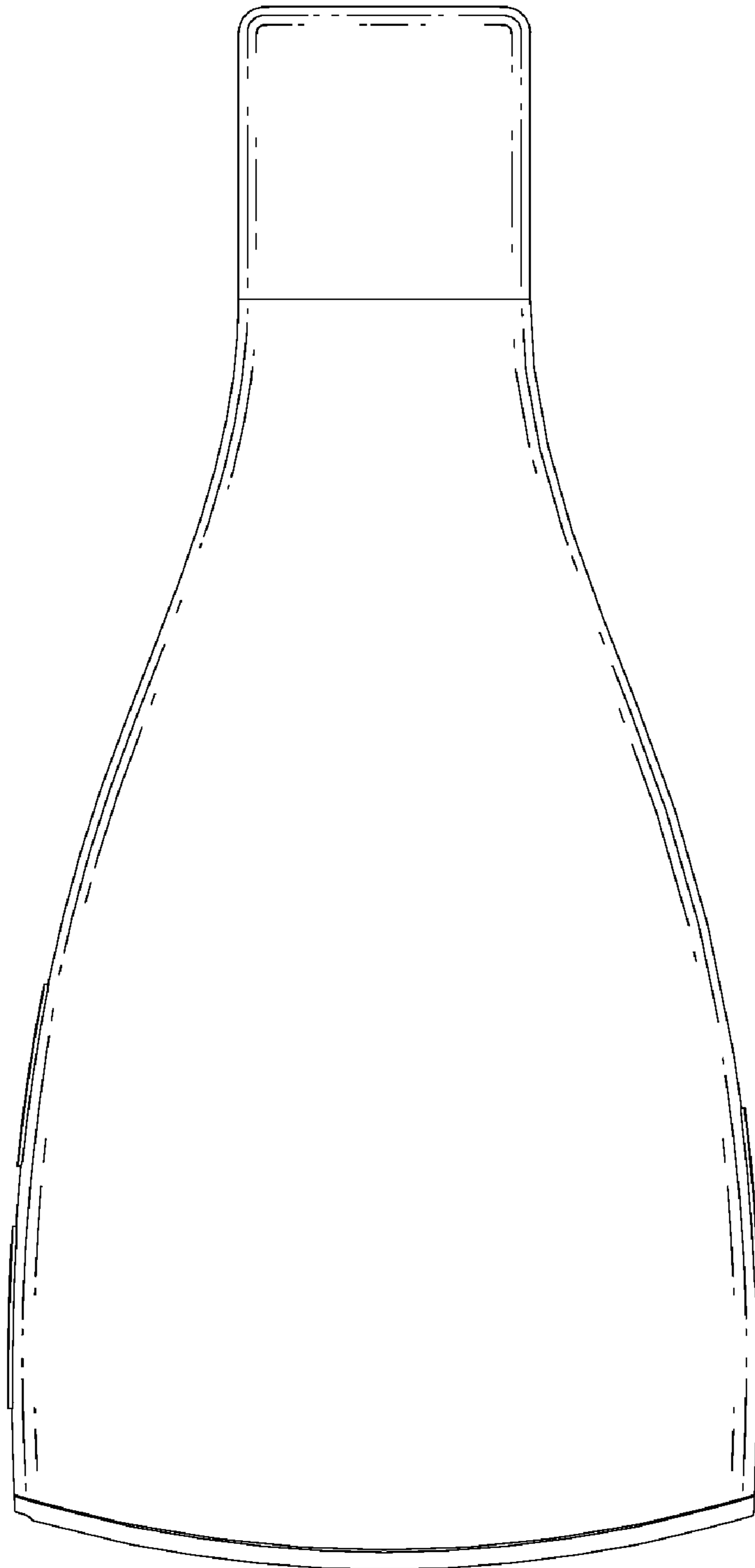


FIG. 6

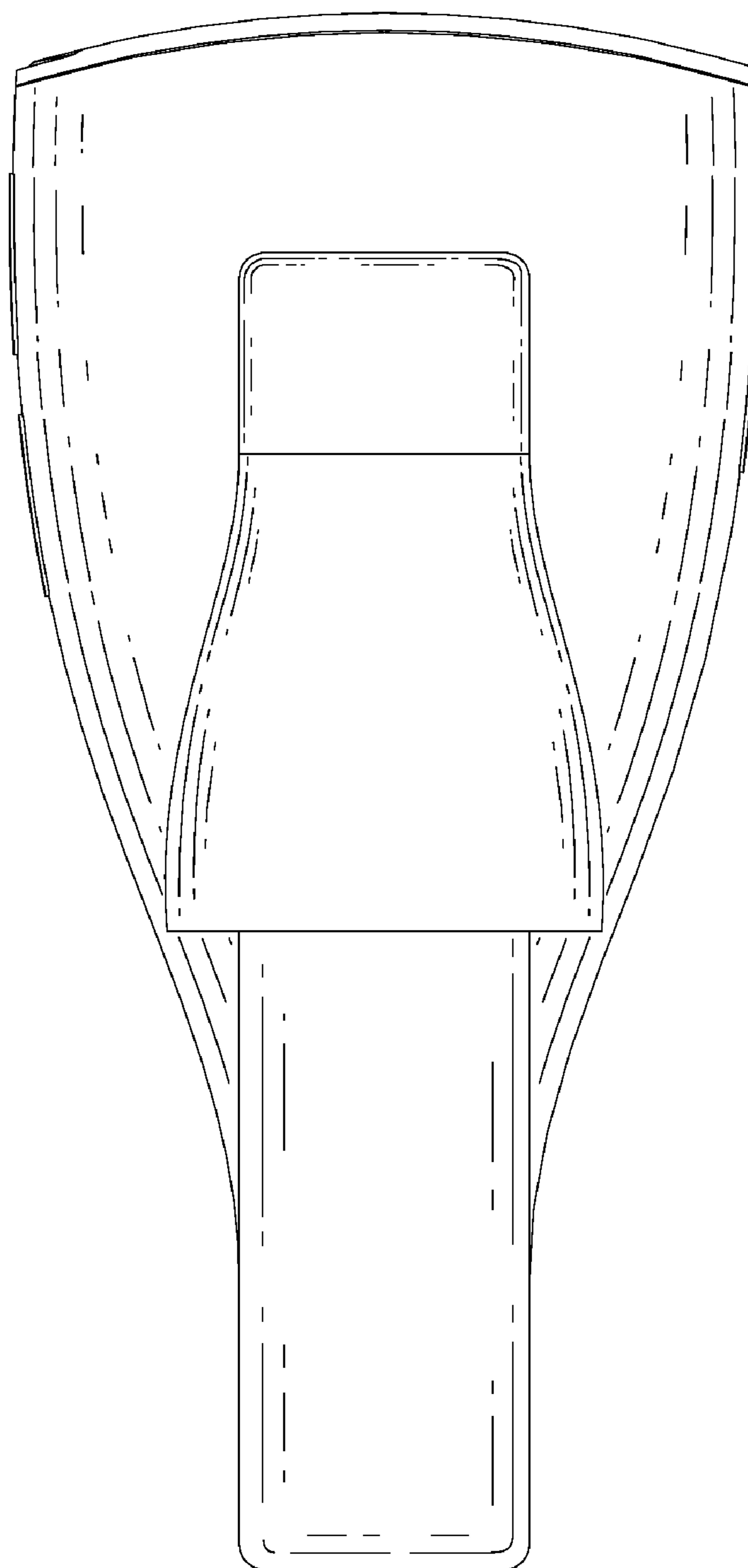


FIG. 7