



US00D662533S

(12) **United States Design Patent**
Hsiung et al.

(10) **Patent No.:** **US D662,533 S**
(45) **Date of Patent:** **** Jun. 26, 2012**

(54) **IMAGE DEVICE FOR PROJECTING
FLOATING IMAGES IN THE AIR**

(75) Inventors: **Chao-Wang Hsiung**, Taoyuan County
(TW); **Hsien-Wen Chang**, Taipei (TW)

(73) Assignee: **Innovision Labs Co., Ltd.**, Taipei
County (TW)

(**) Term: **14 Years**

(21) Appl. No.: **29/363,697**

(22) Filed: **Jun. 14, 2010**

(30) **Foreign Application Priority Data**

Apr. 30, 2010 (TW) 99302176

(51) **LOC (9) Cl.** **16-02**

(52) **U.S. Cl.** **D16/225**

(58) **Field of Classification Search** D16/221,
D16/225, 229, 222, 230, 233, 215, 232; 382/154;
345/5-6; 348/333.1, 333.11, 333.12, 54,
348/E13.067, E13.022; 352/104, 114; 353/34,
353/49, 51, 115, 119, 122; D6/449; 359/479,
359/726

See application file for complete search history.

(56) **References Cited**

U.S. PATENT DOCUMENTS

3,462,214 A * 8/1969 Glenn, Jr. D16/225
5,357,277 A * 10/1994 Nakayoshi et al. 348/54
6,072,600 A * 6/2000 Wertsberger D16/229
6,414,746 B1 * 7/2002 Stettner et al. 356/4.01
7,057,581 B1 * 6/2006 Knabenbauer 345/6
D564,256 S * 3/2008 Simonsen D6/449

D617,361 S * 6/2010 Simonsen et al. D16/225
2008/0144175 A1 * 6/2008 Simonsen 359/479
2011/0037834 A1 * 2/2011 Hsiung et al. 348/E13.074

OTHER PUBLICATIONS

HoloADTM Diamond Series. 2011 [retrieved on Jan. 17, 2012].
Retrieved from the Internet: <URL: [http://www.taiwantrade.com.tw/MAIN/en_front/searchserv.do?method=ListProductProduct...>.*](http://www.taiwantrade.com.tw/MAIN/en_front/searchserv.do?method=ListProductProduct...)

* cited by examiner

Primary Examiner — Wan Laymon

(74) *Attorney, Agent, or Firm* — WPAT, P.C.; Anthony King

(57) **CLAIM**

The ornamental design for an image device for projecting floating images in the air, as shown and described.

DESCRIPTION

FIG. 1 is a front and right side perspective view of an image device for projecting floating images in the air showing our new design;

FIG. 2 is a rear and right perspective view thereof;

FIG. 3 is a front view thereof;

FIG. 4 is a rear view thereof;

FIG. 5 is a left side view thereof;

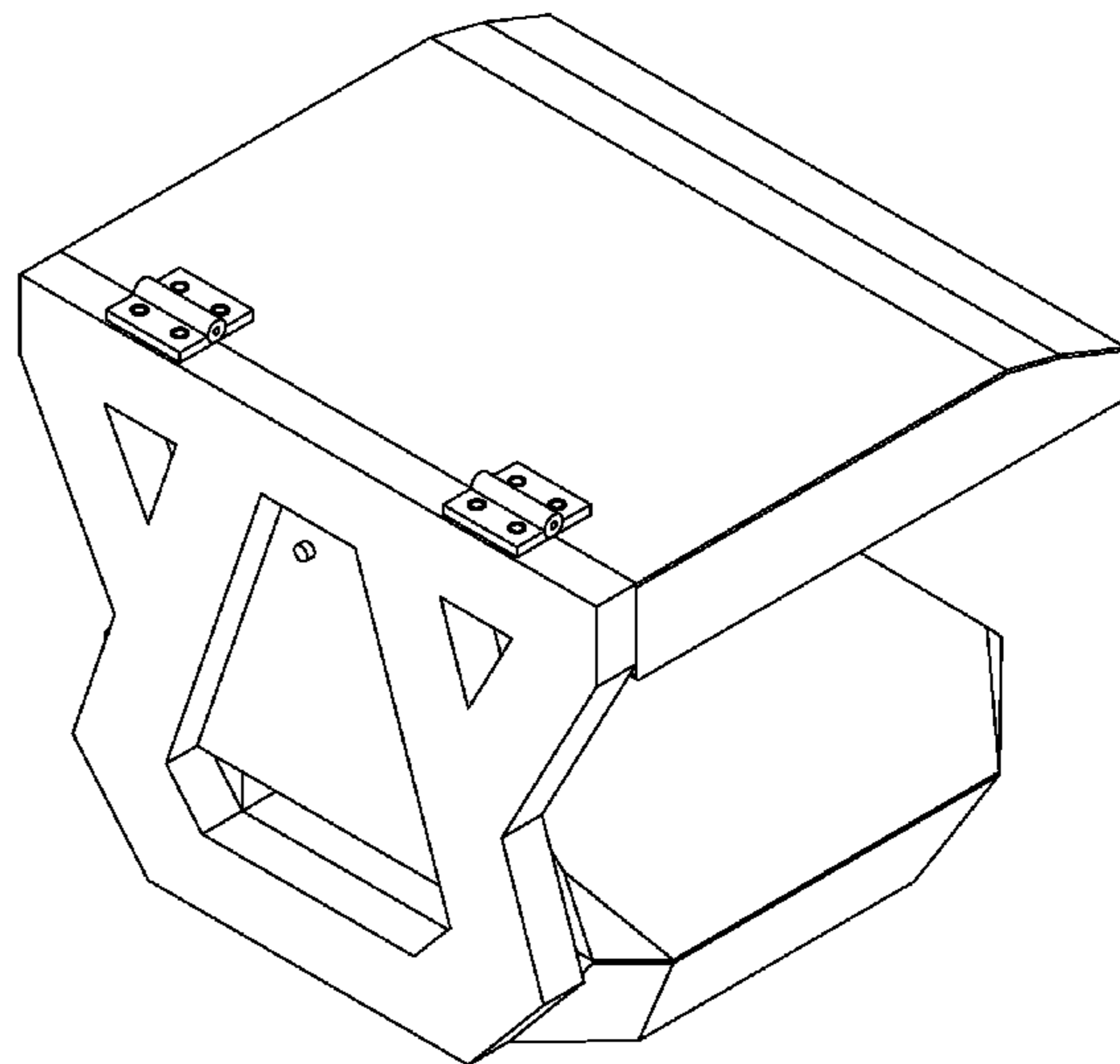
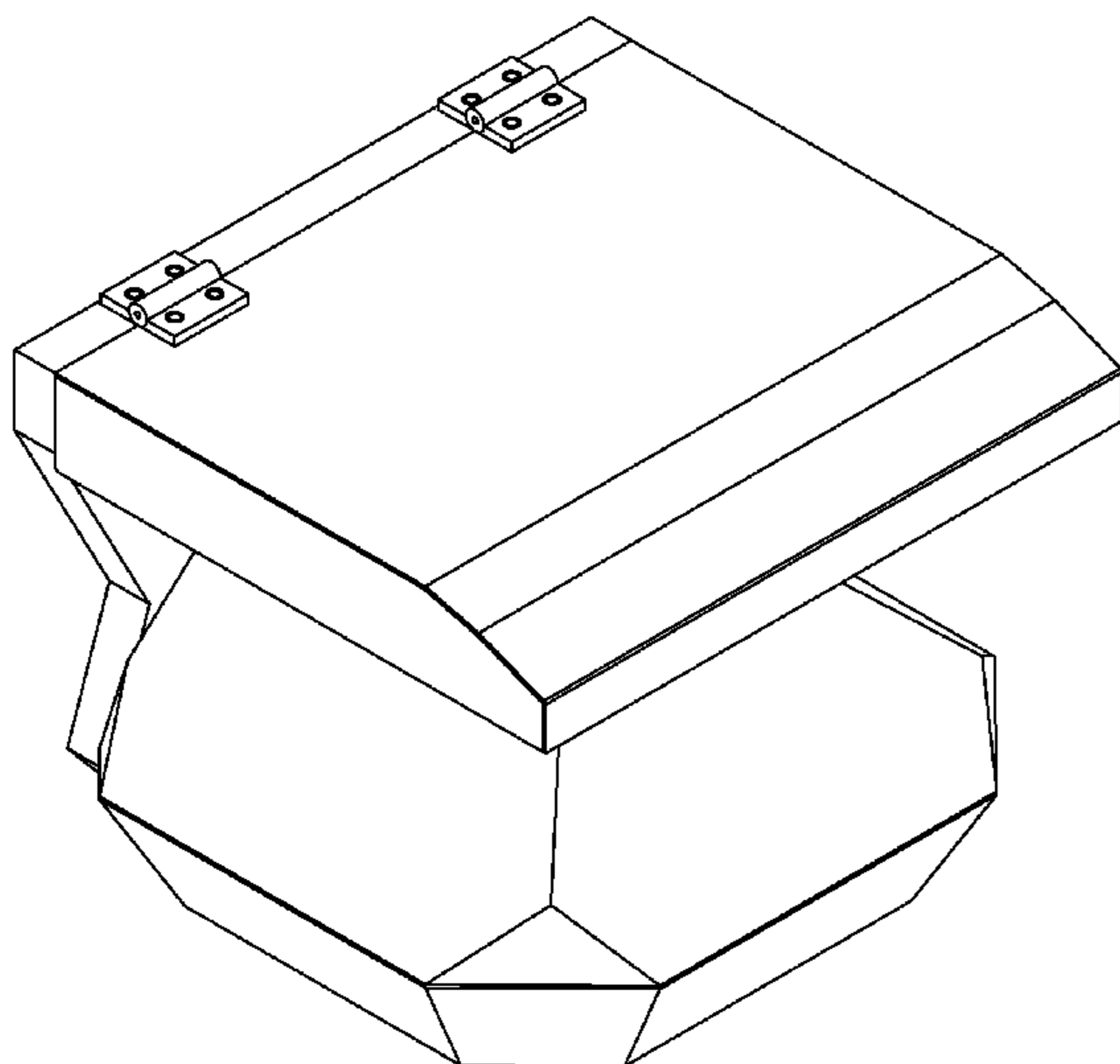
FIG. 6 is a right side view thereof;

FIG. 7 is a top view thereof; and,

FIG. 8 is a bottom view thereof.

Portions of the image device for projecting floating images in the air shown in broken lines in FIGS. 3, 4 and 8 form no part of the claimed design.

1 Claim, 8 Drawing Sheets



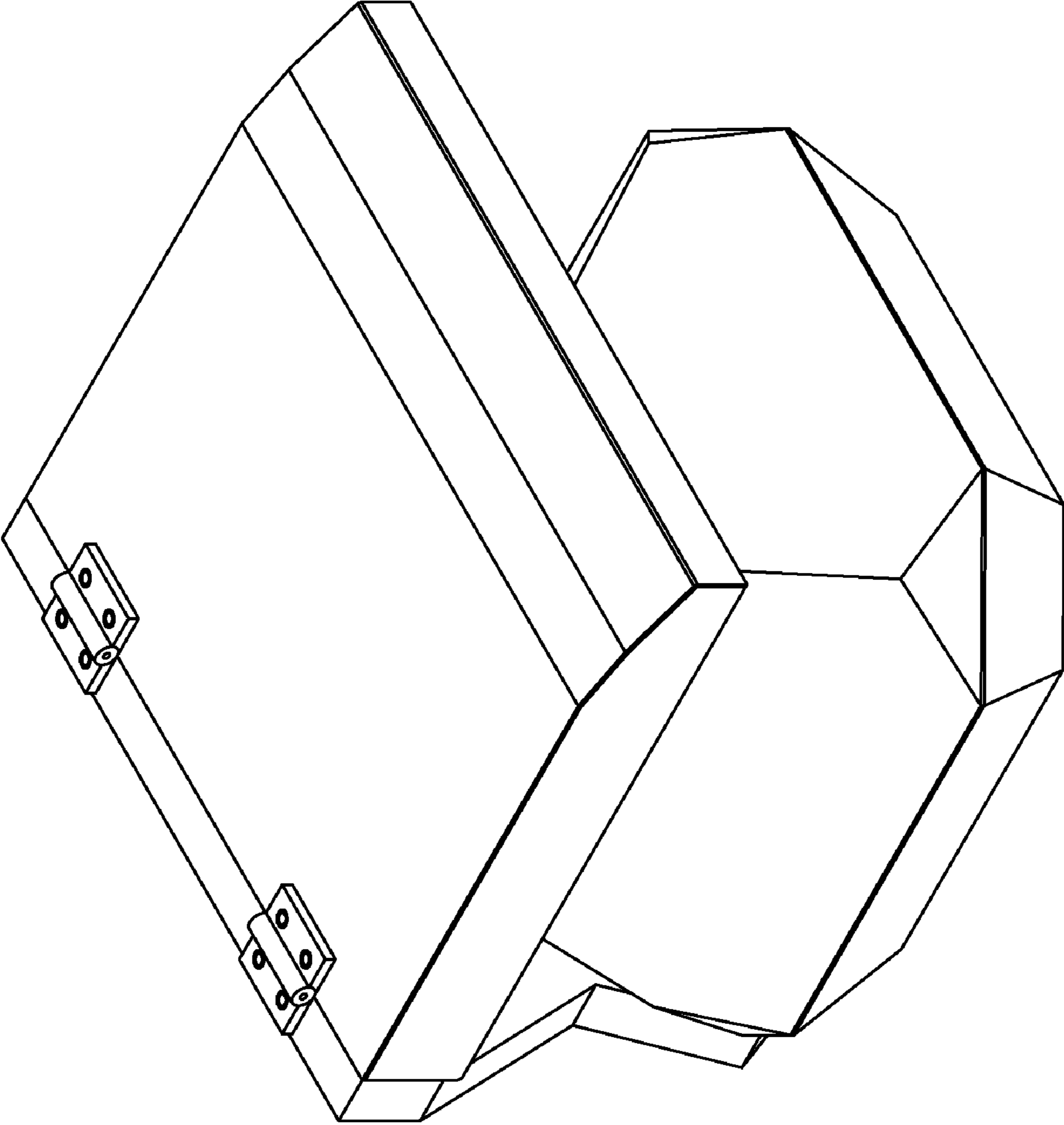


FIG. 1

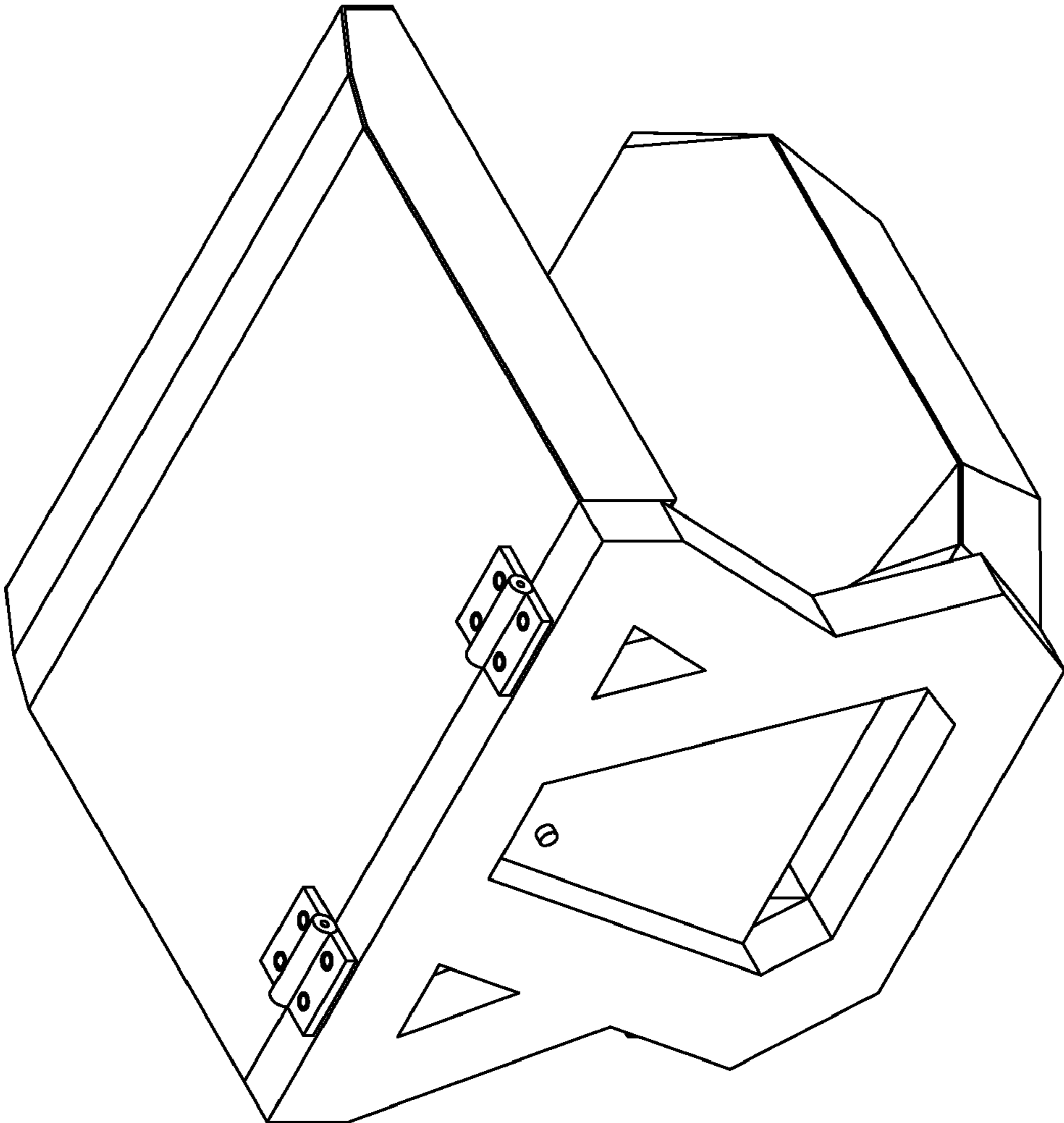


FIG. 2

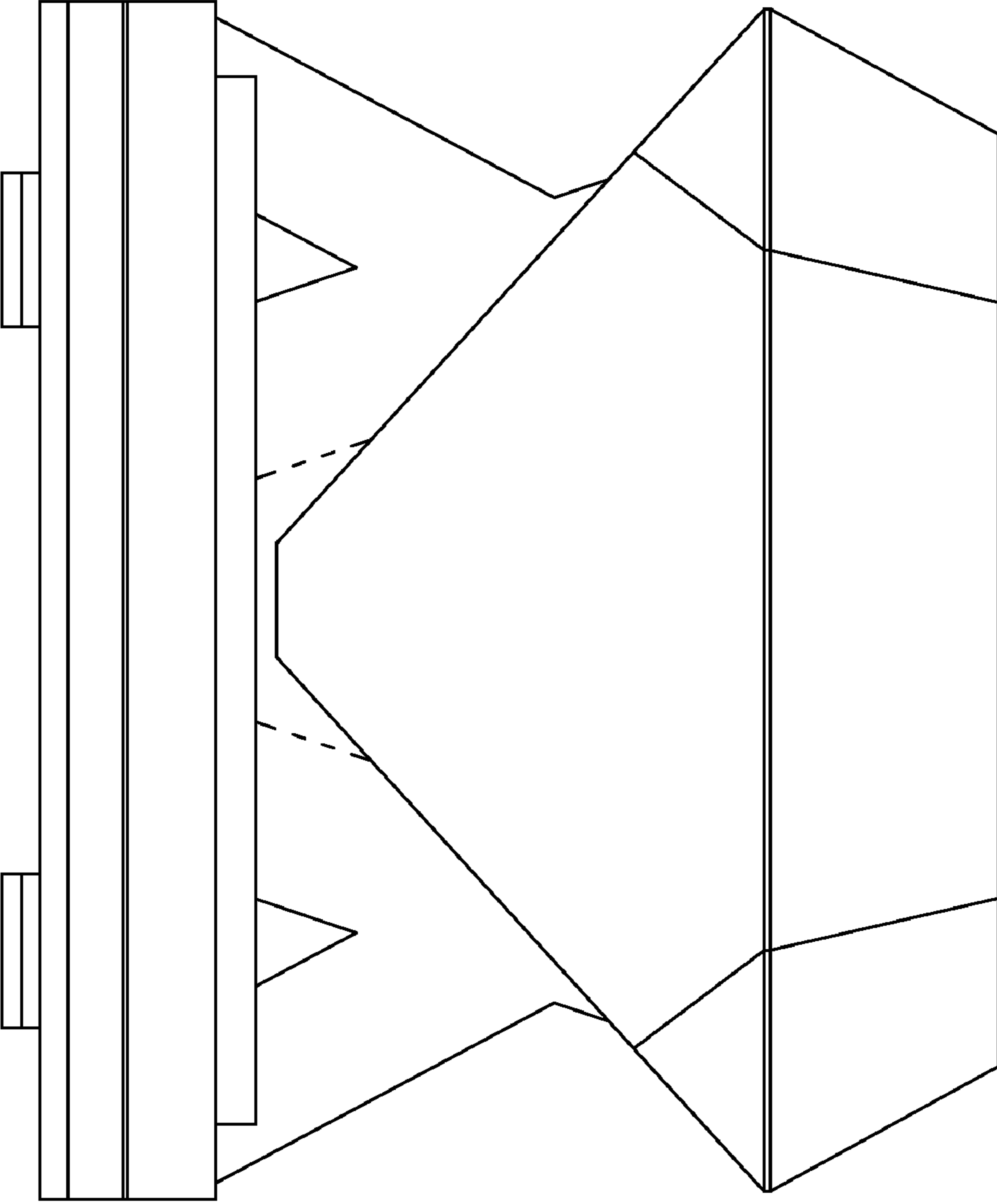


FIG. 3

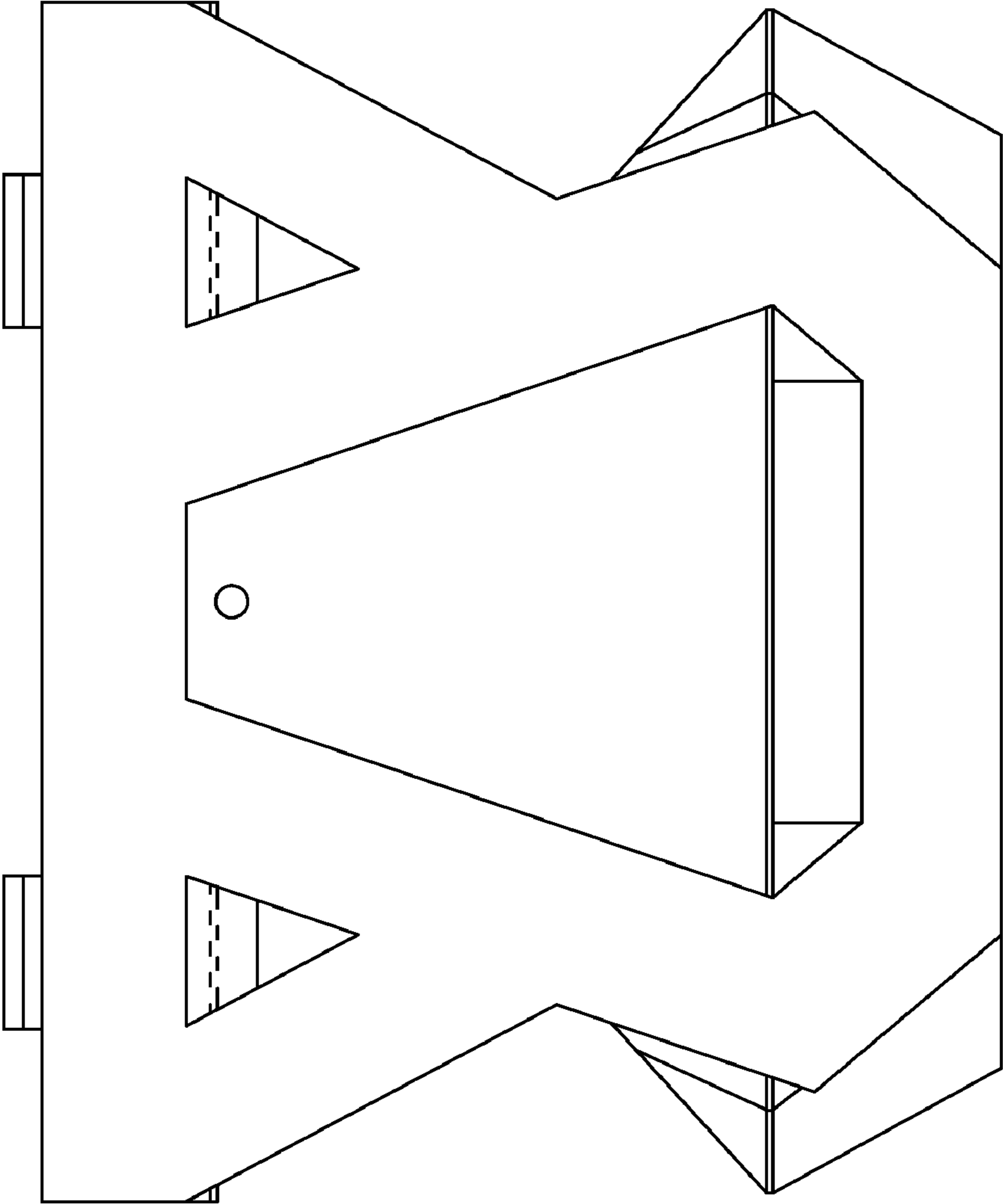


FIG. 4

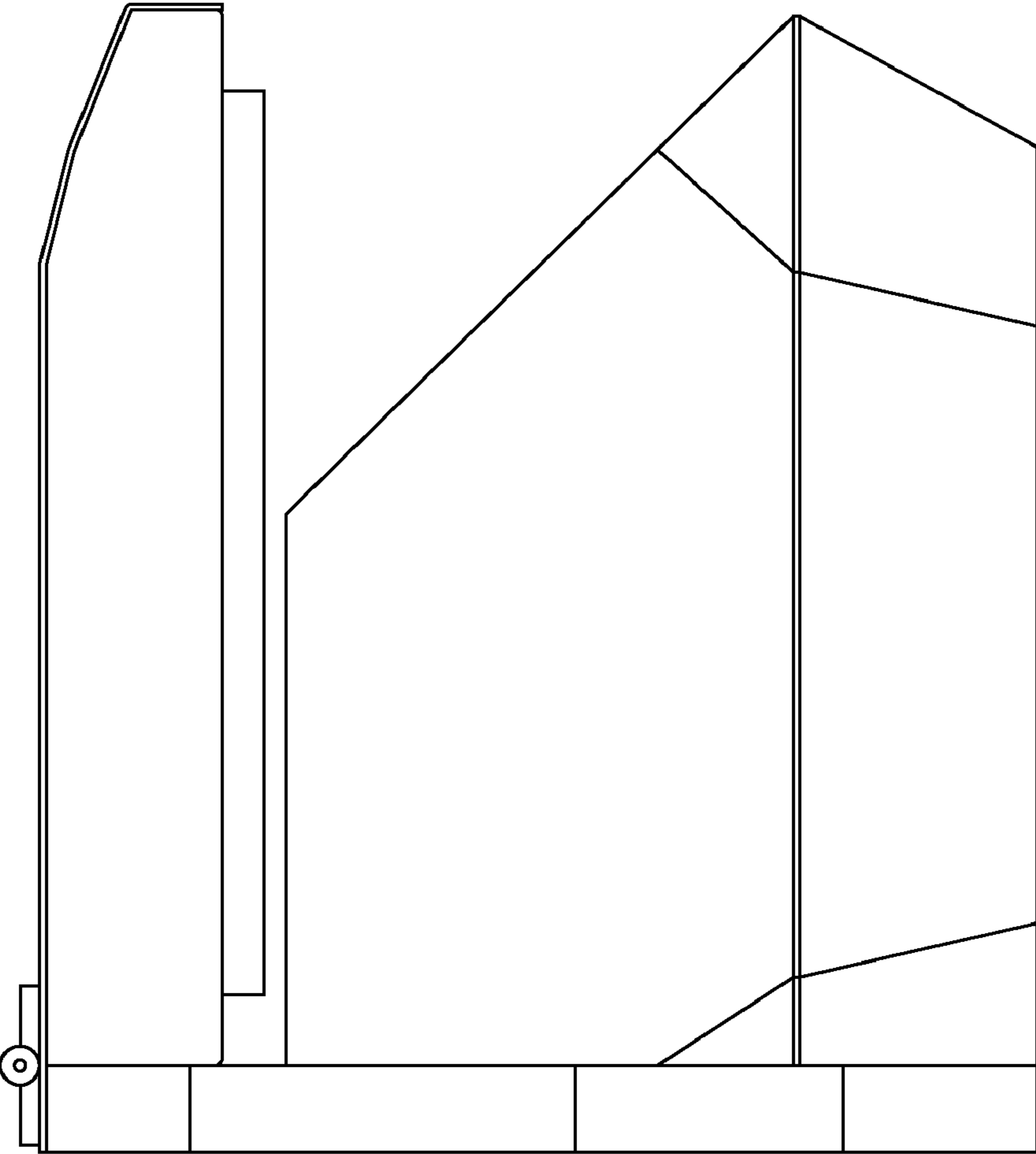


FIG. 5

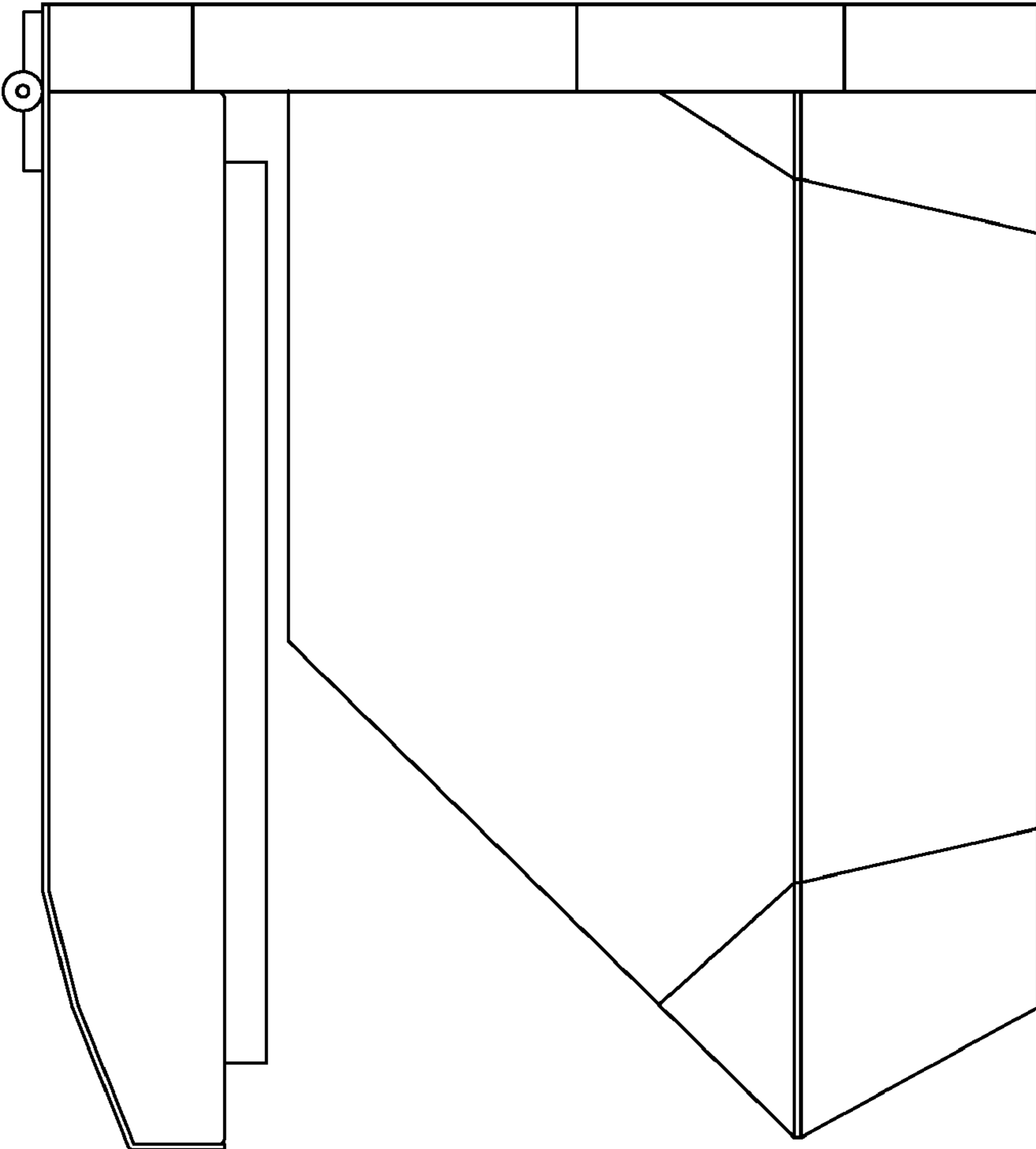


FIG. 6

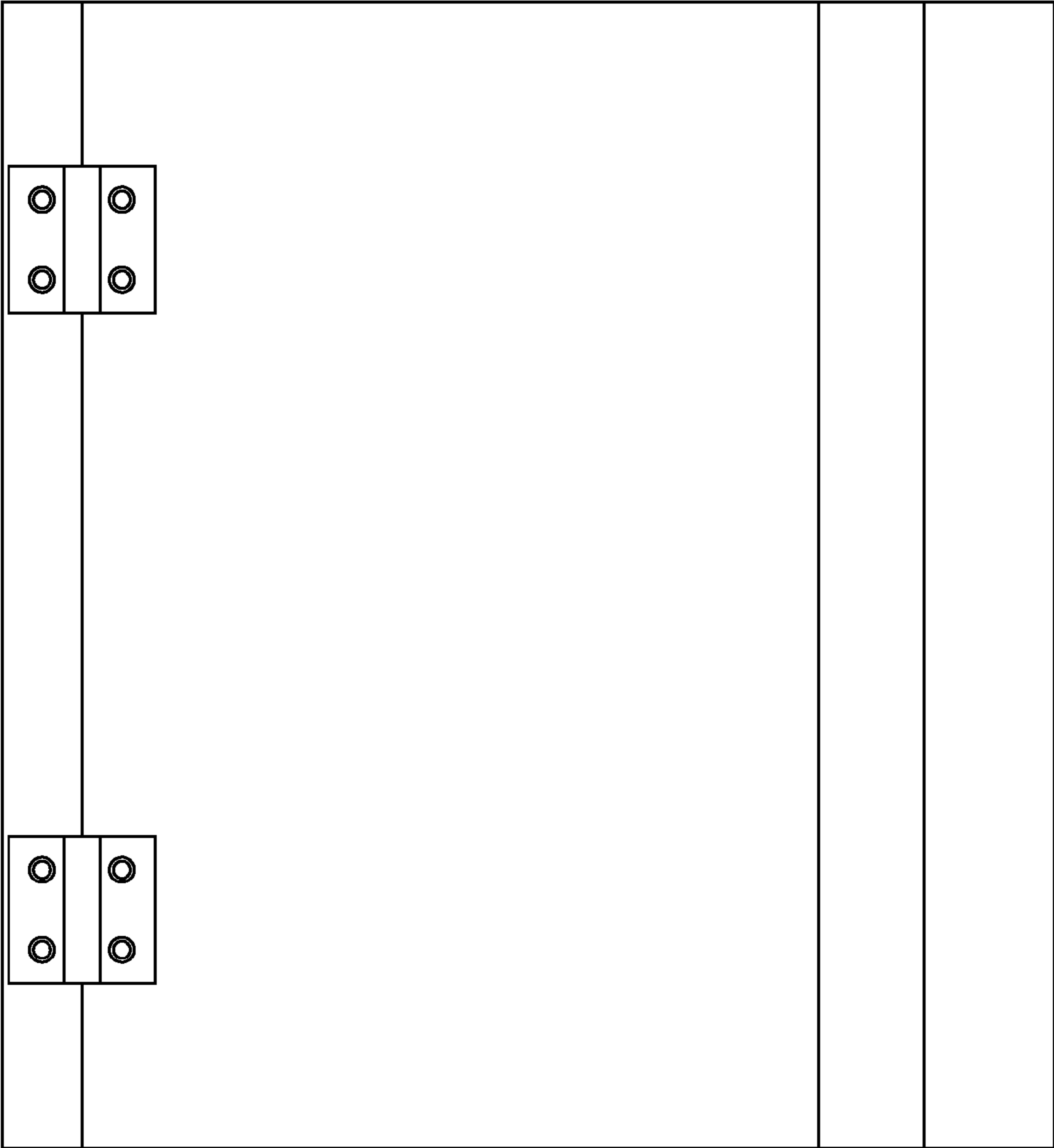


FIG. 7

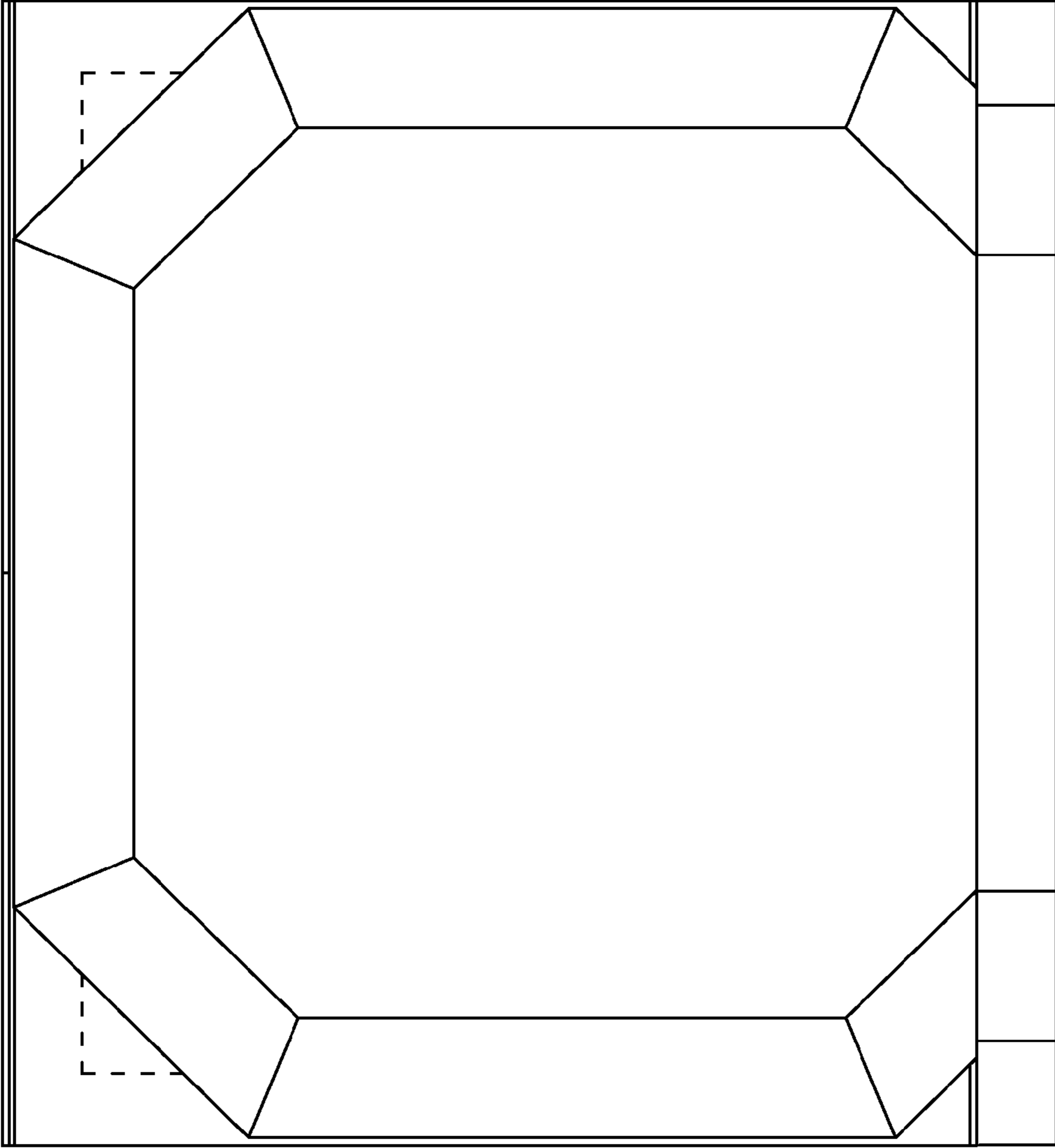


FIG. 8