

US00D662532S

(12) **United States Design Patent**
Chang

(10) **Patent No.:** **US D662,532 S**
(45) **Date of Patent:** **** Jun. 26, 2012**

(54) **WEBCAM**

(75) Inventor: **Gen-Yuan Chang**, New Taipei (TW)

(73) Assignee: **Cheng Uei Precision Industry Co., Ltd.**, New Taipei (TW)

(**) Term: **14 Years**

(21) Appl. No.: **29/401,298**

(22) Filed: **Sep. 9, 2011**

(51) **LOC (9) Cl.** **16-01**

(52) **U.S. Cl.** **D16/202**

(58) **Field of Classification Search** D16/200–205,
D16/218, 242; 248/187.1; 348/373–376;
396/428, 535–541

See application file for complete search history.

(56) **References Cited**

U.S. PATENT DOCUMENTS

D487,104 S * 2/2004 Obata D16/202
D600,730 S * 9/2009 Su D16/202
D629,031 S * 12/2010 Su et al. D16/202

D632,718 S * 2/2011 Tzeng D16/242
D641,388 S * 7/2011 Shih et al. D16/202
D654,942 S * 2/2012 Khamsepoor et al. D16/202

* cited by examiner

Primary Examiner — Adir Aronovich

(74) *Attorney, Agent, or Firm* — WPAT, P.C.; Anthony King

(57) **CLAIM**

The ornamental design for a webcam, as shown and described.

DESCRIPTION

FIG. 1 is front perspective view of a webcam showing my new design;

FIG. 2 is a front elevational view thereof;

FIG. 3 is a rear elevational view thereof;

FIG. 4 is a left side elevational view thereof;

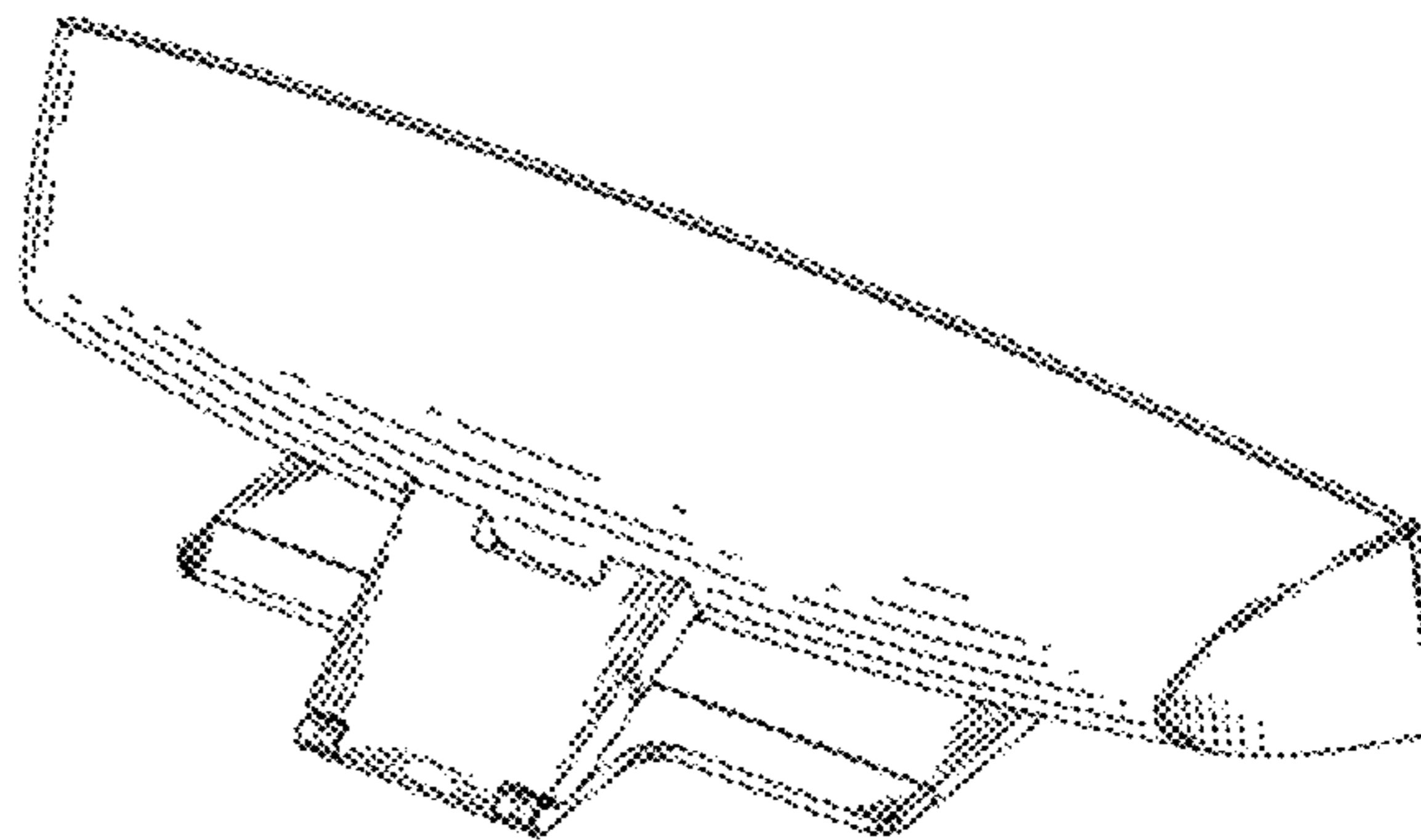
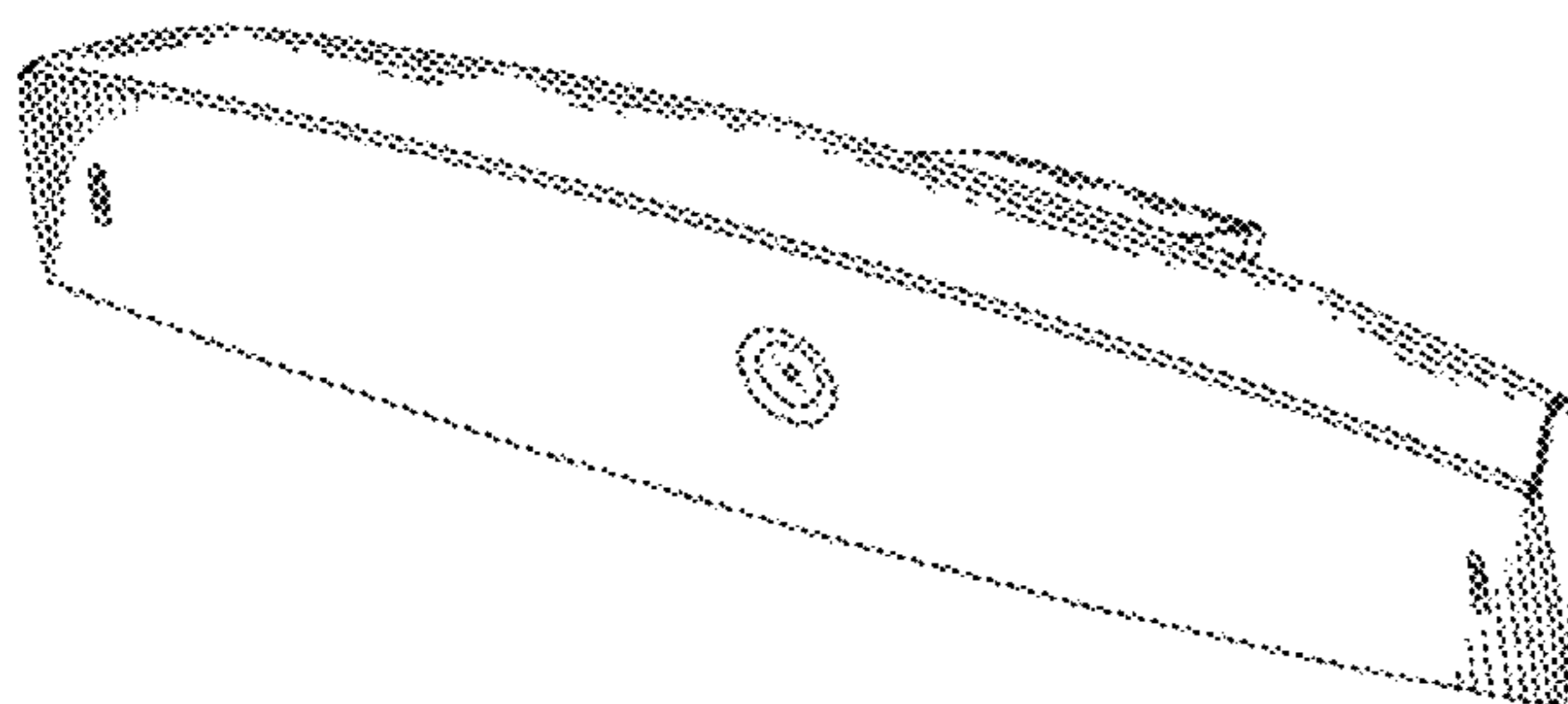
FIG. 5 is a right side elevational view thereof;

FIG. 6 is a top plan view thereof;

FIG. 7 is a bottom plan view thereof; and,

FIG. 8 is a rear perspective view thereof.

1 Claim, 8 Drawing Sheets



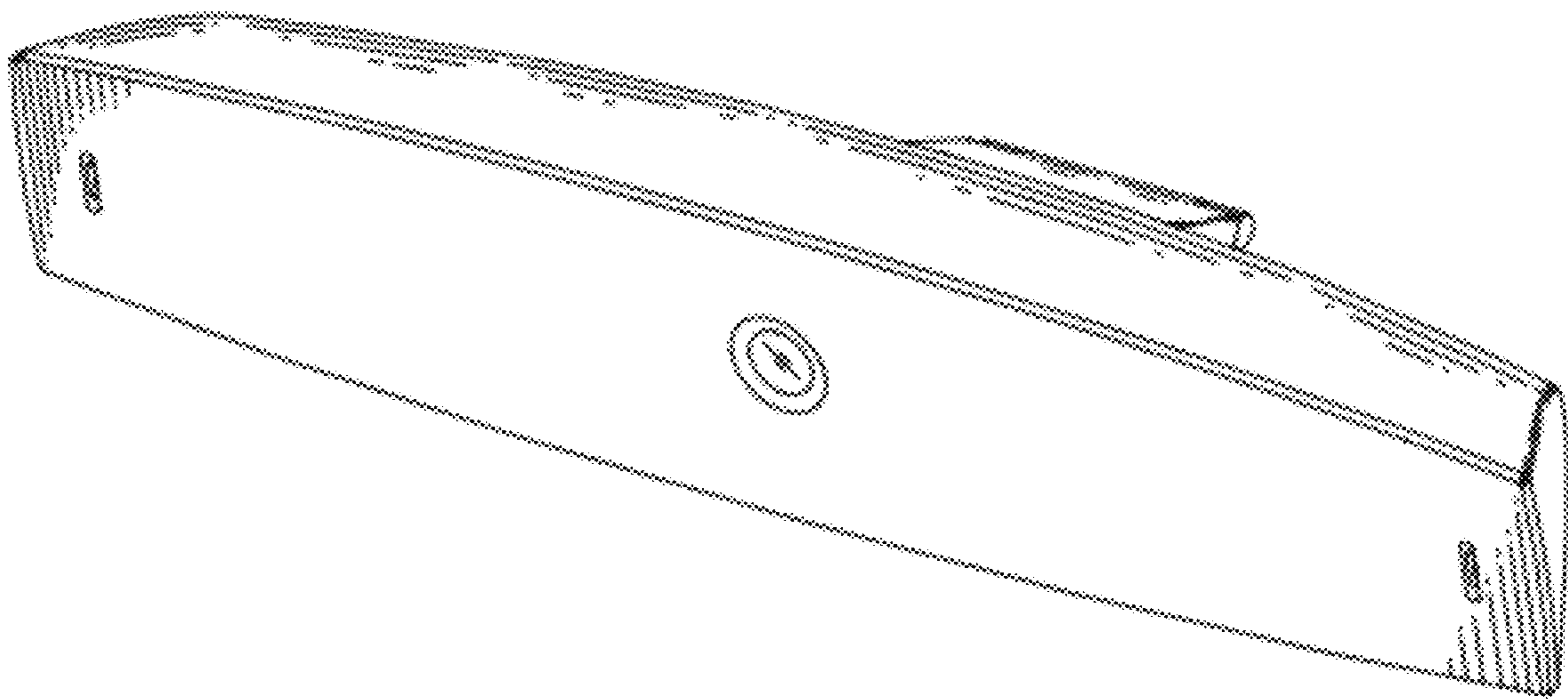


FIG. 1

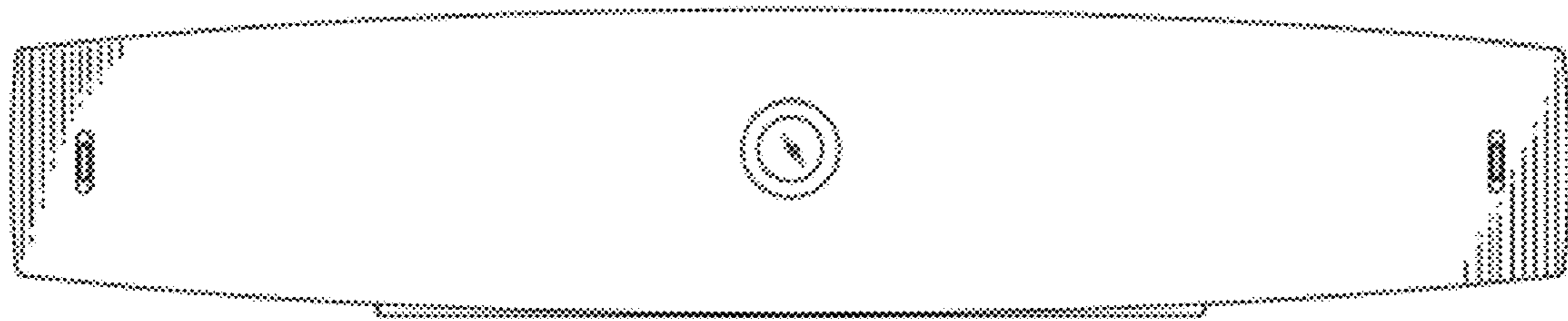


FIG. 2

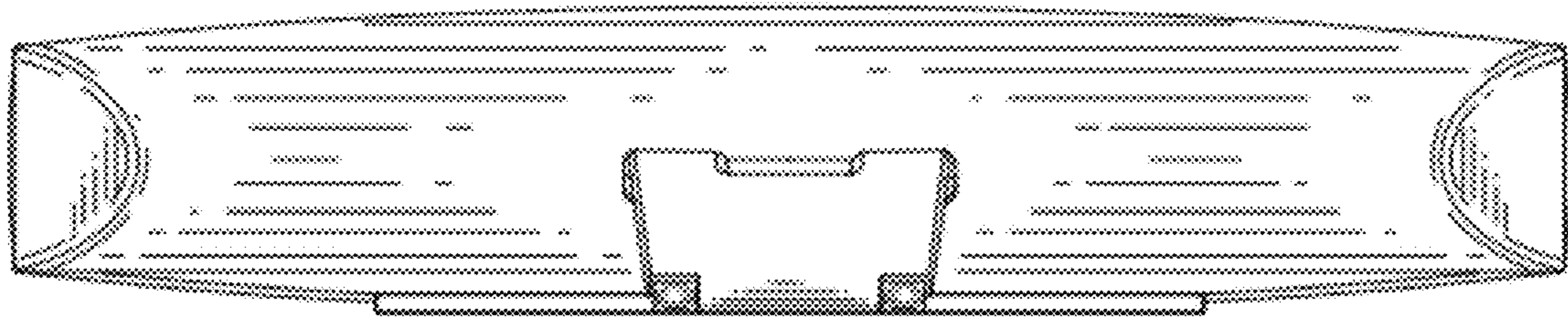


FIG. 3

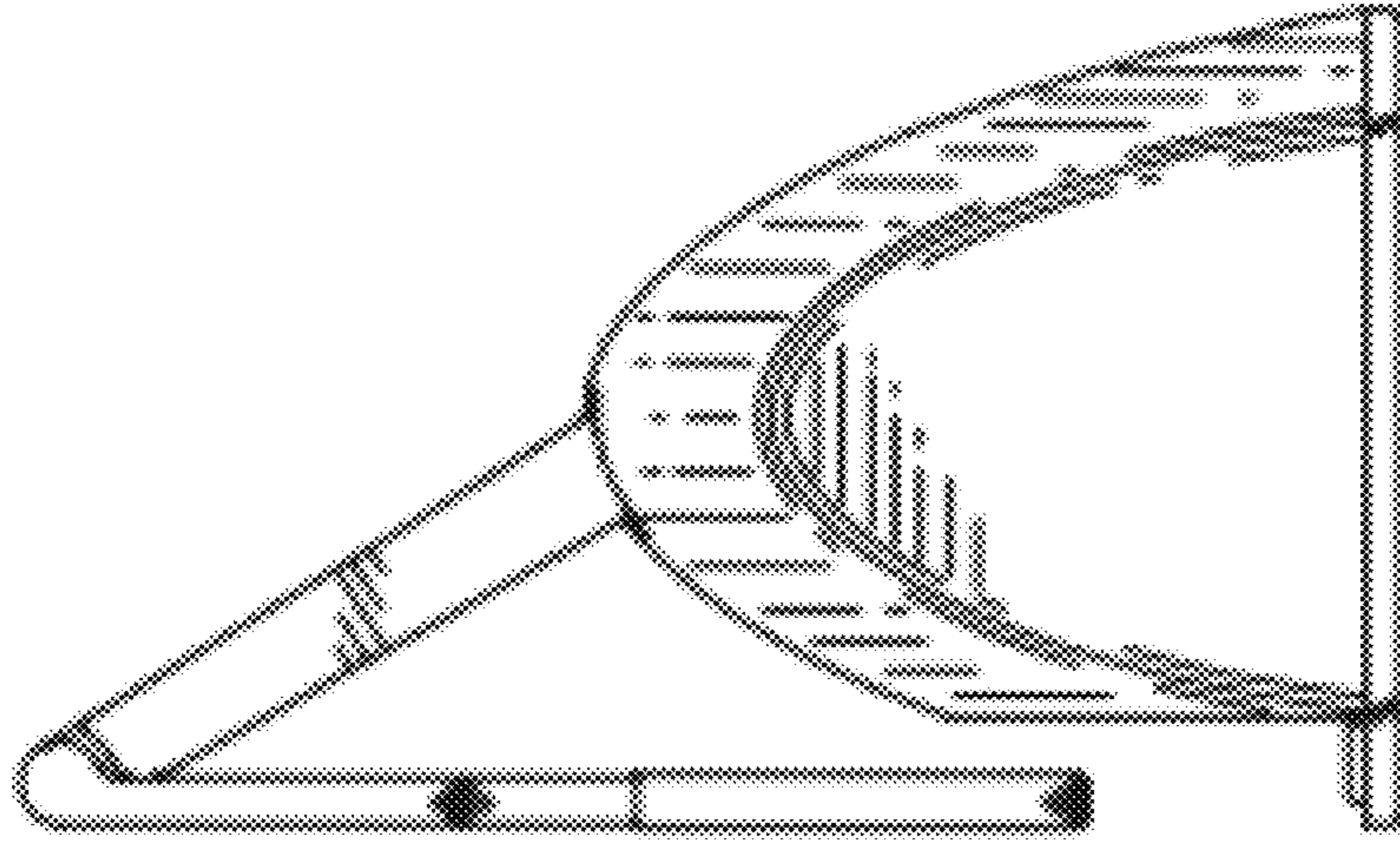


FIG. 4

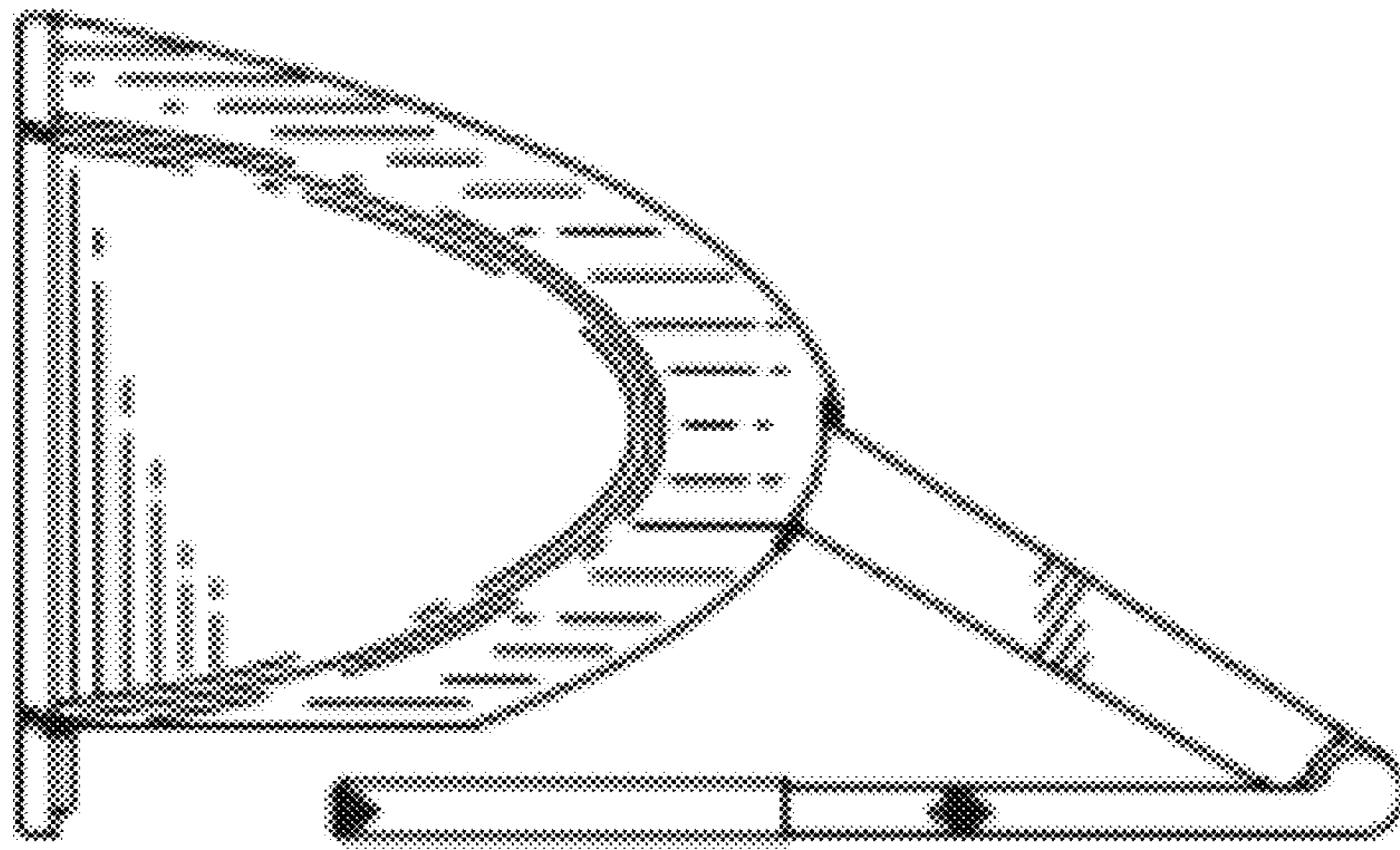


FIG. 5

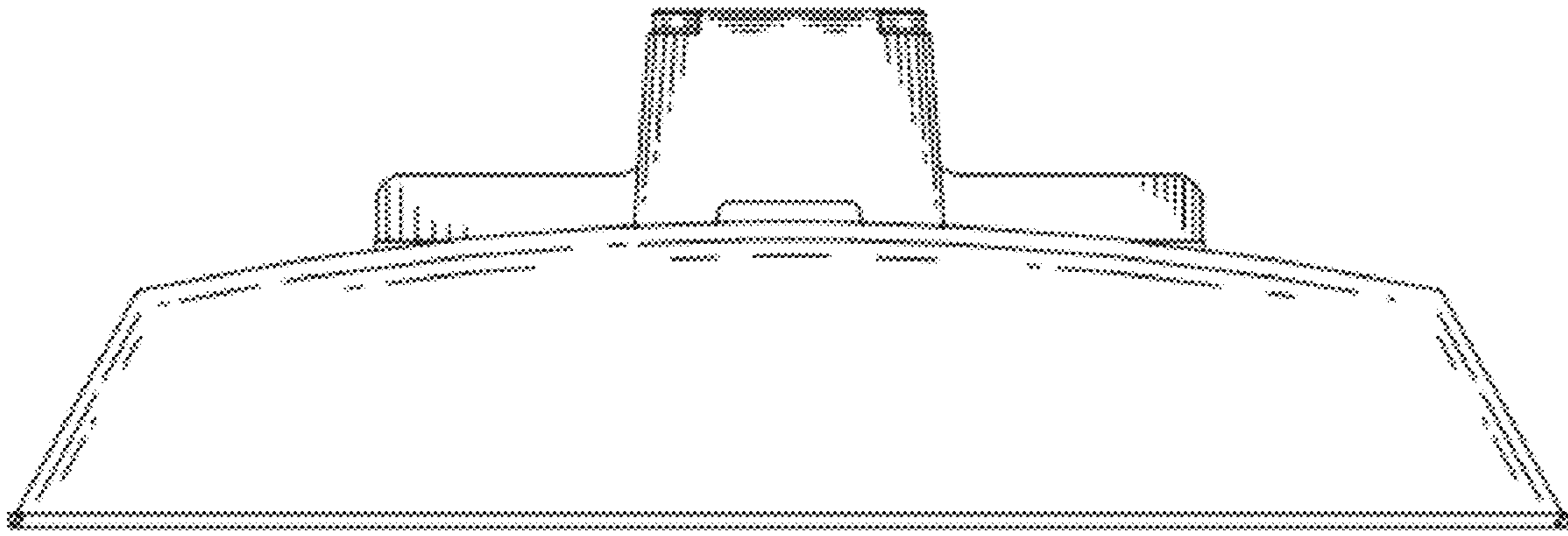


FIG. 6

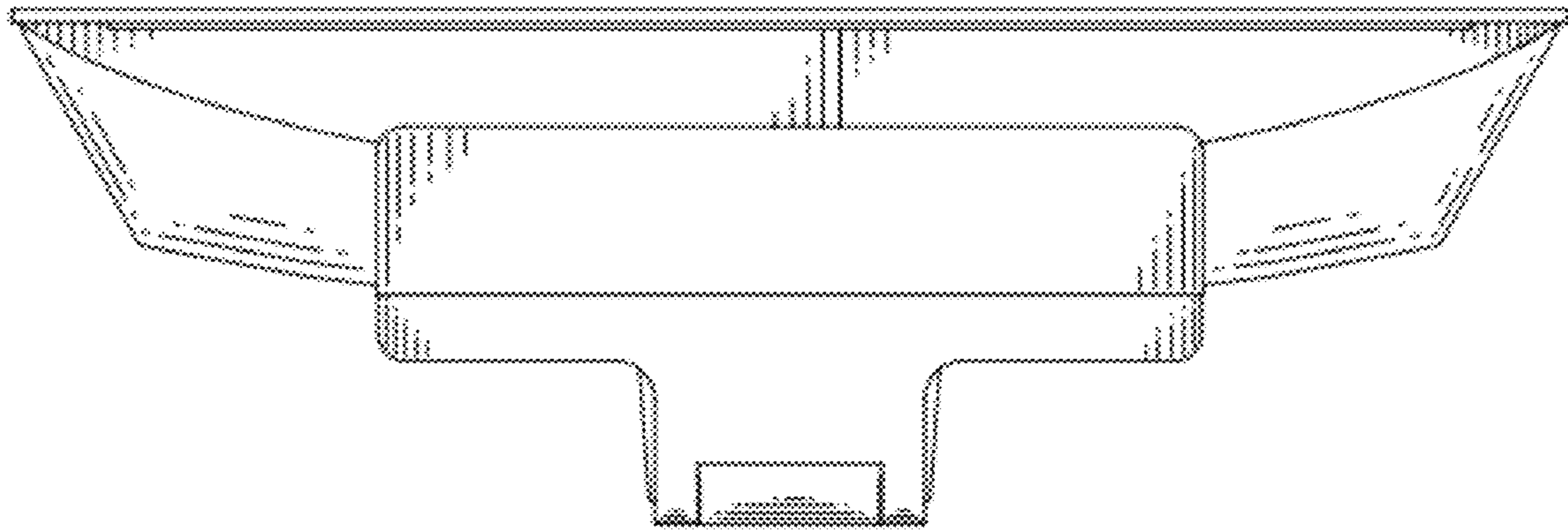


FIG. 7

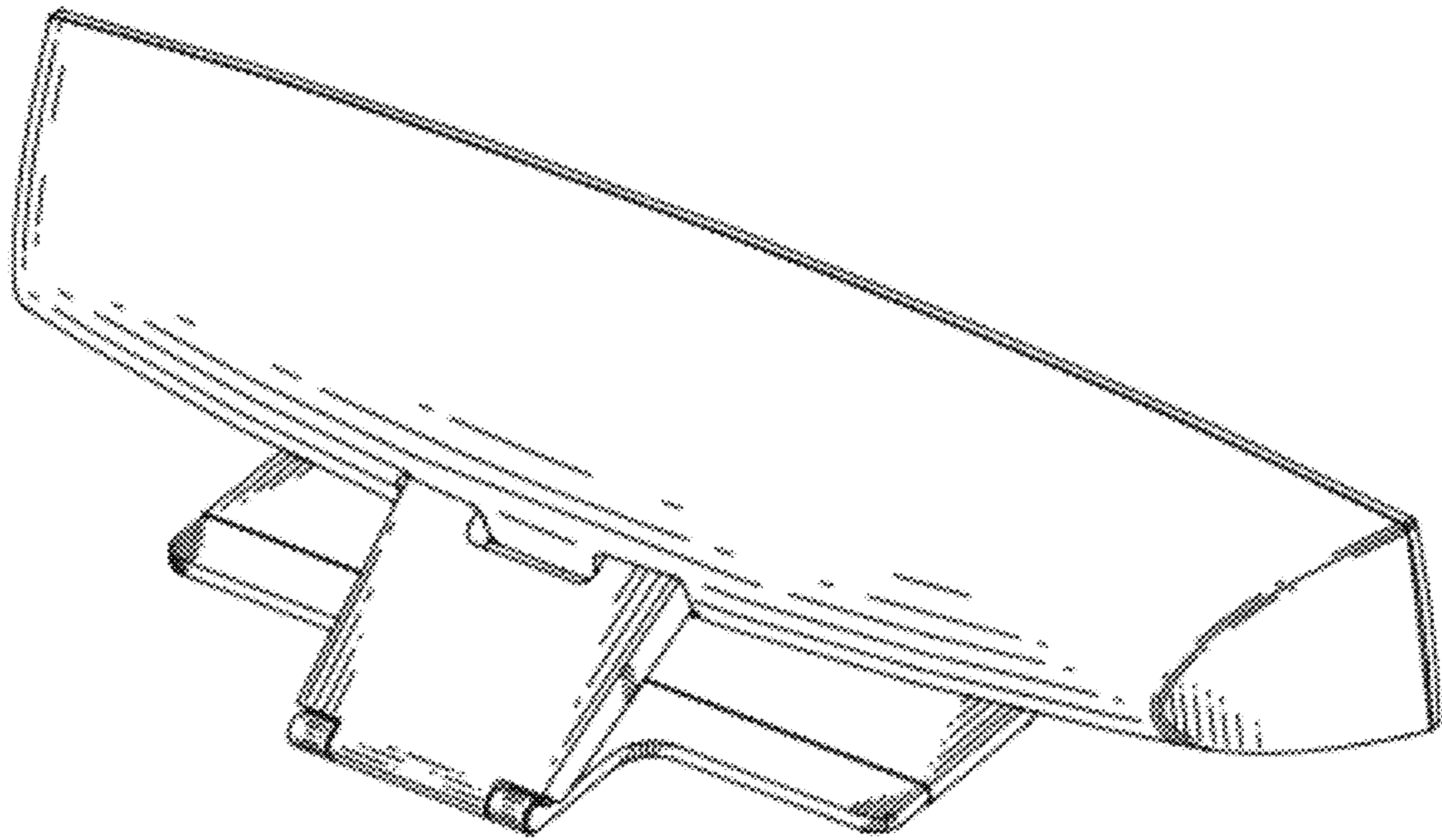


FIG. 8