



US00D662528S

(12) **United States Design Patent**
Brown

(10) **Patent No.:** **US D662,528 S**
(45) **Date of Patent:** **** Jun. 26, 2012**

(54) **EYELET SETTING DIE SET**

(76) Inventor: **Michael C. Brown**, Greensboro, NC
(US)

(**) Term: **14 Years**

(21) Appl. No.: **29/413,486**

(22) Filed: **Feb. 16, 2012**

(51) **LOC (9) Cl.** **15-09**

(52) **U.S. Cl.** **D15/136**

(58) **Field of Classification Search** D15/122,
D15/128; 8/34 B, 54, 243.53, 243, 407.09,
8/524.1, 525.06; 72/455; 227/51, 61, 62
See application file for complete search history.

(56) **References Cited**

U.S. PATENT DOCUMENTS

1,783,445	A *	12/1930	Olson et al.	29/34 B
1,808,041	A *	6/1931	Johnson, Jr. et al.	29/34 B
3,160,046	A *	12/1964	Bredow	83/130
3,268,960	A *	8/1966	Morton	164/257
3,747,193	A *	7/1973	Gregory	29/243.53
3,839,935	A *	10/1974	Daniels	83/104
D253,892	S *	1/1980	Humphreys	D15/128
4,364,256	A *	12/1982	Garlaschi	72/356
D274,186	S *	6/1984	Asai et al.	D15/122
4,545,232	A *	10/1985	Martin et al.	72/356
4,784,591	A *	11/1988	Ackermann	425/116
5,673,839	A *	10/1997	Howard et al.	227/119
6,421,900	B1 *	7/2002	Hunt	29/243.53
6,517,879	B2 *	2/2003	Capodieci	426/238
6,546,609	B1 *	4/2003	Lee et al.	29/243.53
6,564,611	B2 *	5/2003	Harrington et al.	72/481.2
6,964,094	B2 *	11/2005	Kondo	29/798
7,509,721	B1 *	3/2009	Liang	29/243.53
D632,318	S *	2/2011	Sindlinger	D15/128
2001/0039713	A1 *	11/2001	Speller, Jr. et al.	29/525.06

2003/0121133	A1 *	7/2003	Yagawa	29/243.53
2005/0050706	A1 *	3/2005	Motzno	29/426.5
2006/0053643	A1 *	3/2006	Adrian	33/286
2006/0090320	A1 *	5/2006	Matthews et al.	29/407.09
2008/0178454	A1 *	7/2008	Morris et al.	29/432.2
2011/0126396	A1 *	6/2011	Clarke et al.	29/525.06

* cited by examiner

Primary Examiner — Patricia Palasik

(74) *Attorney, Agent, or Firm* — Walter L. Beavers; Blake P. Hart

(57) **CLAIM**

The ornamental design for an eyelet setting die set, as shown and described.

DESCRIPTION

FIG. 1 is a perspective view of an eyelet setting die set showing my new design;

FIG. 2 is a top plan view thereof, with the bottom plan view, the front elevational view and the rear elevational view all being a mirror image thereof;

FIG. 3 is an end plan view thereof as along lines 3-3 of FIG. 2;

FIG. 4 is an end plan view thereof as along lines 4-4 of FIG. 2;

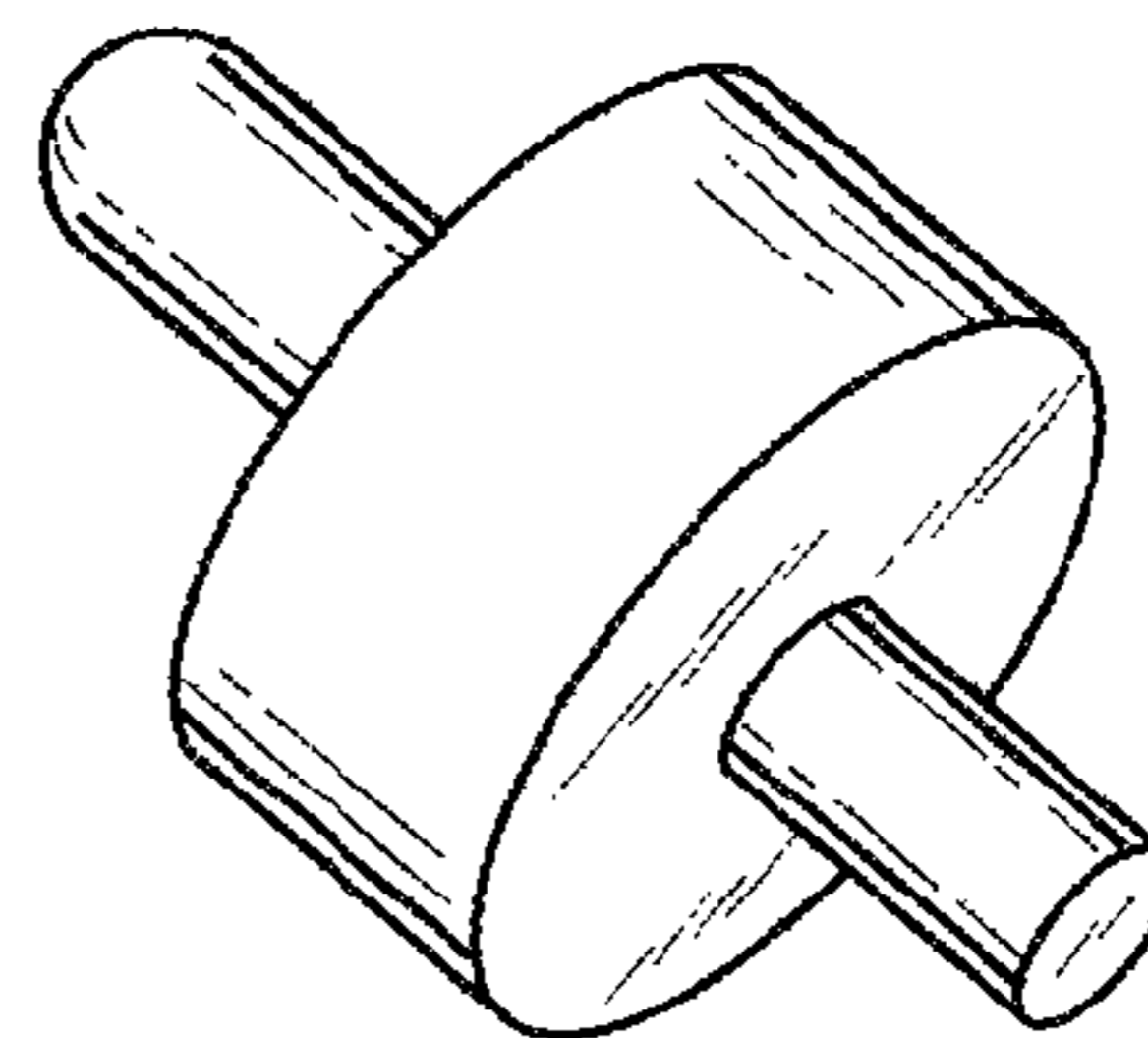
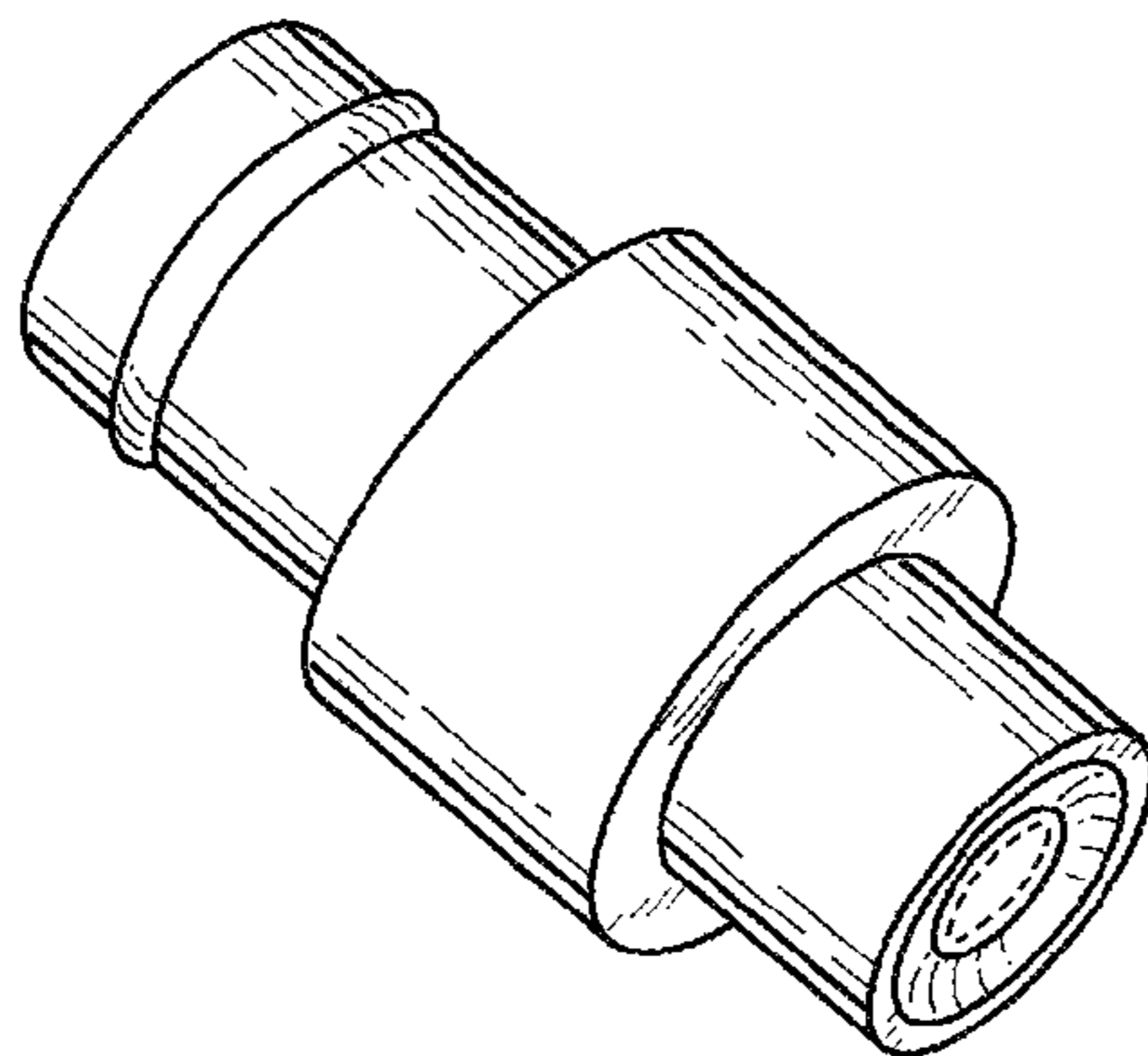
FIG. 5 is an end plan view thereof as along lines 5-5 of FIG. 2;

FIG. 6 is an end plan view thereof as along lines 6-6 of FIG. 2; and,

FIG. 7 shows the eyelet setting die set of the invention in a typical manual press shown in dashed lines for the purpose of illustrating environment which forms no part of the claimed design.

The broken lines in the drawings depict unclaimed environmental subject matter.

1 Claim, 2 Drawing Sheets



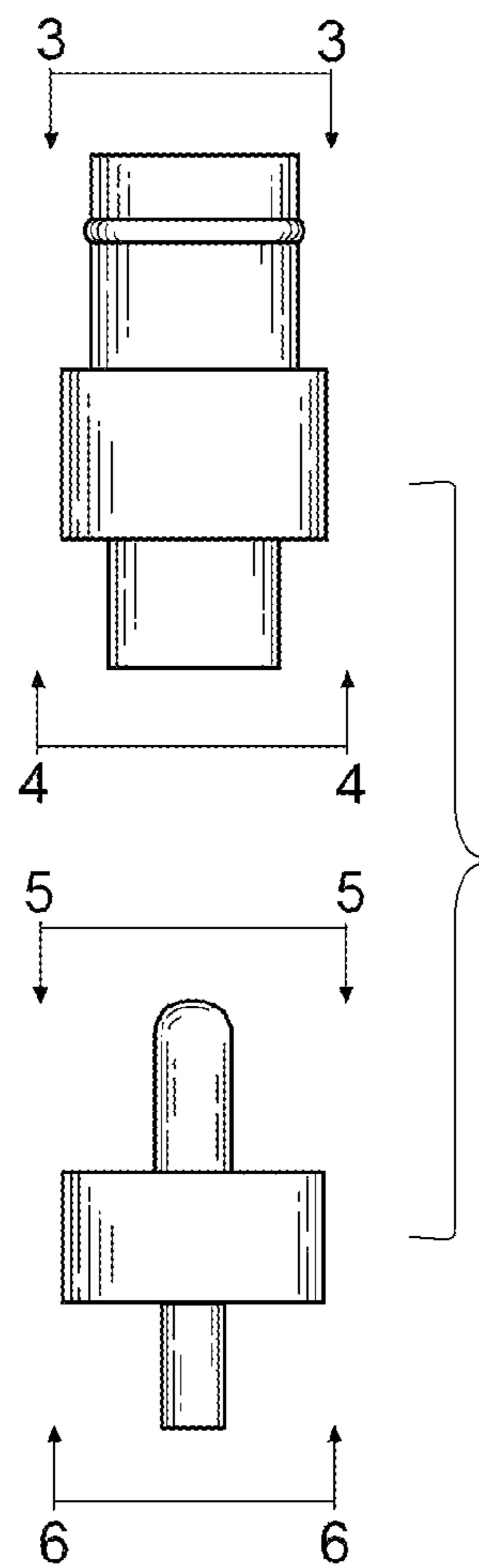
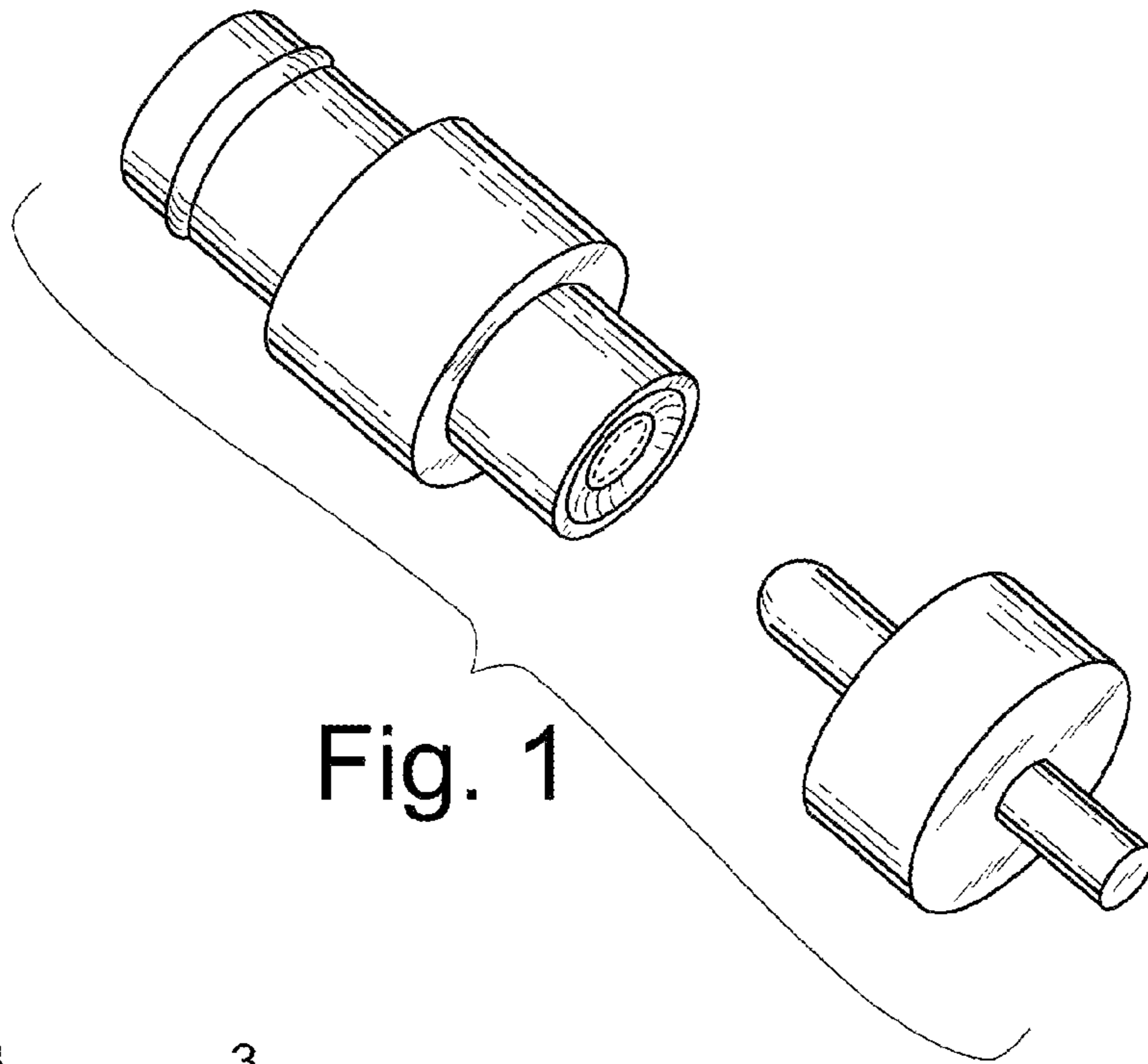


Fig. 2

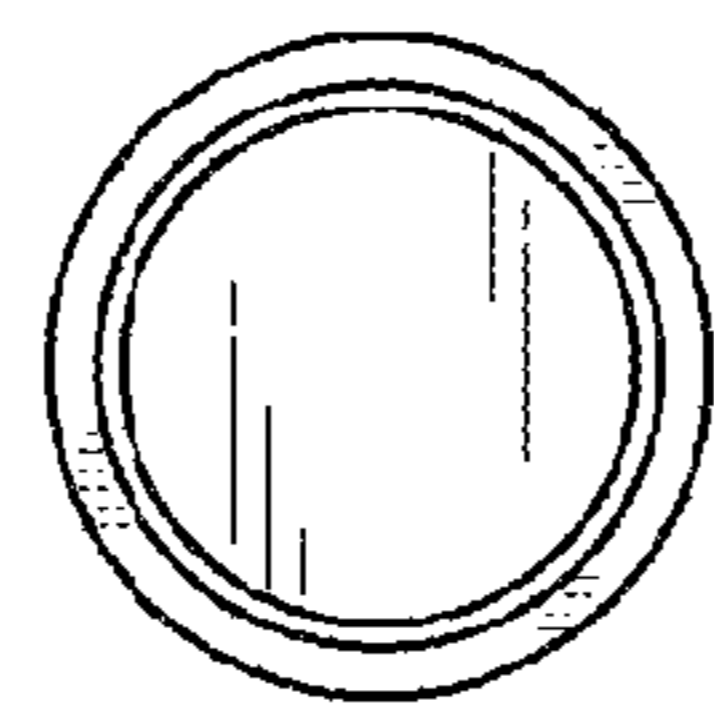


Fig. 3

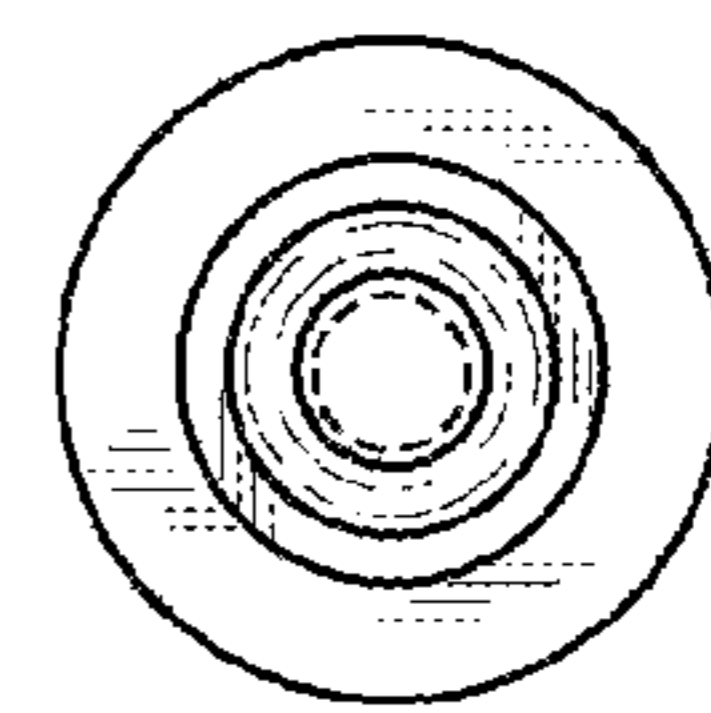


Fig. 4

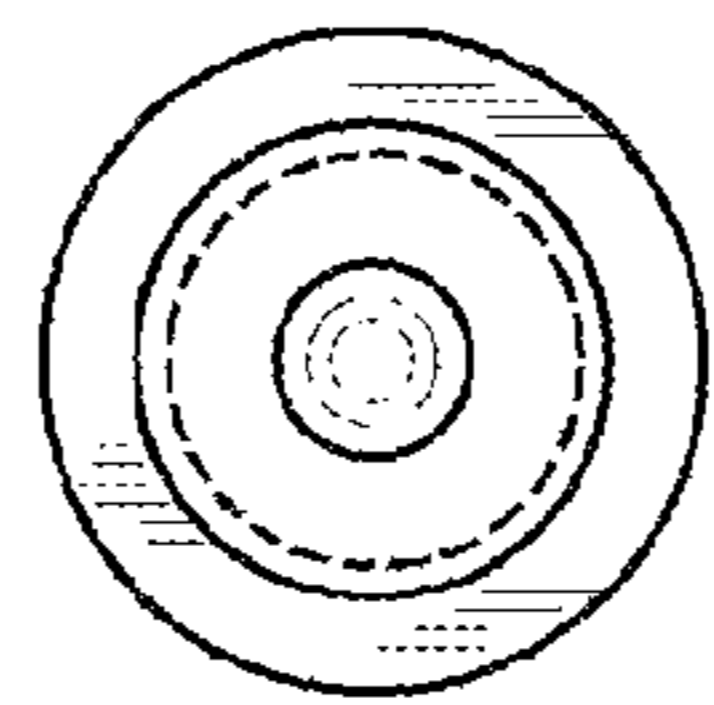


Fig. 5

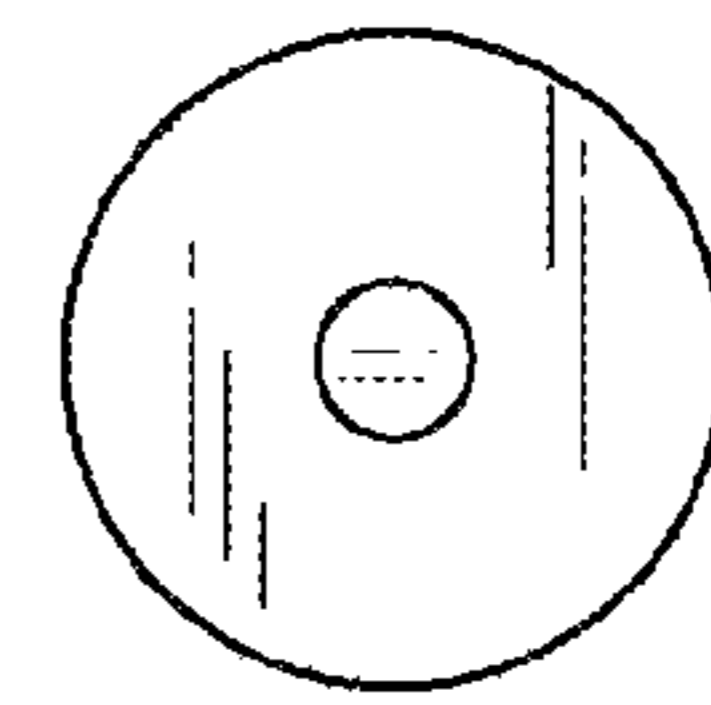


Fig. 6

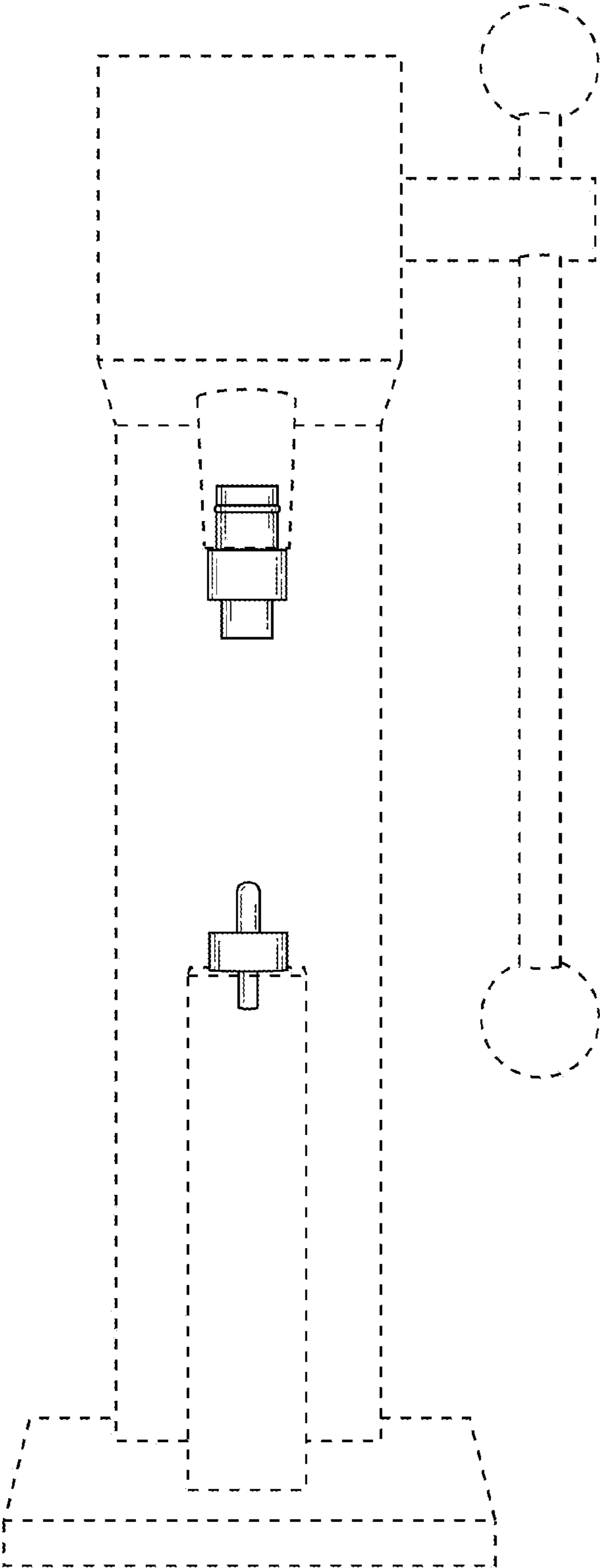


Fig. 7