



US00D662524S

(12) **United States Design Patent**  
**Crookes et al.**

(10) **Patent No.:** **US D662,524 S**

(45) **Date of Patent:** **\*\* Jun. 26, 2012**

(54) **TRACTOR GRILL**

(75) Inventors: **William Edward Crookes**, Ann Arbor, MI (US); **Bengt Ake Nestell**, Pottstown, PA (US)

(73) Assignee: **Deere & Company**, Moline, IL (US)

(\*\*) Term: **14 Years**

(21) Appl. No.: **29/129,465**

(22) Filed: **Sep. 14, 2000**

(51) **LOC (9) Cl.** ..... **15-03**

(52) **U.S. Cl.** ..... **D15/31**

(58) **Field of Classification Search** ..... D15/10, D15/11, 28, 22-26, 30, 31, 33; D12/163, D12/166, 170-172; 180/89.1, 89.12, 900, 180/68.4, 69.2; 293/115

See application file for complete search history.

(56) **References Cited**

U.S. PATENT DOCUMENTS

D216,876 S *	3/1970	Gale et al. ....	D15/31
D216,877 S *	3/1970	Gale et al. ....	D15/31
D224,651 S *	8/1972	Lorenz et al. ....	D15/31
D227,094 S *	6/1973	Skyer et al. ....	D15/31
D230,876 S *	3/1974	Lorenz et al. ....	D15/31
D294,707 S *	3/1988	Cameron ....	D15/31
D310,374 S *	9/1990	Westimayer et al. ....	D15/15
D327,276 S *	6/1992	Sorensen ....	D15/31

D352,723 S *	11/1994	DeBraul et al. ....	D15/31
D365,578 S *	12/1995	Westimayer et al. ....	D15/31
D382,279 S *	8/1997	Goebert et al. ....	D15/31
D401,945 S *	12/1998	Cunningham et al. ....	D15/31
D406,594 S *	3/1999	Miller et al. ....	D15/31
D411,210 S *	6/1999	Goebert et al. ....	D15/31
D412,712 S *	8/1999	Miller et al. ....	D15/31
D419,164 S *	1/2000	Heiler et al. ....	D15/31

\* cited by examiner

*Primary Examiner* — Mark Goodwin

(57) **CLAIM**

The ornamental design for a tractor grill design, as shown and described.

**DESCRIPTION**

FIG. 1 is a side view of a tractor grill showing our new design shown mounted on a tractor.

FIG. 2 is an elevated side perspective view of the tractor grill design of FIG. 1.

FIG. 3 is a left side view of the tractor grill design of FIG. 1

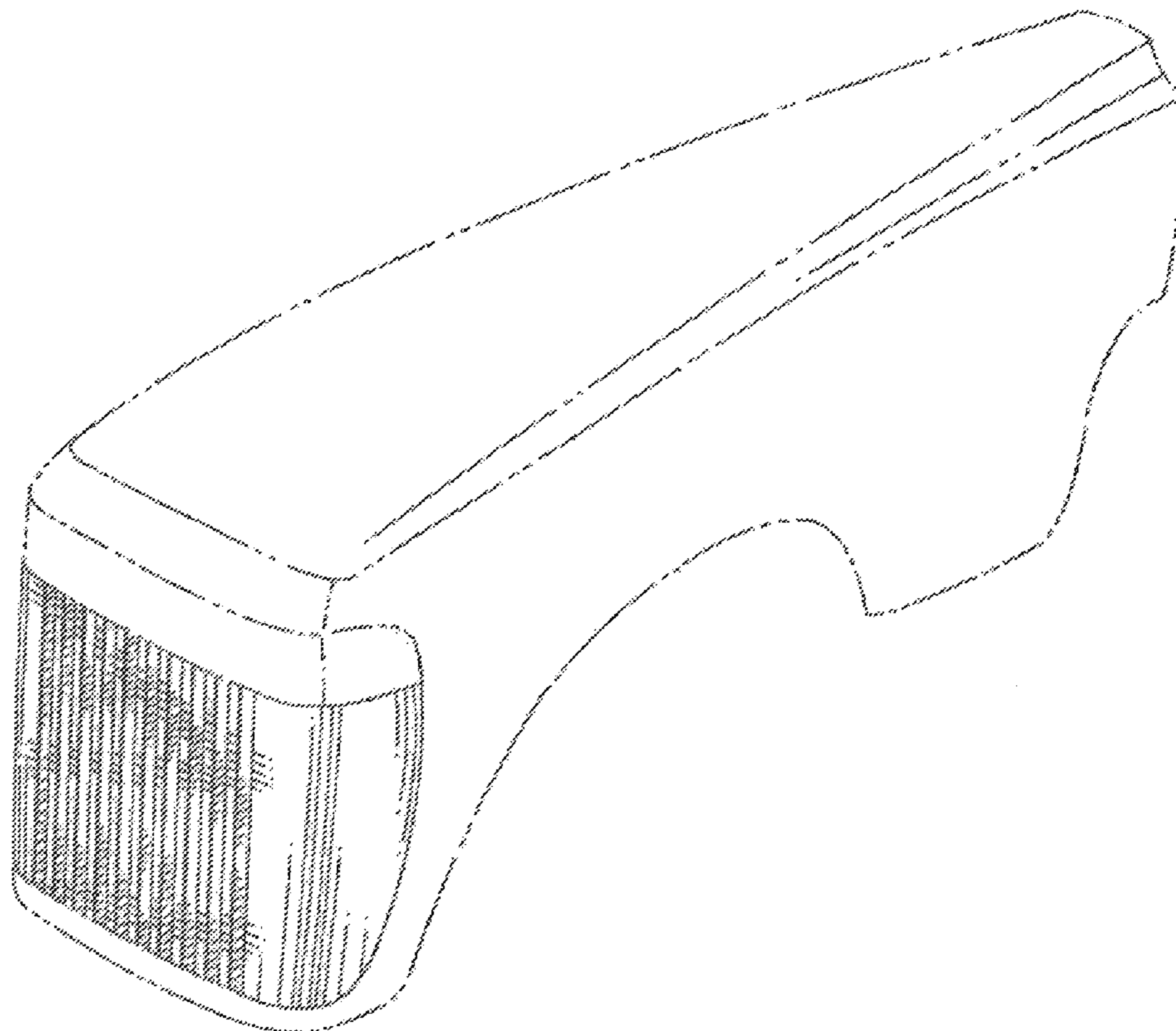
FIG. 4 is a front view of the tractor grill design of FIG. 1.

FIG. 5 is a right side view of the tractor grill design of FIG. 1; and,

FIG. 6 is a top view of the tractor grill design of FIG. 1.

The broken line showing of a tractor In FIG. 1 and a tractor hood in FIG. 2 is included for the purpose of illustrating environmental structure only and forms no part of the claimed design.

**1 Claim, 3 Drawing Sheets**



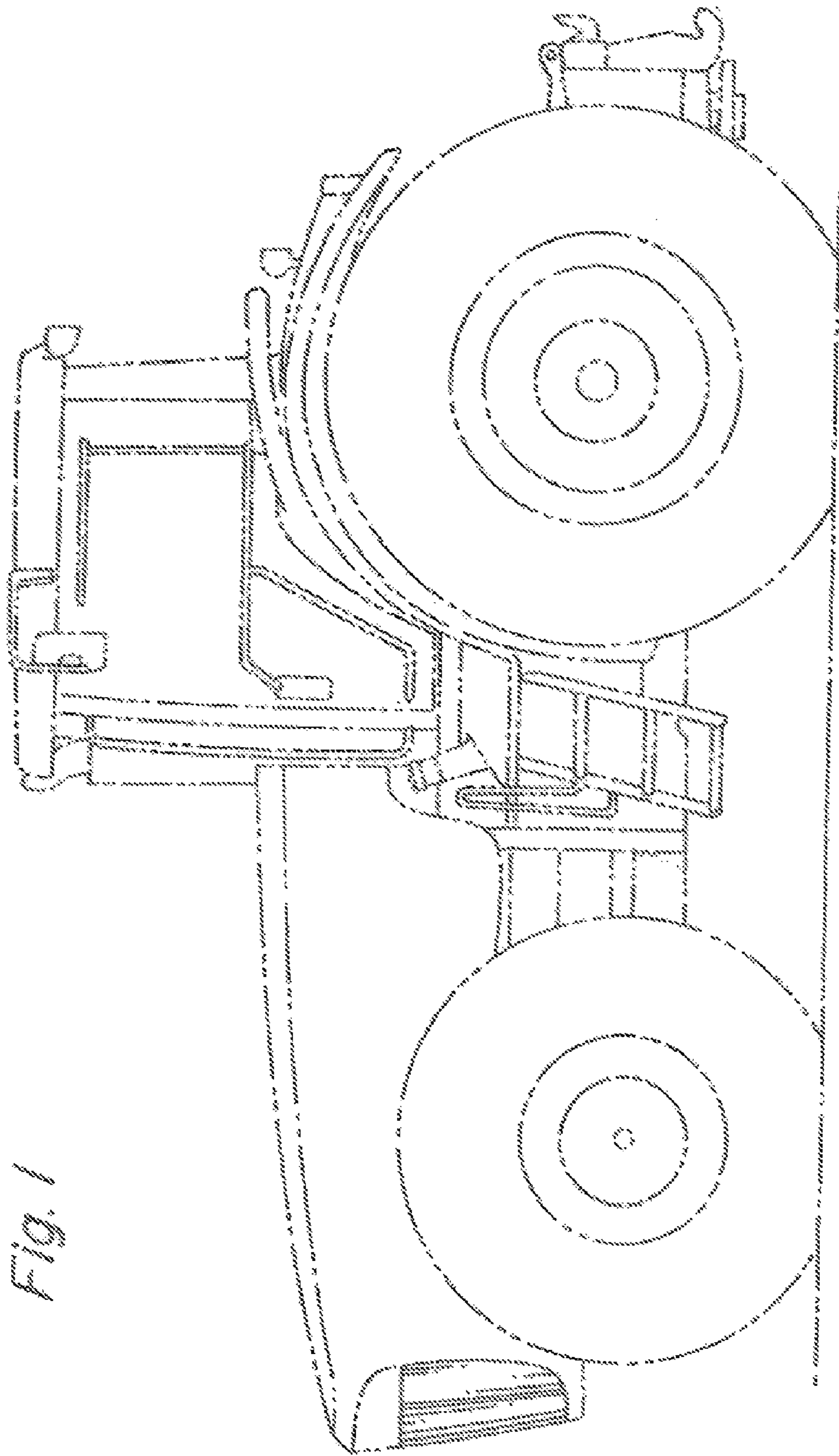


FIG. 1

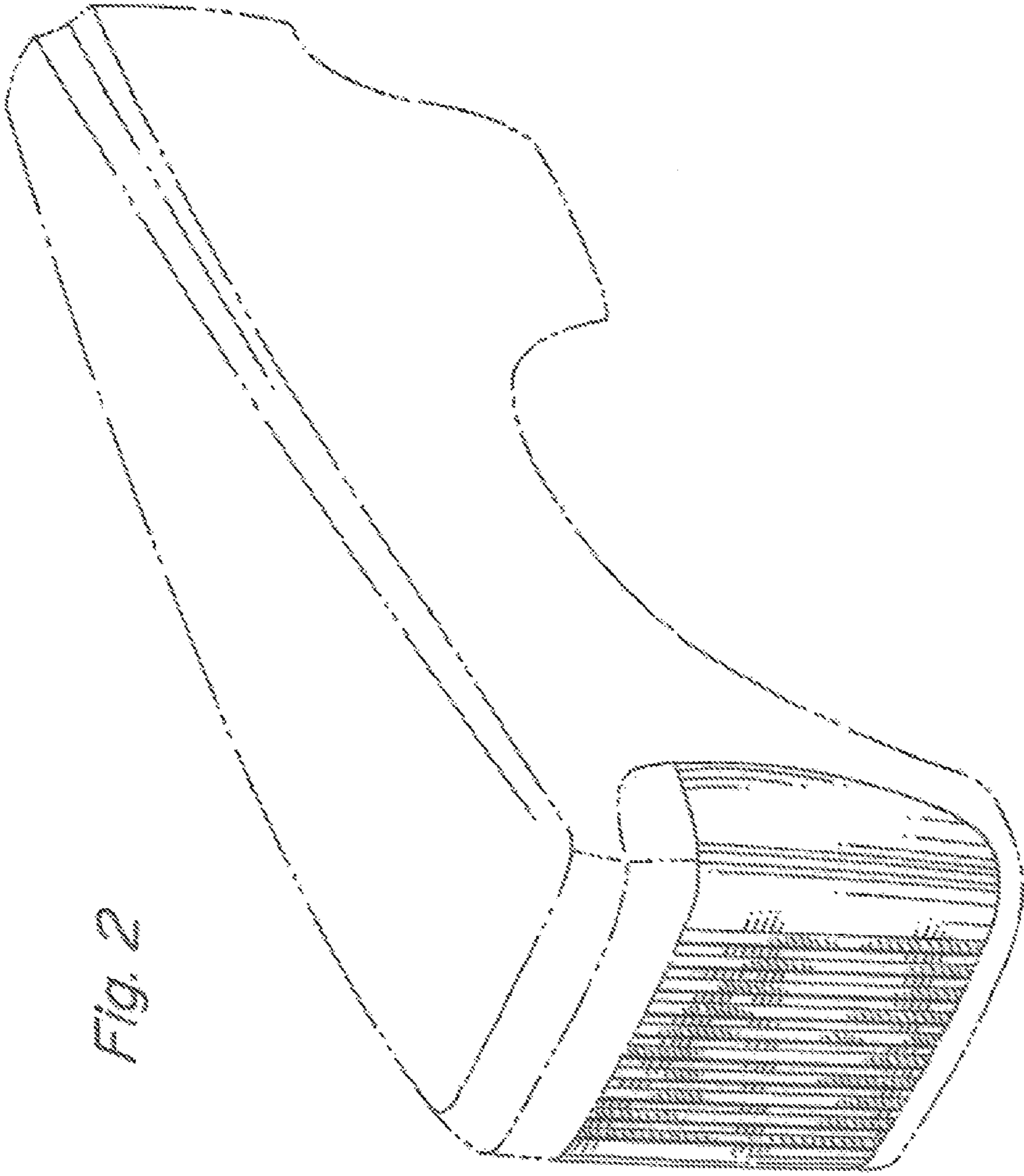


Fig. 2

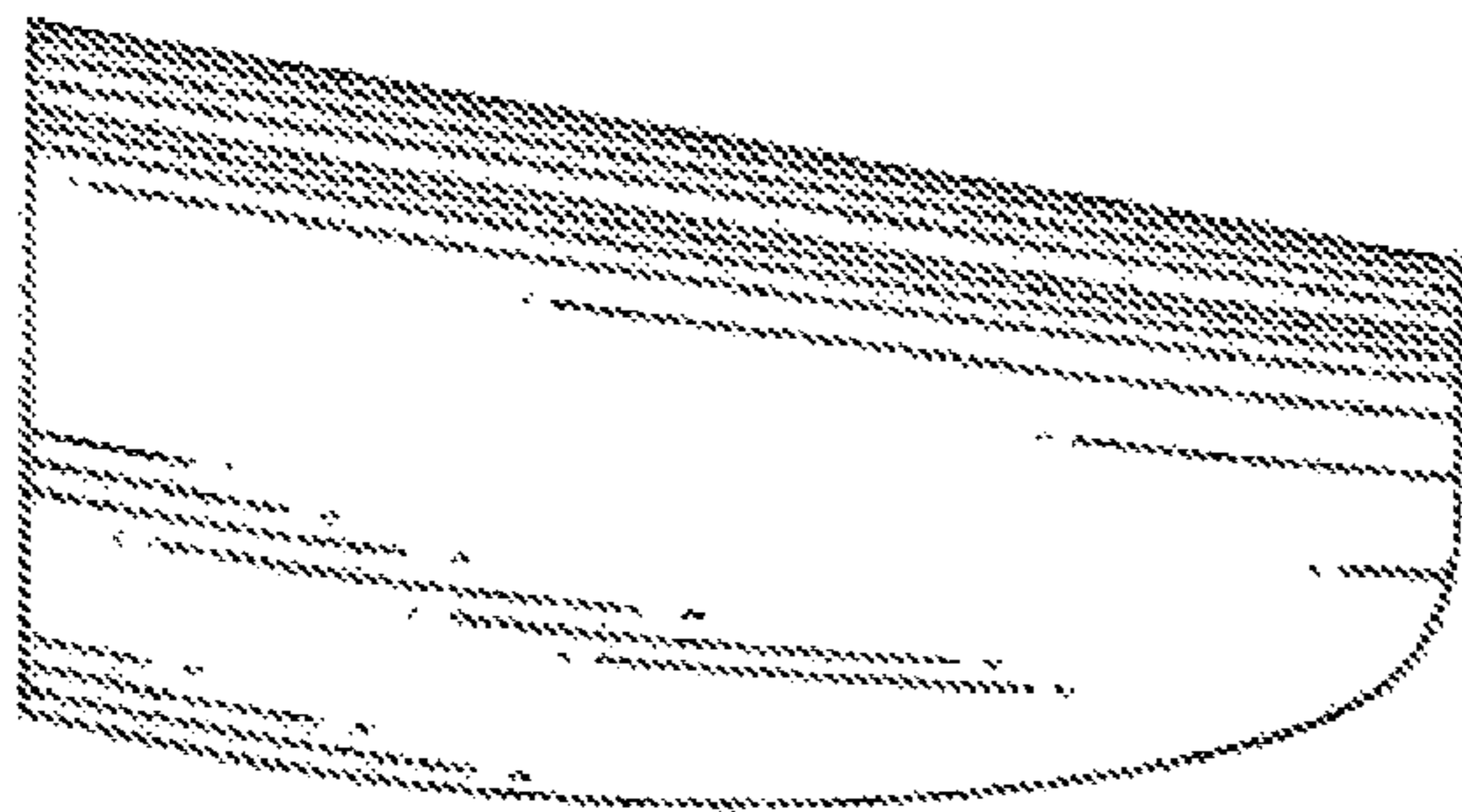


Fig. 3

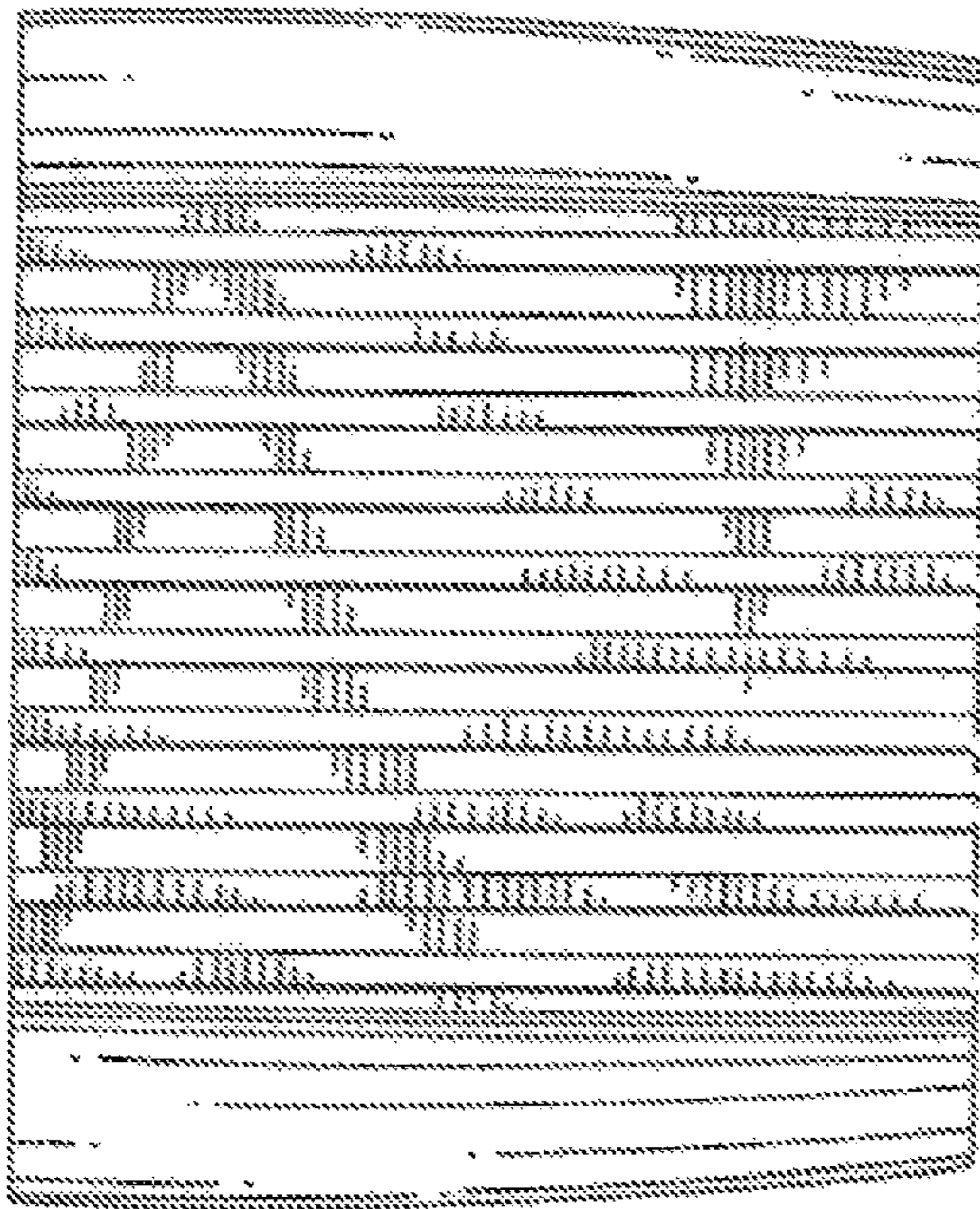


Fig. 4

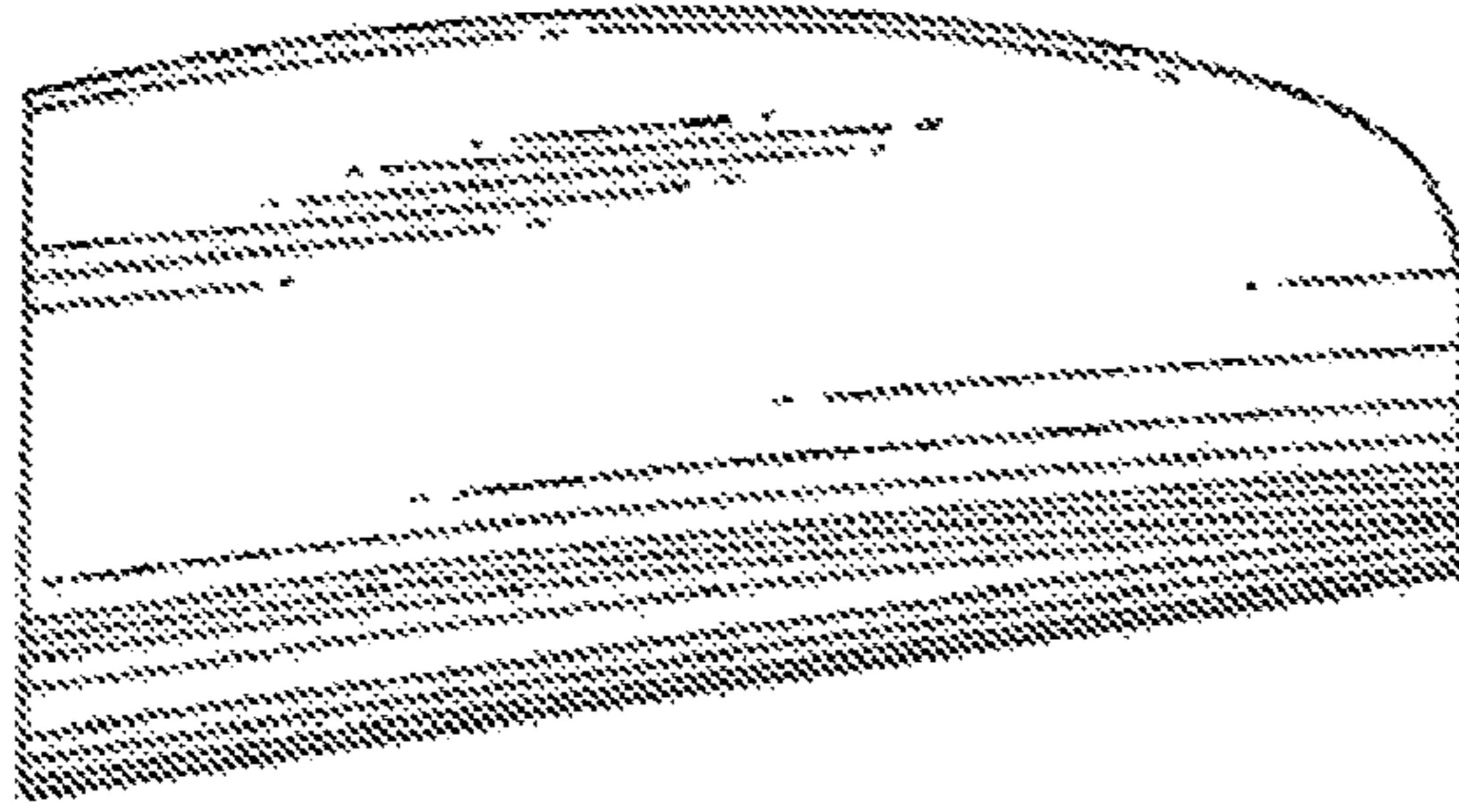


Fig. 5

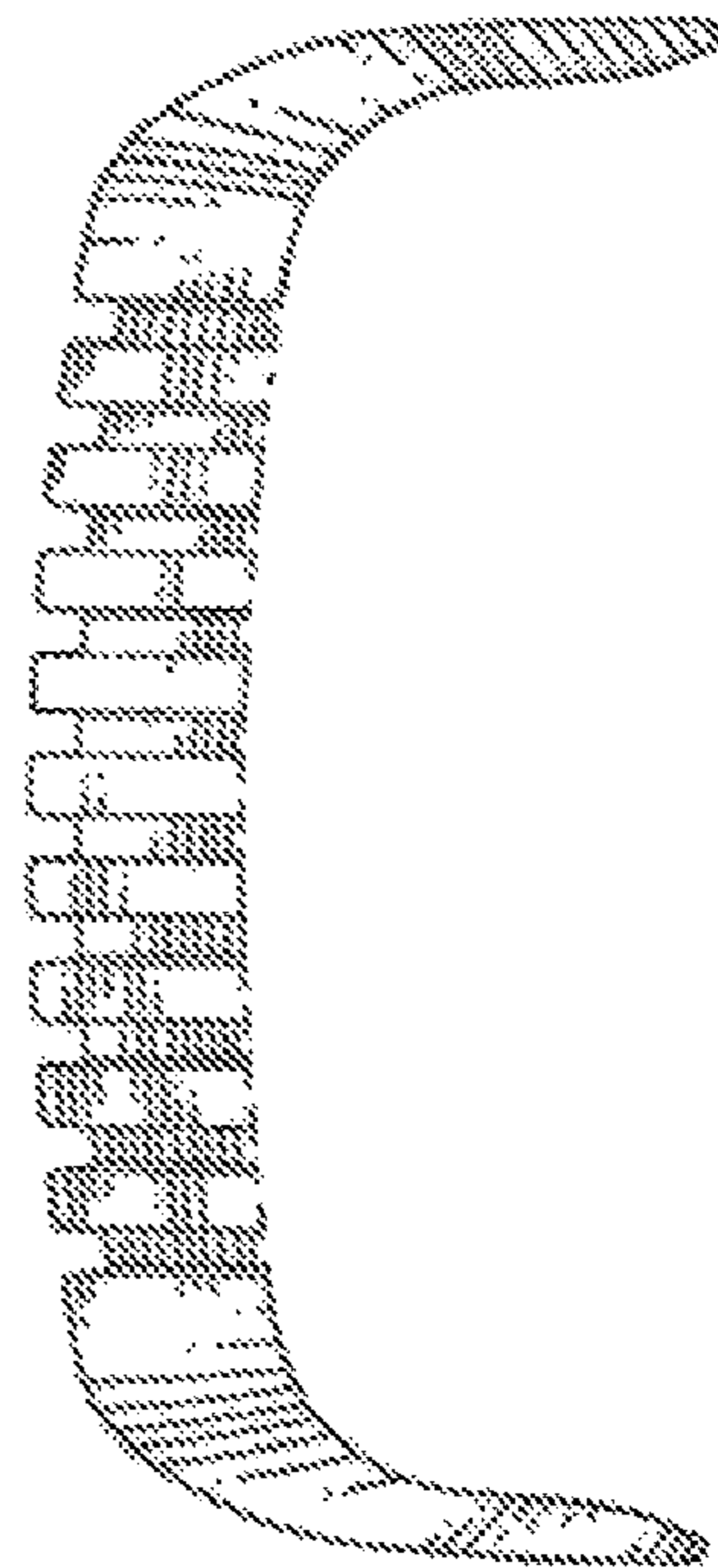


Fig. 6

UNITED STATES PATENT AND TRADEMARK OFFICE  
**CERTIFICATE OF CORRECTION**

PATENT NO. : D662,524 S  
APPLICATION NO. : 29/129465  
DATED : June 26, 2012  
INVENTOR(S) : Crookes et al.

Page 1 of 1

It is certified that error appears in the above-identified patent and that said Letters Patent is hereby corrected as shown below:

On the title page, Item (75), under listing of inventors, please add Rodney Keith Rowland and Eric Albert Keen.

Signed and Sealed this  
Fifteenth Day of October, 2013



Teresa Stanek Rea  
*Deputy Director of the United States Patent and Trademark Office*