

US00D662523S

(12) **United States Design Patent**
Goentzel

(10) **Patent No.:** **US D662,523 S**
(45) **Date of Patent:** **** Jun. 26, 2012**

(54) **MULTI-HEAD FLOOR-GRINDING MACHINE WITH PIVOTING HEADS**

(76) Inventor: **Howard Goentzel**, Palmer, AK (US)

(**) Term: **14 Years**

(21) Appl. No.: **29/349,917**

(22) Filed: **May 19, 2010**

(51) **LOC (9) Cl.** **15-03**

(52) **U.S. Cl.** **D15/27; D15/33; D15/124**

(58) **Field of Classification Search** D15/10,
D15/27, 122, 124, 131, 141, 22, 33; 451/28,
451/70, 340, 344, 350, 353, 434; 280/62;
299/1.5

See application file for complete search history.

(56) **References Cited**

U.S. PATENT DOCUMENTS

2,301,164	A *	11/1942	Mall	451/353
D205,234	S *	7/1966	Dreyfuss et al.	D15/27
D267,320	S *	12/1982	Symonds	D15/11
D300,224	S *	3/1989	Schold et al.	D15/124
D306,598	S *	3/1990	Swartzendruber et al.	D15/11
D308,687	S *	6/1990	Demlow	D15/124
6,238,277	B1 *	5/2001	Duncan et al.	451/271
7,247,085	B1 *	7/2007	Anderson	451/350
7,261,623	B1 *	8/2007	Palushi	451/350
7,357,700	B2 *	4/2008	Lundberg et al.	451/353
7,640,622	B2 *	1/2010	Vankouwenberg	15/340.4
D623,669	S *	9/2010	Kromminga et al.	D15/27

2005/0235453	A1 *	10/2005	Vankouwenberg	15/340.4
2007/0155285	A1 *	7/2007	Padgett et al.	451/5
2007/0264917	A1 *	11/2007	Lundberg et al.	451/353
2008/0248725	A1 *	10/2008	Craycraft	451/28
2009/0023369	A1 *	1/2009	Thysell	451/350
2010/0176567	A1 *	7/2010	Neudeck	280/62
2010/0197210	A1 *	8/2010	Goldberg et al.	451/353
2010/0267316	A1 *	10/2010	Silver et al.	451/353

* cited by examiner

Primary Examiner — Mark Goodwin

(74) *Attorney, Agent, or Firm* — Michael J. Tavella

(57) **CLAIM**

The ornamental design for a multi-head floor-grinding machine with pivoting heads, as shown and described.

DESCRIPTION

FIG. 1 is a top plan view of a multi-head floor-grinding machine with pivoting heads, showing my new design.

FIG. 2 is a front perspective view of my new design.

FIG. 3 is a front elevation of my new design.

FIG. 4 is detail view of the center power head showing the unit tilted at an angle.

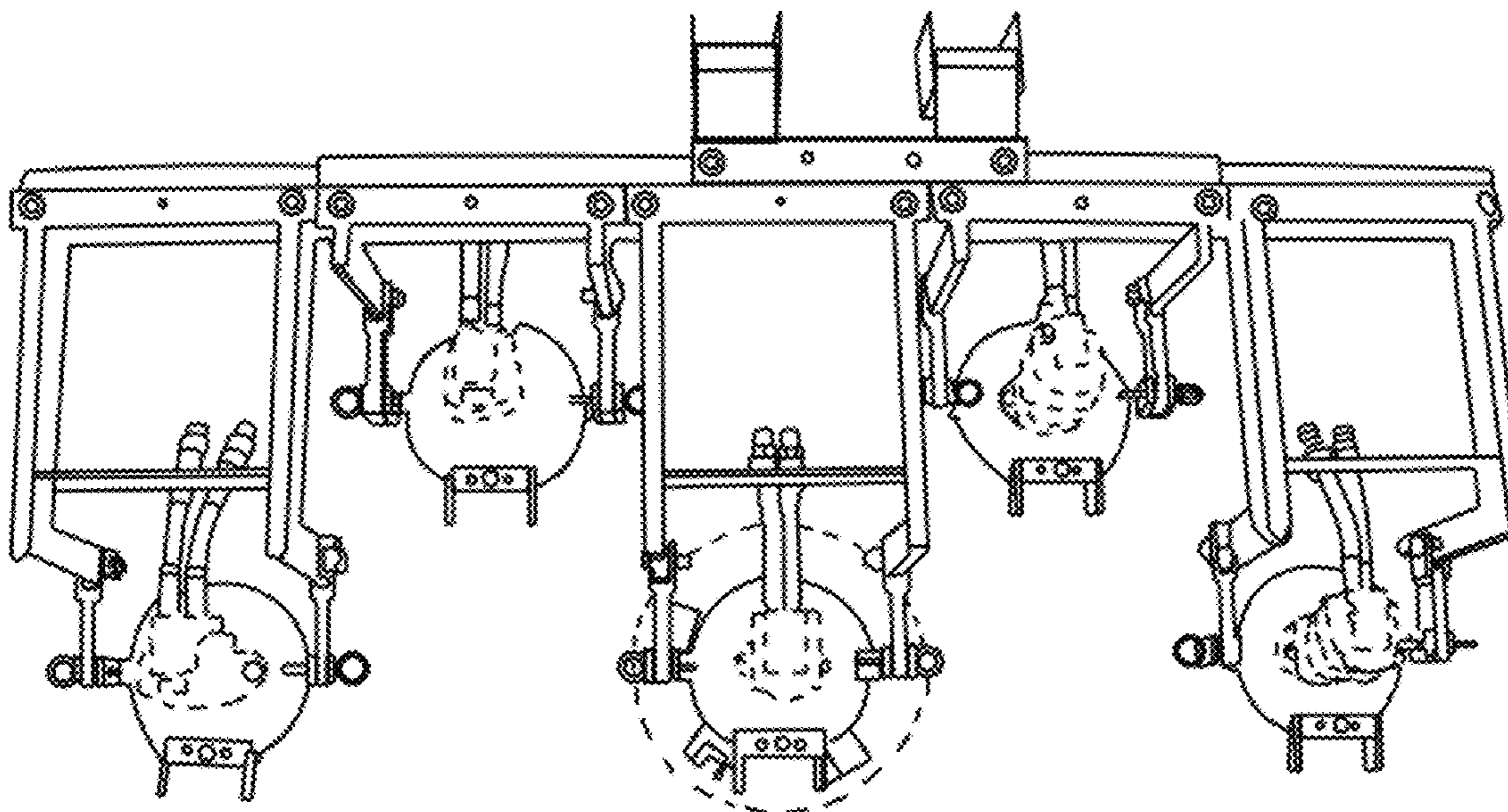
FIG. 5 is a right side elevation view of the new design, showing one of the power heads being tilted.

FIG. 6 is a left side elevation view of the new design; and,

FIG. 7 is a rear elevation view of the new design.

The dashed lines showing the drive heads in FIGS. 1-7 and the planetary floor grinder in FIGS. 1, 2, 3, 4 and 7 are for illustrative purposes only and form no part of the claimed design.

1 Claim, 6 Drawing Sheets



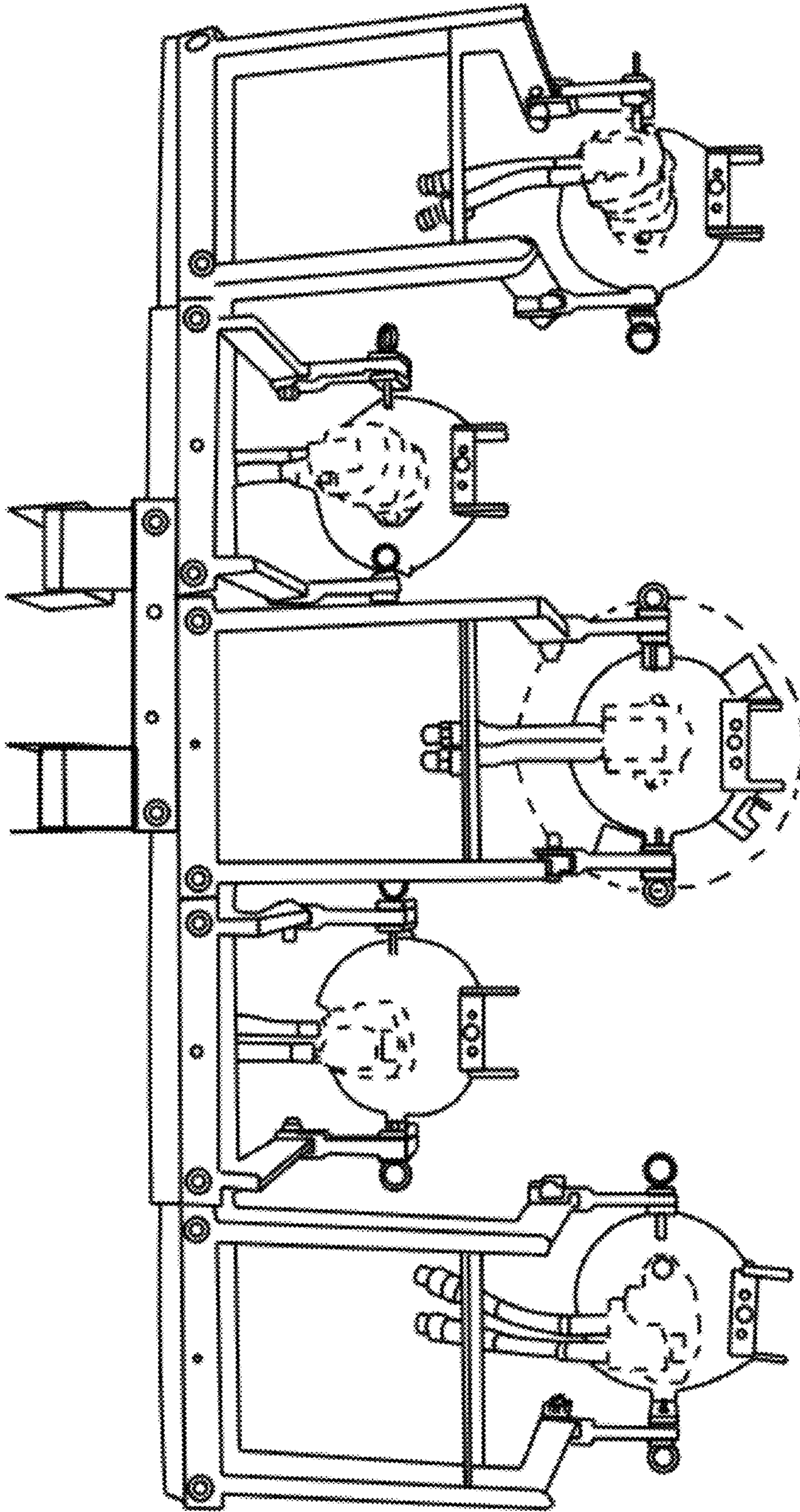


Figure 1

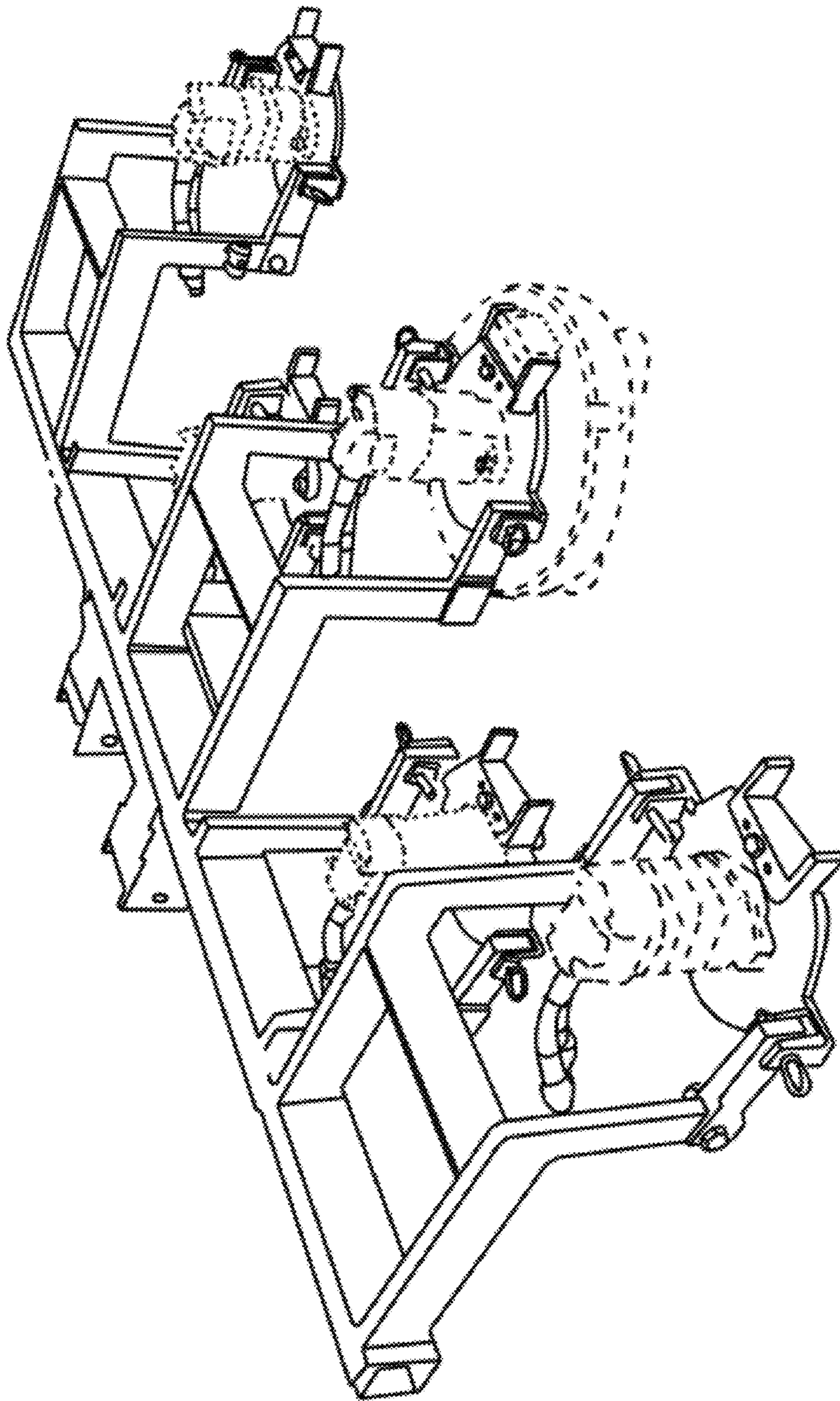


Figure 2

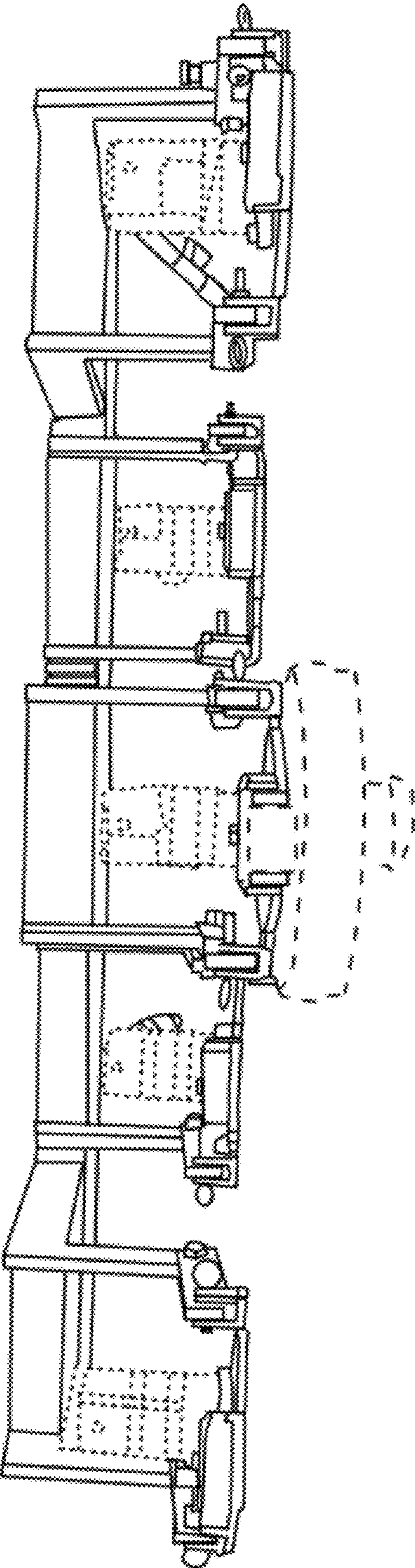


Figure 3

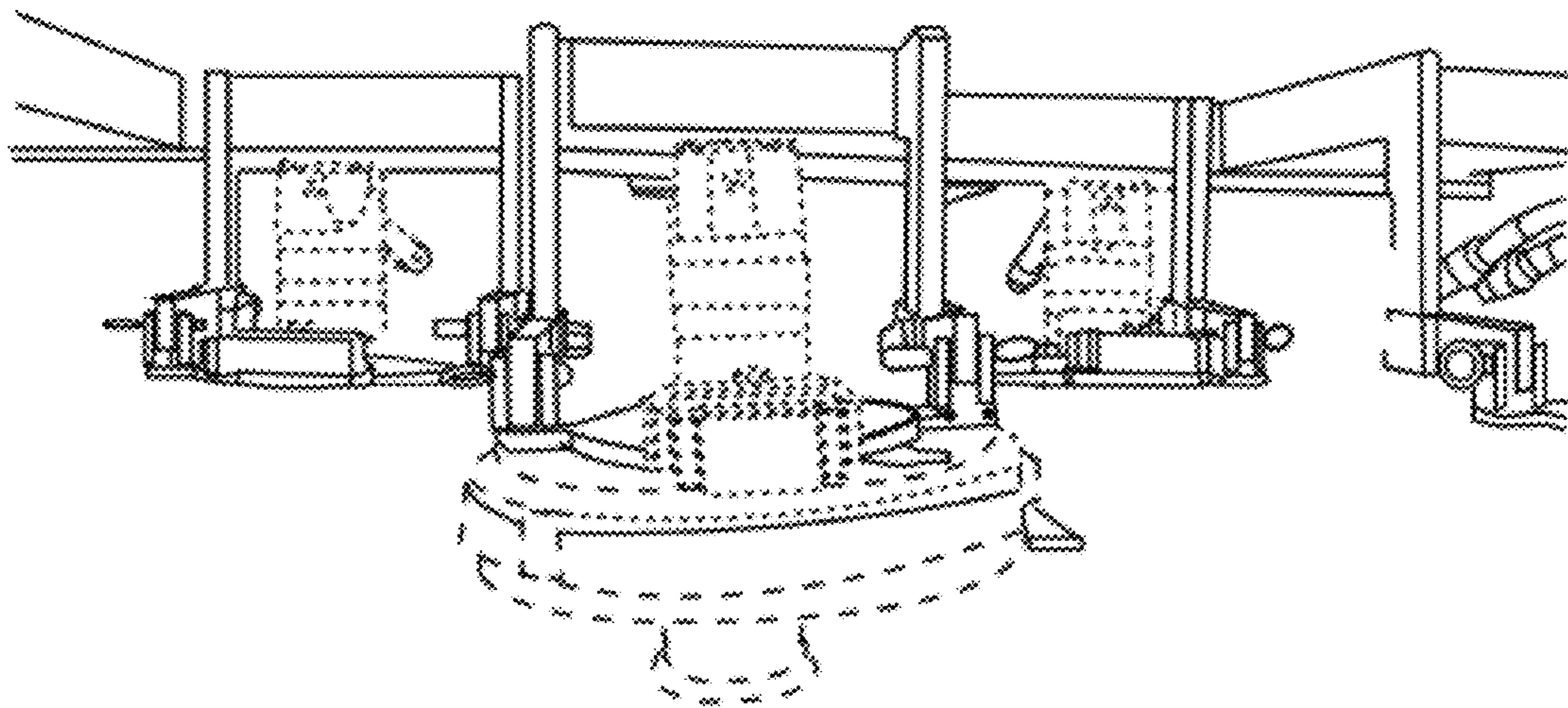


Figure 4

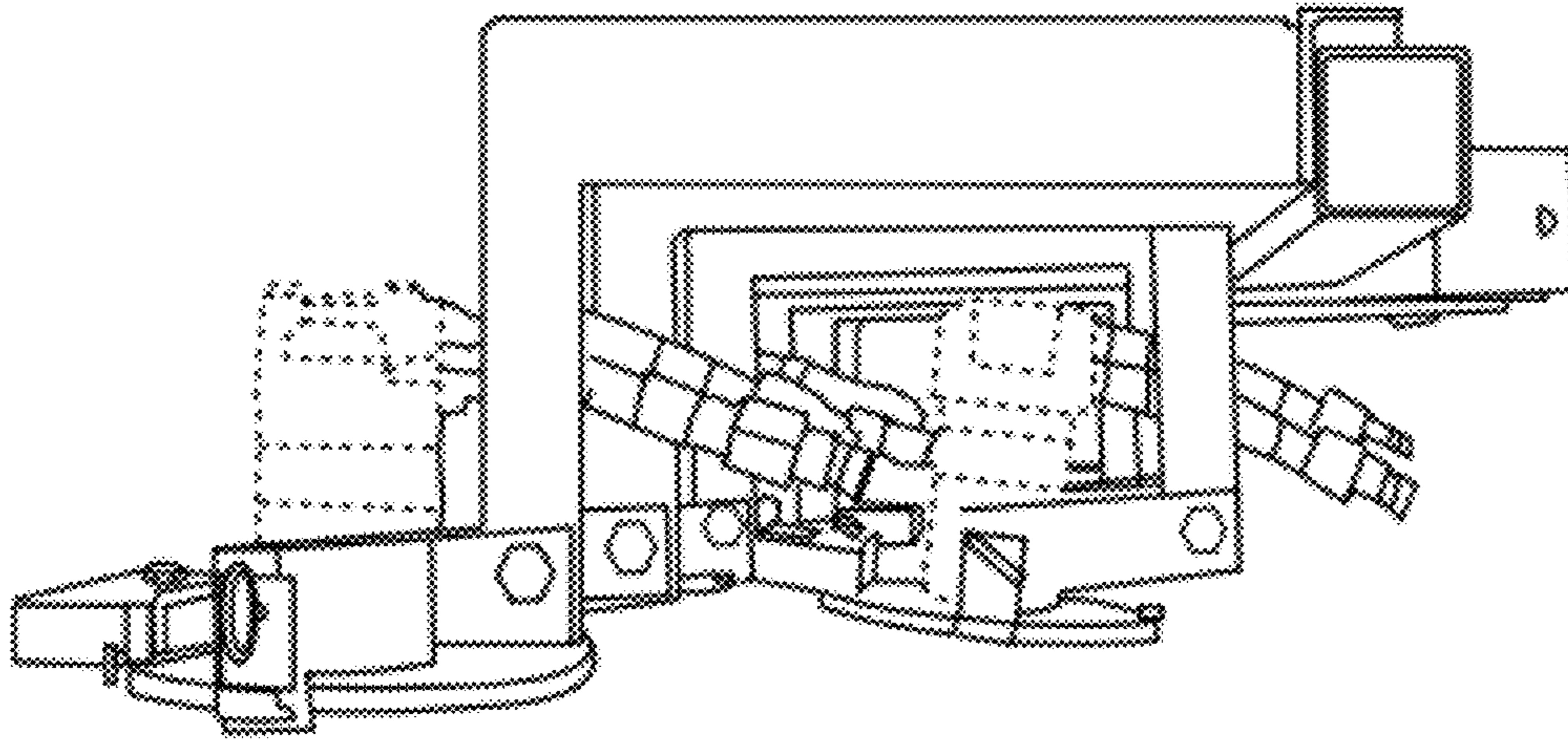


Figure 5

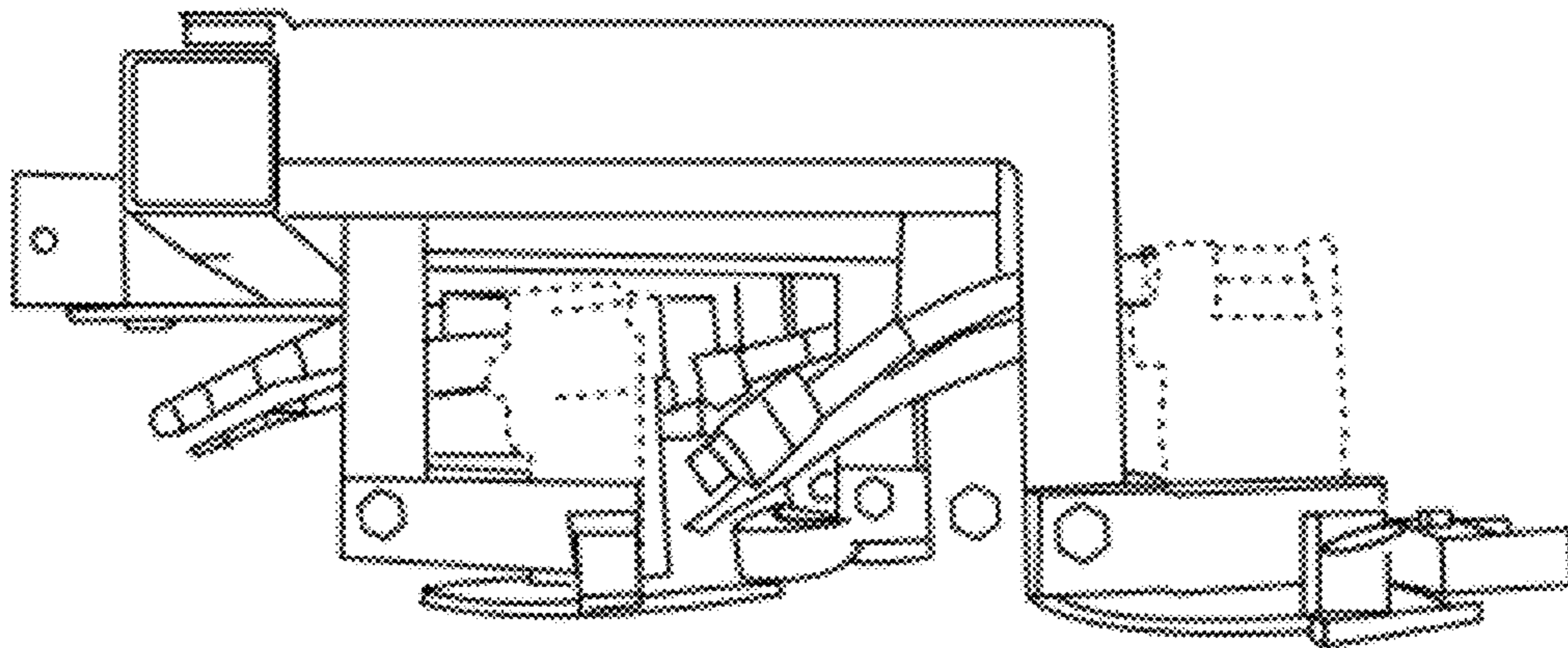


Figure 6

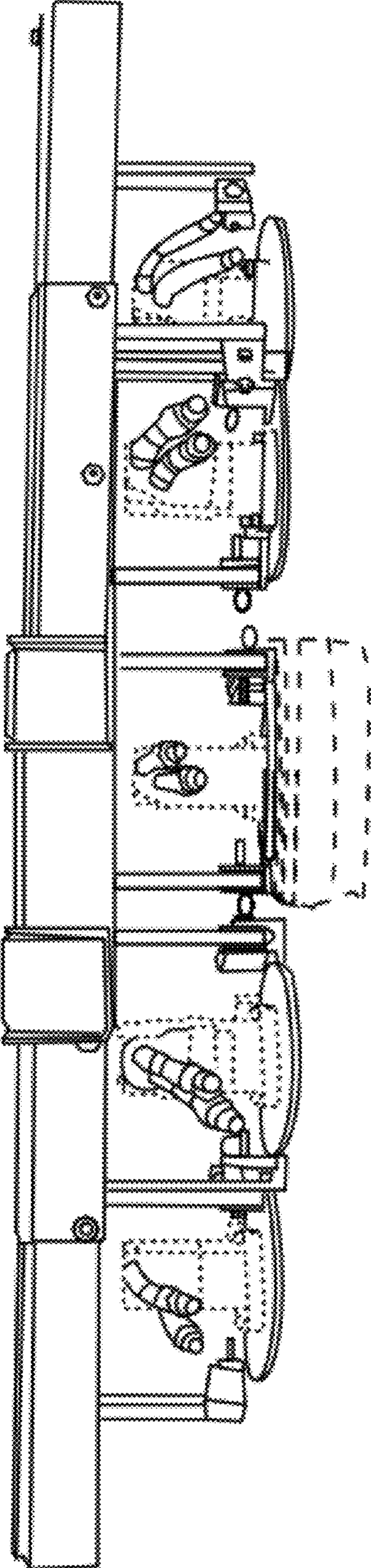


Figure 7