



US00D662522S

(12) **United States Design Patent**
Simpson

(10) **Patent No.:** **US D662,522 S**

(45) **Date of Patent:** **** Jun. 26, 2012**

(54) **MATERIAL SPREADER**

(75) Inventor: **Dennis L. Simpson**, Milford Center, OH
(US)

(73) Assignee: **White Castle Management Co.**,
Columbus, OH (US)

(**) Term: **14 Years**

(21) Appl. No.: **29/409,196**

(22) Filed: **Dec. 21, 2011**

(51) **LOC (9) Cl.** **15-03**

(52) **U.S. Cl.** **D15/26; D15/13**

(58) **Field of Classification Search** D15/13,
D15/15, 21-26; 180/19.1, 11, 14.2; 239/147,
239/172, 684, 670, 672, 683, 685, 663, 155,
239/170, 328, 562, 650, 662, 67, 681
See application file for complete search history.

(56) **References Cited**

U.S. PATENT DOCUMENTS

3,485,314 A * 12/1969 Herr 180/19.1
5,860,604 A * 1/1999 Kooiker 239/684
6,336,600 B1 1/2002 Jessen

7,032,694 B2 4/2006 Jessen
7,942,224 B2 * 5/2011 Marshall et al. 180/89.13
8,056,828 B1 * 11/2011 Kline et al. 239/147

* cited by examiner

Primary Examiner — Mark Goodwin

(74) *Attorney, Agent, or Firm* — Porter, Wright, Morris &
Arthur, LLP

(57) **CLAIM**

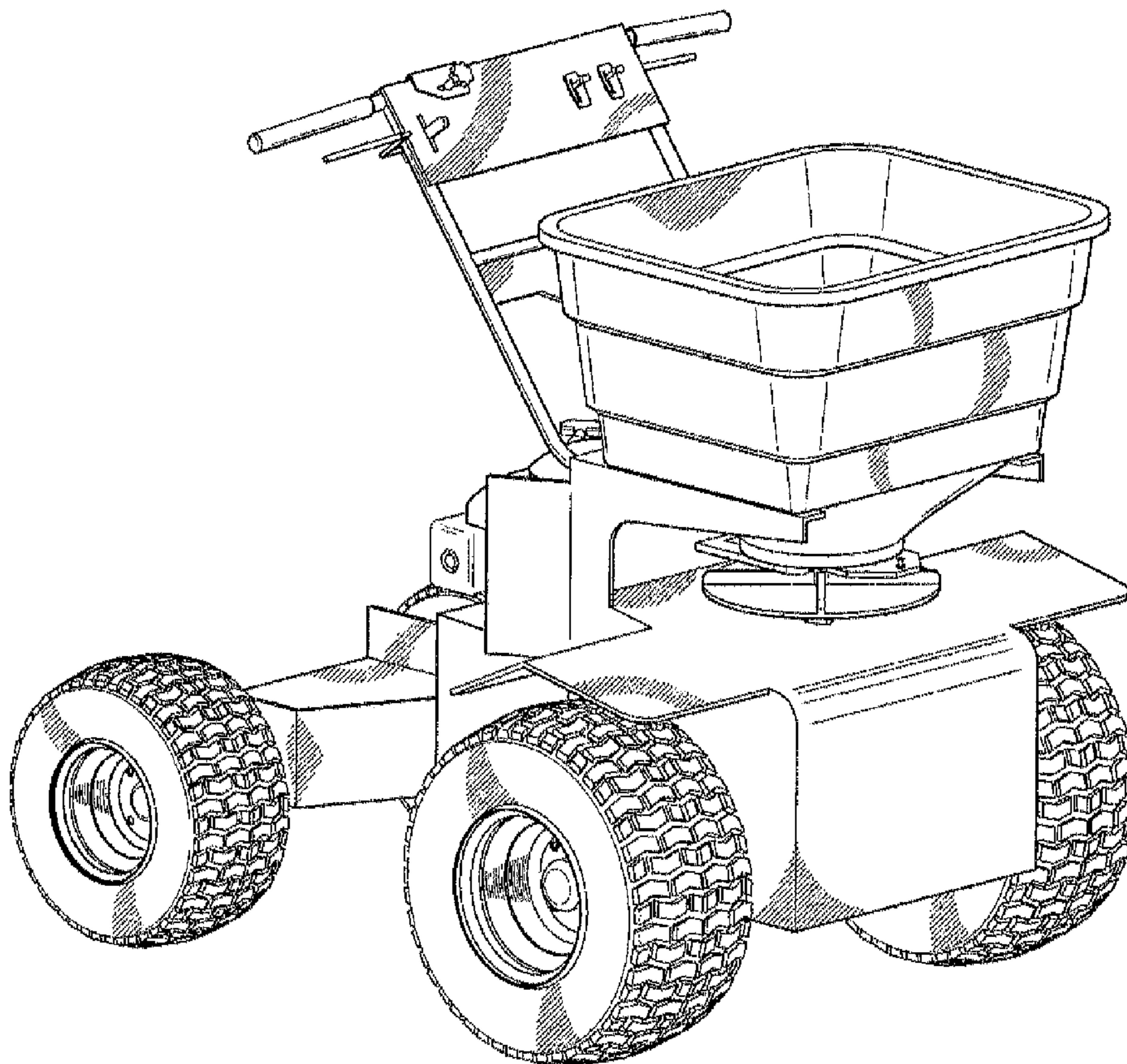
The ornamental design for a material spreader, as shown and
described.

DESCRIPTION

FIG. 1 is a perspective view of a material spreader according
to my new design;
FIG. 2 is a front view thereof;
FIG. 3 is a rear view thereof;
FIG. 4 is a top view thereof;
FIG. 5 is bottom view thereof;
FIG. 6 is a right side view thereof; and,
FIG. 7 is a left side view thereof.

The broken lines in the figures are for illustrative purposes
only and form no part of the claimed design.

1 Claim, 7 Drawing Sheets



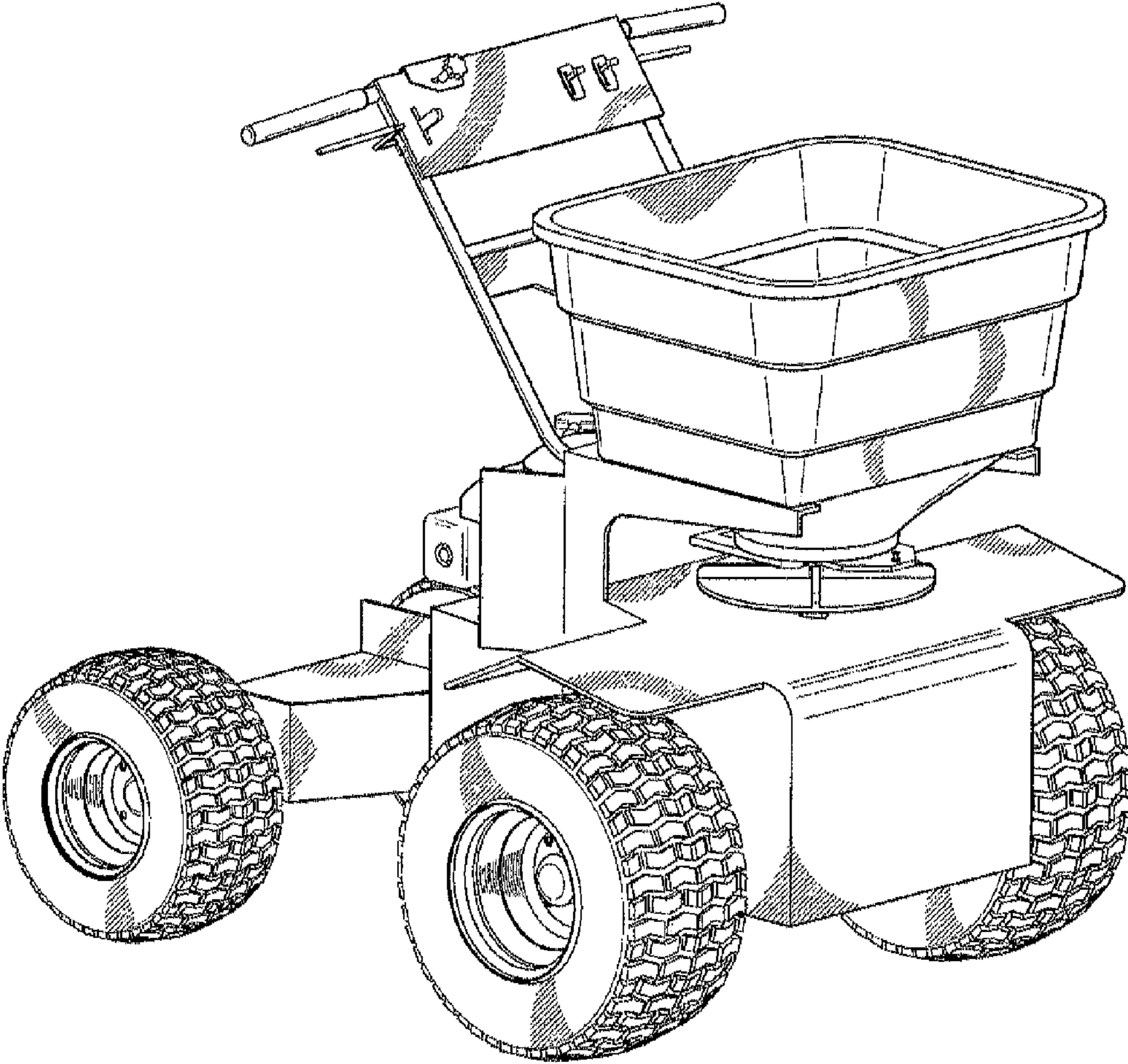


FIG. 1

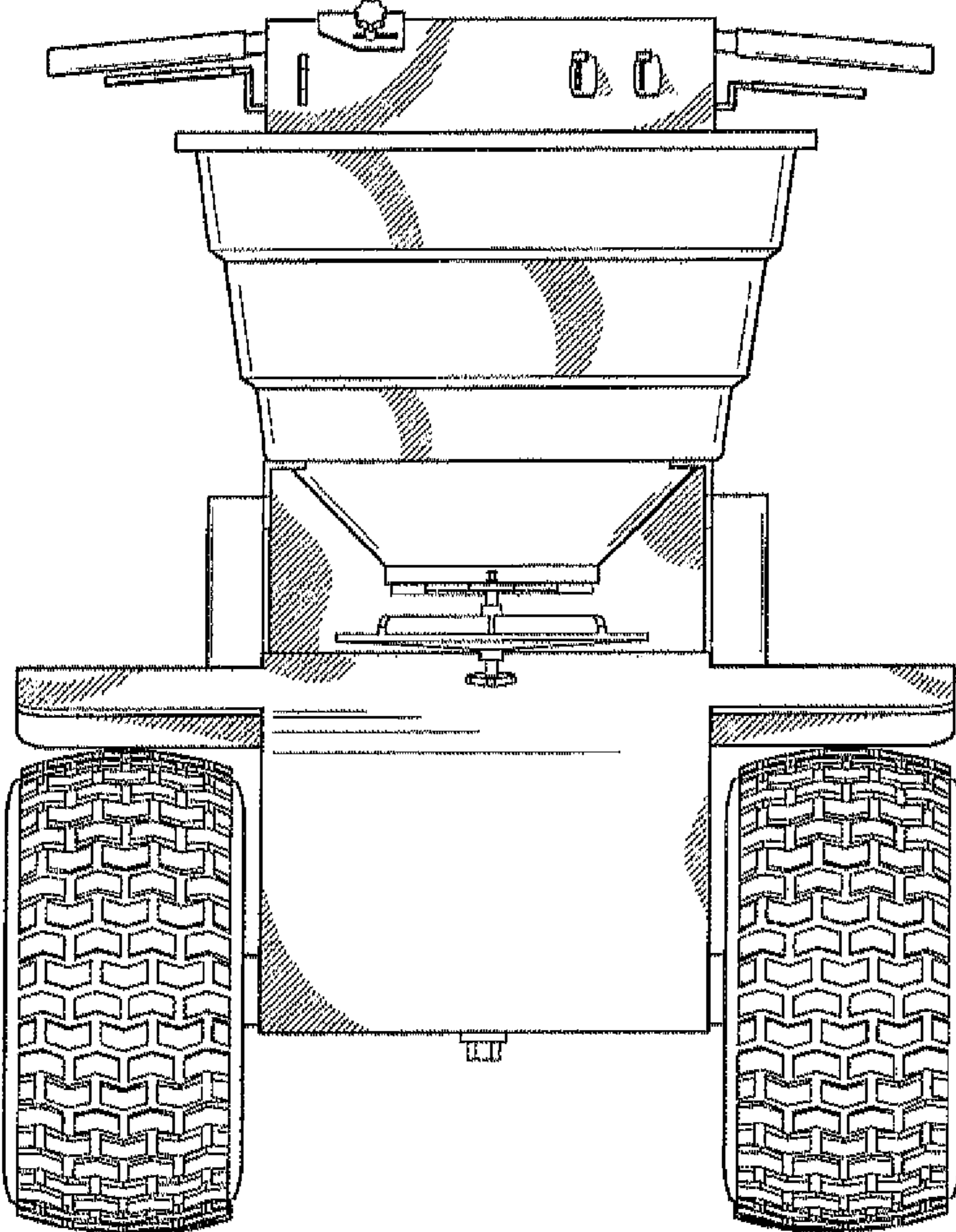


FIG. 2

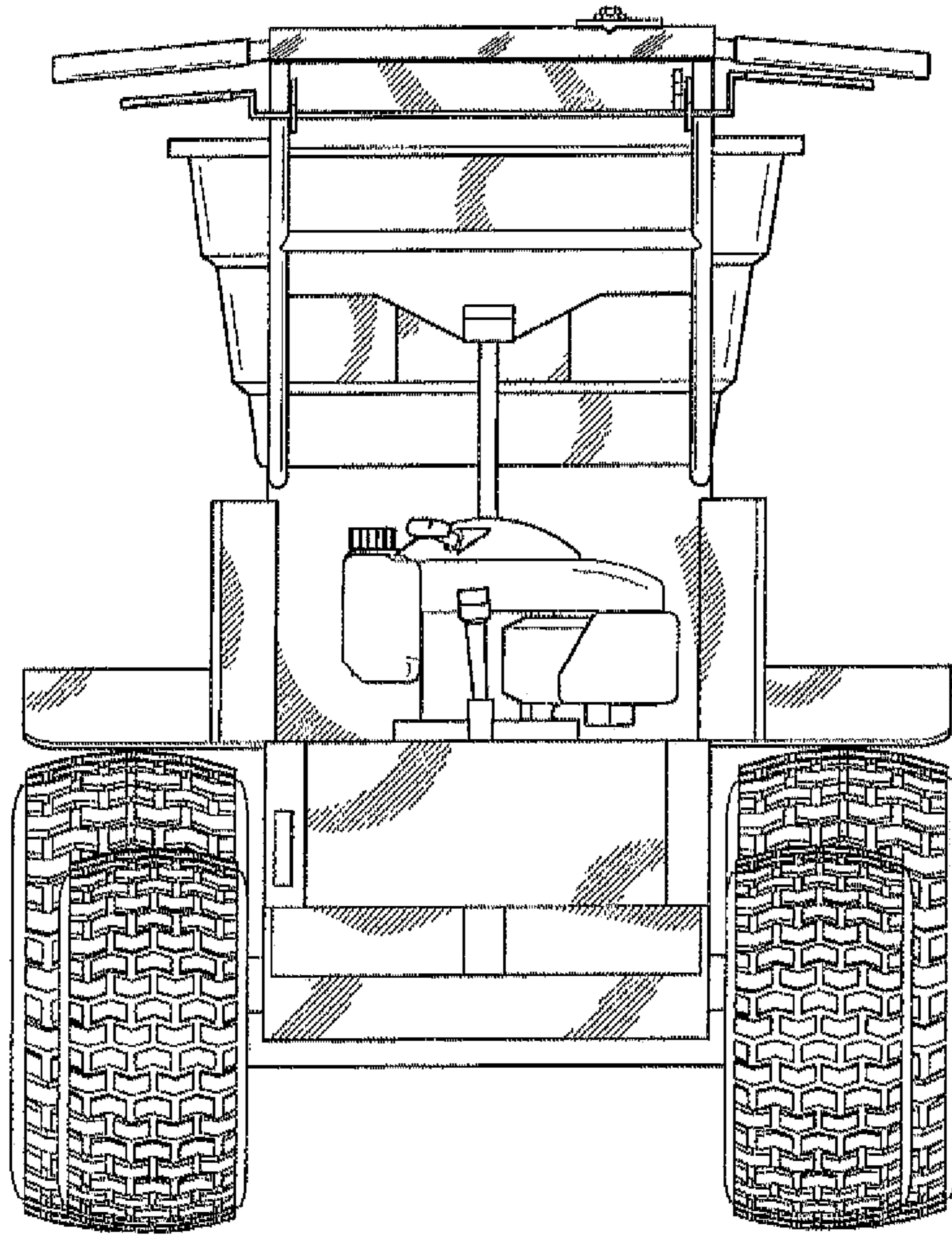


FIG. 3

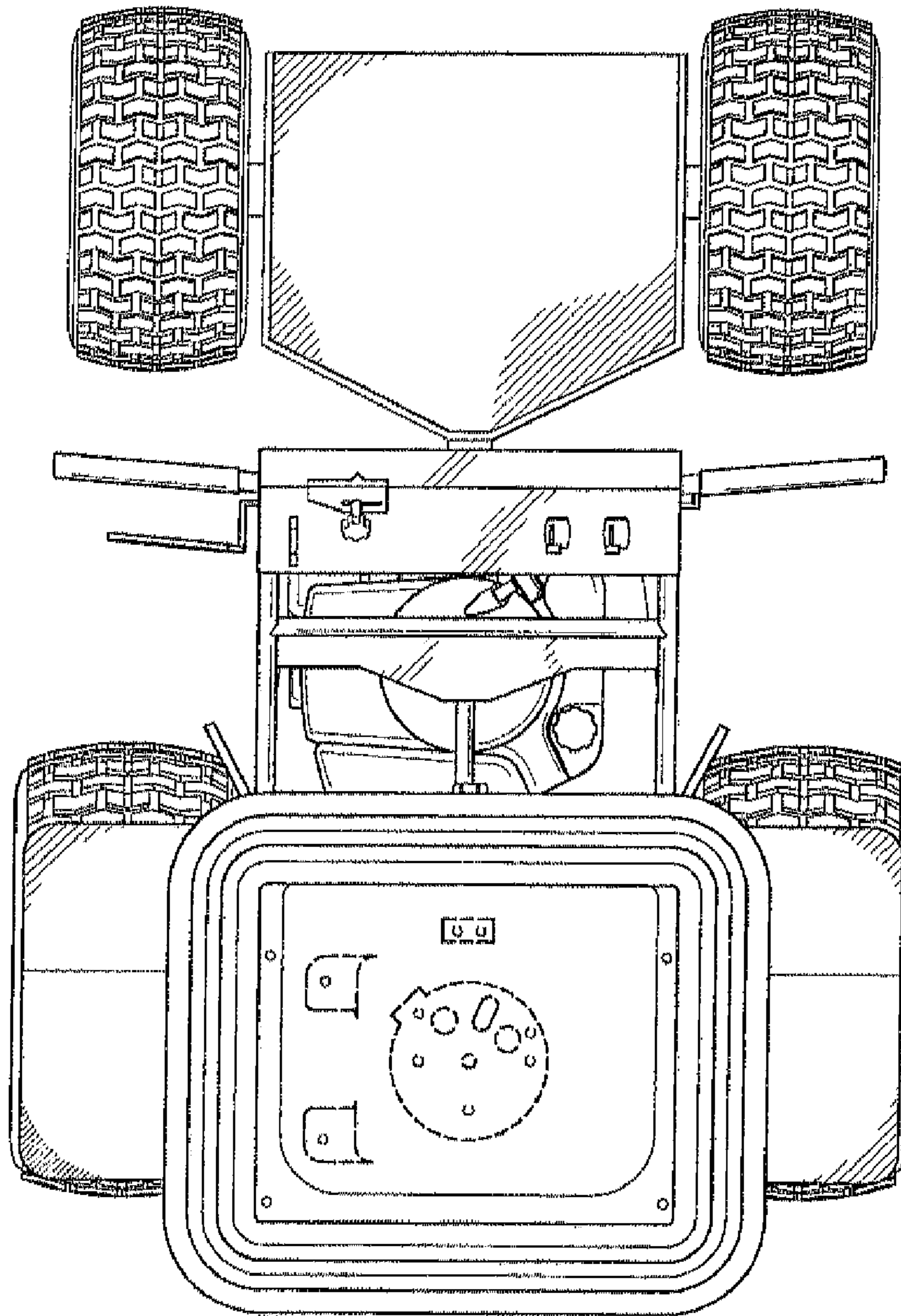


FIG. 4

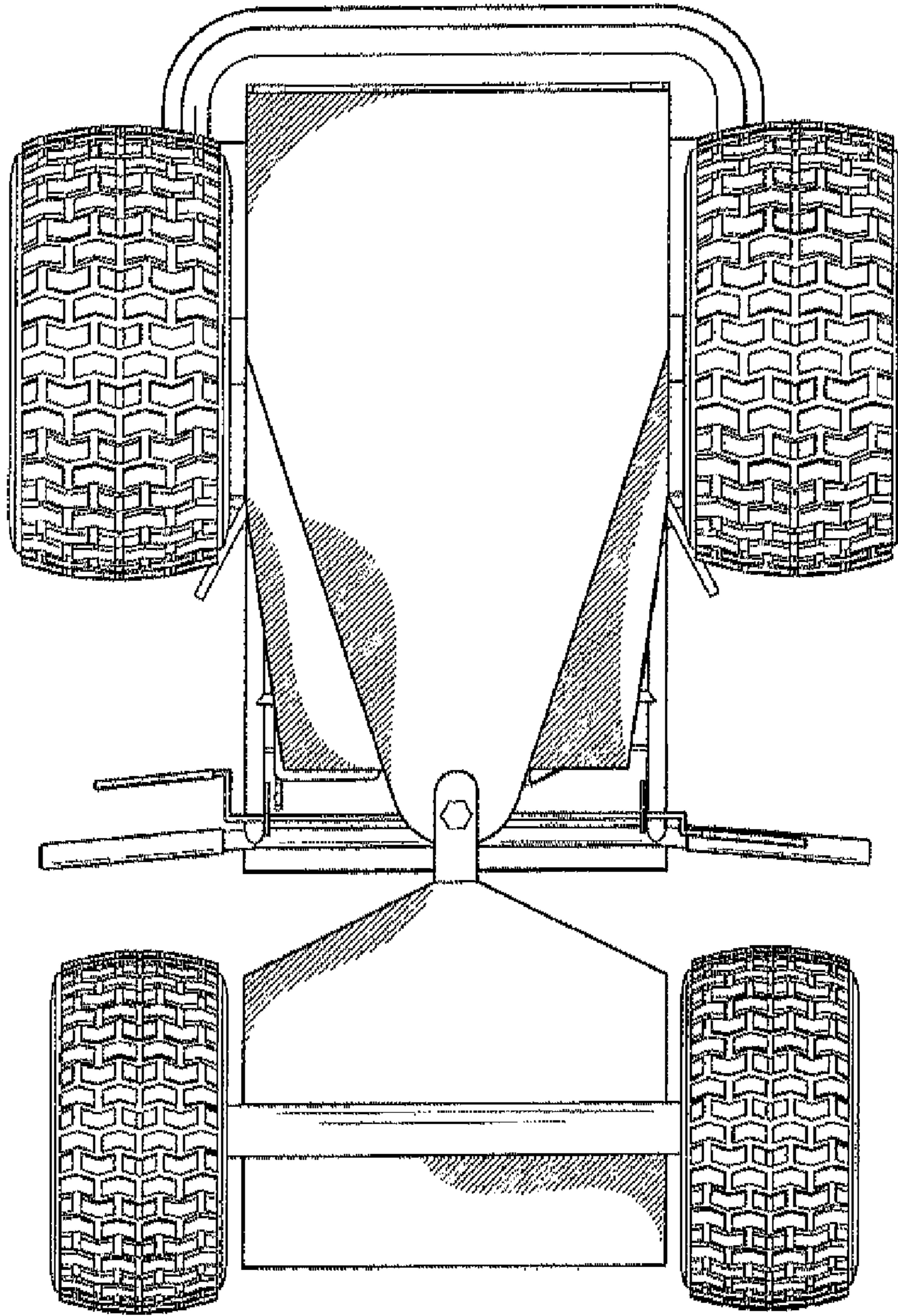


FIG. 5

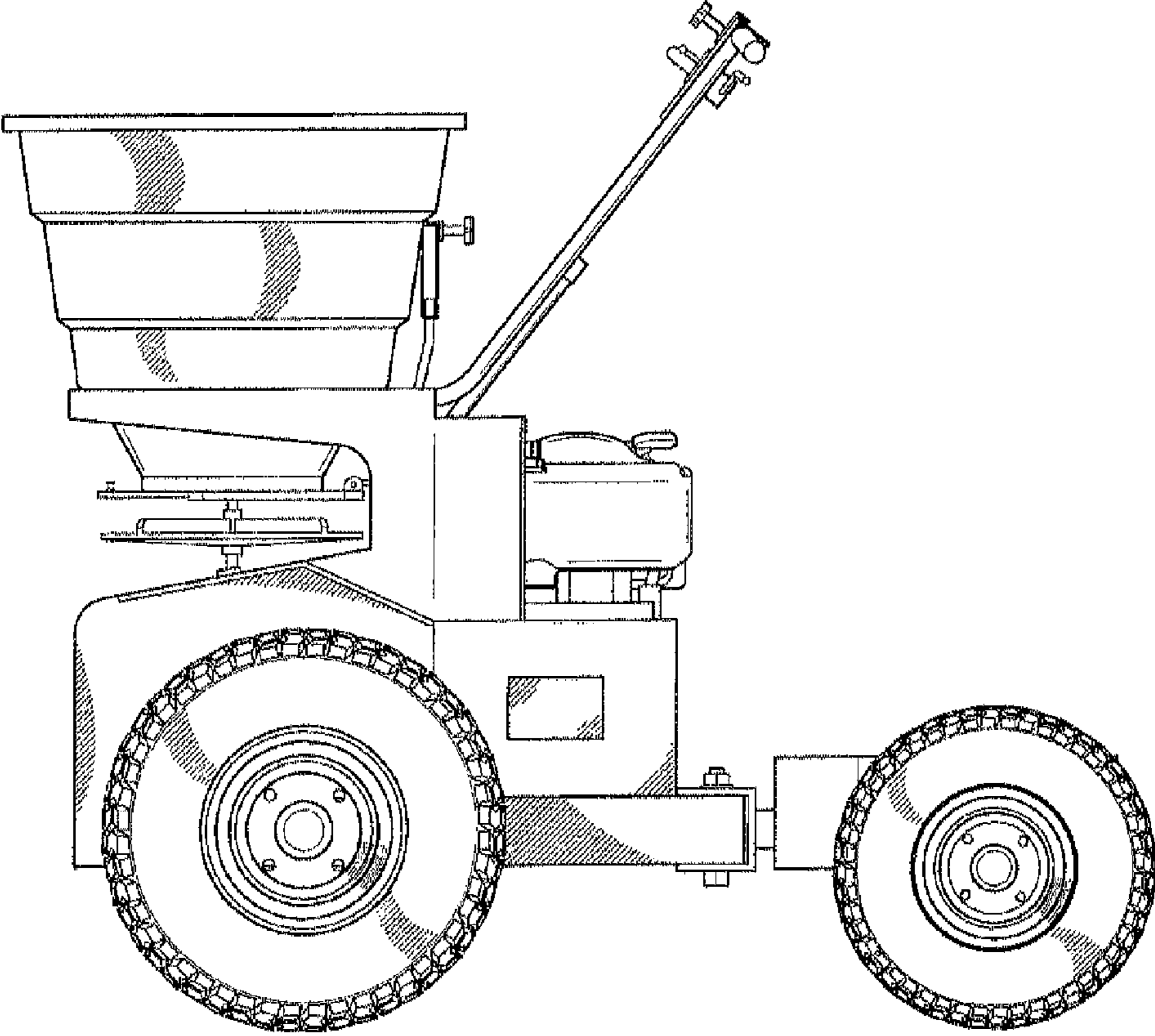


FIG. 6

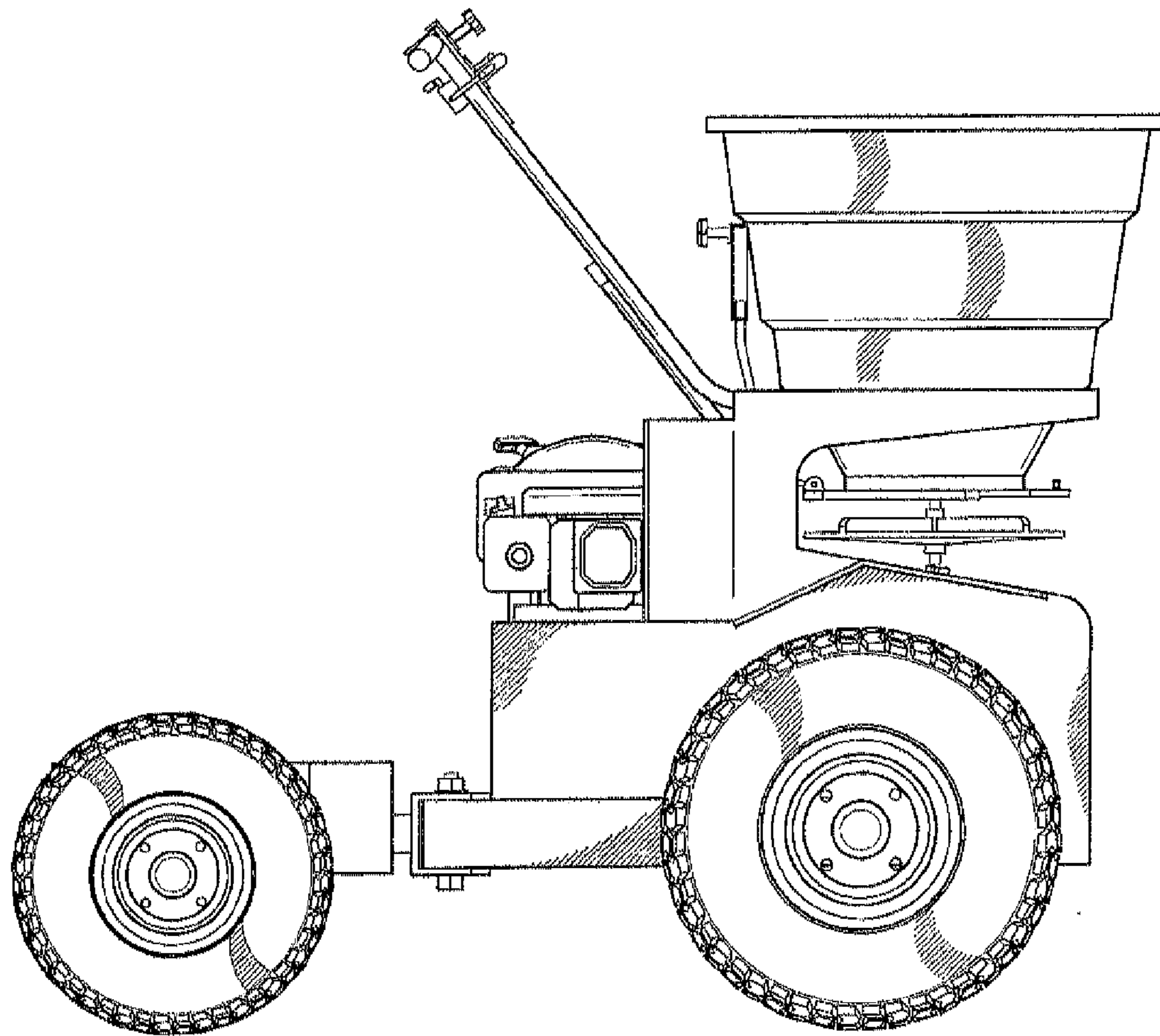


FIG. 7