

US00D662521S

(12) **United States Design Patent**
Tremblay et al.

(10) **Patent No.:** **US D662,521 S**
(45) **Date of Patent:** **** Jun. 26, 2012**

(54) **MIXING ROTOR**

(75) Inventors: **Doris Tremblay**, Jonquière (CA); **Yvon Ménard**, Chicoutimi (CA)

(73) Assignee: **Alcan International Limited**, Quebec (CA)

(**) Term: **14 Years**

(21) Appl. No.: **29/368,454**

(22) Filed: **Aug. 24, 2010**

(30) **Foreign Application Priority Data**

Apr. 9, 2010 (CA) 134942

(51) **LOC (9) Cl.** **15-03**

(52) **U.S. Cl.** **D15/19**

(58) **Field of Classification Search** D15/19,
D15/28, 29; D12/214; D23/413, 370, 379;
416/236 R, 200 R, 228, 223 R, 204 R, 235,
416/238, 243, 179, 182; 241/46.11; 361/695

See application file for complete search history.

(56) **References Cited**

U.S. PATENT DOCUMENTS

120,849 A	11/1871	Broyhill et al.	
946,281 A	1/1910	Smith	
990,546 A	4/1911	Gross	
1,864,803 A *	6/1932	Clark	416/236 R
2,760,255 A	8/1956	Crompton	
2,838,794 A	6/1958	Munger et al.	
3,461,497 A	8/1969	Geyer	
3,487,503 A	1/1970	Barr et al.	
3,580,550 A *	5/1971	Hunnicut	366/251
3,664,795 A	5/1972	Heinz et al.	
3,671,141 A	6/1972	Kovacs	
3,676,034 A	7/1972	Wendricks	
3,807,703 A *	4/1974	Day	366/290
3,902,704 A	9/1975	Ishibashi et al.	
4,025,274 A	5/1977	Uemura et al.	
4,049,245 A	9/1977	Tadmor et al.	
4,107,260 A	8/1978	Dougherty	
4,108,385 A *	8/1978	Funk	241/46.04
4,694,993 A	9/1987	Endo et al.	

5,052,892 A *	10/1991	Fasano	416/204 R
D324,201 S *	2/1992	Hannon et al.	D12/214
D324,363 S *	3/1992	Hannon et al.	D12/214
D324,364 S *	3/1992	Hannon et al.	D12/214
D326,080 S *	5/1992	Vartiala	D12/214
5,342,124 A *	8/1994	Swisher, Jr.	366/66
5,443,588 A *	8/1995	Loppoli	414/526
5,865,381 A *	2/1999	Mitsumura et al.	241/18
D419,669 S *	1/2000	Shinshi et al.	D23/413
D432,621 S *	10/2000	Etschel et al.	D23/200
D442,906 S *	5/2001	Prokop	D12/214
6,280,144 B1 *	8/2001	Powers	416/236 A
D452,205 S *	12/2001	Eisenbraun	D12/162
D459,285 S *	6/2002	Rietsch	D12/214
D473,567 S *	4/2003	Campbell	D15/5
D478,598 S *	8/2003	Gozdinsky	D15/5
D515,104 S *	2/2006	Fujiki et al.	D15/19
D558,324 S *	12/2007	Hong et al.	D23/379
D560,154 S *	1/2008	Aplin, Jr.	D12/214
D562,215 S *	2/2008	Schulze	D12/214
D564,653 S *	3/2008	Iwase et al.	D23/413
D570,996 S *	6/2008	Harman et al.	D23/413
D570,999 S *	6/2008	Harman et al.	D23/413
D575,219 S *	8/2008	Duffield	D12/214
D576,538 S *	9/2008	Schulze	D12/214
D578,460 S *	10/2008	Tymark et al.	D12/214
D585,130 S *	1/2009	Harman et al.	D23/413

* cited by examiner

Primary Examiner — Mark Goodwin

(74) *Attorney, Agent, or Firm* — Norton Rose Canada LLP

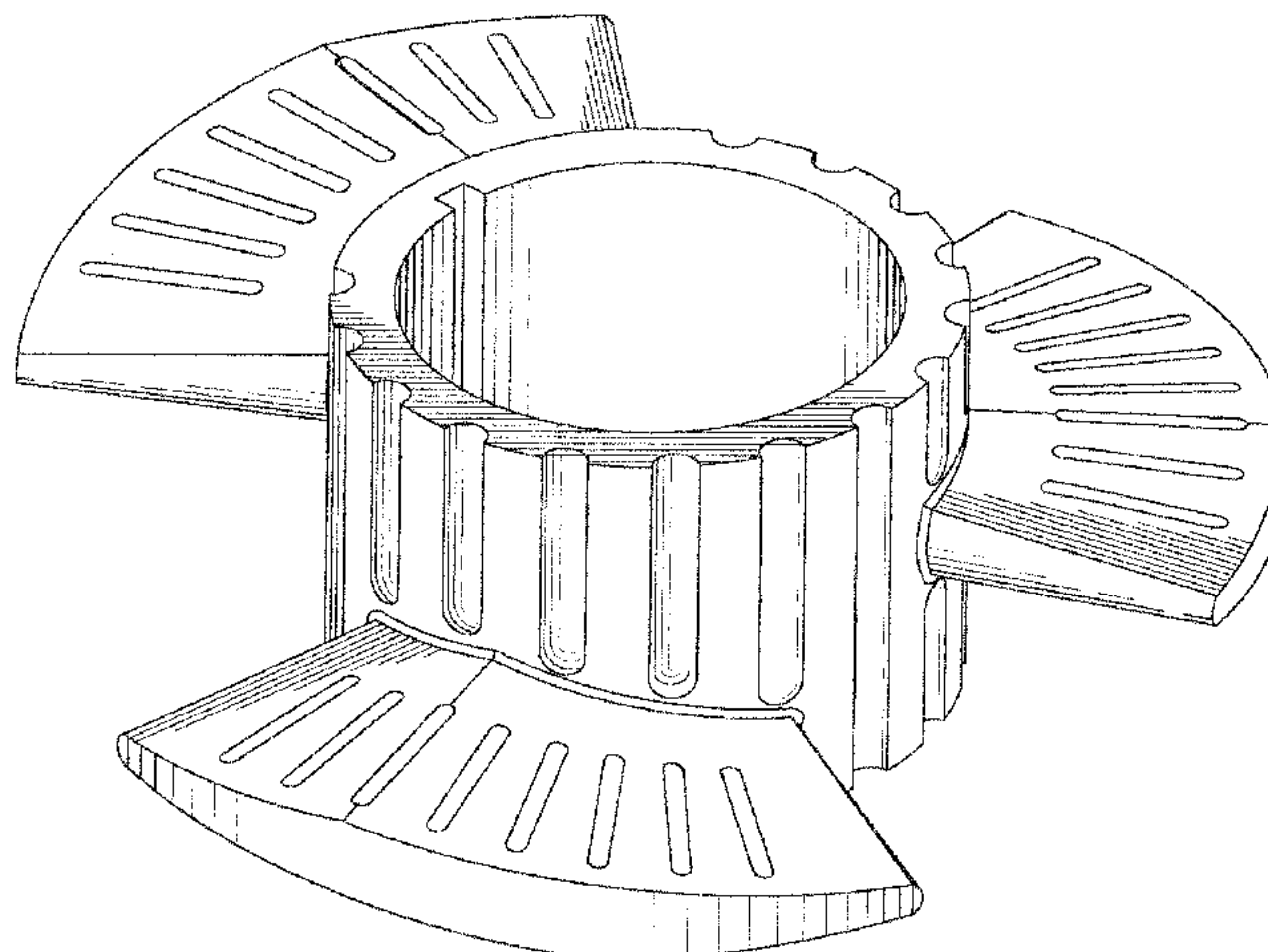
(57) **CLAIM**

The ornamental design for a mixing rotor, as shown and described.

DESCRIPTION

FIG. 1 is a perspective view of a mixing rotor showing our new design;
FIG. 2 is a first elevation view thereof;
FIG. 3 is a second elevation view thereof;
FIG. 4 is a third elevation view thereof;
FIG. 5 is a fourth elevation view thereof;
FIG. 6 is a top plan view thereof; and,
FIG. 7 is a bottom plan view thereof.

1 Claim, 5 Drawing Sheets



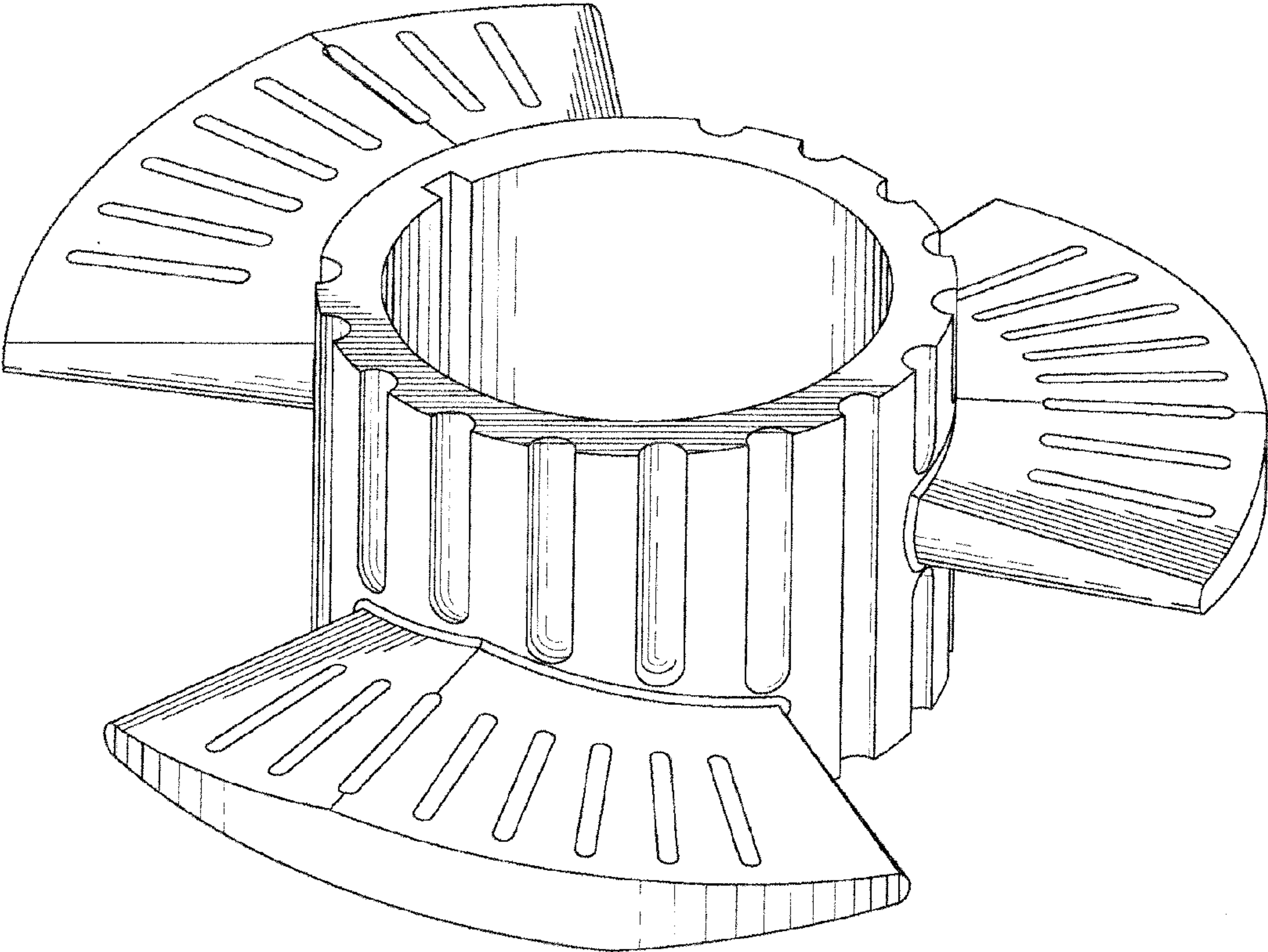


Fig-1

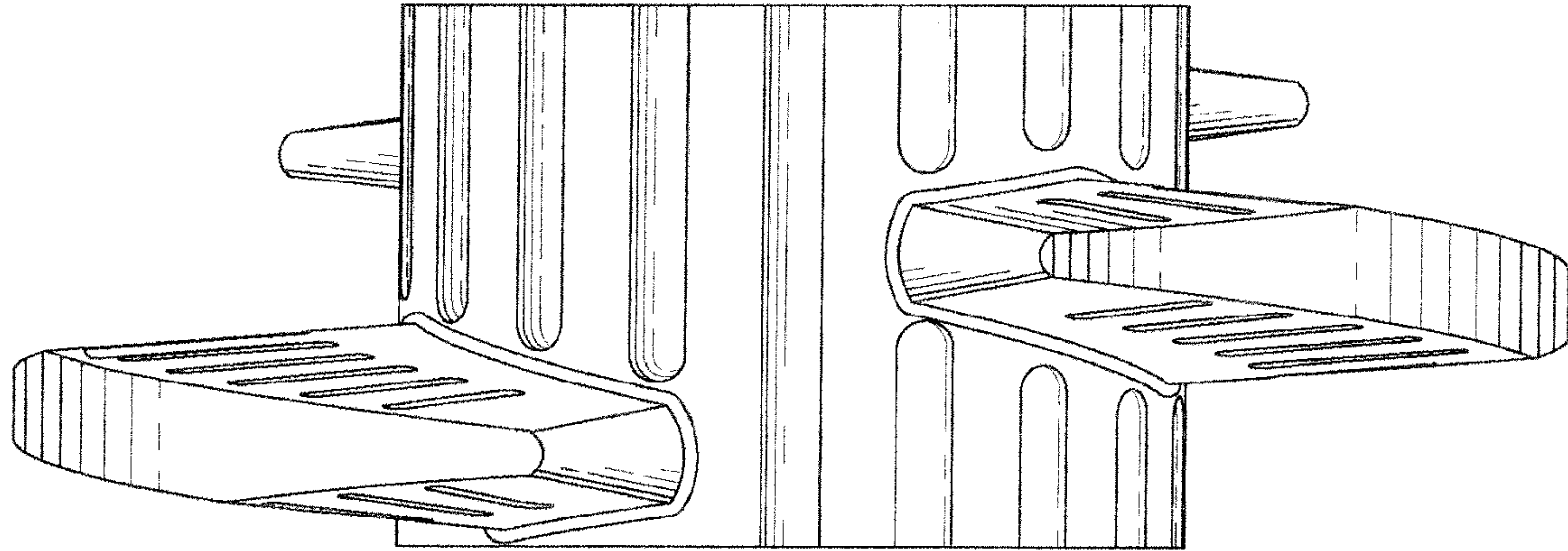


Fig-2

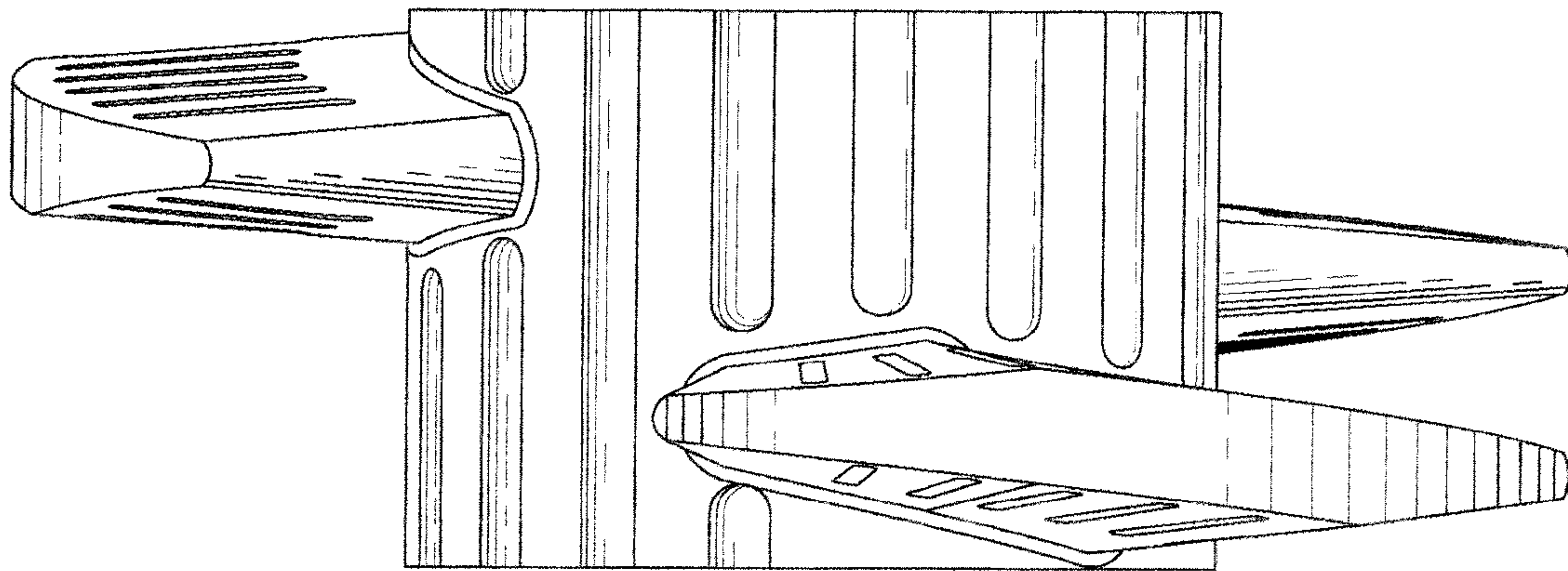


Fig-3

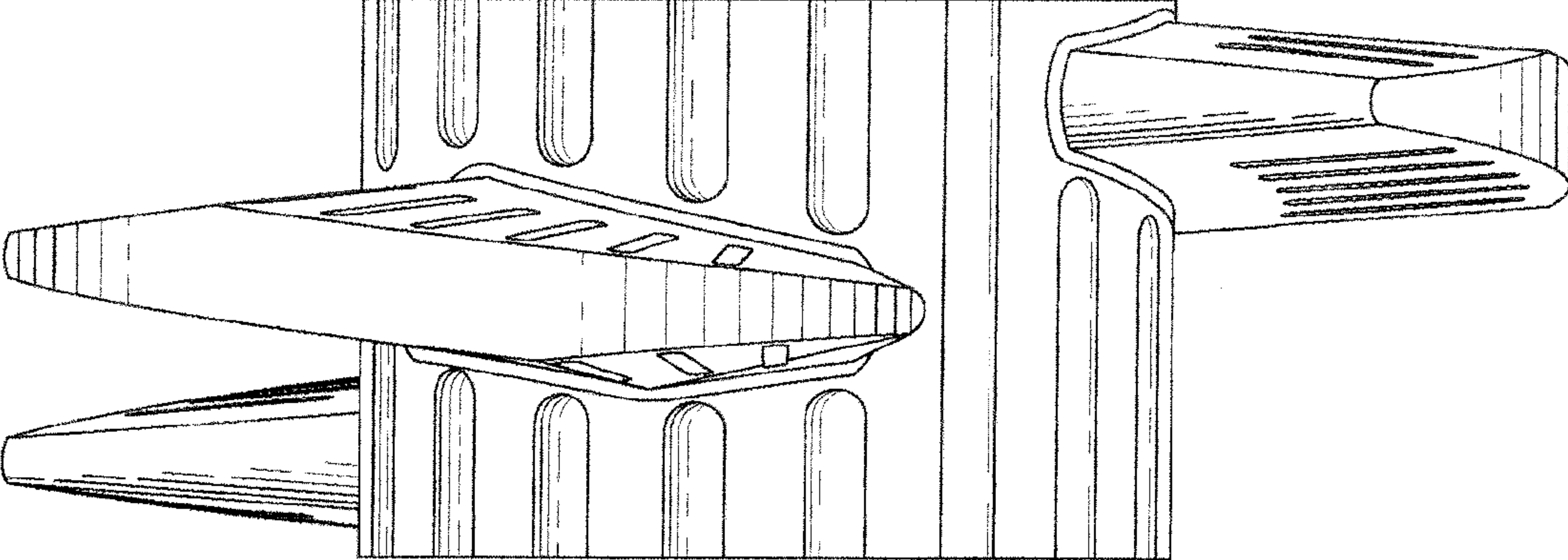


Fig-4

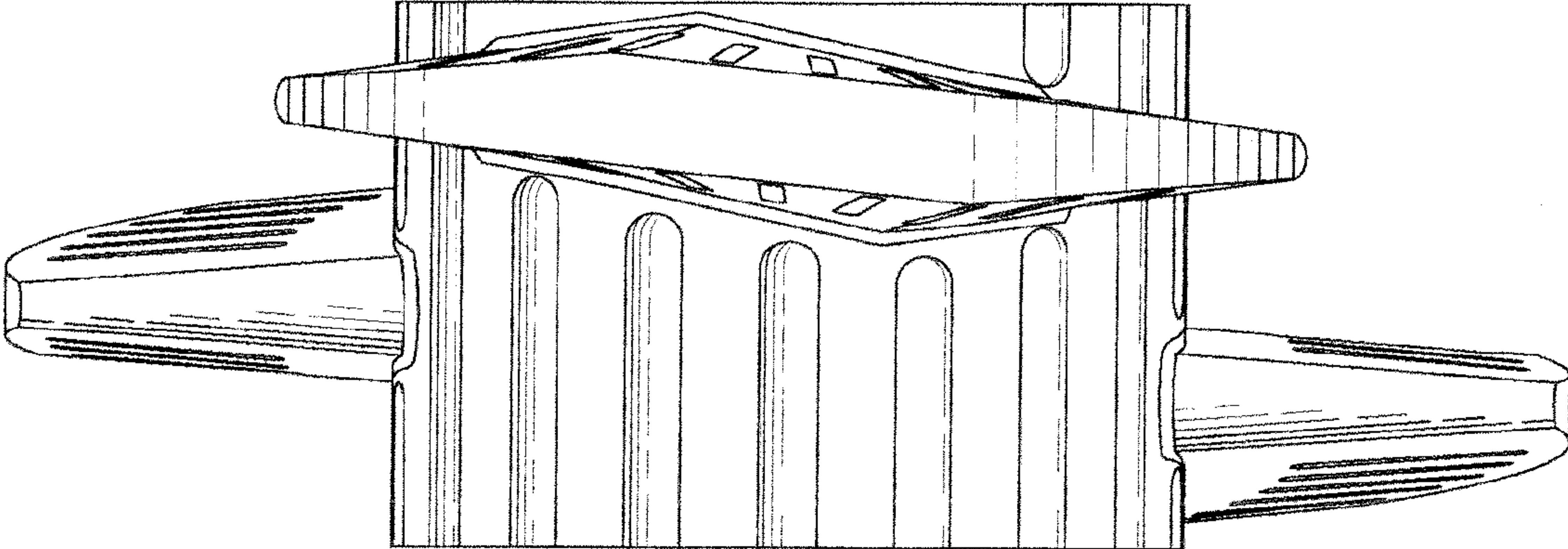


Fig-5

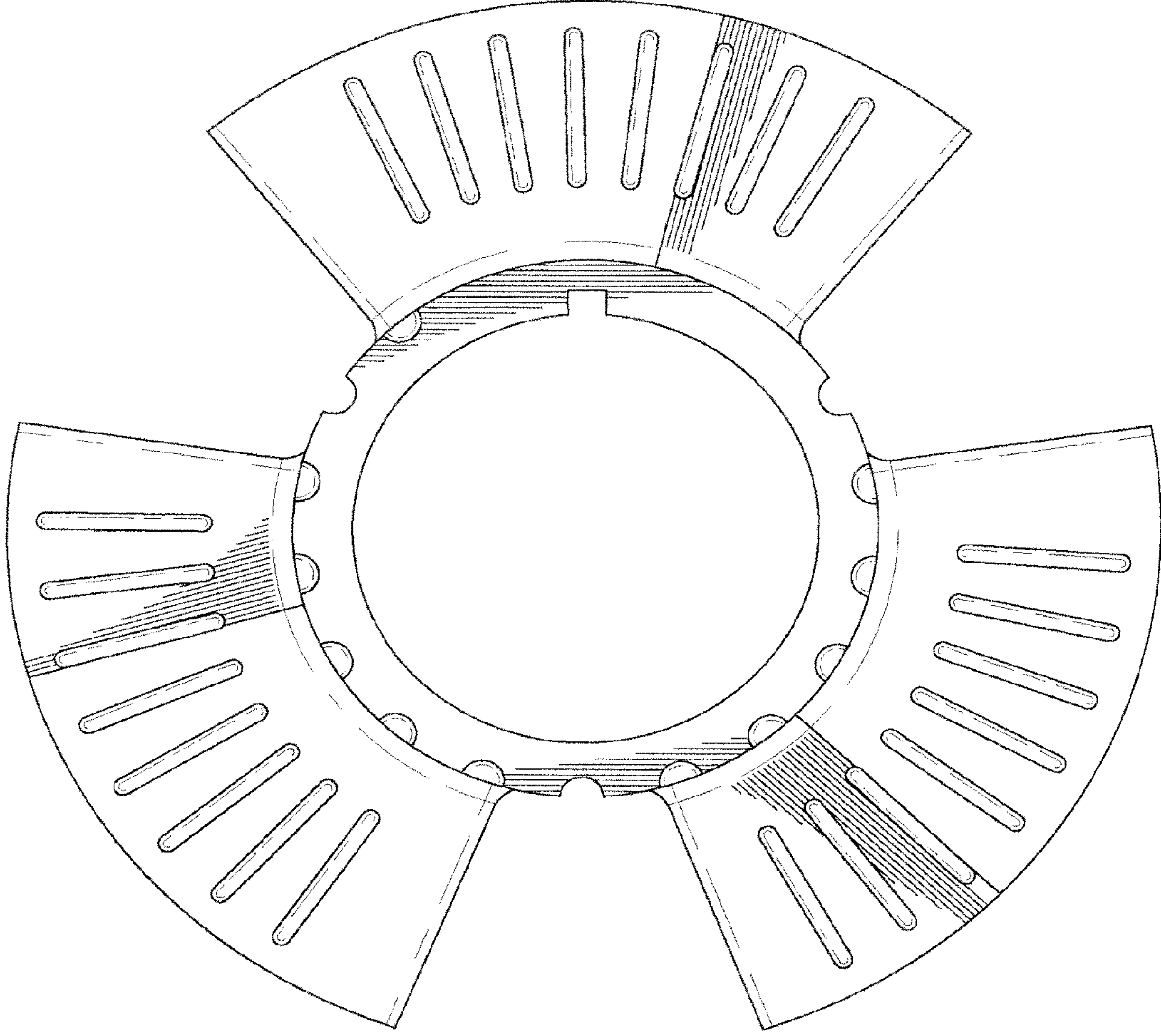


Fig. 6

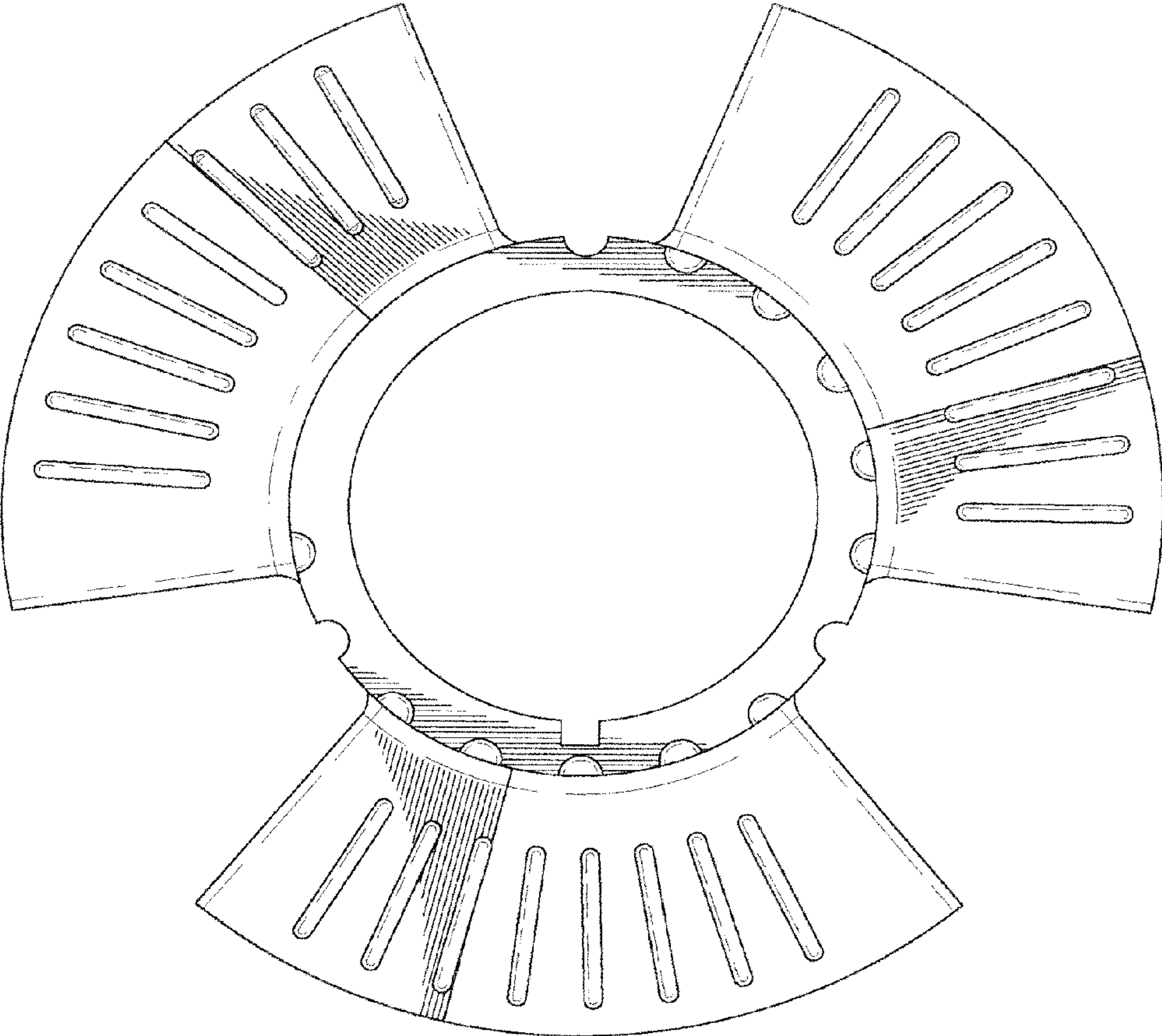


FIG-7