

US00D662520S

(12) **United States Design Patent**  
**Nikkel et al.**

(10) **Patent No.:** **US D662,520 S**  
(45) **Date of Patent:** **\*\* Jun. 26, 2012**

(54) **CUTTING BLADE SUPPORT**

(75) Inventors: **Walter Nikkel**, Curitiba (BR); **Marco Antonio De Souza**, Curitiba (BR)

(73) Assignee: **Blount, Inc.**, Portland, OR (US)

(\*\*) Term: **14 Years**

(21) Appl. No.: **29/369,266**

(22) Filed: **Sep. 3, 2010**

(30) **Foreign Application Priority Data**

Mar. 5, 2010 (BR) ..... DI7000723

(51) **LOC (9) Cl.** ..... **15-03**

(52) **U.S. Cl.** ..... **D15/17; D15/28**

(58) **Field of Classification Search** ..... D15/11,  
D15/12, 14, 15, 17, 28, 29; D8/8; 56/295,  
56/235, 255, 285, 13.6, 289, 17.5, 503, 6,  
56/DIG. 17, DIG. 20; 30/276, 347

See application file for complete search history.

(56) **References Cited**

**U.S. PATENT DOCUMENTS**

|               |         |                   |        |
|---------------|---------|-------------------|--------|
| 582,966 A     | 5/1897  | Twiss             |        |
| D31,716 S     | 10/1899 | Bolton            |        |
| D32,191 S     | 2/1900  | Fuller            |        |
| D85,612 S     | 11/1931 | Gaynor            |        |
| D174,375 S *  | 4/1955  | Cole              | D15/17 |
| 2,983,057 A * | 5/1961  | Erickson          | 37/243 |
| D201,710 S    | 7/1965  | Monek             |        |
| D248,474 S *  | 7/1978  | Oosterling et al. | D15/29 |
| 4,109,380 A   | 8/1978  | Anderson          |        |
| D268,641 S    | 4/1983  | Bonforte          |        |
| D274,815 S *  | 7/1984  | Ehrler et al.     | D15/17 |
| D280,903 S *  | 10/1985 | Barbula           | D8/7   |
| 4,815,264 A * | 3/1989  | Mijnders          | 56/295 |
| D370,489 S *  | 6/1996  | Taggett et al.    | D15/17 |
| D386,655 S    | 11/1997 | Spirer            |        |
| D396,174 S *  | 7/1998  | Schultz et al.    | D15/17 |
| D410,309 S    | 5/1999  | Schmidt           |        |

|              |         |                |        |
|--------------|---------|----------------|--------|
| D412,230 S   | 7/1999  | Schmidt        |        |
| D448,779 S * | 10/2001 | Neuerburg      | D15/17 |
| D449,053 S * | 10/2001 | Neuerburg      | D15/17 |
| D449,314 S * | 10/2001 | Neuerburg      | D15/17 |
| D449,623 S * | 10/2001 | Neuerburg      | D15/17 |
| D450,065 S * | 11/2001 | Neuerburg      | D15/17 |
| D475,575 S   | 6/2003  | Mendenhall     |        |
| D562,357 S * | 2/2008  | Hardy          | D15/29 |
| D566,513 S   | 4/2008  | Marfione       |        |
| D640,289 S * | 6/2011  | Wilhelm        | D15/17 |
| D645,479 S * | 9/2011  | Ehrhart et al. | D15/17 |

**FOREIGN PATENT DOCUMENTS**

|    |               |        |
|----|---------------|--------|
| AU | 2003204322 A1 | 1/2004 |
| GB | 1141833 A     | 2/1969 |

**OTHER PUBLICATIONS**

Langton, M.I., "Methods and Techniques of Sugarcane Harvesting," School of Bioresources Engineering and Environmental Hydrology, University of KwaZulu-Natal, Pietermaritzburg, South Africa, Apr. 2004.

\* cited by examiner

*Primary Examiner* — Mark Goodwin

(74) *Attorney, Agent, or Firm* — Schwabe Williamson & Wyatt

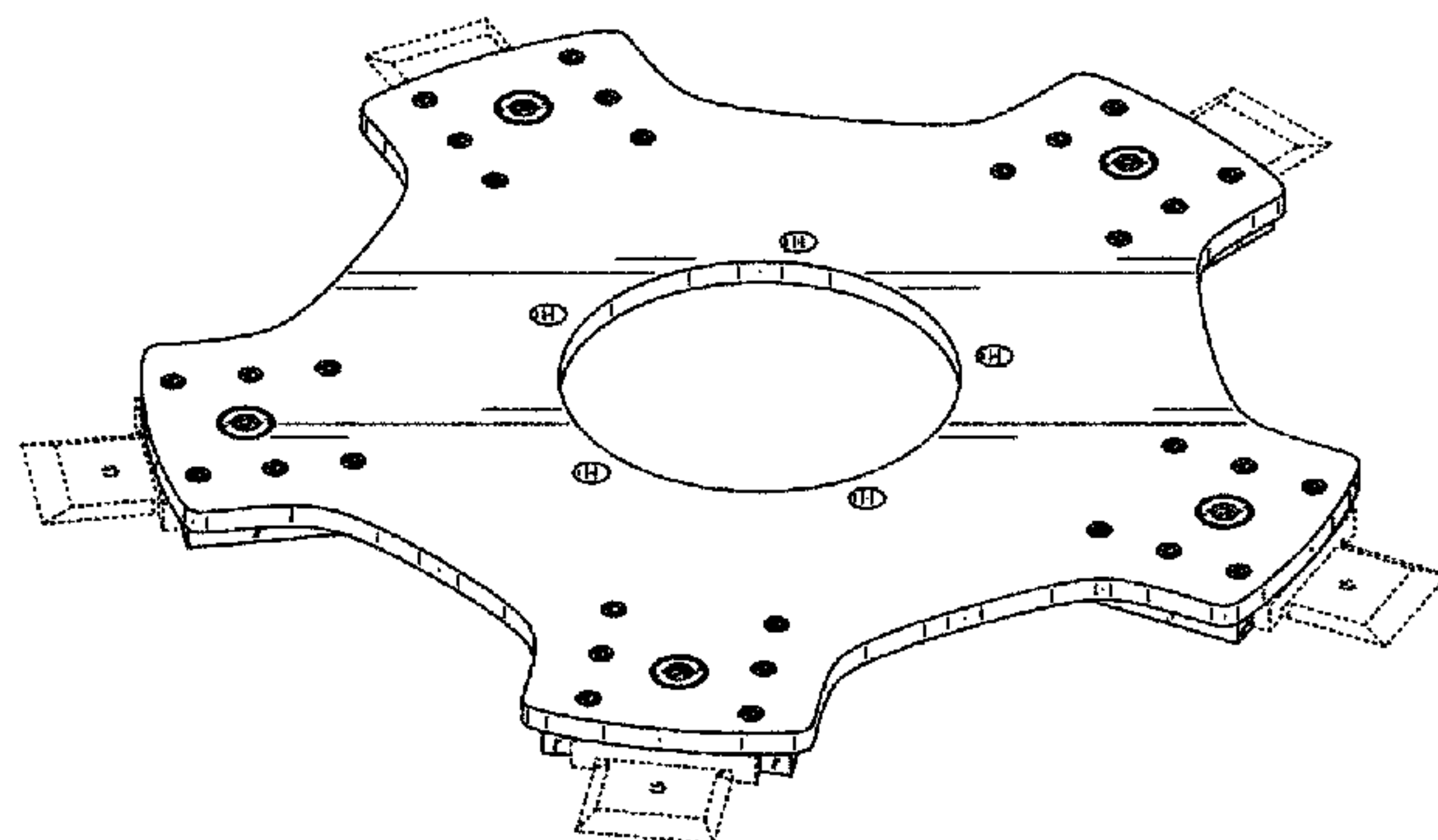
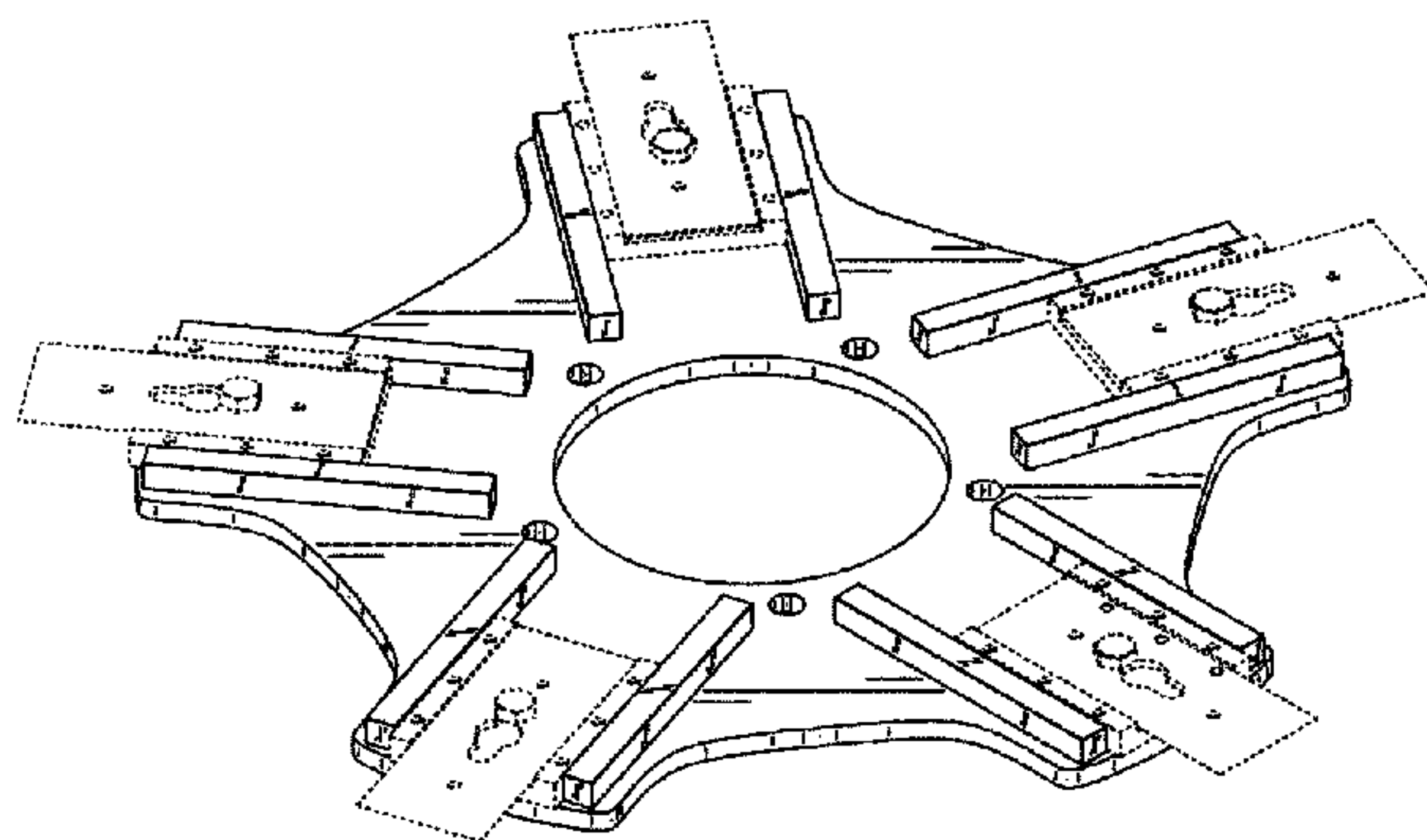
(57) **CLAIM**

The ornamental design for a cutting blade support, as shown and described.

**DESCRIPTION**

FIG. 1 is a bottom perspective view of a cutting blade support showing our new design; FIG. 2 is a bottom plan view thereof; FIG. 3 is a top perspective view thereof; and, FIG. 4 is a top plan view thereof. The broken line showing of blade structures is included for the purpose of illustrating environmental structure only and forms no part of the claimed design.

**1 Claim, 4 Drawing Sheets**



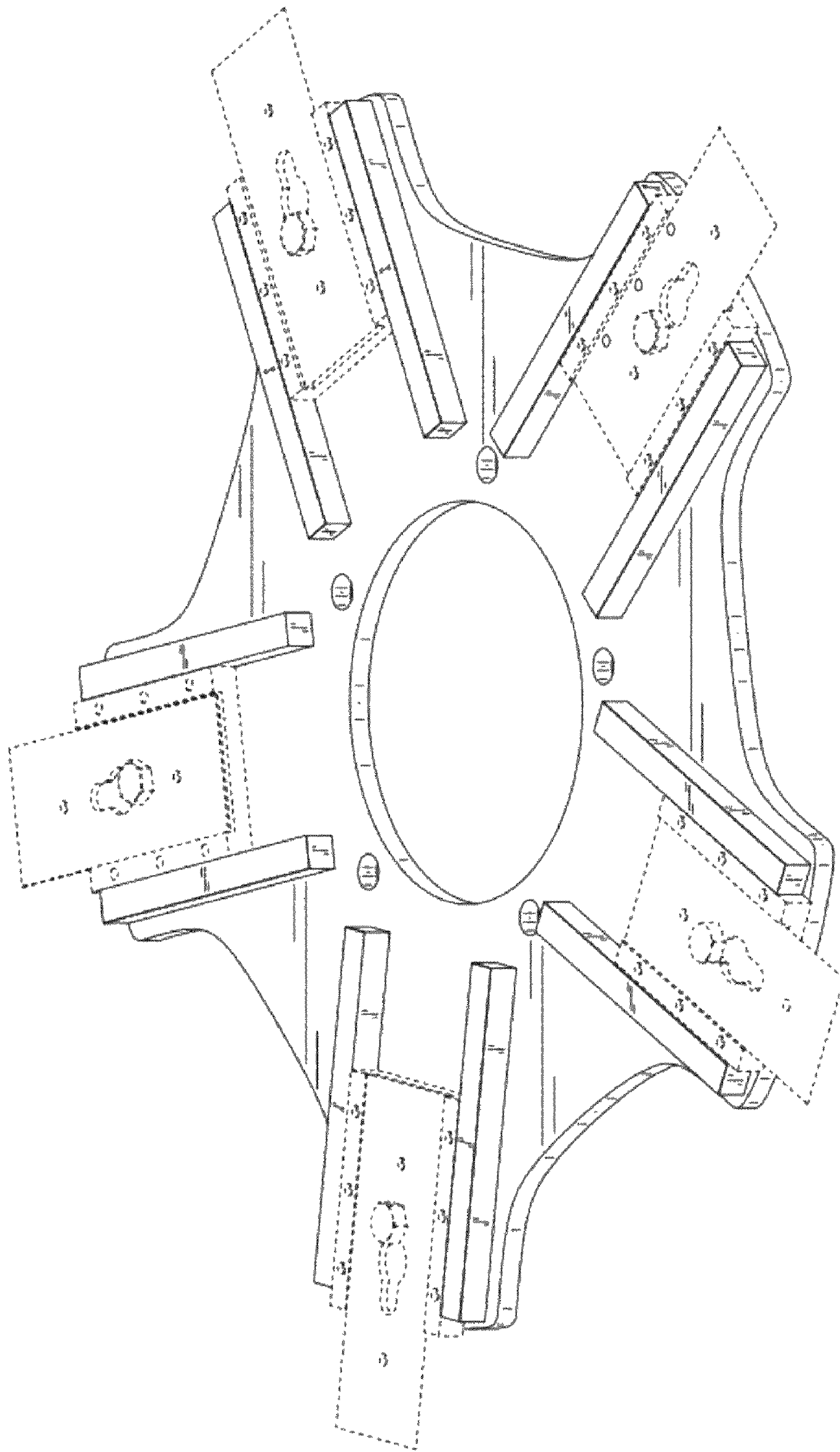


FIG. 1



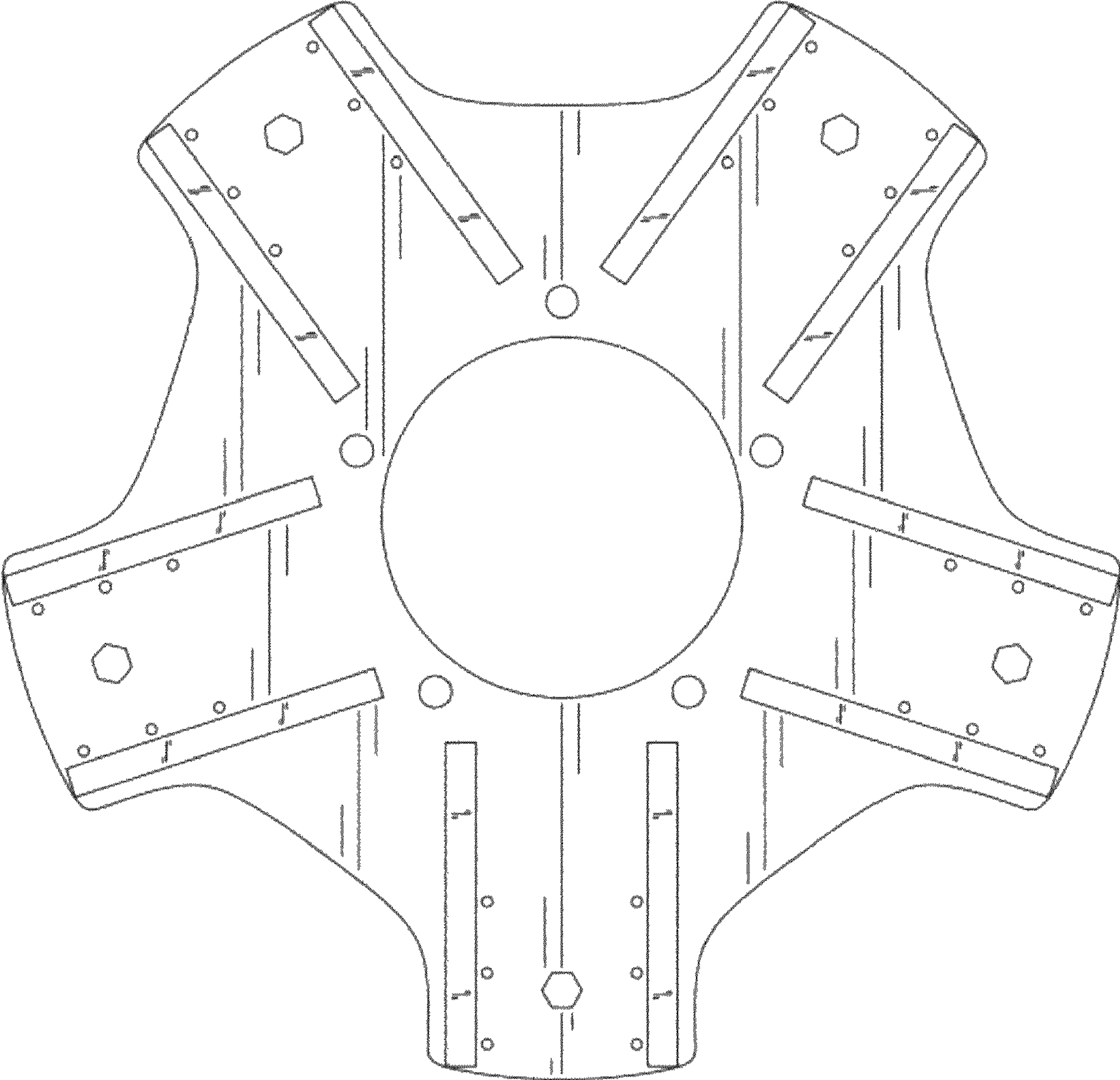


FIG. 2

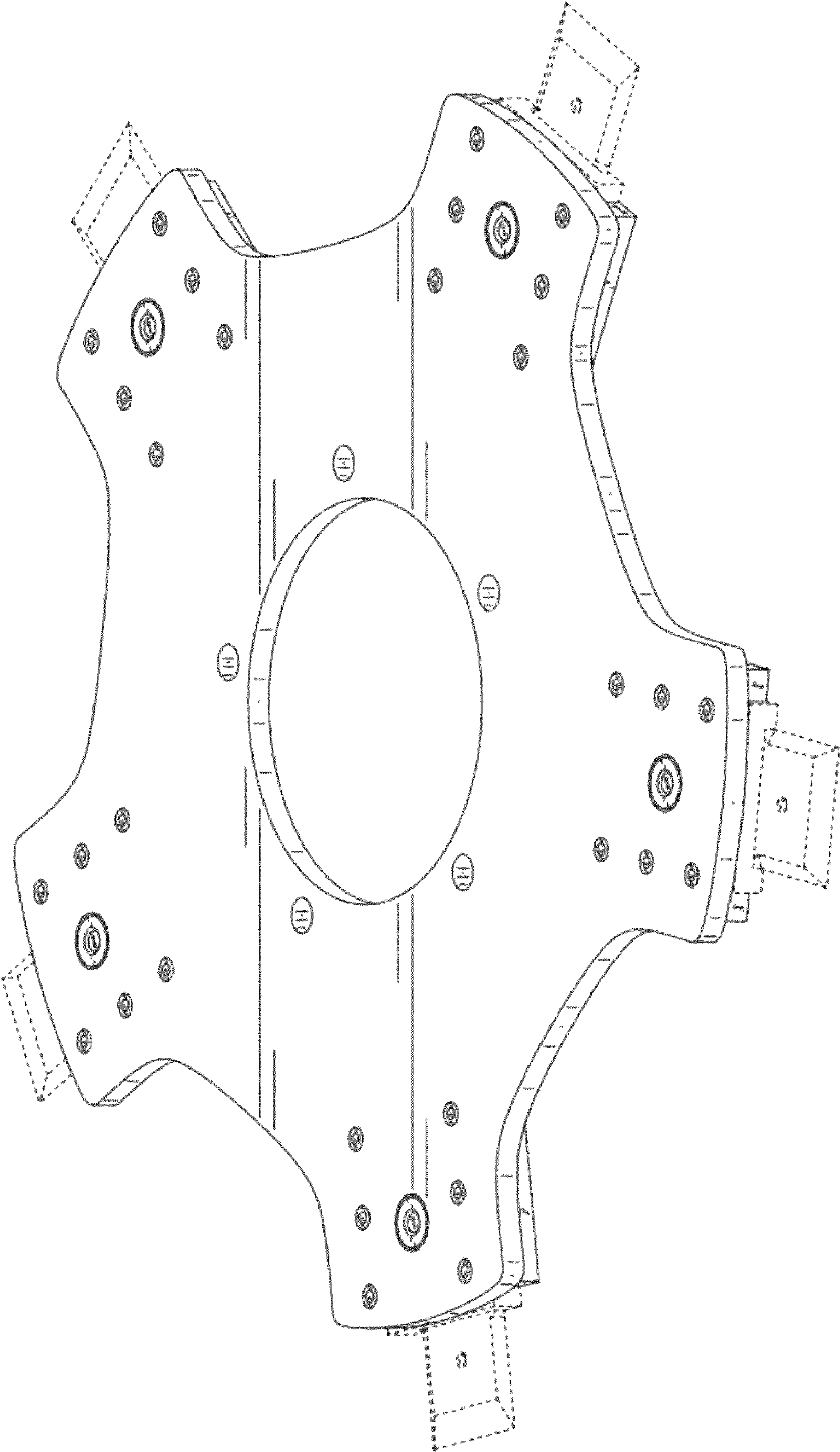


FIG. 3

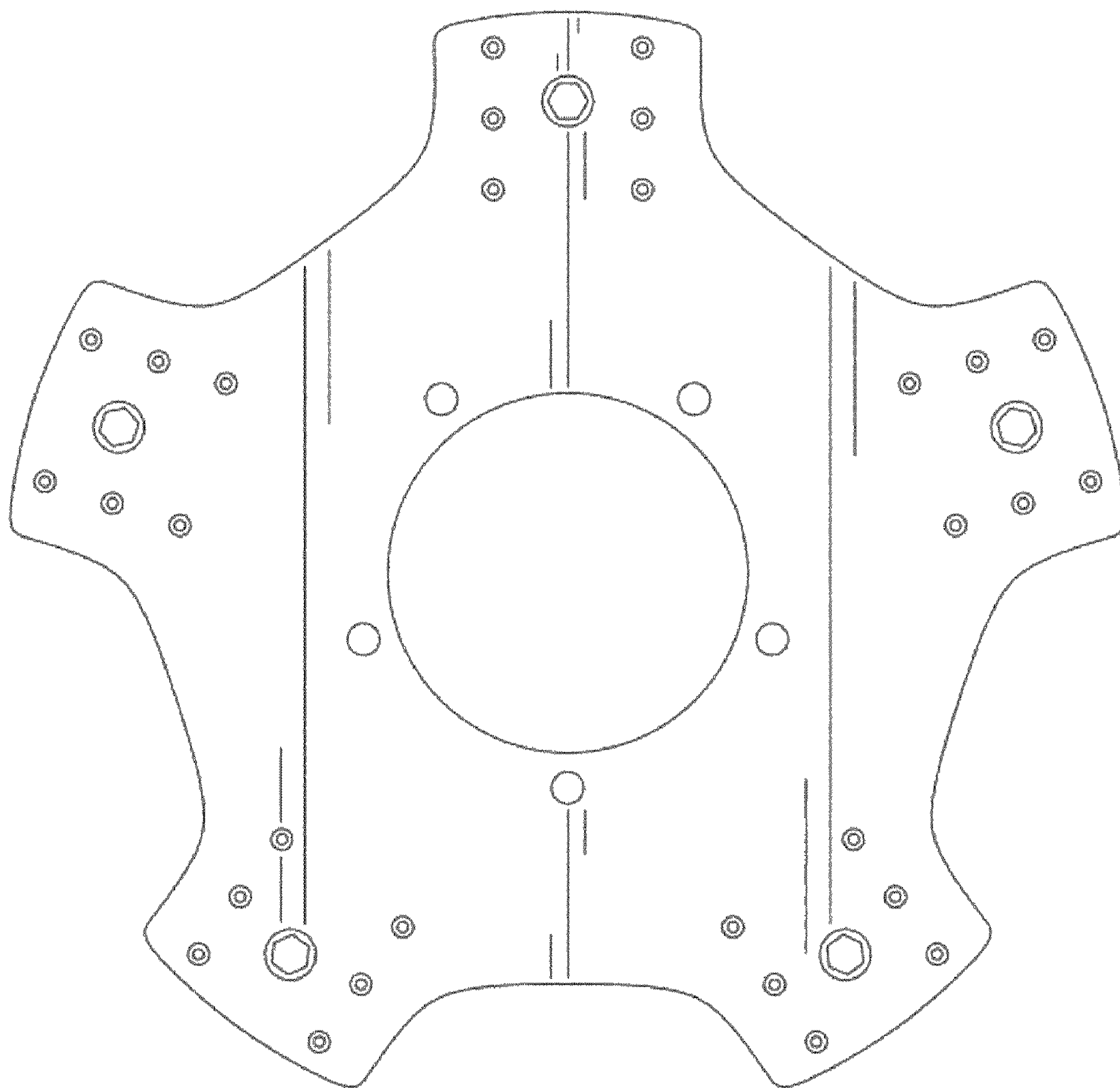


FIG. 4