

US00D662519S

(12) **United States Design Patent**
Anderson

(10) **Patent No.:** **US D662,519 S**
(45) **Date of Patent:** **** Jun. 26, 2012**

(54) **INFLATOR**

(76) Inventor: **Erik E. Anderson**, Cleveland, TN (US)

(**) Term: **14 Years**

(21) Appl. No.: **29/406,860**

(22) Filed: **Nov. 19, 2011**

Related U.S. Application Data

(63) Continuation-in-part of application No. 29/404,863, filed on Oct. 26, 2011.

(51) **LOC (9) Cl.** **15-02**

(52) **U.S. Cl.** **D15/9**

(58) **Field of Classification Search** D15/7-9;
D23/231, 232, 225; 417/60, 235, 265, 321,
417/355, 358, 363, 359, 410.1, 415-416,
417/405, 900; 60/408, 412; 184/26-37;
415/140-147; 123/495, 509
See application file for complete search history.

(56) **References Cited**

U.S. PATENT DOCUMENTS

D270,733 S * 9/1983 Davis D15/9
D453,524 S * 2/2002 Wu D15/7

D466,908 S * 12/2002 Poon D15/7
D512,442 S * 12/2005 Moser, III D15/9
D538,300 S * 3/2007 Moser D15/9
D539,308 S * 3/2007 Moser D15/9
D549,736 S * 8/2007 Moser, III D15/9
D558,231 S * 12/2007 Vivar et al. D15/7
D588,163 S * 3/2009 Moser et al. D15/9
D601,591 S * 10/2009 Chu D15/9
D658,208 S * 4/2012 Moser, III D15/9

* cited by examiner

Primary Examiner — Ralf Seifert

(74) *Attorney, Agent, or Firm* — Frank Marino

(57) **CLAIM**

The ornamental design for an inflator, as shown and described.

DESCRIPTION

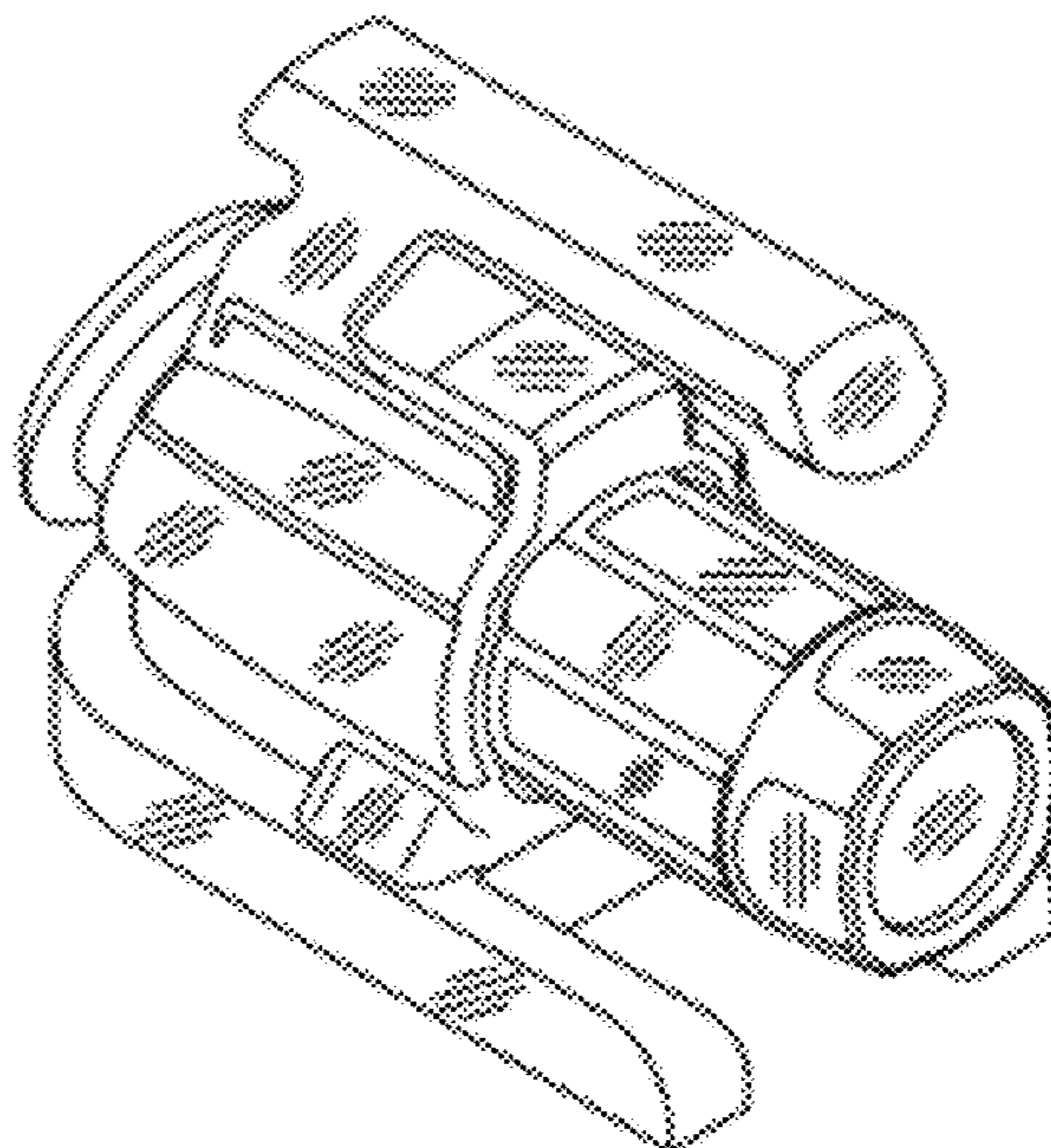
FIG. 1 is a top view of an inflator according to my new design; FIG. 2 is a right side elevation view of the inflator of FIG. 1, the left side elevation view thereof being a mirror image thereof;

FIG. 3 is a front elevation view of the inflator of FIG. 1;

FIG. 4 is a rear elevation view of the inflator of FIG. 1; and, FIG. 5 is a perspective view of the inflator of FIG. 1.

The bottom view forms no part of the claimed design.

1 Claim, 1 Drawing Sheet



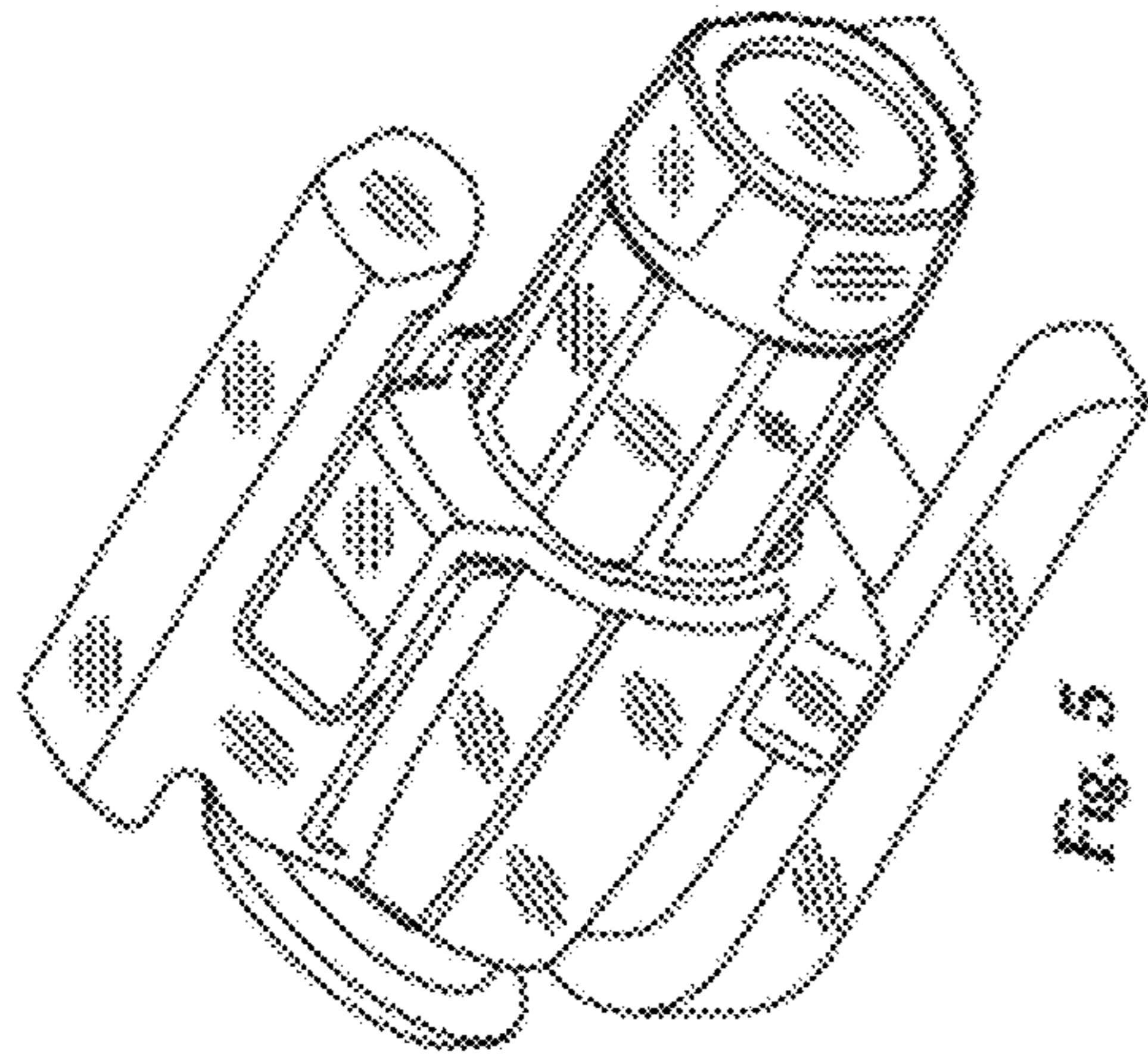


Fig. 5

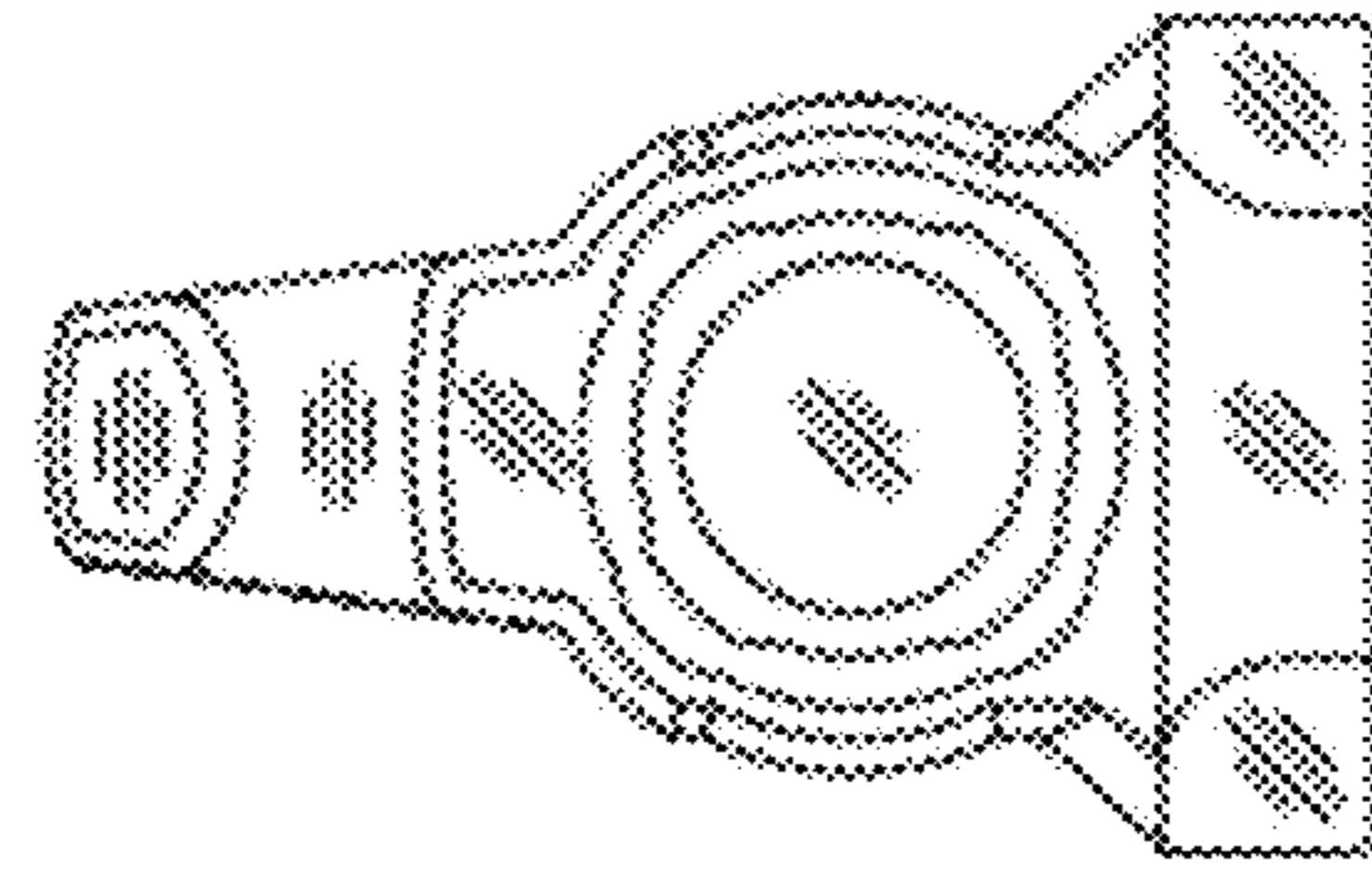


Fig. 3

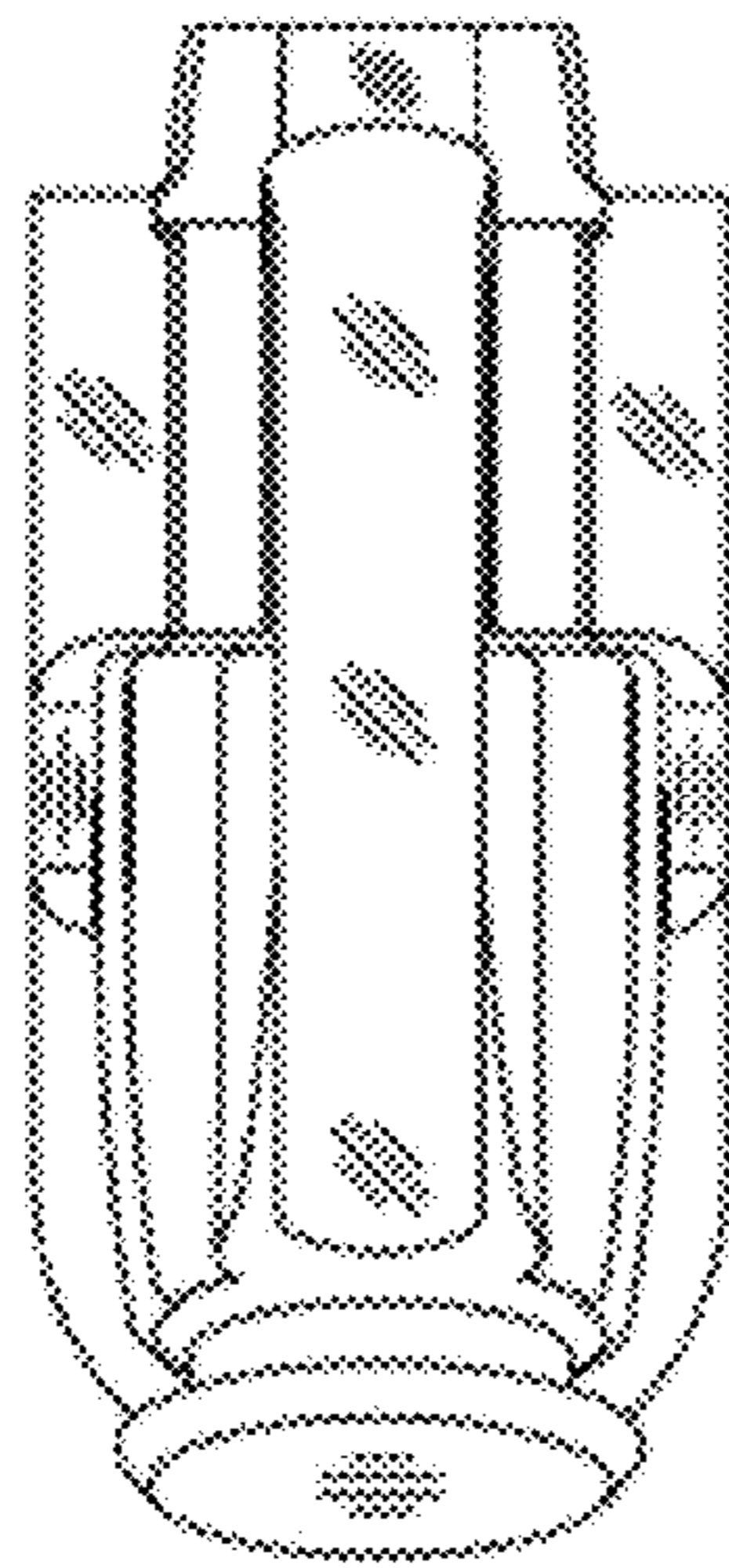


Fig. 1

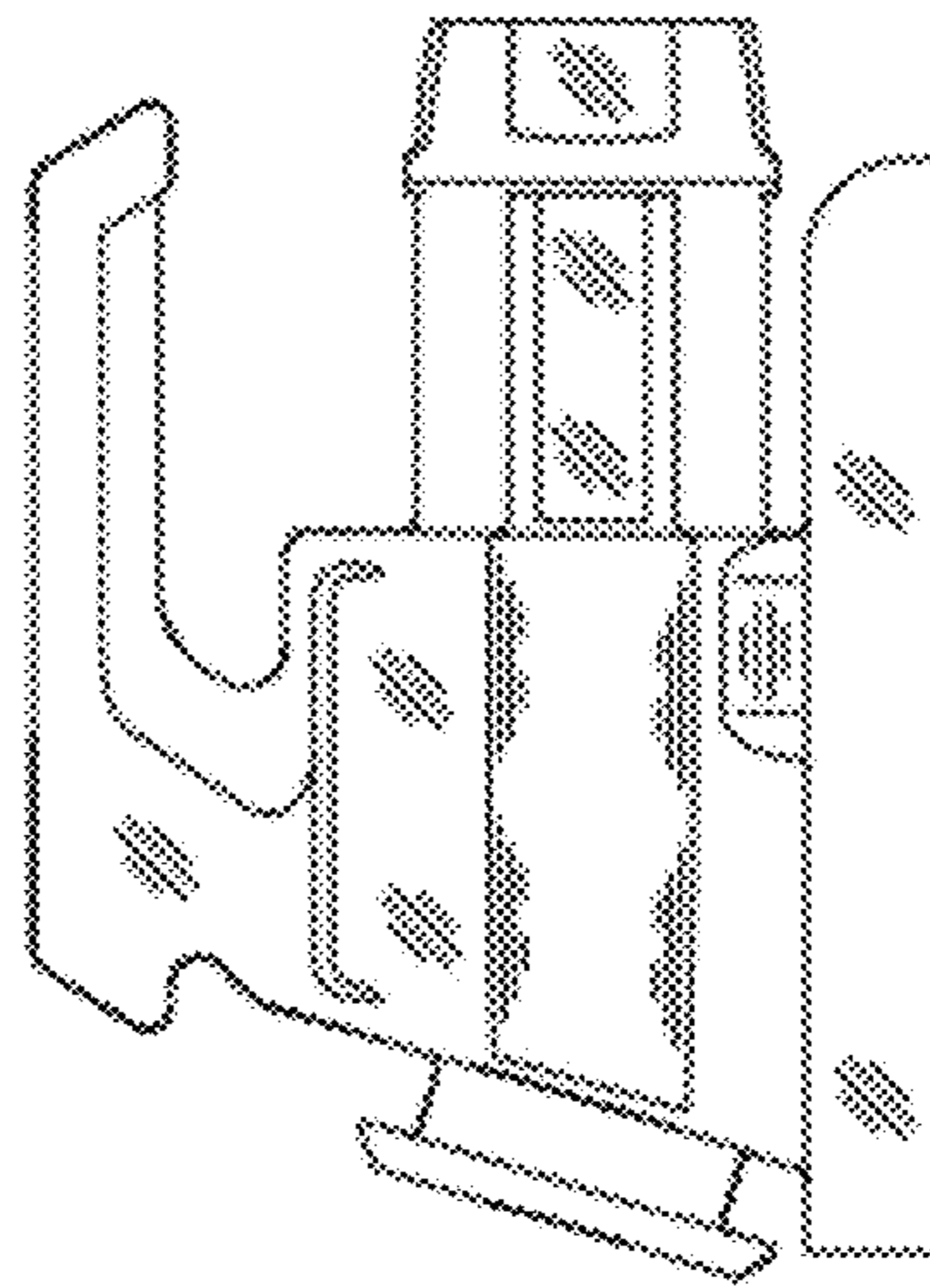


Fig. 2

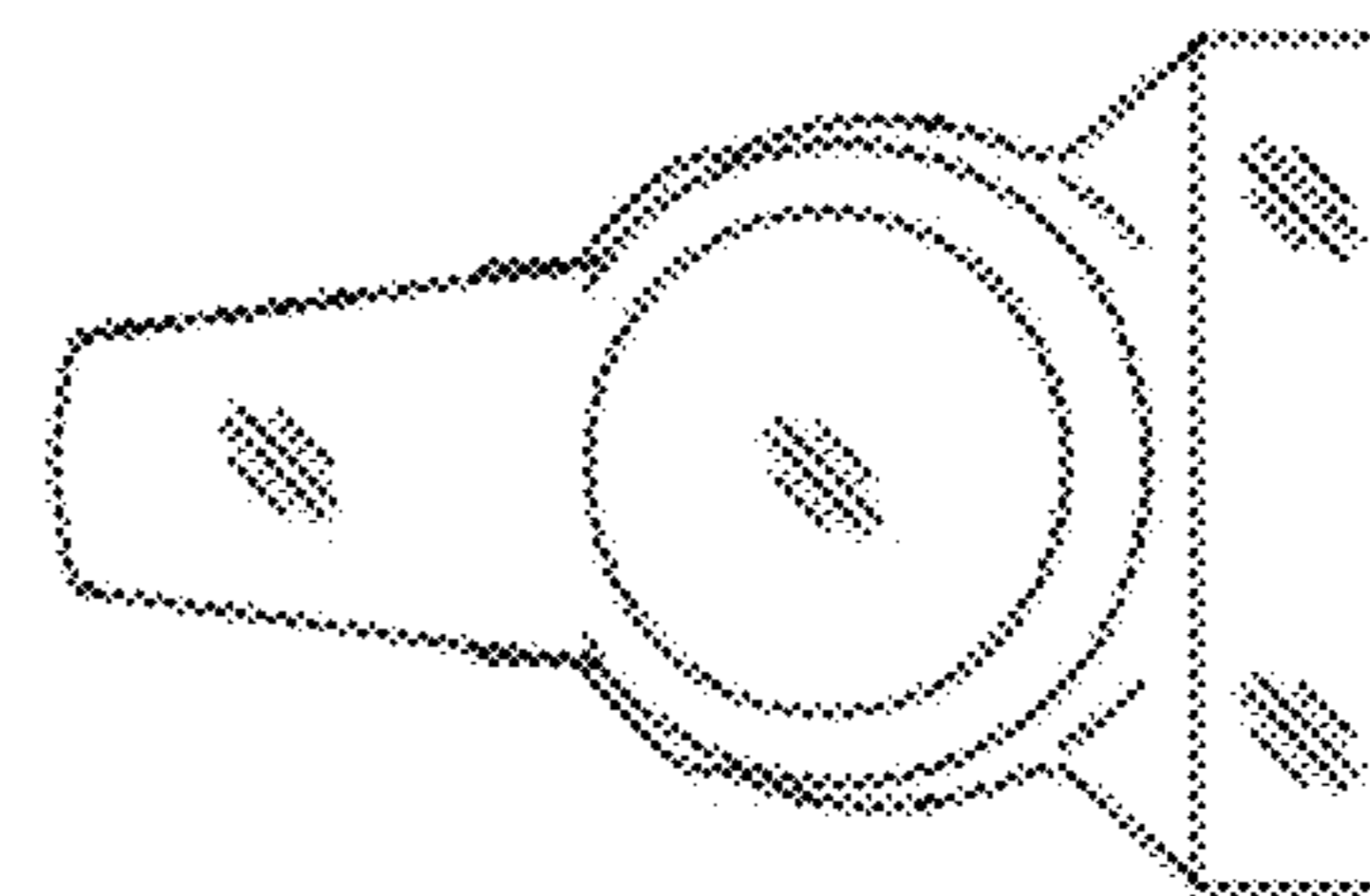


Fig. 4