

US00D662518S

(12) **United States Design Patent**  
**Anderson**

(10) **Patent No.:** **US D662,518 S**

(45) **Date of Patent:** **\*\* Jun. 26, 2012**

(54) **INFLATOR**

(76) Inventor: **Erik E. Anderson**, Cleveland, TN (US)

(\*\*) Term: **14 Years**

(21) Appl. No.: **29/404,863**

(22) Filed: **Oct. 26, 2011**

(51) **LOC (9) Cl.** ..... **15-02**

(52) **U.S. Cl.** ..... **D15/9**

(58) **Field of Classification Search** ..... D15/7-9;  
D23/231, 232, 225; 417/60, 235, 265, 321,  
417/355, 358, 363, 359, 410.1, 415-416,  
417/405, 900; 60/408, 412; 184/26-37;  
415/140-147; 123/495, 509

See application file for complete search history.

(56) **References Cited**

**U.S. PATENT DOCUMENTS**

D270,733 S *	9/1983	Davis	.....	D15/9
D453,524 S *	2/2002	Wu	.....	D15/7
D466,908 S *	12/2002	Poon	.....	D15/7
D512,442 S *	12/2005	Moser, III	.....	D15/9
D538,300 S *	3/2007	Moser	.....	D15/9

D539,308 S *	3/2007	Moser	.....	D15/9
D549,736 S *	8/2007	Moser, III	.....	D15/9
D558,231 S *	12/2007	Vivar et al.	.....	D15/7
D588,163 S *	3/2009	Moser et al.	.....	D15/9
D601,591 S *	10/2009	Chu	.....	D15/9
D658,208 S *	4/2012	Moser, III	.....	D15/9

\* cited by examiner

*Primary Examiner* — Ralf Seifert

(74) *Attorney, Agent, or Firm* — Frank Marino

(57) **CLAIM**

The ornamental design for an inflator, as shown and described.

**DESCRIPTION**

FIG. 1 is a top view of an inflator according to my new design; FIG. 2 is a right side elevation view of the inflator of FIG. 1, the left side elevation view thereof being a mirror image thereof;

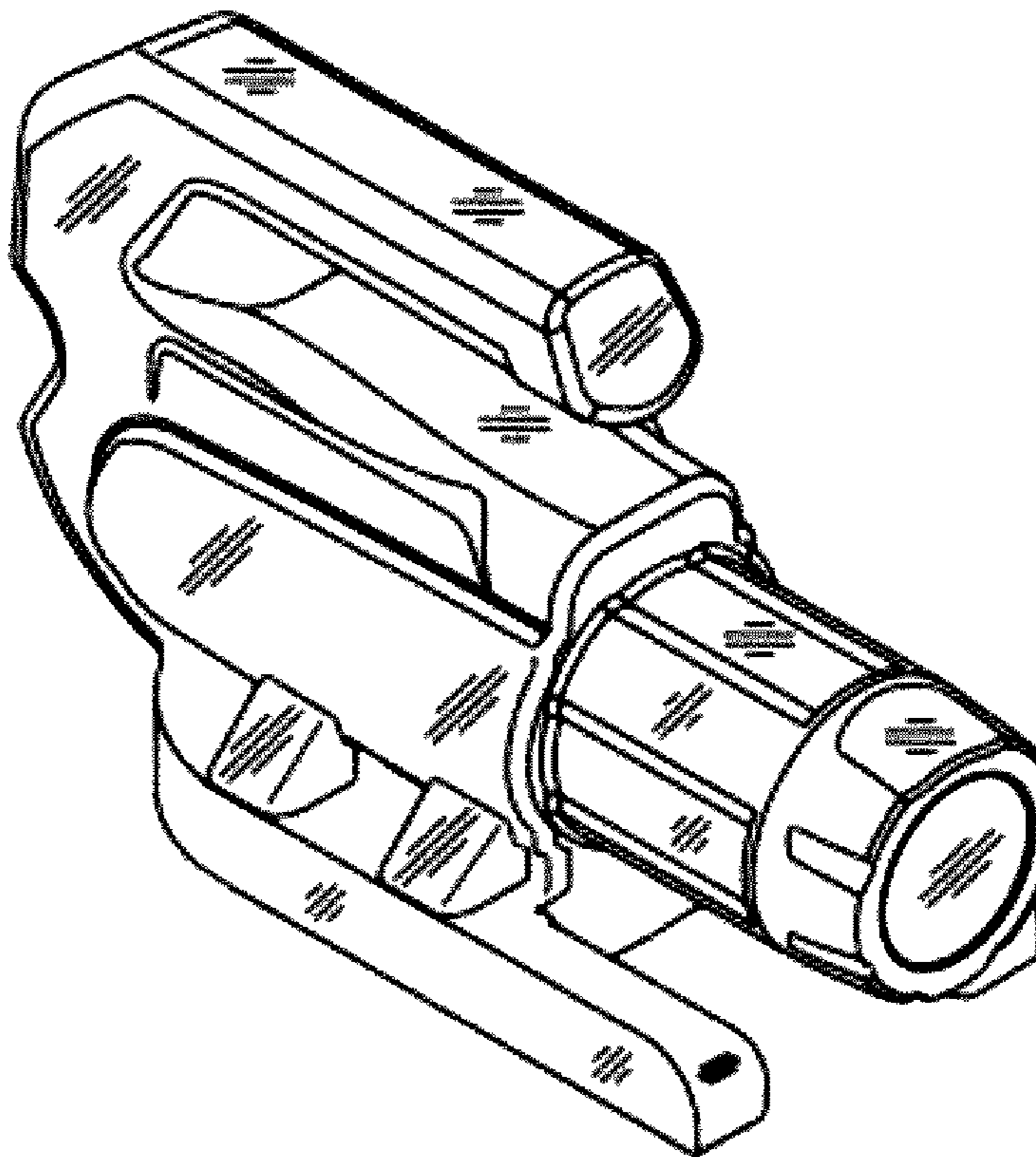
FIG. 3 is a front elevation view of the inflator of FIG. 1;

FIG. 4 is a rear elevation view of the inflator of FIG. 1; and,

FIG. 5 is a perspective view of the inflator of FIG. 1.

The bottom view forms no part of the claimed design.

**1 Claim, 1 Drawing Sheet**



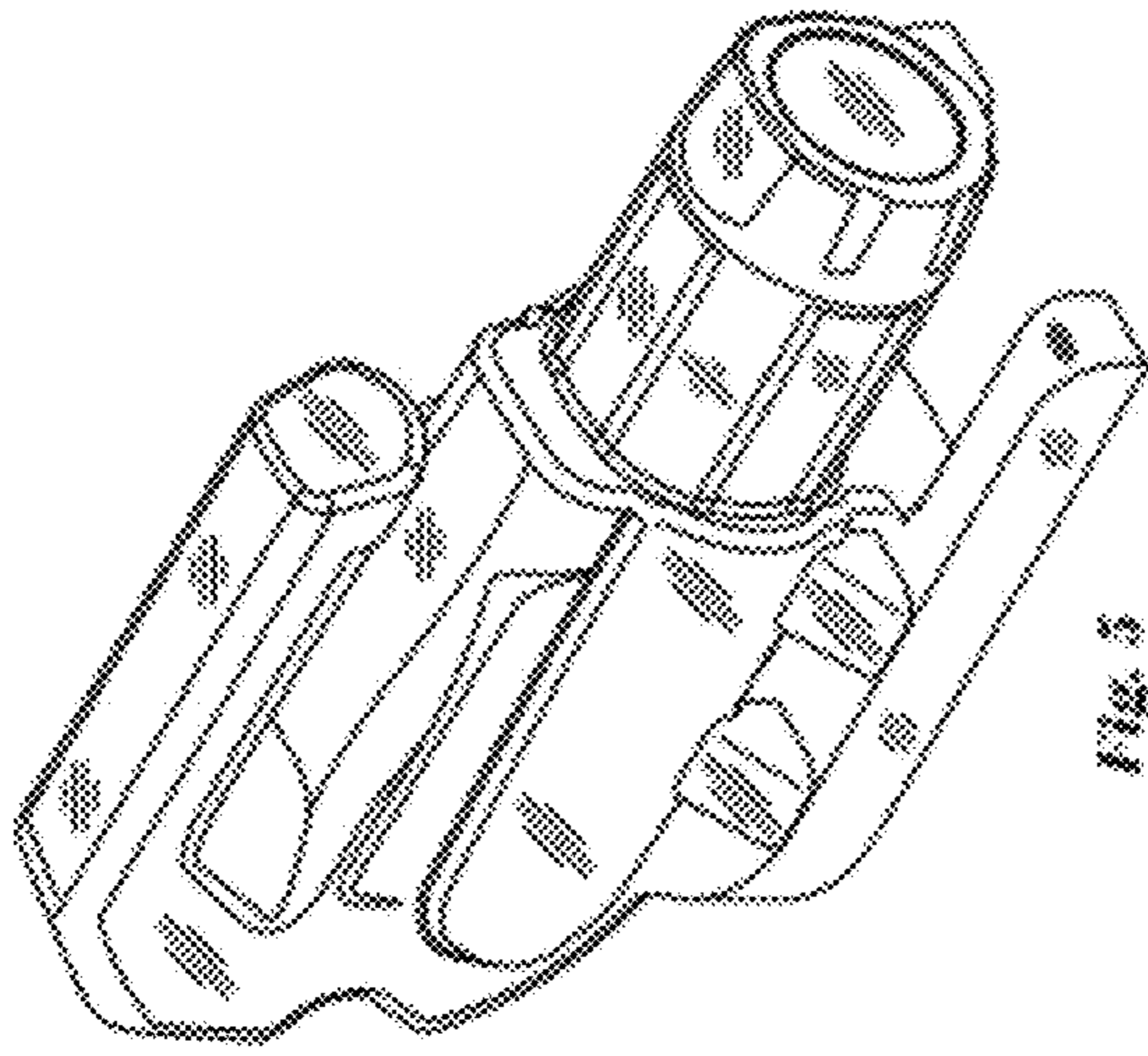


Fig. 5

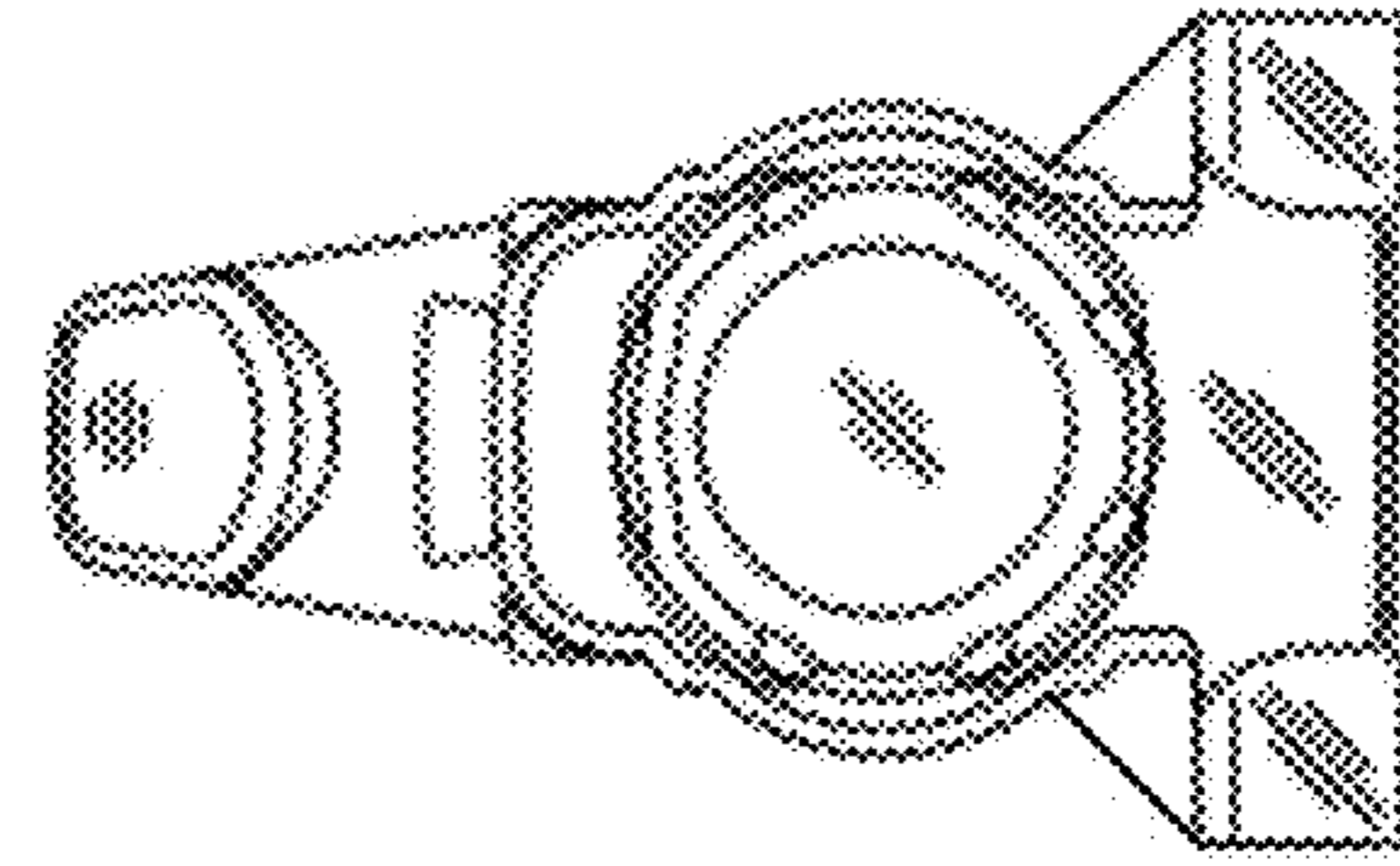


Fig. 3

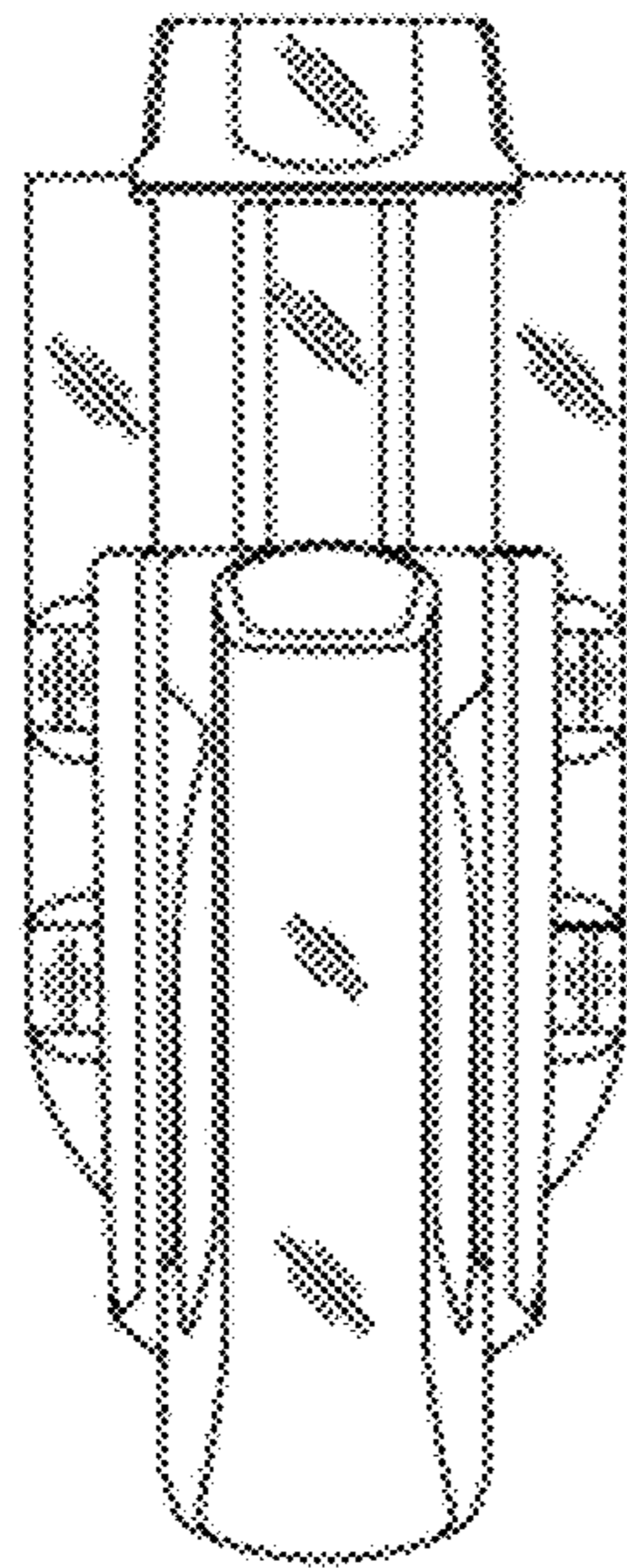


Fig. 1

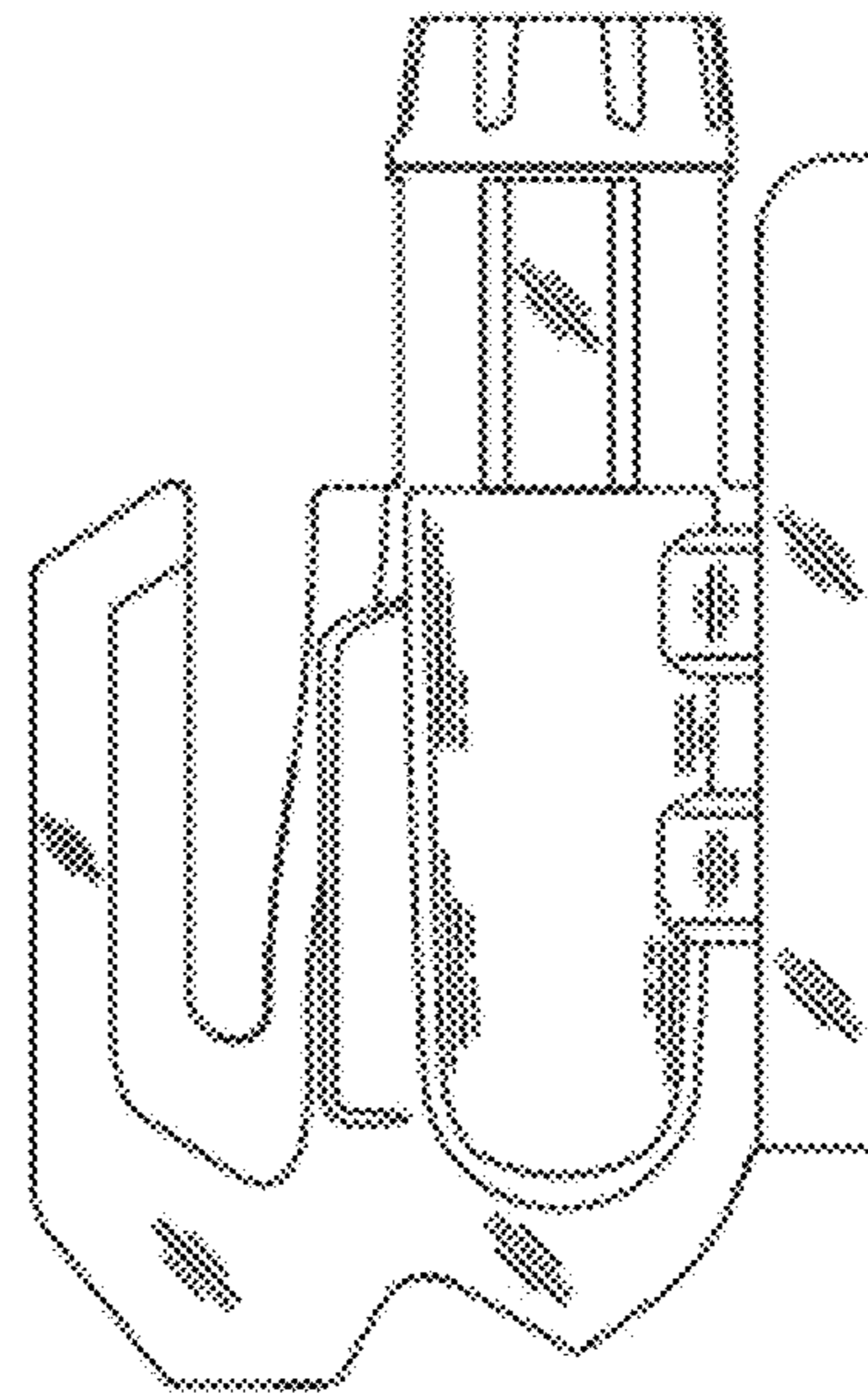


Fig. 2

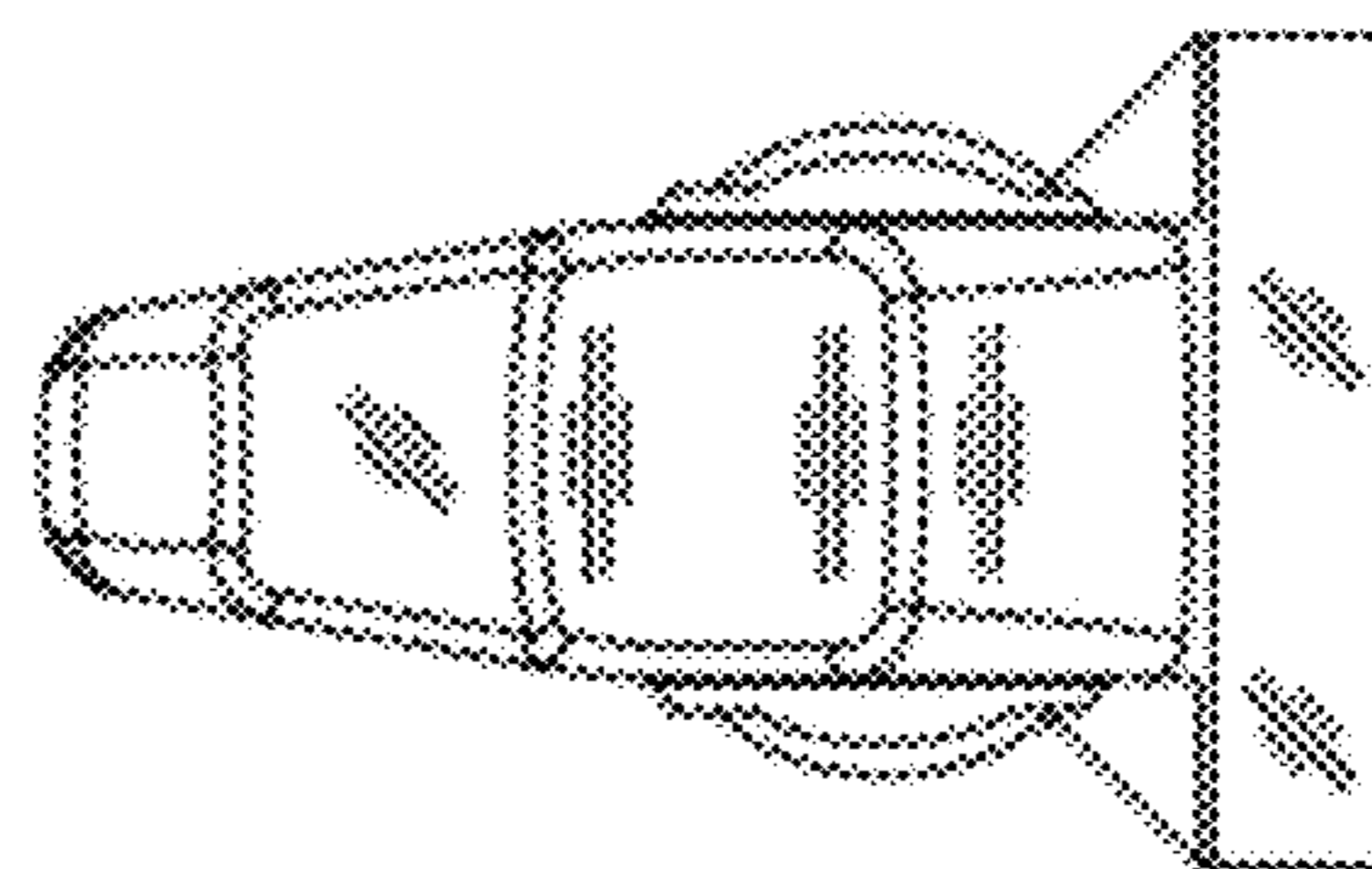


Fig. 4