



US00D662517S

(12) **United States Design Patent**
Hawkins

(10) **Patent No.:** **US D662,517 S**
(45) **Date of Patent:** **** Jun. 26, 2012**

(54) **FRAME FOR A WHEELED, MANUALLY MOVEABLE AIR COMPRESSOR**

(76) Inventor: **Bobby L. Hawkins**, Travelers Rest, SC (US)

(**) Term: **14 Years**

(21) Appl. No.: **29/379,211**

(22) Filed: **Nov. 16, 2010**

(51) **LOC (9) Cl.** **15-02**

(52) **U.S. Cl.** **D15/9**

(58) **Field of Classification Search** D15/7-9;
D23/231, 232, 225; 417/60, 235, 265, 321,
417/355, 358, 363, 359, 410.1, 415-416,
417/405, 900; 60/408, 412; 184/26-37;
415/140-147; 123/495, 509

See application file for complete search history.

(56) **References Cited**

U.S. PATENT DOCUMENTS

D243,282	S	2/1977	Burenga	
4,077,747	A	3/1978	Burenga	
D273,011	S	3/1984	Dudley	
D445,115	S	7/2001	Hutchinson et al.	
6,468,048	B1	10/2002	Burkholder et al.	
6,551,066	B2	4/2003	Saylor et al.	
6,582,201	B2	6/2003	Lucchi	
D500,050	S *	12/2004	Lucchi	D15/7
D500,052	S *	12/2004	Lucchi	D15/9
D500,328	S *	12/2004	Lucchi	D15/9
7,029,240	B2	4/2006	Baron et al.	
D529,518	S *	10/2006	Buck	D15/9
7,131,824	B2	11/2006	Baron	
D539,310	S *	3/2007	Matsuoka et al.	D15/9
D559,273	S *	1/2008	Hernandez et al.	D15/9
D574,020	S	7/2008	Buck et al.	
D602,503	S *	10/2009	Lucchi	D15/9
D603,872	S *	11/2009	Averill et al.	D15/9
D604,746	S *	11/2009	Nishido et al.	D15/7
D618,707	S *	6/2010	Schuetz et al.	D15/7
2008/0240936	A1	10/2008	Ritterling et al.	

OTHER PUBLICATIONS

Owner'S Manual, Model TAC-2T, Commercial Dual Tank Compressor, Titan Industries, Revision #030428A, Apr. 8, 2003.

* cited by examiner

Primary Examiner — Ralf Seifert

(74) *Attorney, Agent, or Firm* — Dority & Manning, P.A.

(57) **CLAIM**

The ornamental design for a frame for a wheeled, manually moveable air compressor, as shown and described.

DESCRIPTION

FIG. 1 is an elevated perspective view of a presently preferred embodiment of the frame for a wheeled, manually moveable air compressor;

FIG. 2 is a plan view of the right side of a presently preferred embodiment of the frame for a wheeled, manually moveable air compressor, the left side plan view being a mirror image thereof;

FIG. 3 is a plan view of the left side of a presently preferred embodiment of the frame for a wheeled, manually moveable air compressor, the right side plan view being a mirror image thereof;

FIG. 4 is a front view of a presently preferred embodiment of the frame for a wheeled, manually moveable air compressor;

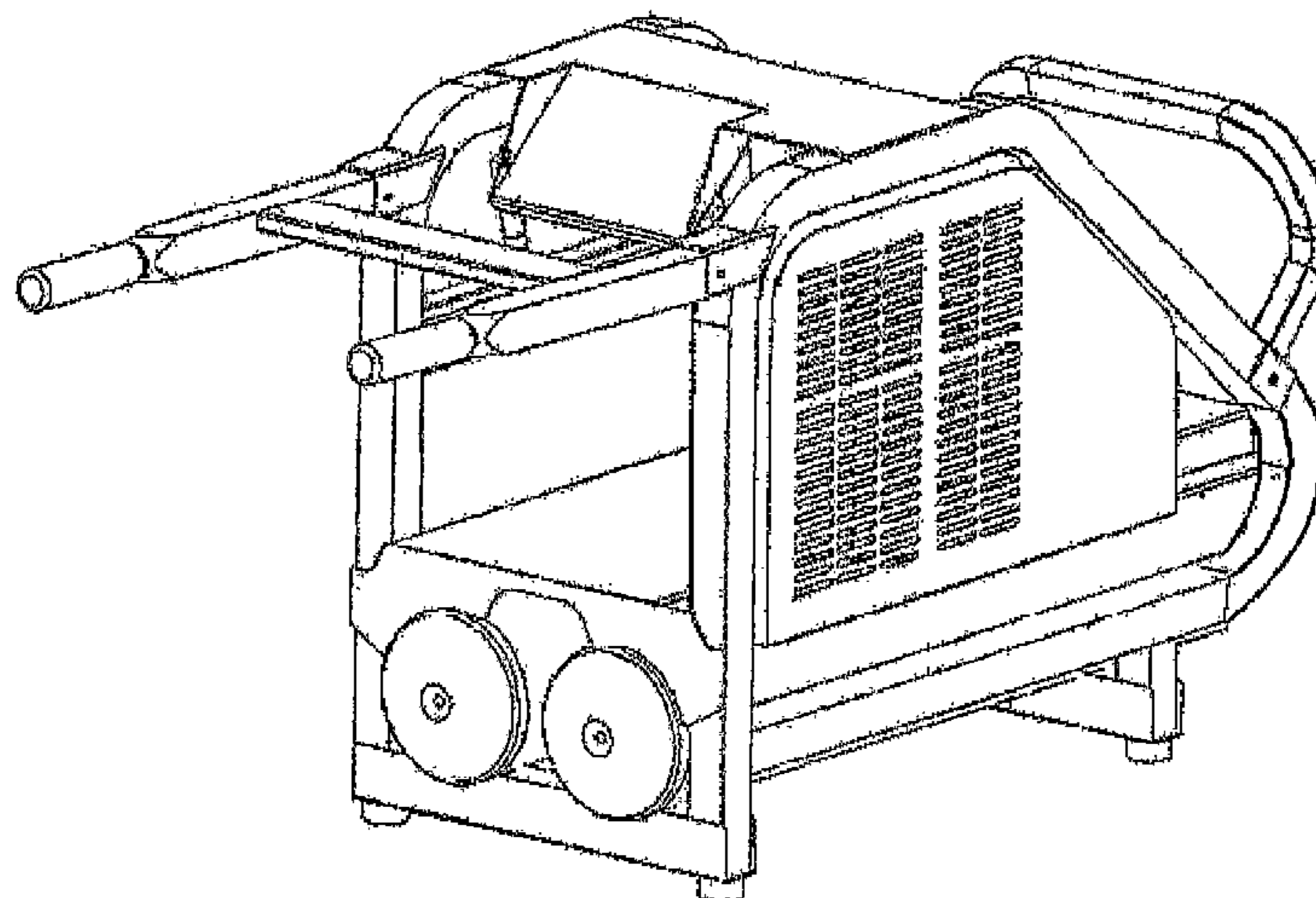
FIG. 5 is a rear view of a presently preferred embodiment of the frame for a wheeled, manually moveable air compressor;

FIG. 6 is a top view of a presently preferred embodiment of the frame for a wheeled, manually moveable air compressor;

FIG. 7 is a bottom view of a presently preferred embodiment of the frame for a wheeled, manually moveable air compressor; and,

FIG. 8 is an elevated perspective view of the embodiment of FIGS. 1-7, but from the opposite side of the view shown in FIG. 1.

1 Claim, 8 Drawing Sheets



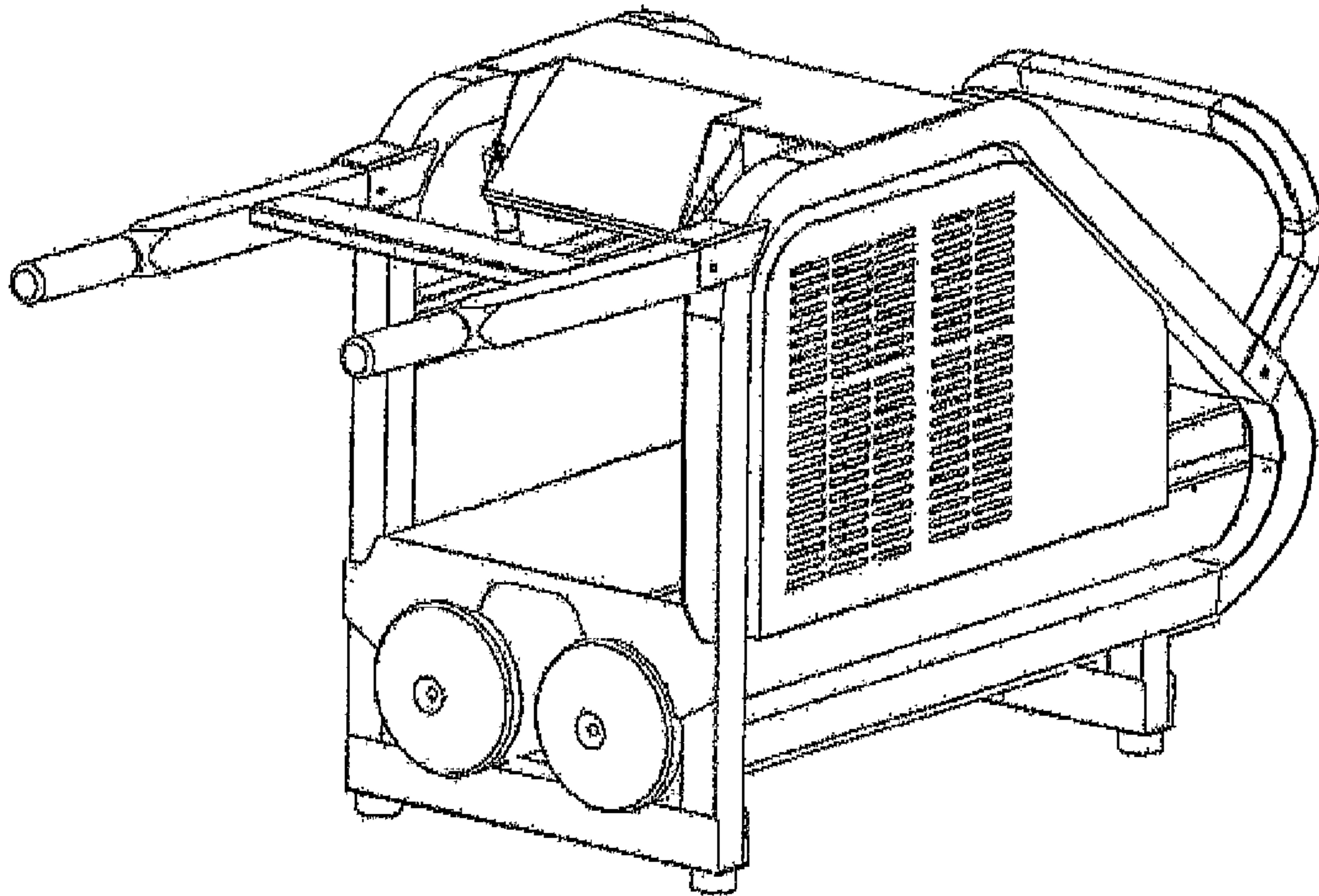


Fig. 1

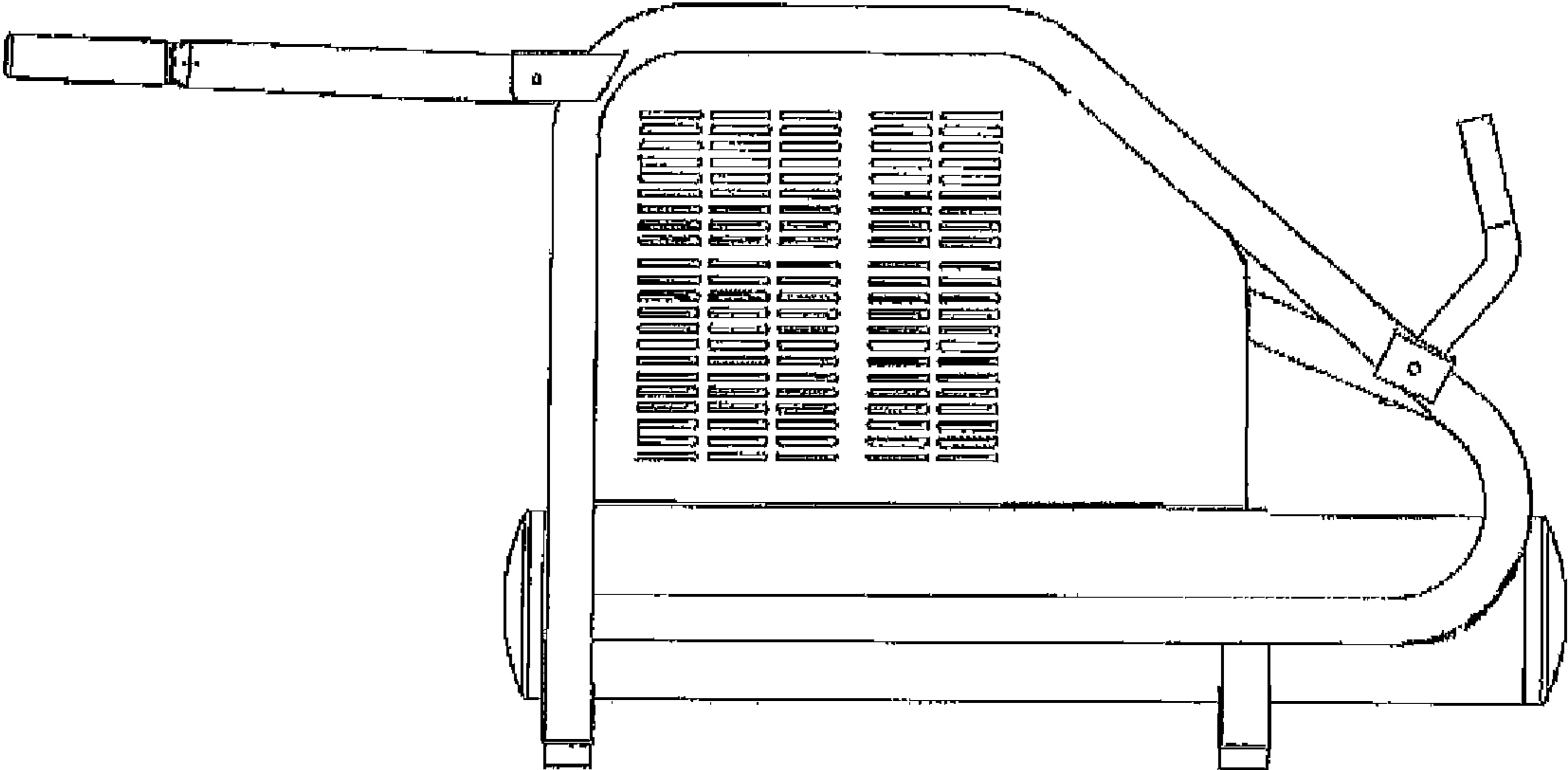


Fig. 2

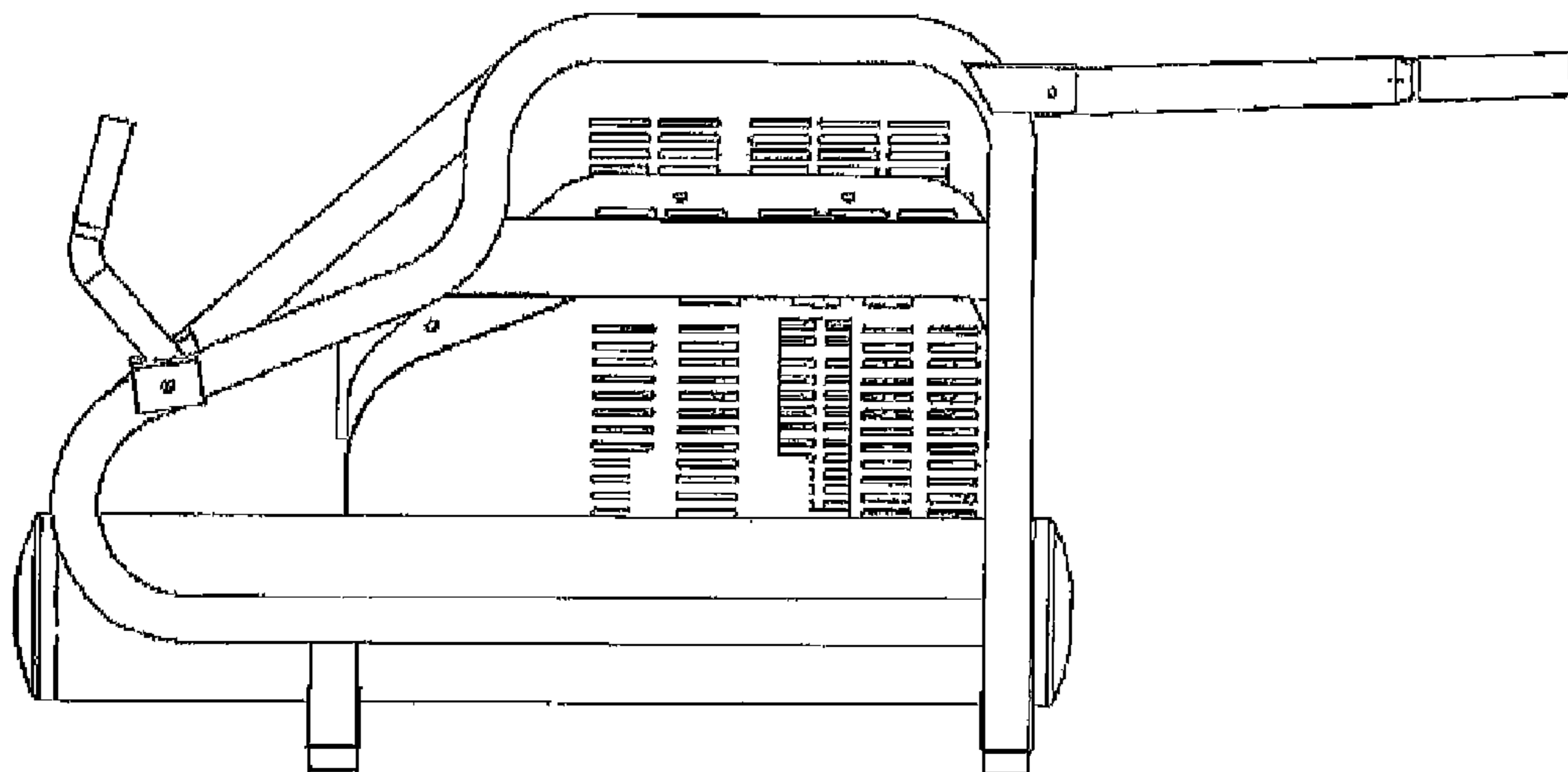


Fig. 3

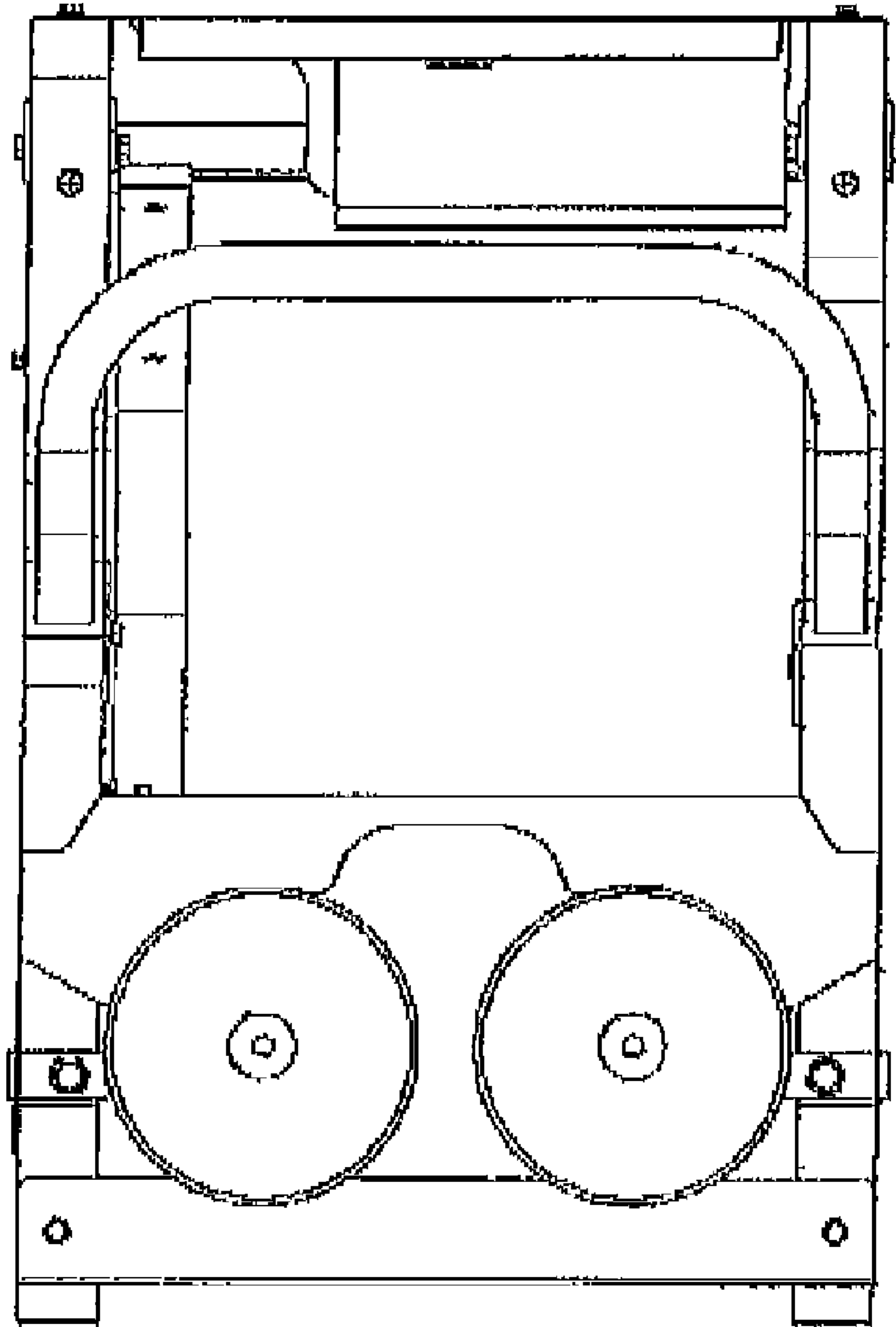


Fig. 4

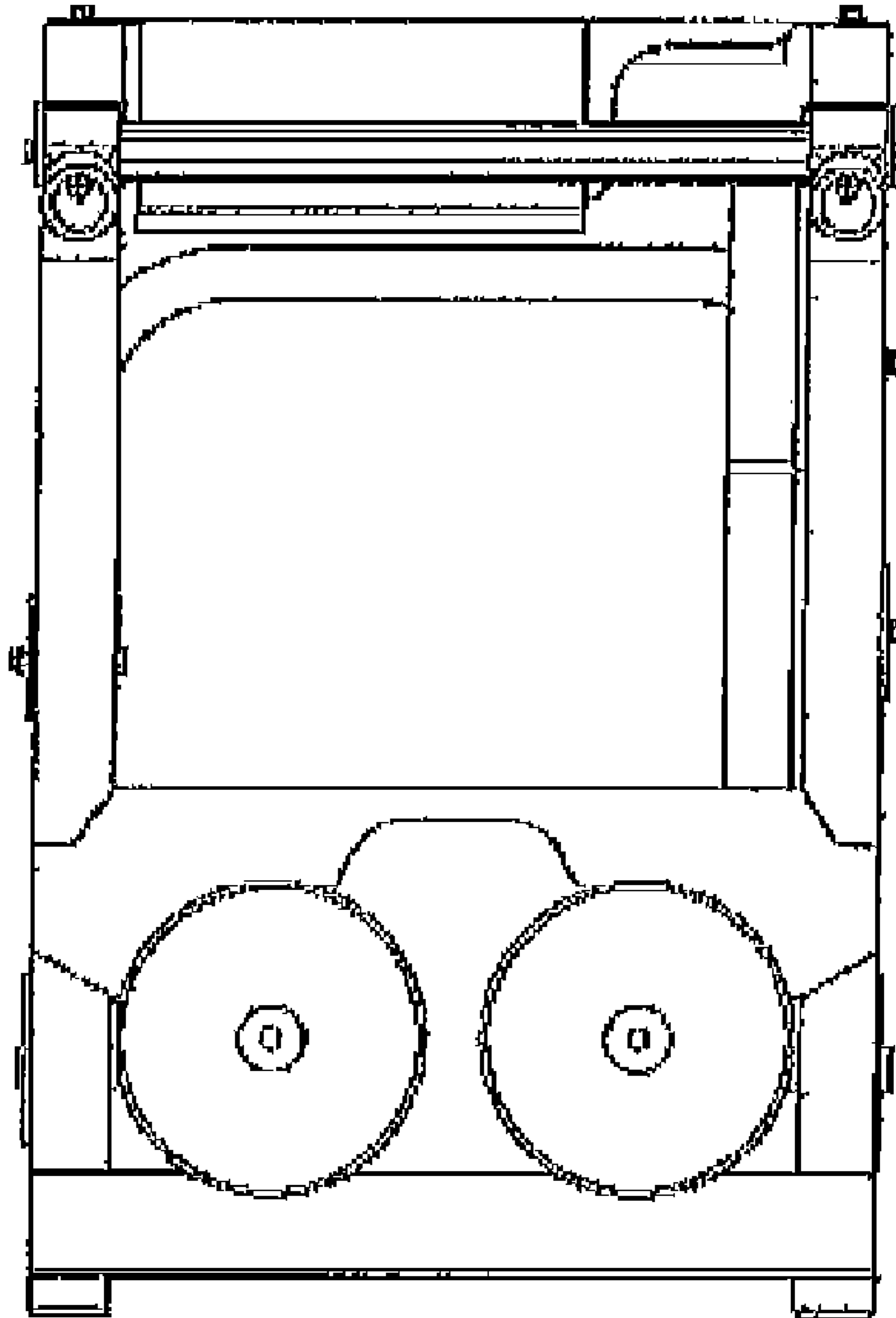


Fig. 5

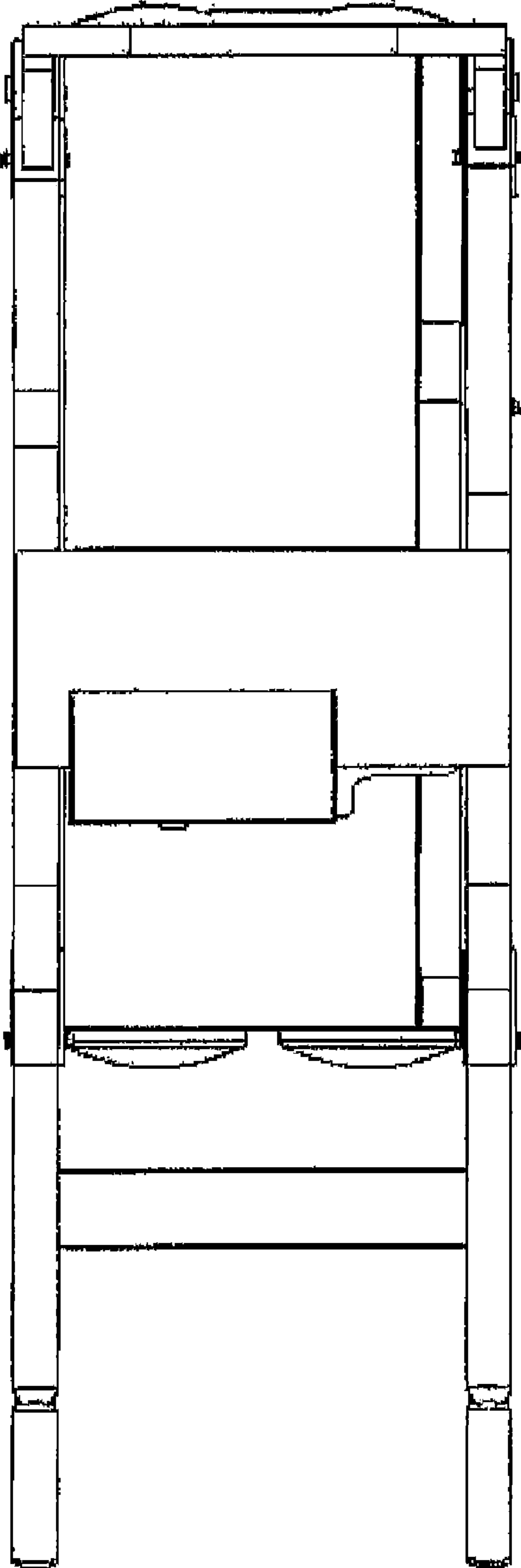


Fig. 6

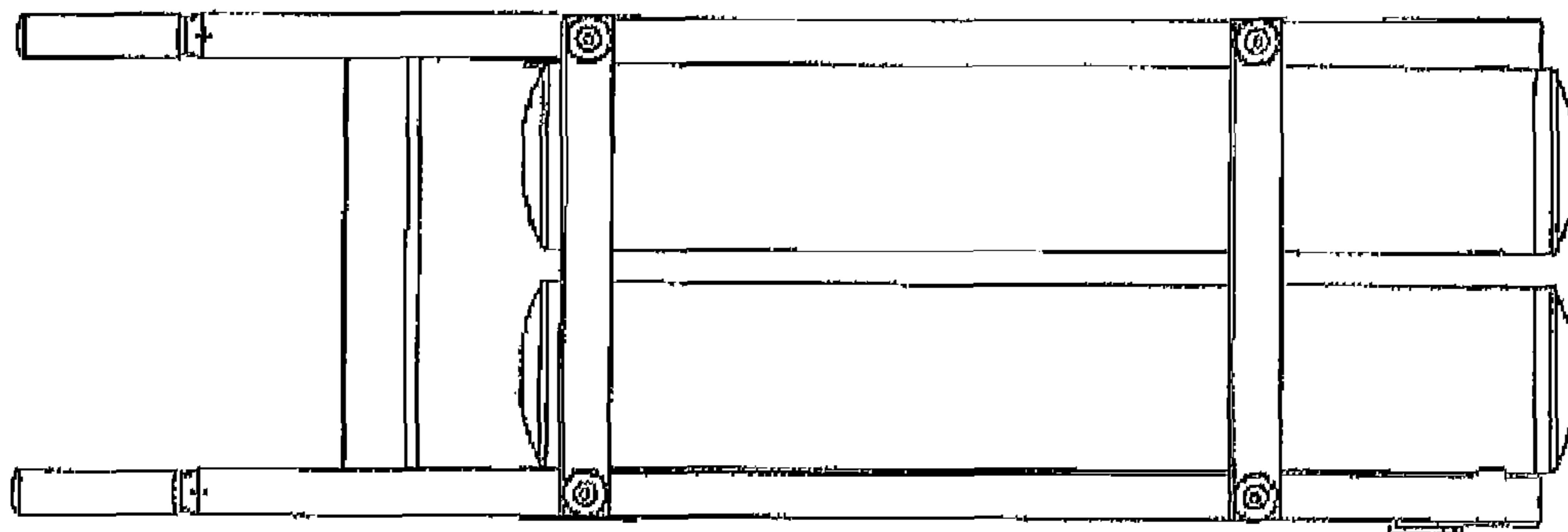


Fig. 7

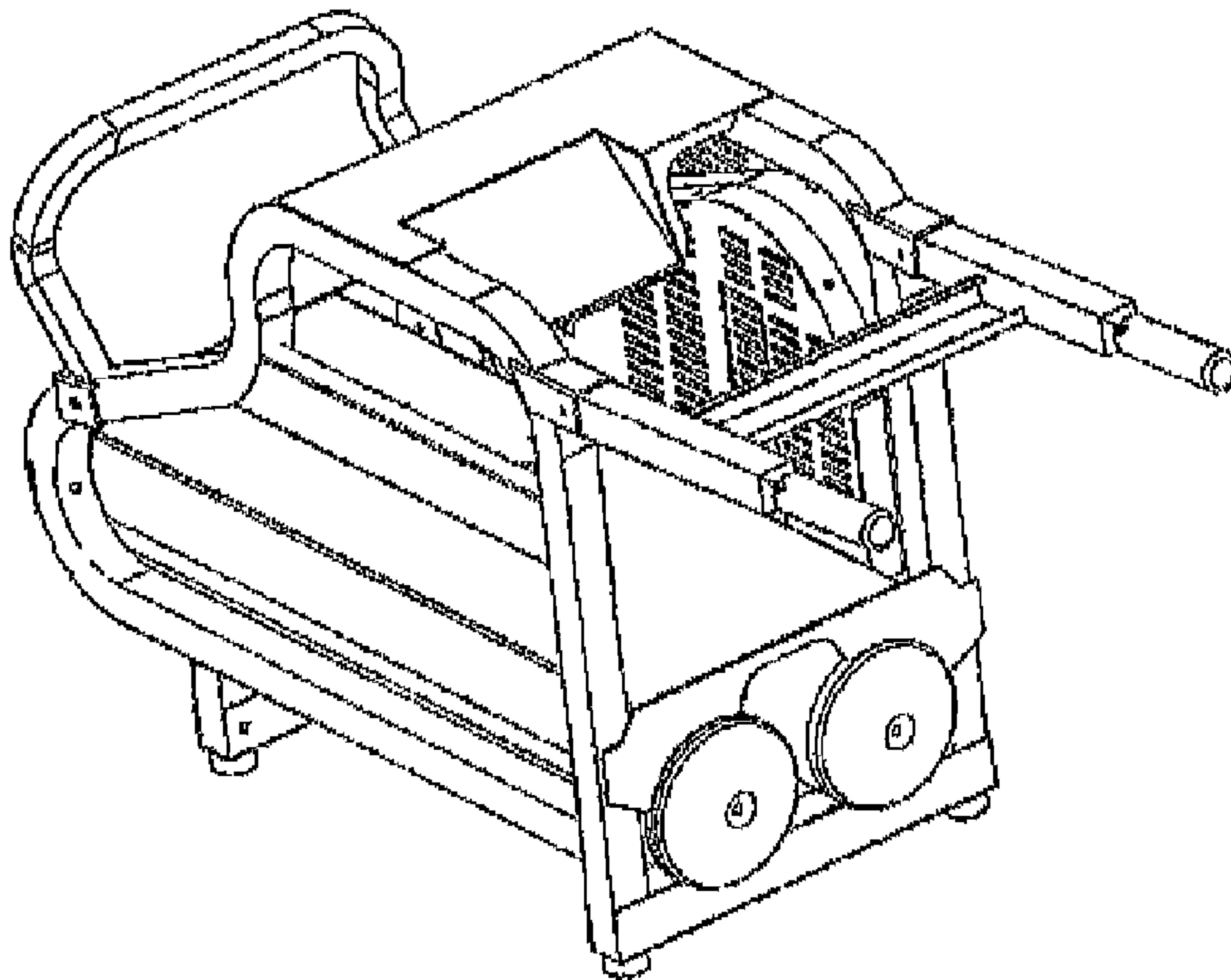


Fig. 8