



US00D662516S

(12) **United States Design Patent**
Pellin et al.

(10) **Patent No.:** **US D662,516 S**
(45) **Date of Patent:** **** Jun. 26, 2012**

(54) **PORTABLE PLURAL COMPONENT
PROPORTIONER**

(75) Inventors: **Christopher J. Pellin**, Burnsville, MN
(US); **Joseph E. Tix**, Hastings, MN
(US); **Mark T. Weinberger**, Mounds
View, MN (US); **Andrew M. Spiess**,
Forest Lake, MN (US)

(73) Assignee: **Graco Minnesota Inc.**, Minneapolis,
MN (US)

(**) Term: **14 Years**

(21) Appl. No.: **29/394,405**

(22) Filed: **Jun. 16, 2011**

(51) **LOC (9) Cl.** **15-02**

(52) **U.S. Cl.** **D15/7**

(58) **Field of Classification Search** D15/7-9;
D23/231, 232, 225; 417/60, 235, 265, 321,
417/355, 358, 363, 359, 410.1, 415-416,
417/405, 900; 60/408, 412; 184/26-37;
415/140-147; 123/495, 509

See application file for complete search history.

(56) **References Cited**

U.S. PATENT DOCUMENTS

D435,048 S *	12/2000	Breiser et al.	D15/7
D500,328 S *	12/2004	Lucchi	D15/9
D559,273 S *	1/2008	Hernandez et al.	D15/9
D574,859 S *	8/2008	Hernandez et al.	D15/9
D589,059 S *	3/2009	Pagotto	D15/7

D590,843 S *	4/2009	Averill et al.	D15/9
D603,871 S *	11/2009	Steinfels et al.	D15/7
D603,872 S *	11/2009	Averill et al.	D15/9
D618,707 S *	6/2010	Schuetz et al.	D15/7
D639,311 S *	6/2011	Peterson et al.	D15/7

OTHER PUBLICATIONS

Graco's Electric Sprayers Brochure, showing many "Lo-Boy" spray-
ers (See p. 8, right side frame, top; p. 10 left side; and p. 12).
Graco's Fast-Set Plural Component Equipment and Accessories bro-
chure, see E-10 product on p. 4.

* cited by examiner

Primary Examiner — Ralf Seifert

(74) *Attorney, Agent, or Firm* — Douglas B. Farrow

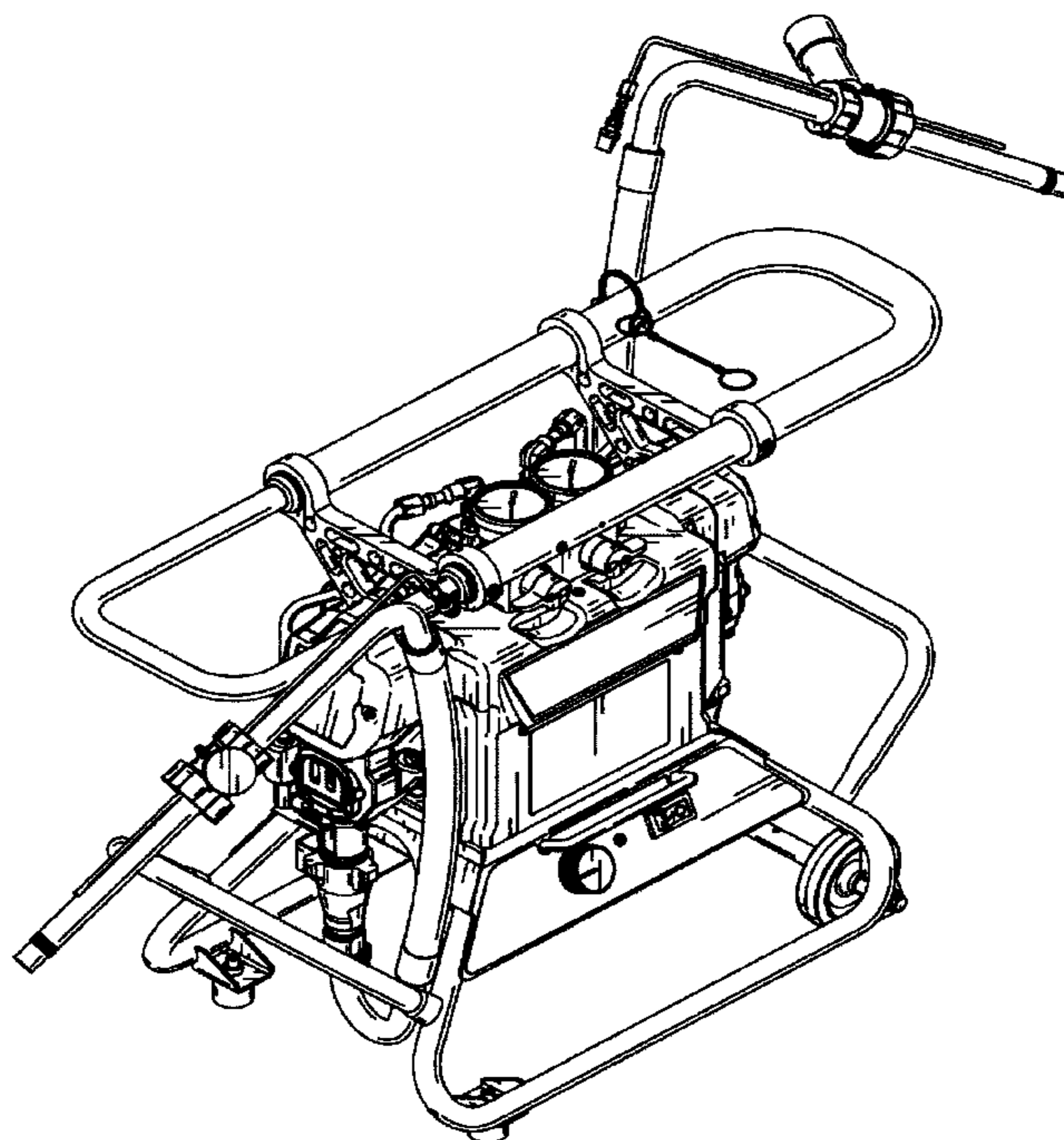
(57) **CLAIM**

The ornamental design for a portable plural component pro-
portioner, as shown and described.

DESCRIPTION

FIG. 1 is a front left isometric view of the portable plural
component proportioner;
FIG. 2 is a top view thereof;
FIG. 3 is a right side view thereof,
FIG. 4 is a front view thereof;
FIG. 5 is a rear view thereof;
FIG. 6 is a left side view thereof; and,
FIG. 7 is a bottom view thereof.

1 Claim, 7 Drawing Sheets



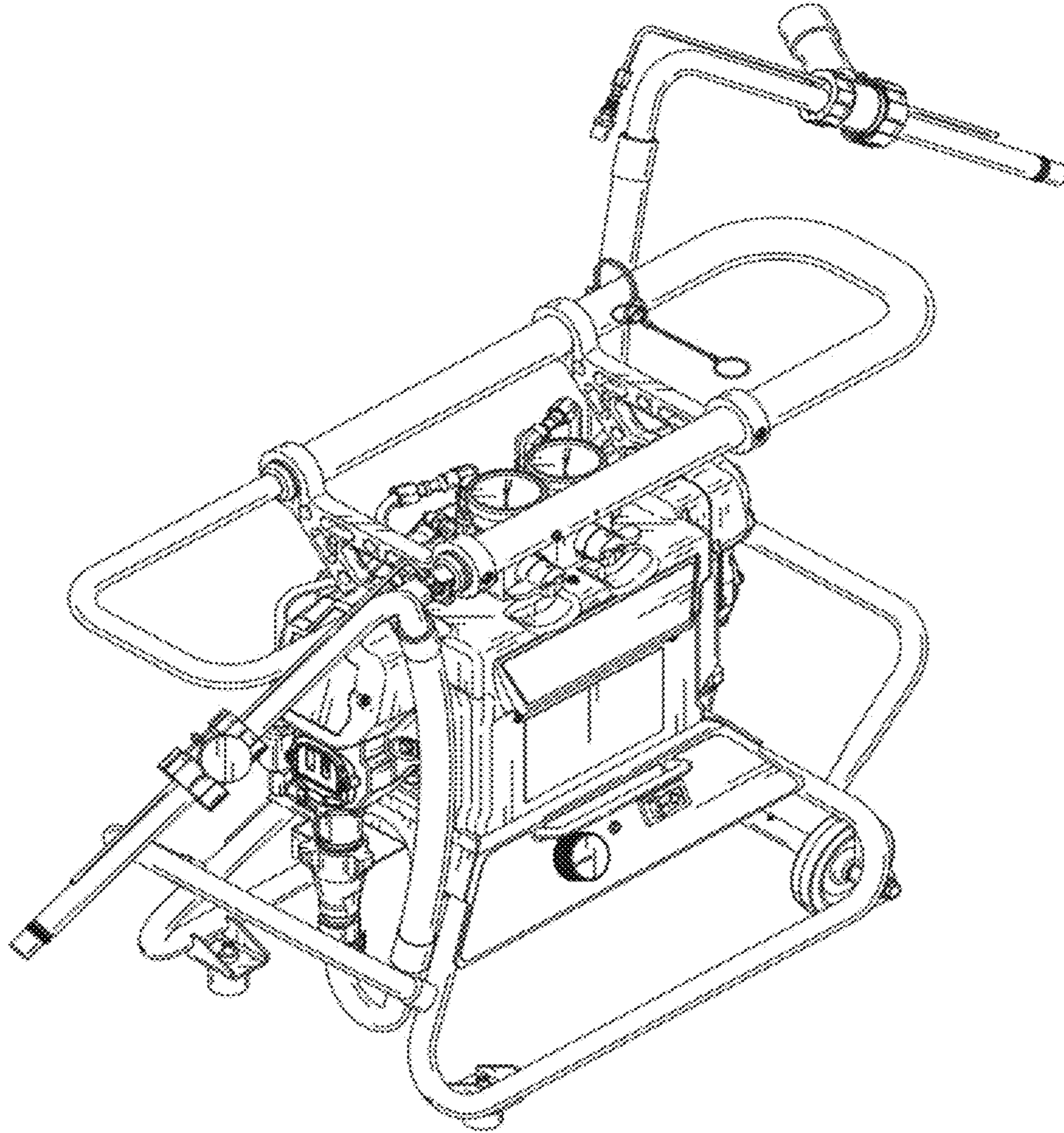


FIG. 1

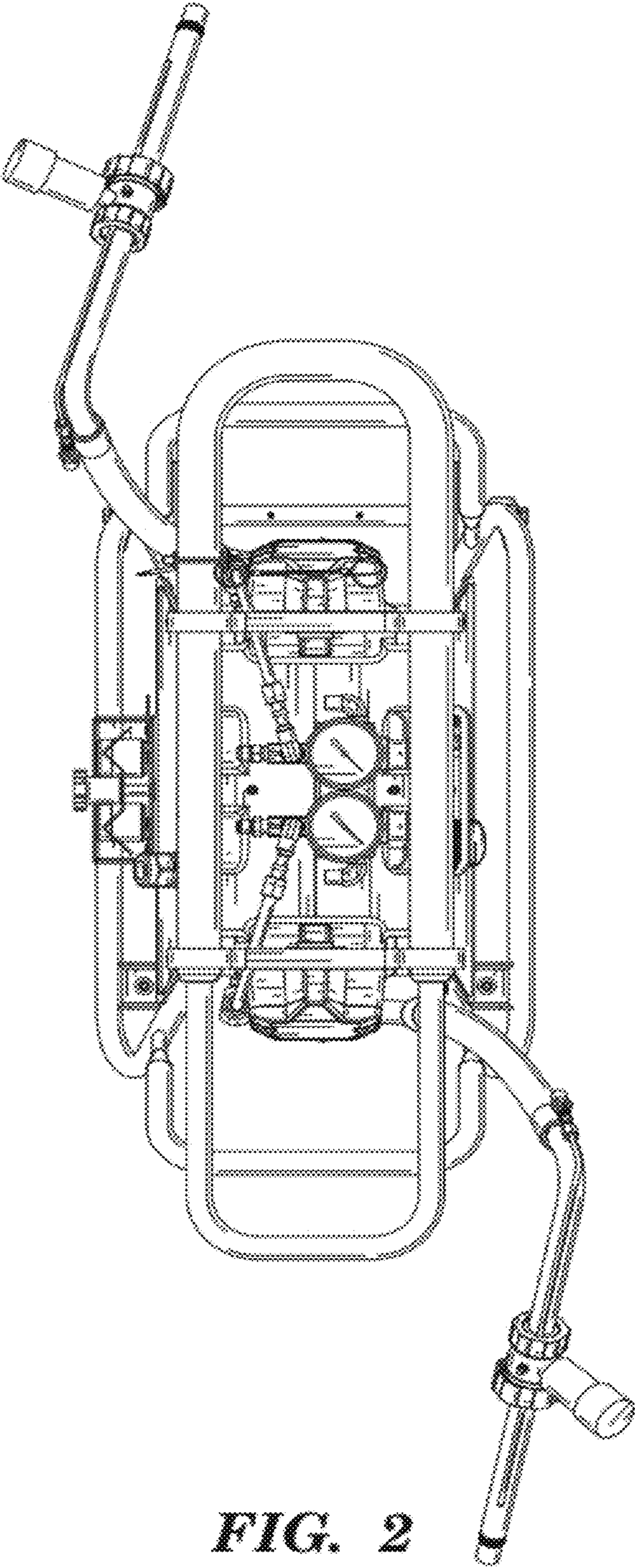


FIG. 2

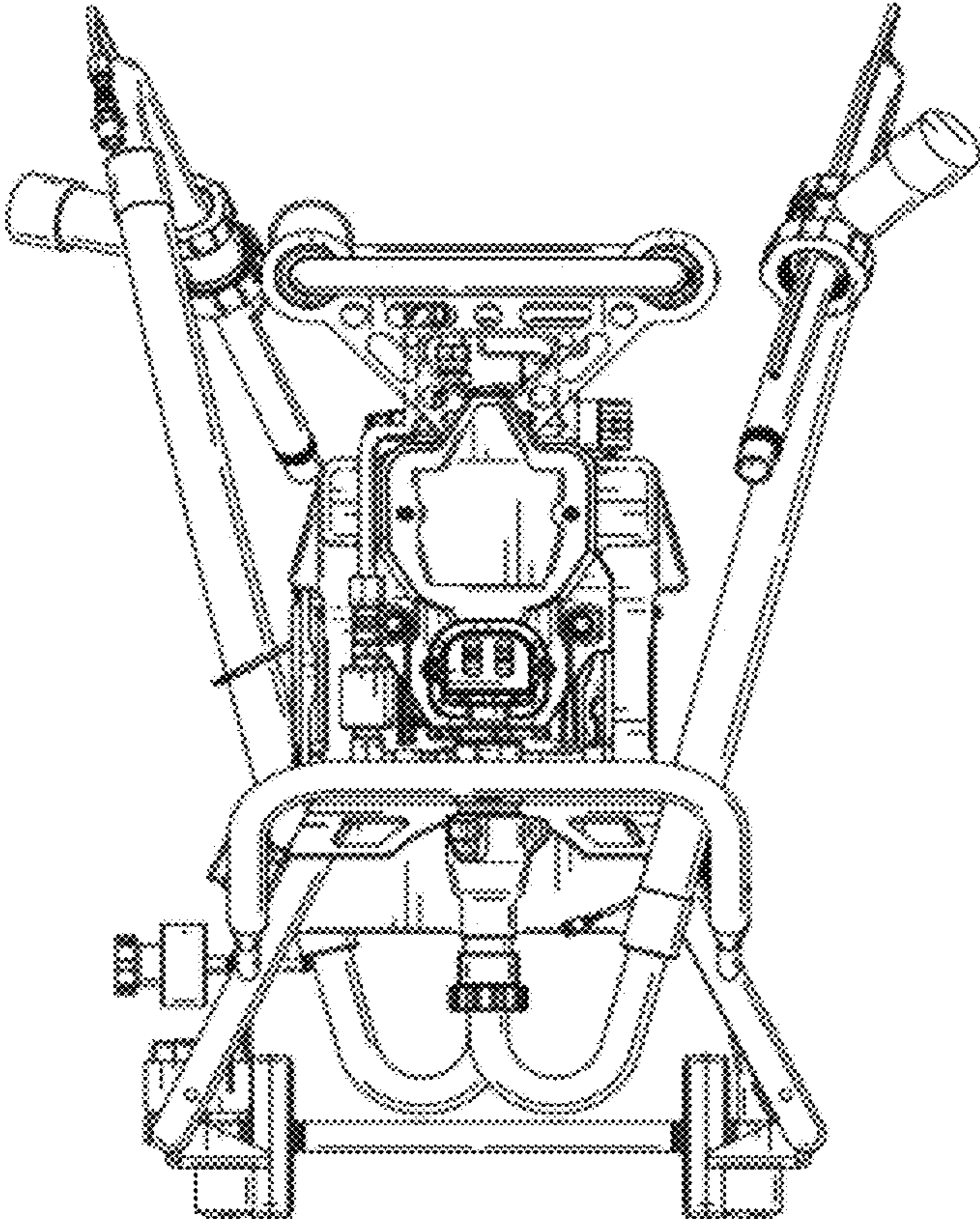


FIG. 3

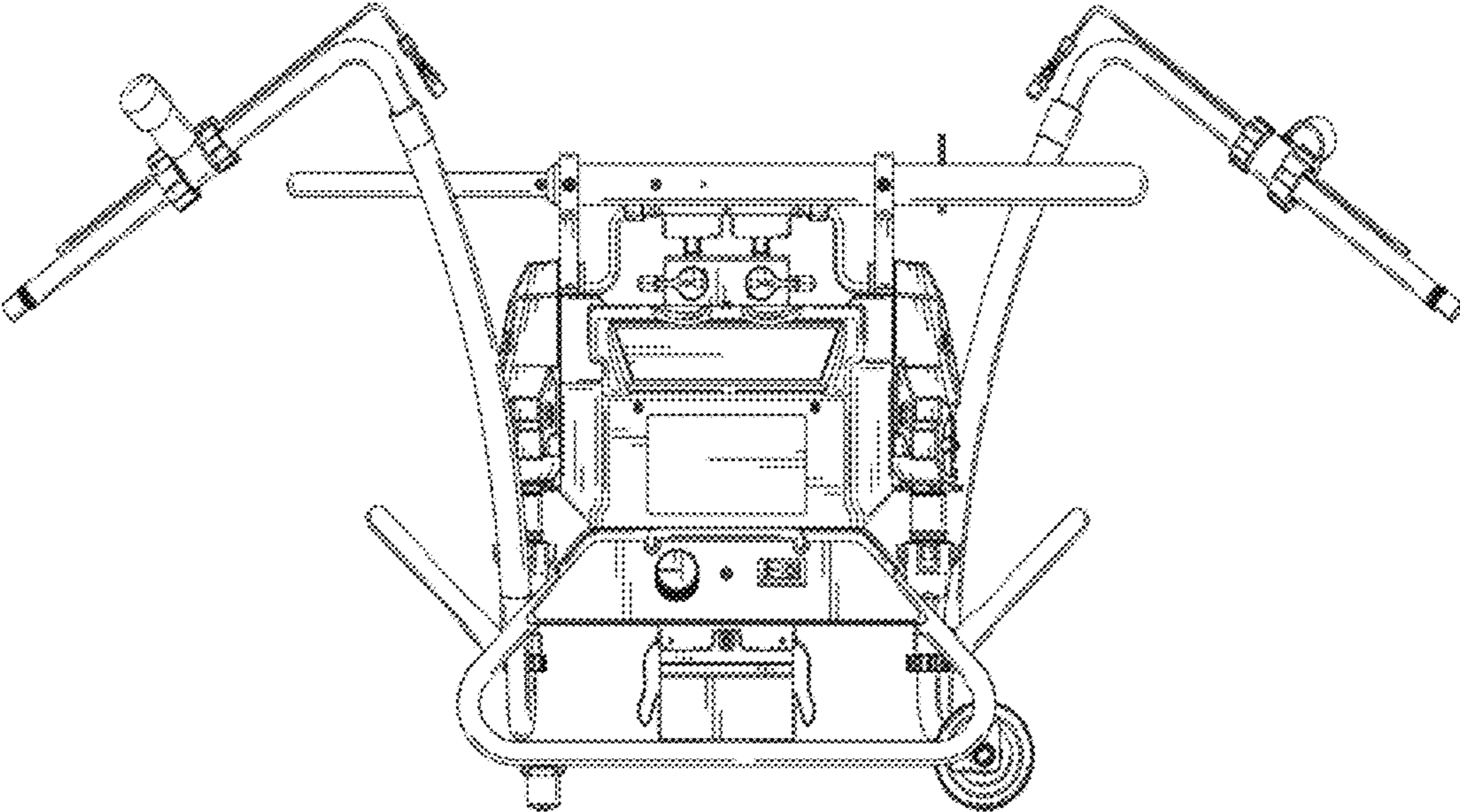


FIG. 4

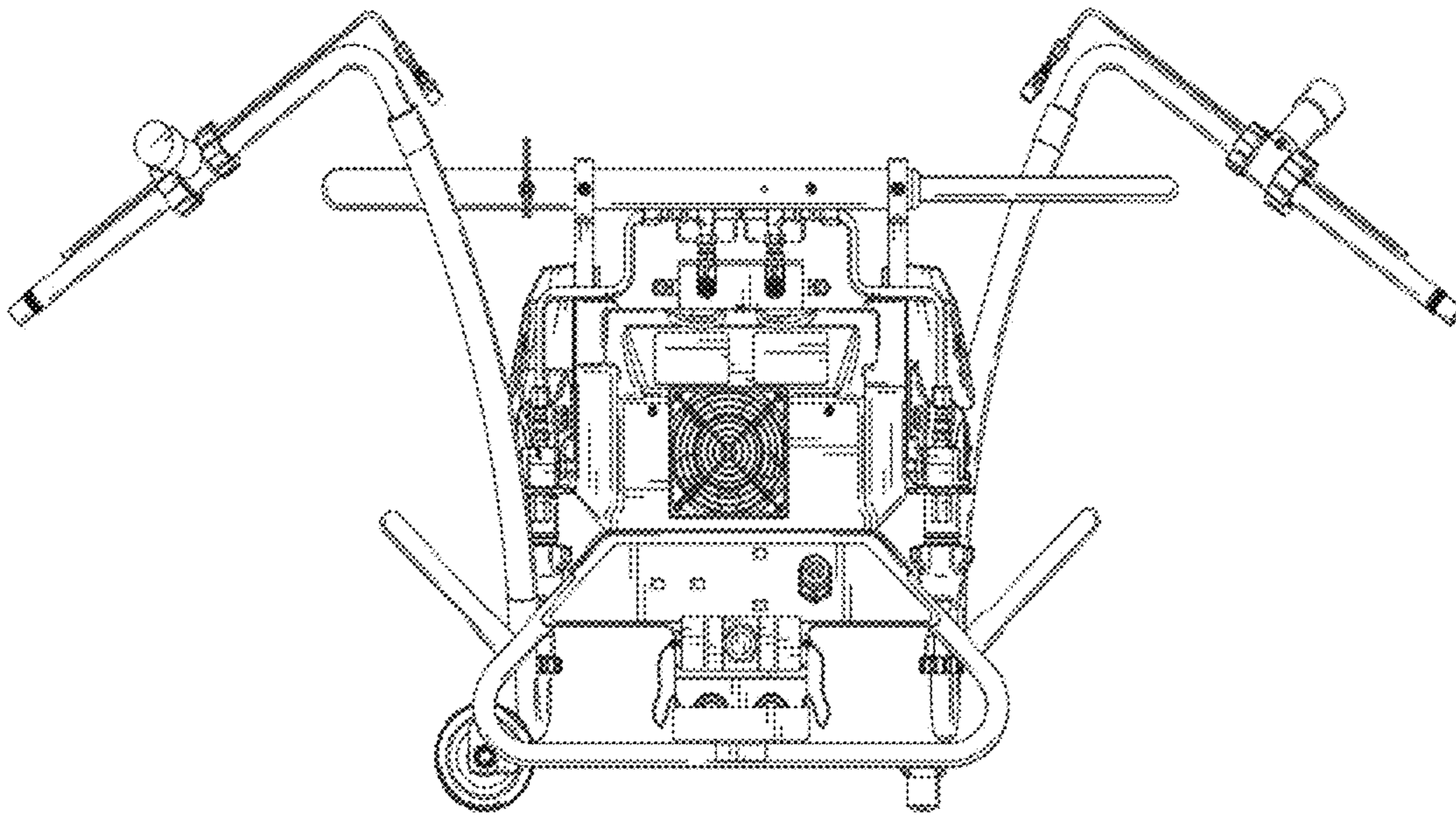


FIG. 5

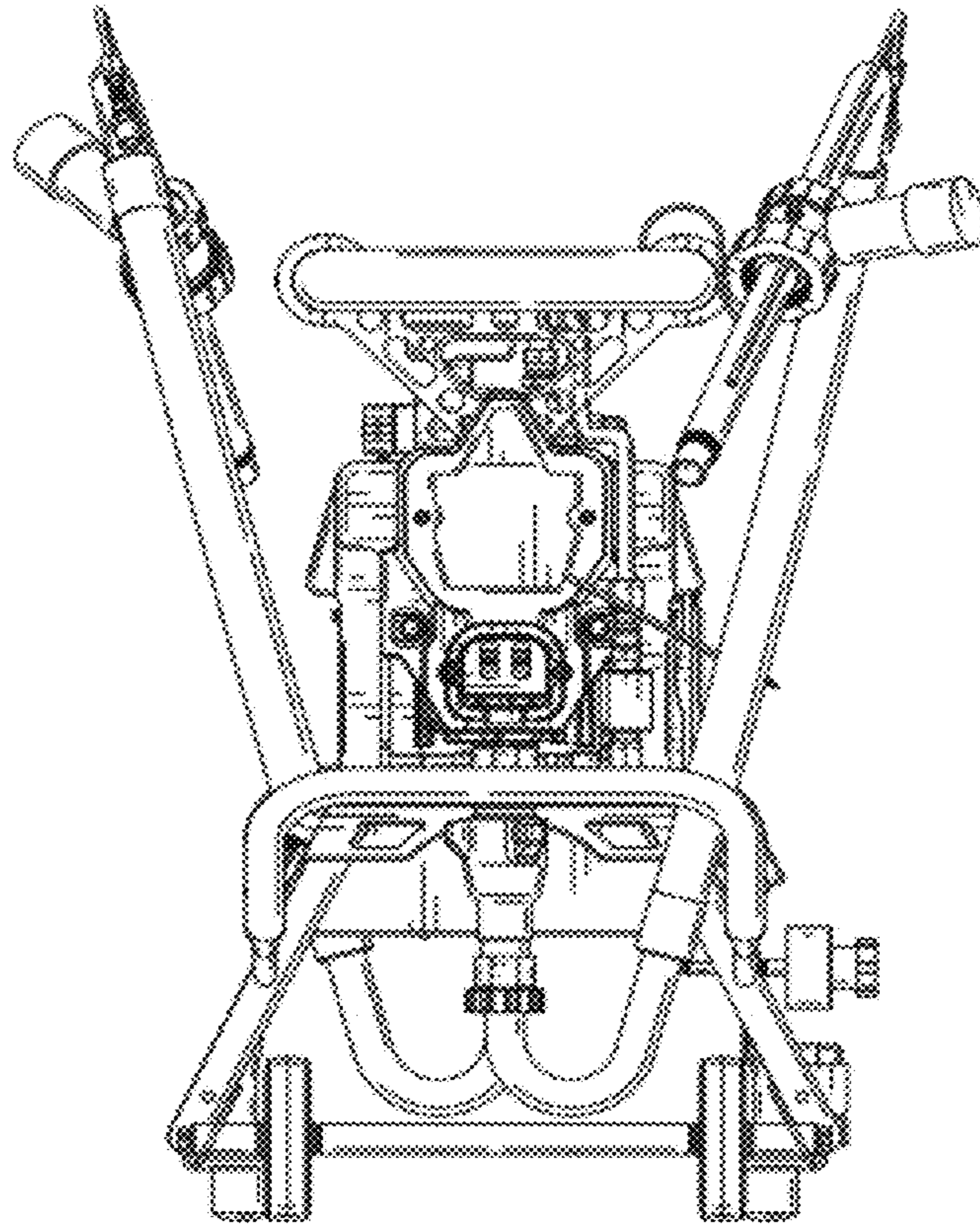


FIG. 6

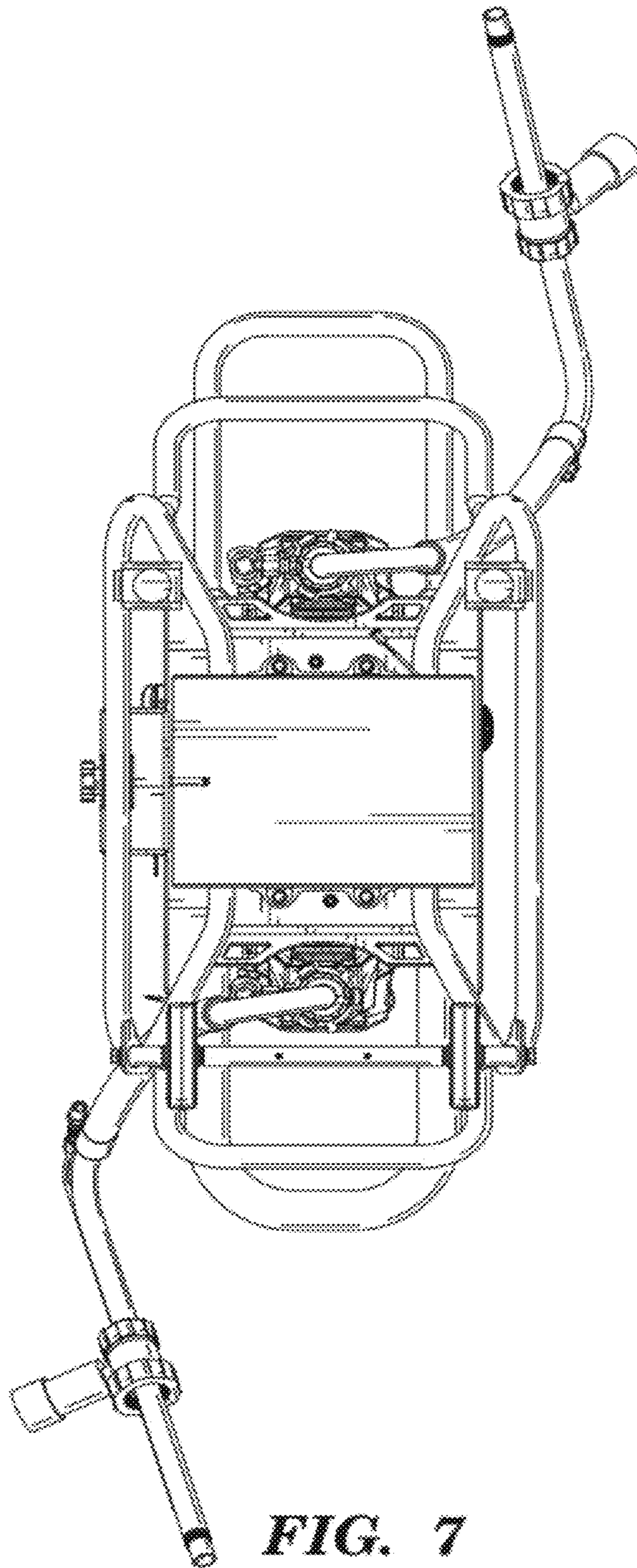


FIG. 7