



US00D662515S

(12) **United States Design Patent**
Fadler et al.

(10) **Patent No.:** **US D662,515 S**
(45) **Date of Patent:** **** Jun. 26, 2012**

(54) **DECORATIVE RIBS FOR A DISHWASHER PUMP ASSEMBLY**

D604,331 S * 11/2009 Tokunaga et al. D15/7
D604,332 S * 11/2009 Tokunaga et al. D15/7
D609,248 S * 2/2010 Foreman et al. D15/7
D645,058 S * 9/2011 Benoit D15/9

(75) Inventors: **Richard J. Fadler**, St. Charles, MO (US); **Philip S. Johnson**, Granite City, IL (US)

* cited by examiner

(73) Assignee: **Nidec Motor Corporation**, St. Louis, MO (US)

Primary Examiner — Ralf Seifert

(**) Term: **14 Years**

(74) *Attorney, Agent, or Firm* — **Harness, Dickey & Pierce, P.L.C.**

(21) Appl. No.: **29/363,702**

(57) **CLAIM**
The ornamental design for decorative ribs for a dishwasher pump assembly, as shown and described.

(22) Filed: **Jun. 14, 2010**

DESCRIPTION

(51) **LOC (9) Cl.** **15-02**

(52) **U.S. Cl.** **D15/7**

(58) **Field of Classification Search** D15/7-9;
D23/231, 232; 417/410.1, 359, 415-416,
417/234, 321, 265, 405, 313

See application file for complete search history.

FIG. 1 is a perspective view of decorative ribs for a dishwasher pump assembly showing our new design;
FIG. 2 is a left elevation view;
FIG. 3 is a back elevation view;
FIG. 4 is a front elevation view;
FIG. 5 is a top plan view; and,
FIG. 6 is a partial perspective view of the area identified in FIG. 1.

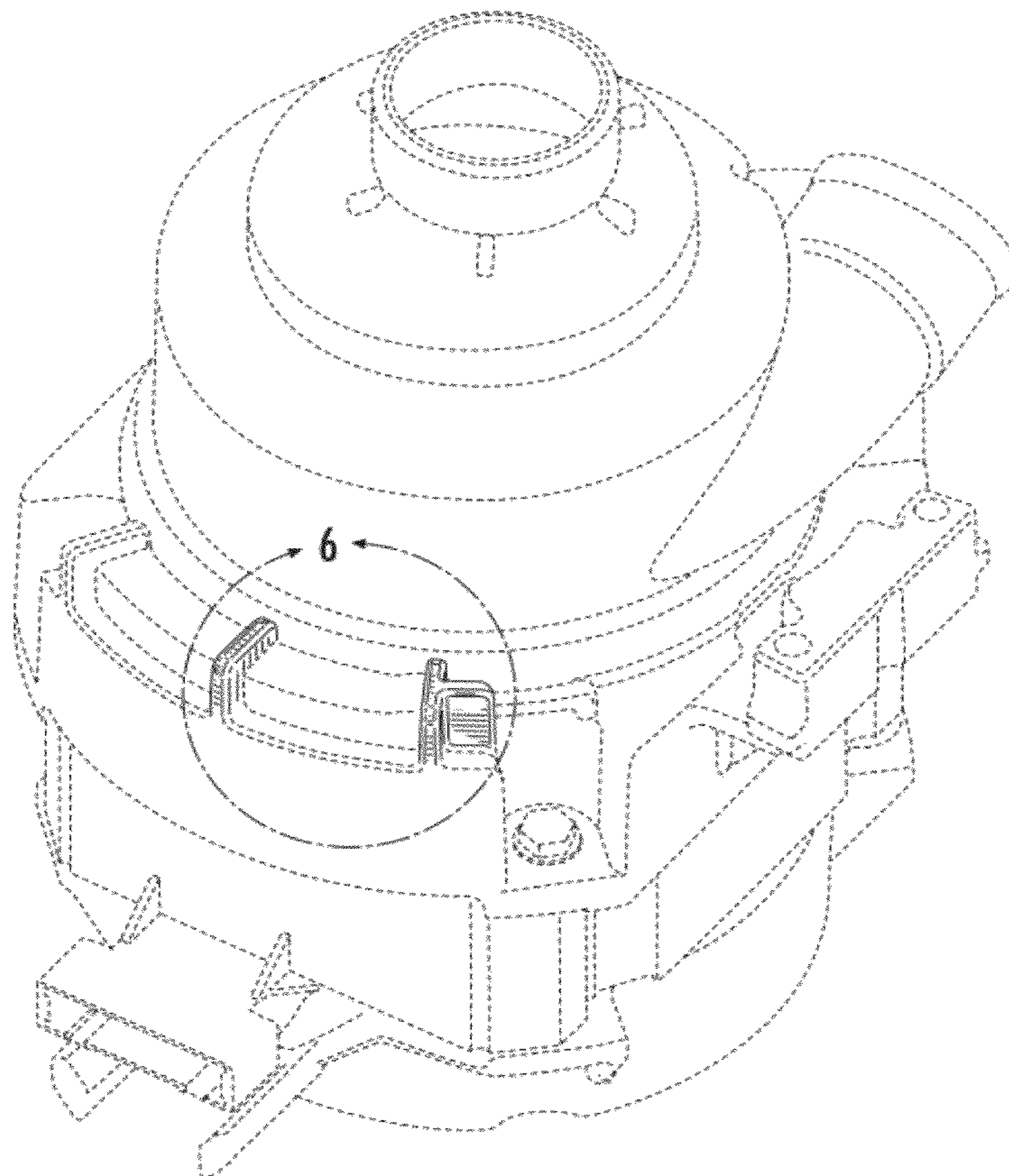
(56) **References Cited**

U.S. PATENT DOCUMENTS

D239,210 S * 3/1976 Marlow D15/7
D388,796 S * 1/1998 Conti et al. D15/7
D400,210 S * 10/1998 Reynolds et al. D15/7
D592,681 S * 5/2009 Hamagishi et al. D15/7

The broken lines showing detail of the dishwasher pump assembly are for illustrative purposes only, and form no part of the claimed design.

1 Claim, 6 Drawing Sheets



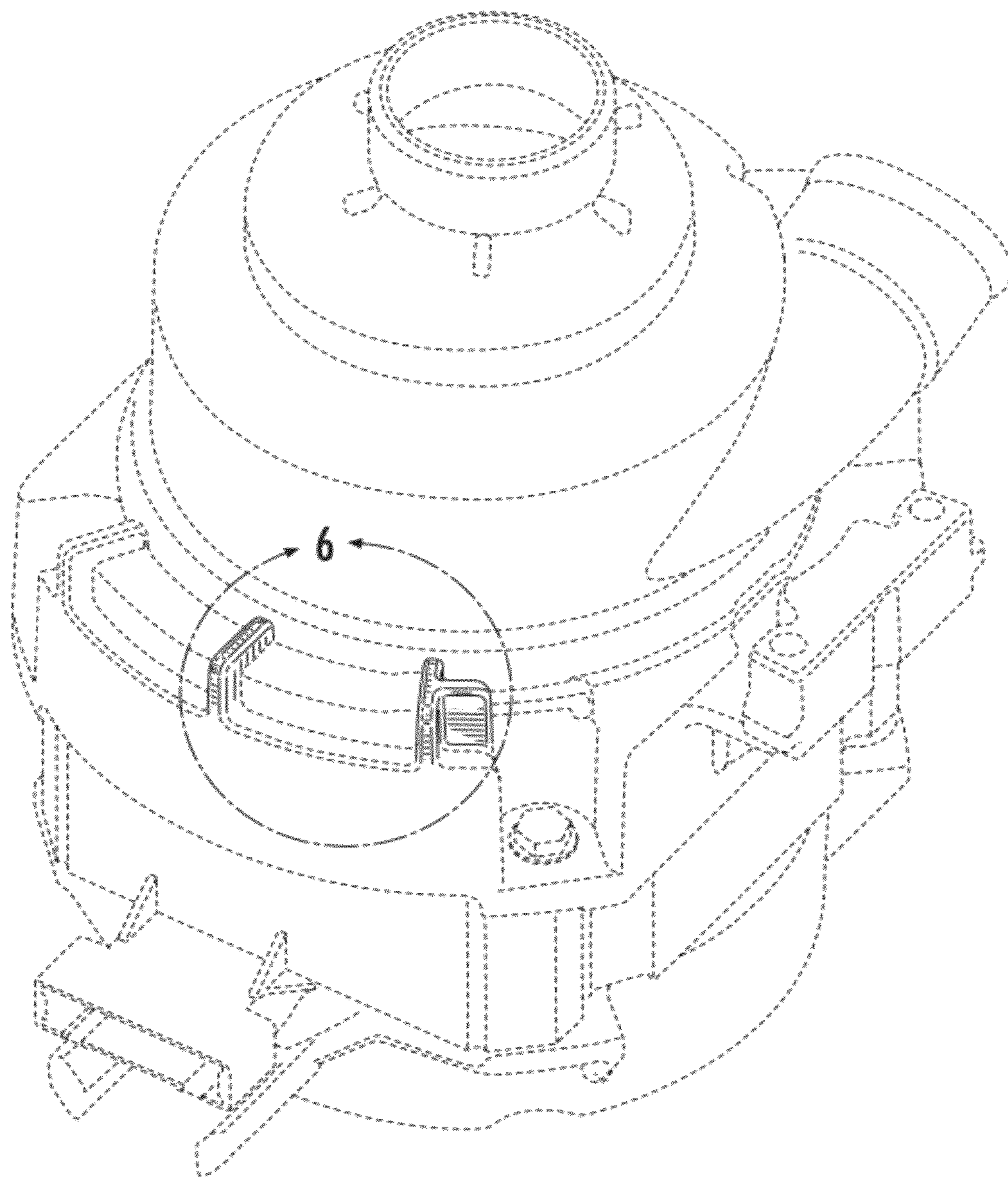


FIG. 1

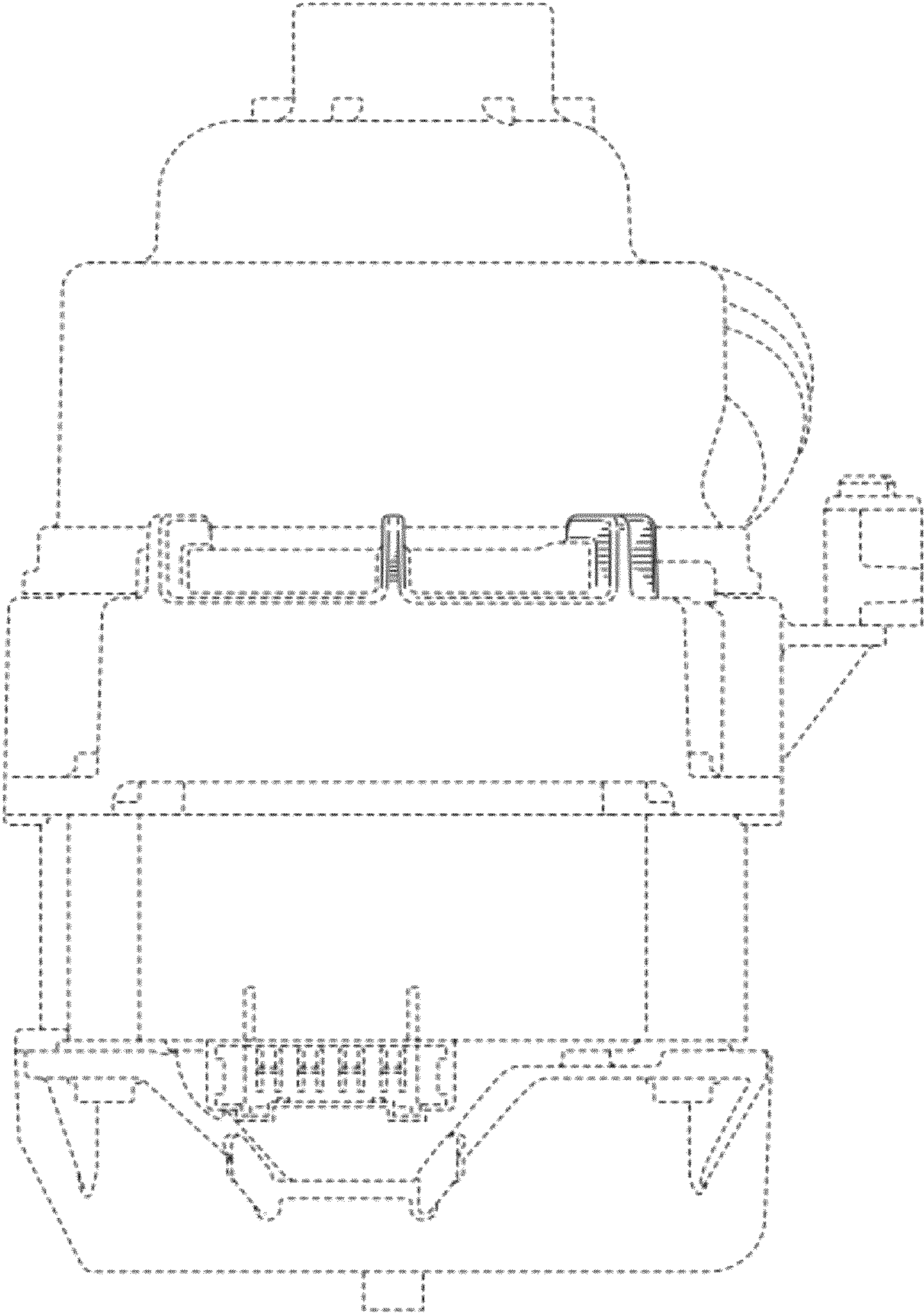


FIG. 2

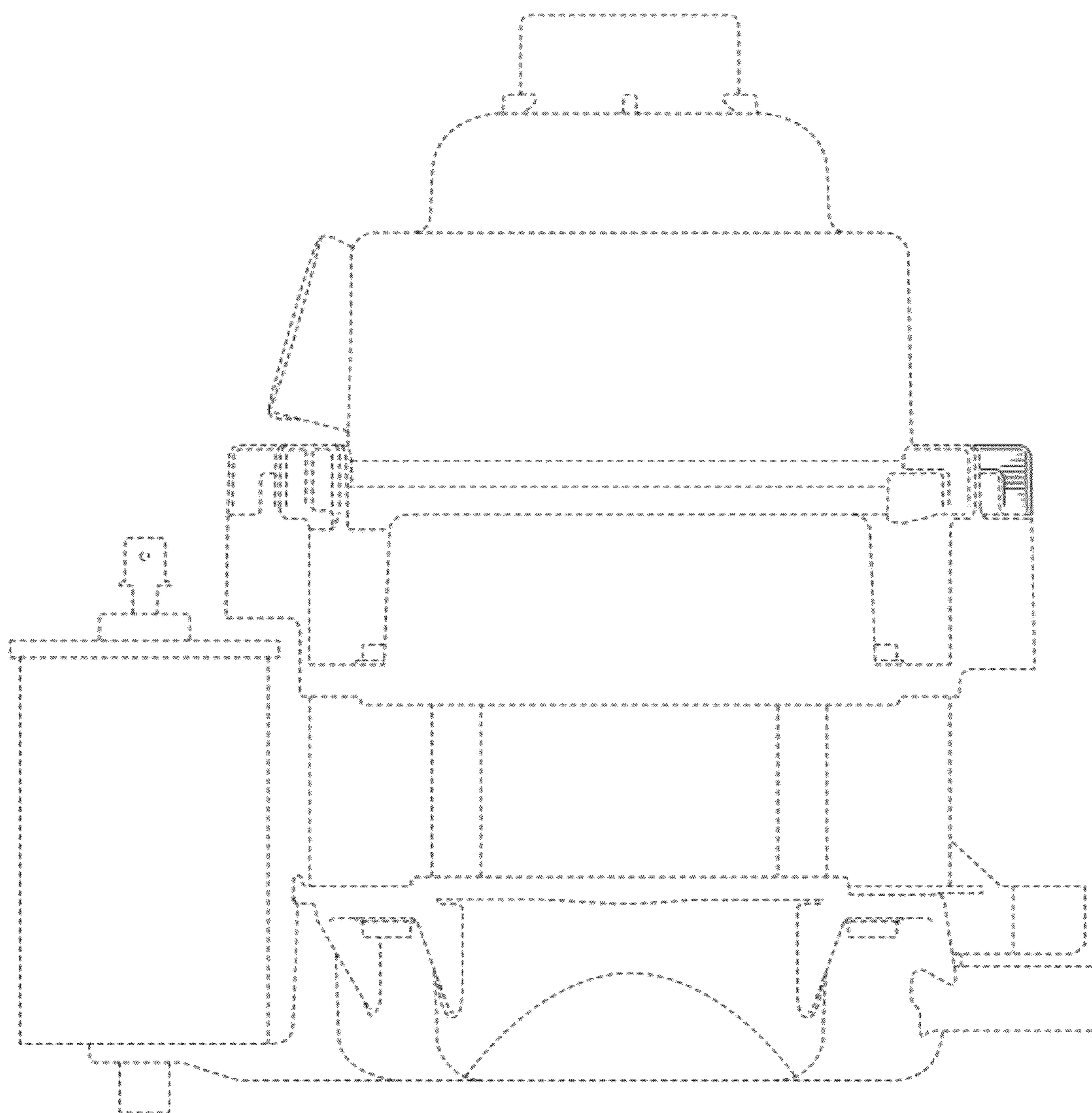


FIG. 3

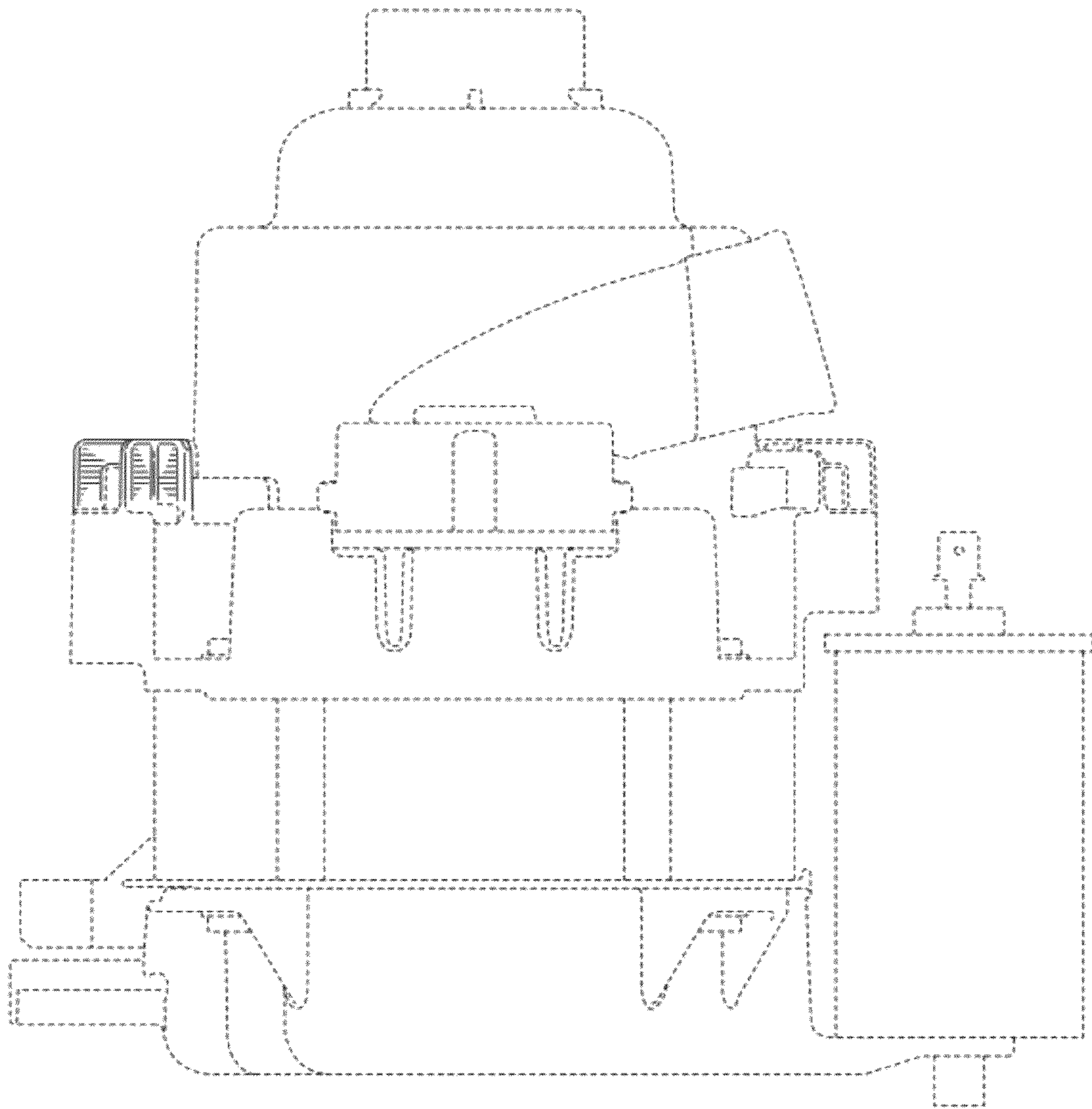


FIG. 4

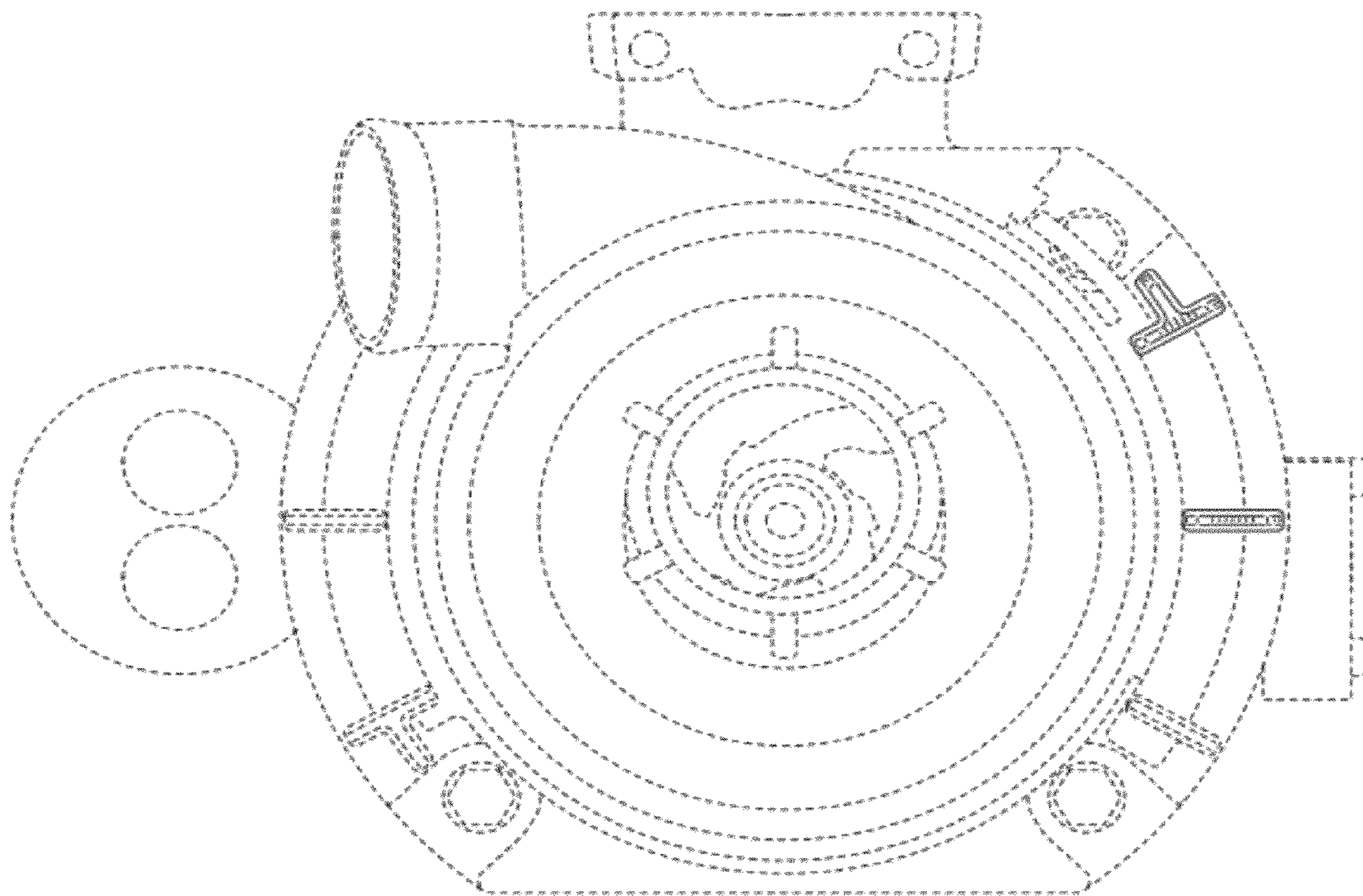


FIG. 5

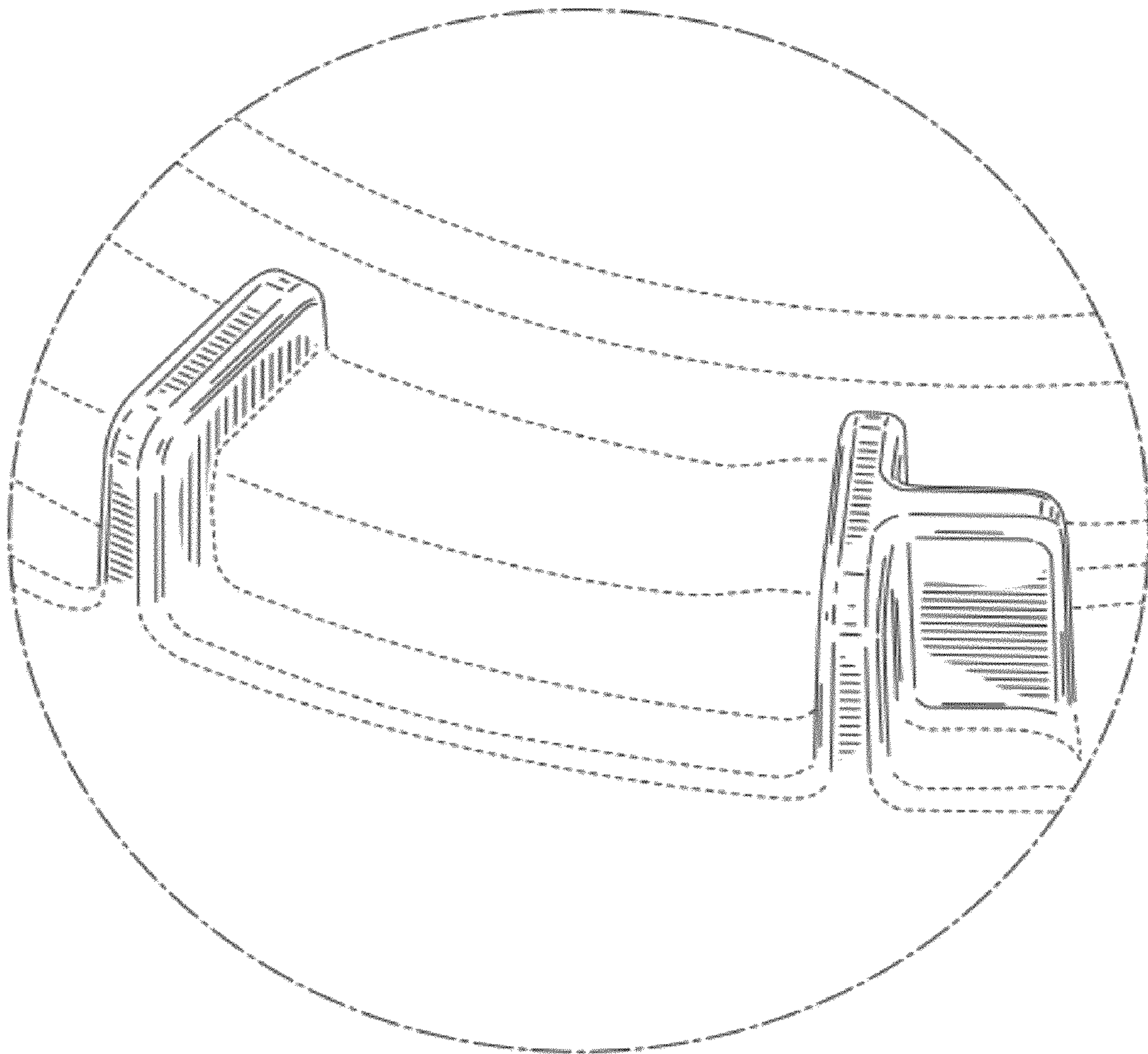


FIG. 6