



US00D662505S

(12) **United States Design Patent**
Mori

(10) **Patent No.:** **US D662,505 S**
(45) **Date of Patent:** **** Jun. 26, 2012**

(54) **TABLET LOUNGE**

(75) Inventor: **Kenneth Mori**, Los Angeles, CA (US)

(73) Assignee: **Belkin International, Inc.**, Playa Vista, CA (US)

(**) Term: **14 Years**

(21) Appl. No.: **29/377,188**

(22) Filed: **Oct. 18, 2010**

(51) **LOC (9) Cl.** **08-07**

(52) **U.S. Cl.** **D14/447**

(58) **Field of Classification Search** D14/447,
D14/448, 451, 452, 432, 434, 439, 440, 457,
D14/460, 461, 239, 250, 251, 253, 217, 238.1;
D3/218; D6/310, 312, 311, 406.3, 406.4,
D6/406.5, 406.6, 419; 248/917-924, 688,
248/441.1, 451, 454, 460, 463, 136, 149,
248/150, 164, 166, 176.2, 176.3, 176.1, 346.03,
248/346.3; 361/679.02, 679.09, 679.21,
361/679.22, 379.26, 679.27, 679.28, 679.29,
361/679.3, 679.46, 679.47, 679.48, 679.55,
361/679.56, 679.57, 679.58, 679.59, 679.6;
150/165; 224/929, 930; D21/333; D13/108
See application file for complete search history.

(56) **References Cited**

U.S. PATENT DOCUMENTS

D418,166 S *	12/1999	Dill	D19/88
D454,703 S *	3/2002	Doeing	D6/310
D553,122 S *	10/2007	Solland	D14/217
D558,193 S *	12/2007	Ju et al.	D14/253
D558,774 S *	1/2008	Najima	D14/447
D574,375 S *	8/2008	Prest et al.	D14/253
D589,962 S *	4/2009	Maruyama et al.	D14/432
D600,680 S *	9/2009	Mead et al.	D14/217
D618,692 S *	6/2010	Deutsch et al.	D14/447
D628,203 S *	11/2010	Noble	D14/447
D628,562 S *	12/2010	Akana et al.	D14/217
D640,708 S *	6/2011	Lee	D14/447
D640,976 S *	7/2011	Matsuoka	D13/108

* cited by examiner

Primary Examiner — Angela J Lee

(74) *Attorney, Agent, or Firm* — Bryan Cave LLP

(57) **CLAIM**

I claim the ornamental design for a tablet lounge, as shown and described.

DESCRIPTION

FIG. 1 is a front, top, right side isometric view of a first embodiment of the tablet lounge supporting a mobile electronic device shown in dashed lines;

FIG. 2 is a top view of the first embodiment of the tablet lounge without the deformable support mechanism of the first embodiment of the tablet lounge and also without the mobile electronic device, both of which are shown in dashed lines in FIG. 1;

FIG. 3 is a right side view of the first embodiment of the tablet lounge without the deformable support mechanism of the first embodiment of the tablet lounge and also without the mobile electronic device, both of which are shown in dashed lines in FIG. 1;

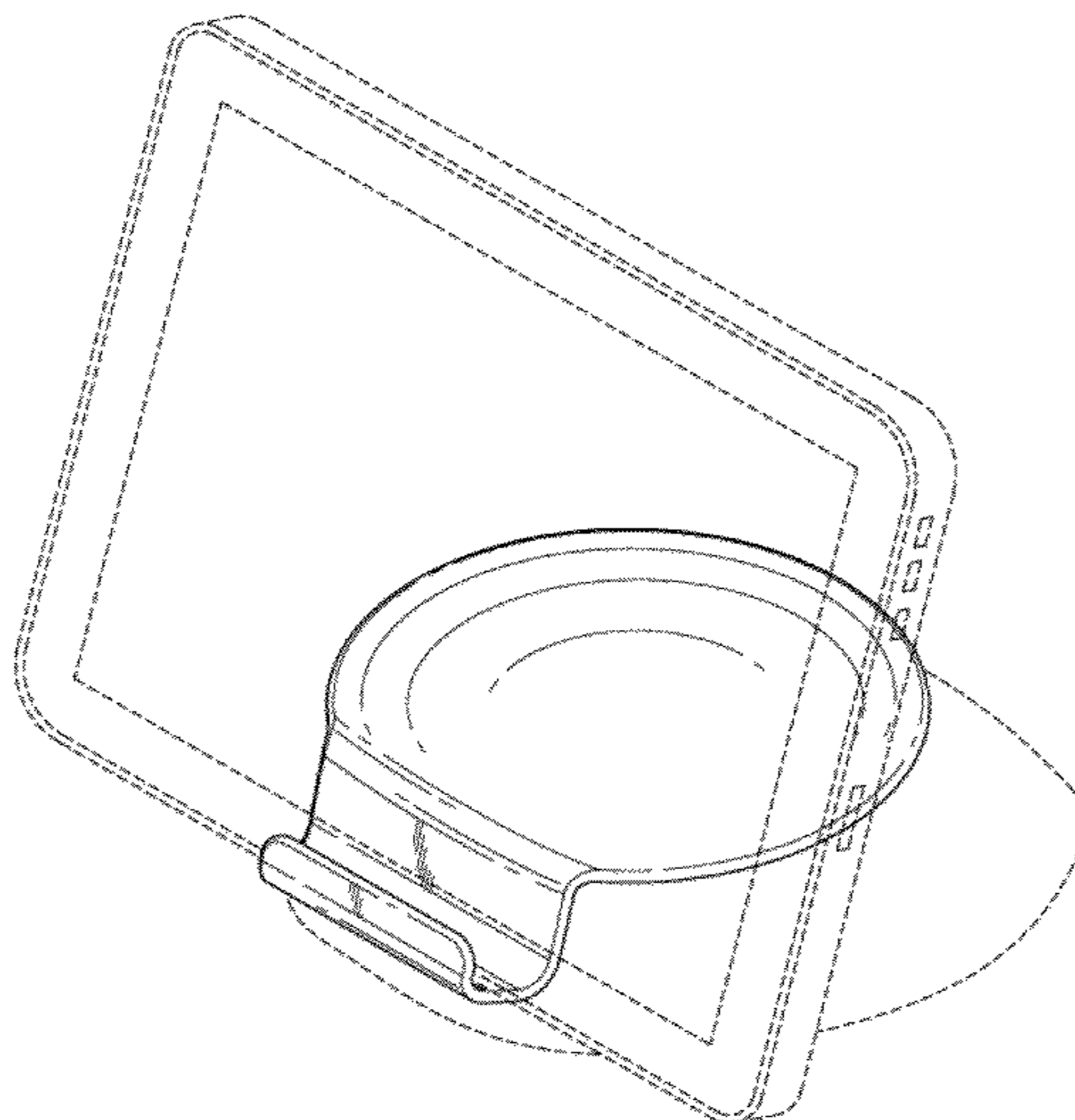
FIG. 4 is a left side view of the first embodiment of the tablet lounge without the deformable support mechanism of the first embodiment of the tablet lounge and also without the mobile electronic device, both of which are shown in dashed lines in FIG. 1;

FIG. 5 is a front view of the first embodiment of the tablet lounge without the deformable support mechanism of the first embodiment of the tablet lounge and also without the mobile electronic device, both of which are shown in dashed lines in FIG. 1;

FIG. 6 is a rear view of the first embodiment of the tablet lounge without the deformable support mechanism of the first embodiment of the tablet lounge and also without the mobile electronic device, both of which are shown in dashed lines in FIG. 1; and,

FIG. 7 is a bottom view of the first embodiment of the tablet lounge without the deformable support mechanism of the first embodiment of the tablet lounge and also without the mobile electronic device, both of which are shown in dashed lines in FIG. 1.

1 Claim, 3 Drawing Sheets



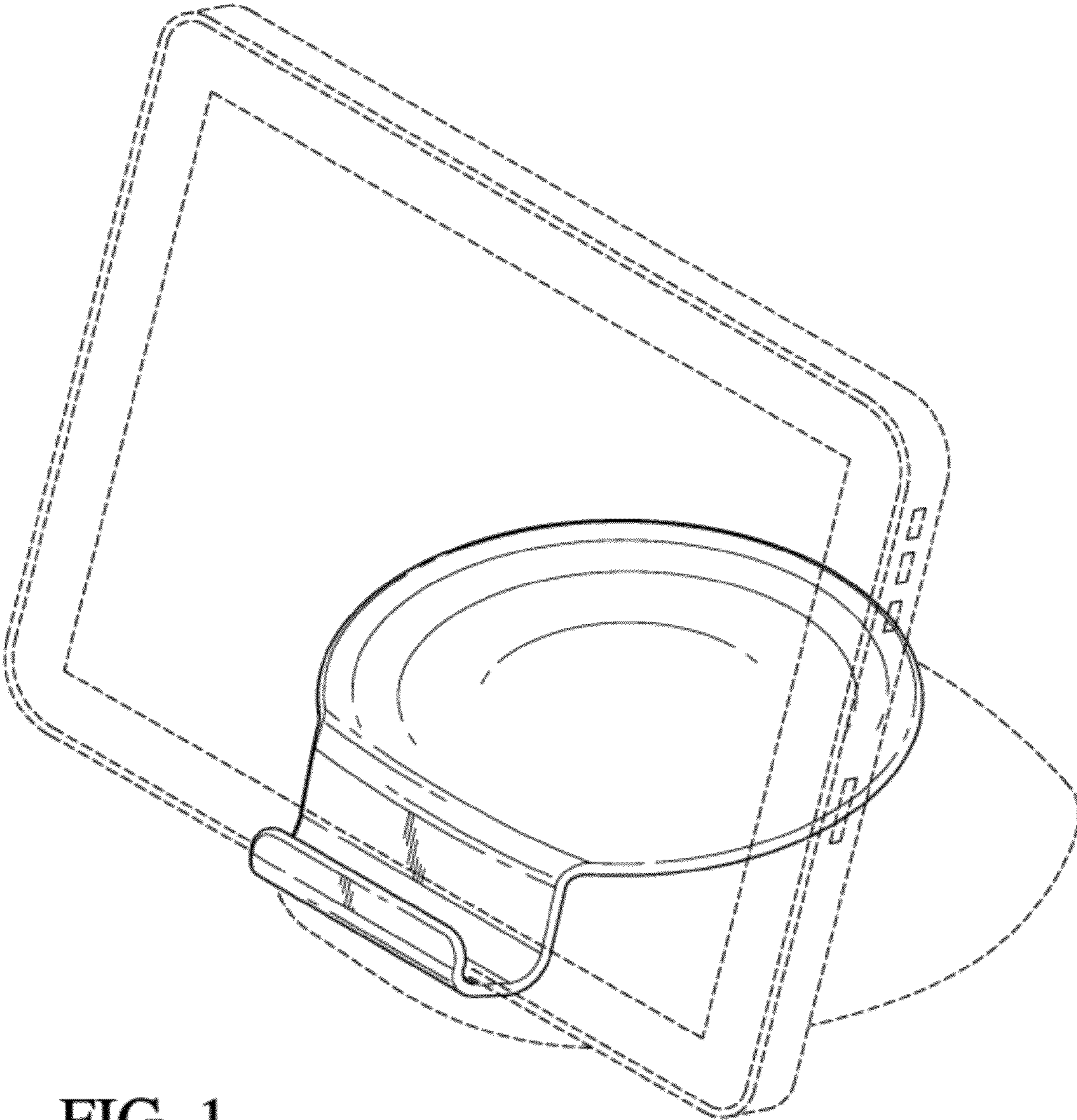


FIG. 1

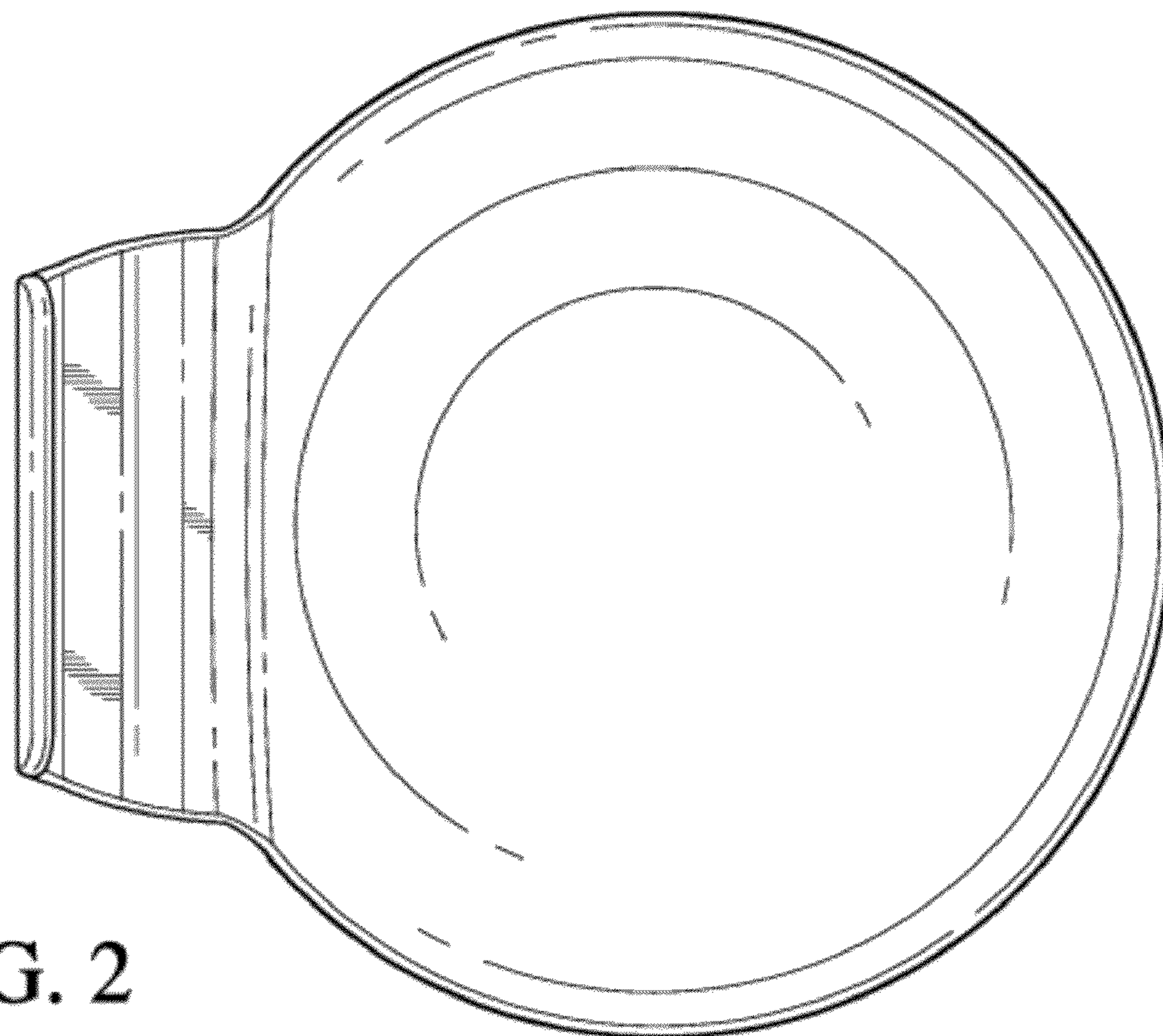


FIG. 2

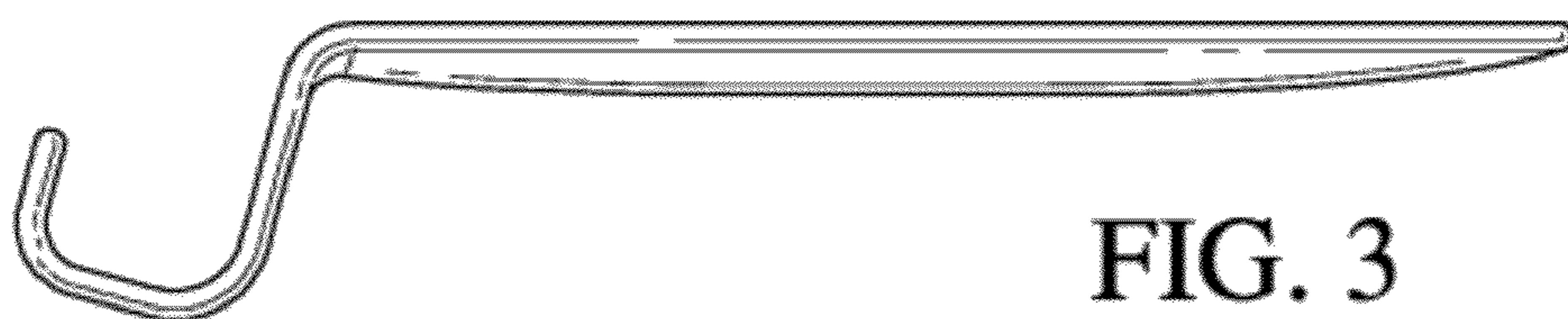


FIG. 3

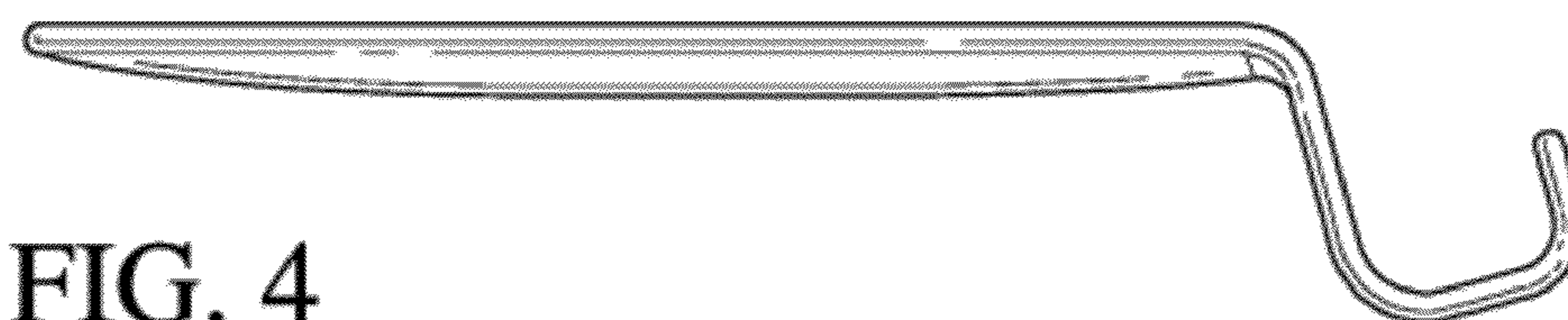


FIG. 4

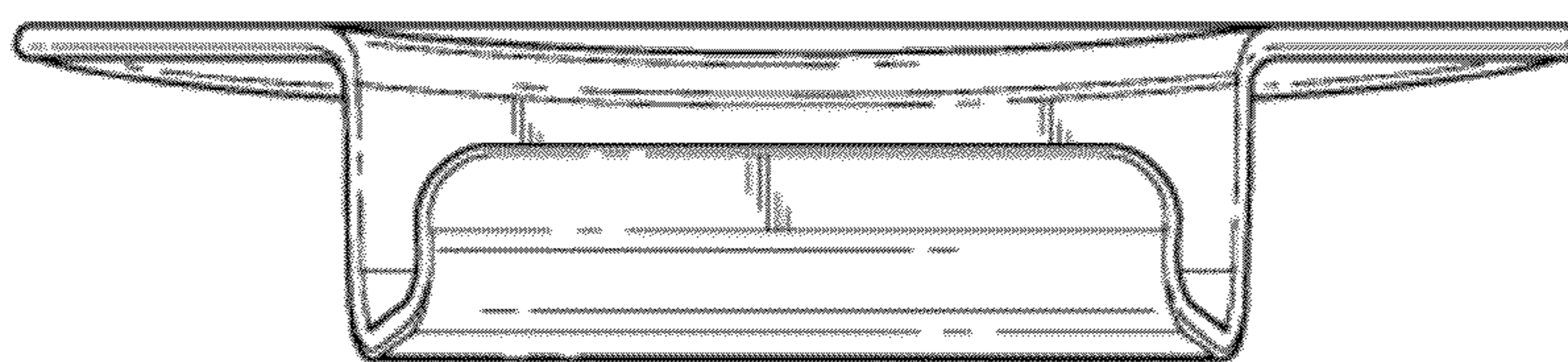


FIG. 5

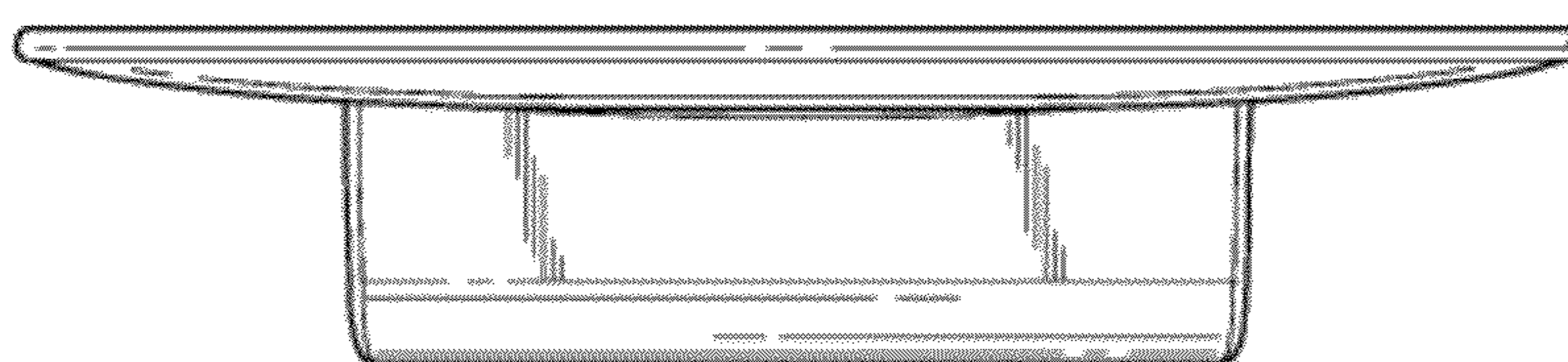


FIG. 6

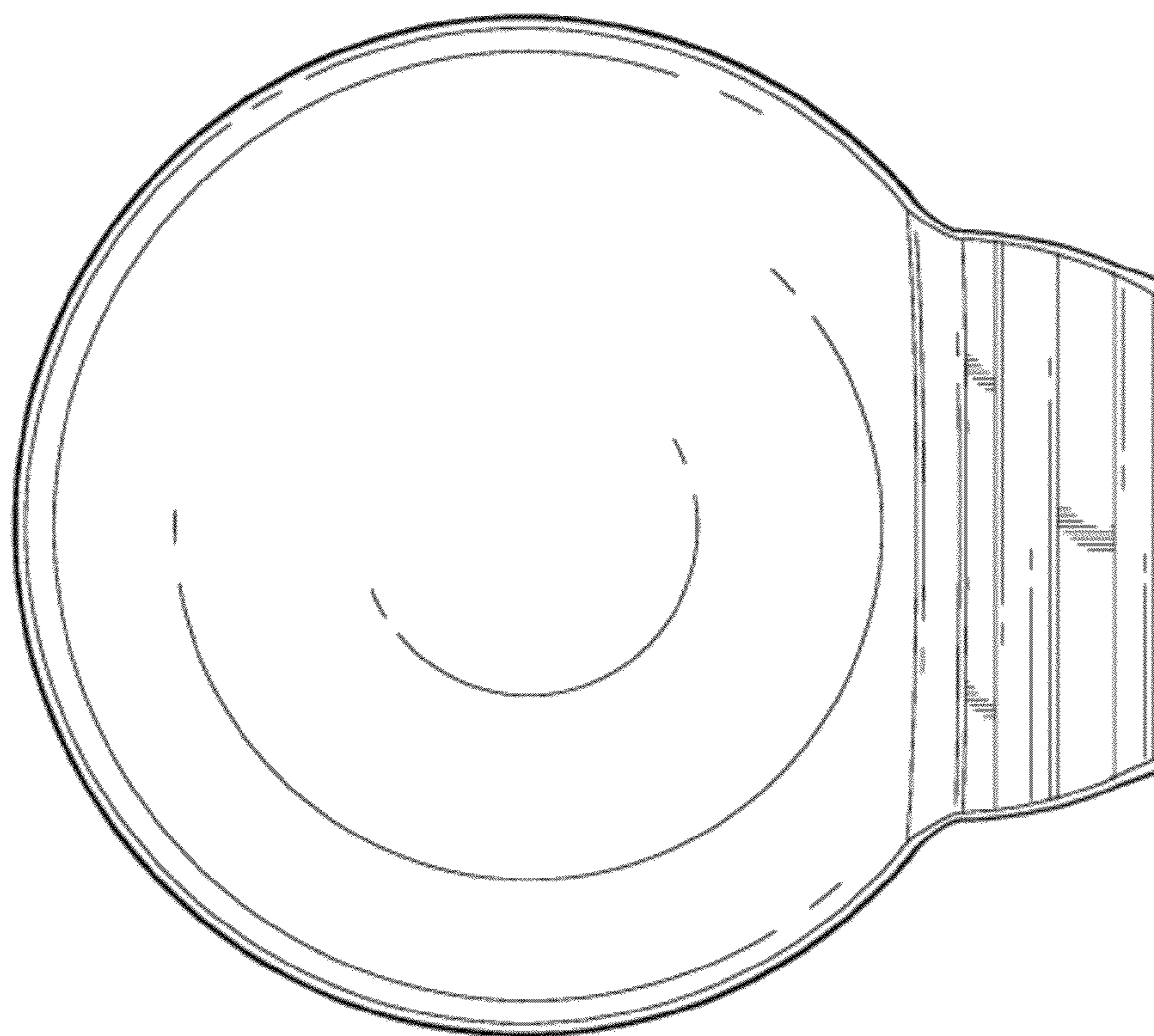


FIG. 7