



US00D662504S

(12) **United States Design Patent**  
**Lohman**

(10) **Patent No.:** **US D662,504 S**  
(45) **Date of Patent:** **\*\* Jun. 26, 2012**

(54) **CASE FOR ELECTRONIC EQUIPMENT**

(75) Inventor: **Bertil Lohman**, Sollentuna (SE)

(73) Assignee: **Clamco Invest AB**, Sollentuna (SE)

(\*\*) Term: **14 Years**

(21) Appl. No.: **29/407,539**

(22) Filed: **Nov. 30, 2011**

**Related U.S. Application Data**

(62) Division of application No. 29/360,361, filed on Apr. 23, 2010.

(30) **Foreign Application Priority Data**

Oct. 23, 2009 (EM) ..... 001627779

(51) **LOC (9) Cl.** ..... **14-02**

(52) **U.S. Cl.** ..... **D14/441; D14/432**

(58) **Field of Classification Search** ..... D14/300,  
D14/301, 308, 311, 313, 432, 433, 439, 441-446,  
D14/299; 312/294, 297, 317.1, 223.1-223.3;  
361/679.02, 679.57, 697.58, 724-726, 807;  
174/51, 350, 354, 375, 377

See application file for complete search history.

(56) **References Cited**

**U.S. PATENT DOCUMENTS**

D334,185 S \* 3/1993 Lam ..... D14/442  
D371,776 S \* 7/1996 Yang ..... D14/442  
D402,286 S \* 12/1998 Poole et al. .... D14/441  
D417,865 S \* 12/1999 Wilson et al. .... D14/441  
D447,484 S \* 9/2001 Reznikov et al. .... D14/441  
6,288,892 B1 \* 9/2001 Lanz et al. .... 361/679.58  
D474,180 S \* 5/2003 Searby et al. .... D14/313  
D480,078 S \* 9/2003 Searby et al. .... D14/313  
D480,086 S \* 9/2003 Searby et al. .... D14/444

6,628,518 B2 \* 9/2003 Behl et al. .... 361/679.47  
D483,378 S \* 12/2003 Mundt ..... D14/440  
D486,494 S \* 2/2004 Gundogan et al. .... D14/444  
D490,083 S \* 5/2004 Wu ..... D14/439  
6,863,188 B2 \* 3/2005 Besserer et al. .... 211/183  
D509,199 S \* 9/2005 Haase et al. .... D14/137  
D525,969 S \* 8/2006 Sugihara et al. .... D14/301  
D532,781 S \* 11/2006 Ohno ..... D14/300  
D561,766 S \* 2/2008 Deng ..... D14/442  
D569,865 S \* 5/2008 Ambrose et al. .... D14/356  
D570,351 S \* 6/2008 Matityahu et al. .... D14/441  
D588,136 S \* 3/2009 Kawase et al. .... D14/444  
D588,137 S \* 3/2009 Lawrence et al. .... D14/444  
D588,601 S \* 3/2009 Wang et al. .... D14/445  
D589,047 S \* 3/2009 Kawase et al. .... D14/441  
D593,565 S \* 6/2009 Dearborn et al. .... D14/445  
D627,772 S \* 11/2010 Wang et al. .... D14/313

(Continued)

**FOREIGN PATENT DOCUMENTS**

WO WO2011049527 \* 4/2011

*Primary Examiner* — Deanna L Fluegeman

(74) *Attorney, Agent, or Firm* — Young & Thompson

(57) **CLAIM**

The ornamental design for a case for electronic equipment, as shown.

**DESCRIPTION**

FIG. 1 is a front elevation view of a case for electronic equipment showing my new design;

FIG. 2 is a bottom plan view thereof;

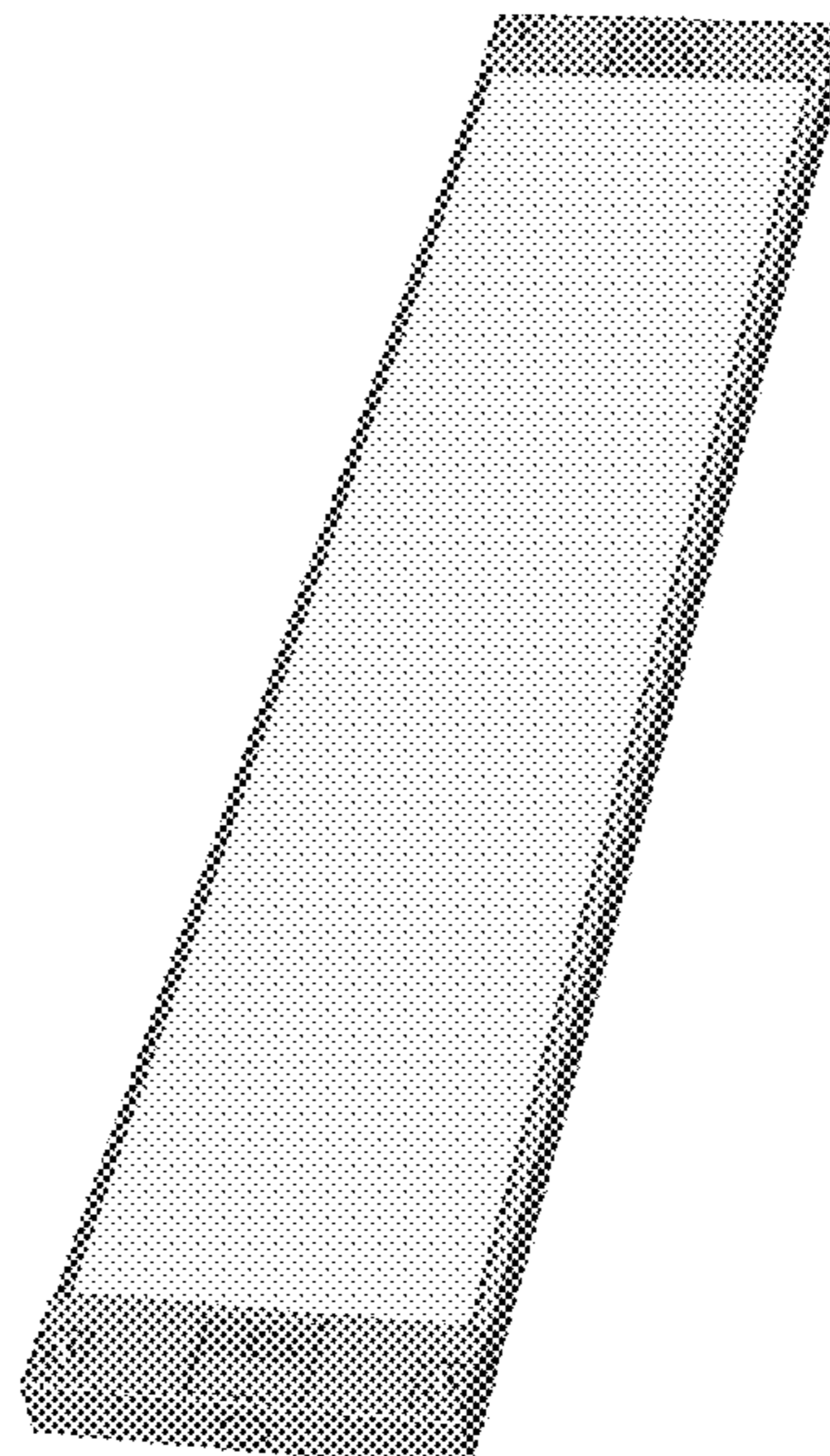
FIG. 3 is a top plan view thereof;

FIG. 4 is a front, bottom, right side perspective view thereof; and,

FIG. 5 is a front, top, left side perspective view thereof.

The tonal shading in the drawings is included for the purpose of illustrating the surface contours of the claimed design and forms no part thereof.

**1 Claim, 5 Drawing Sheets**



# US D662,504 S

Page 2

---

## U.S. PATENT DOCUMENTS

D629,807 S *	12/2010	Vaughan	.....	D14/446	2008/0314611 A1*	12/2008	Beck	.....	174/51
D631,480 S *	1/2011	Vaughan	.....	D14/446	2009/0136194 A1*	5/2009	Barnes	.....	385/135
2004/0036388 A1*	2/2004	Liljevik et al.	.....	312/257.1	2011/0175501 A1*	7/2011	Peng et al.	.....	312/223.1
2004/0228083 A1*	11/2004	Wang et al.	.....	361/683					

\* cited by examiner

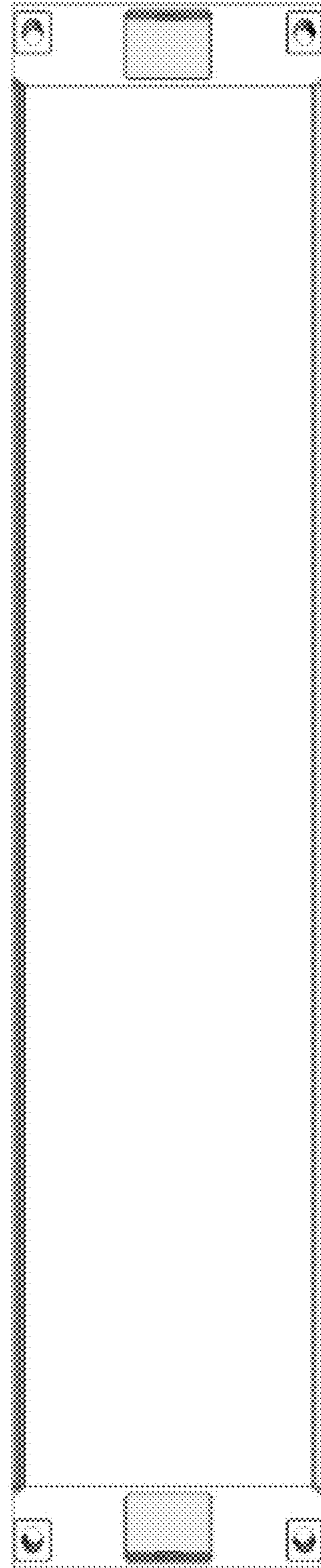


Figure 1

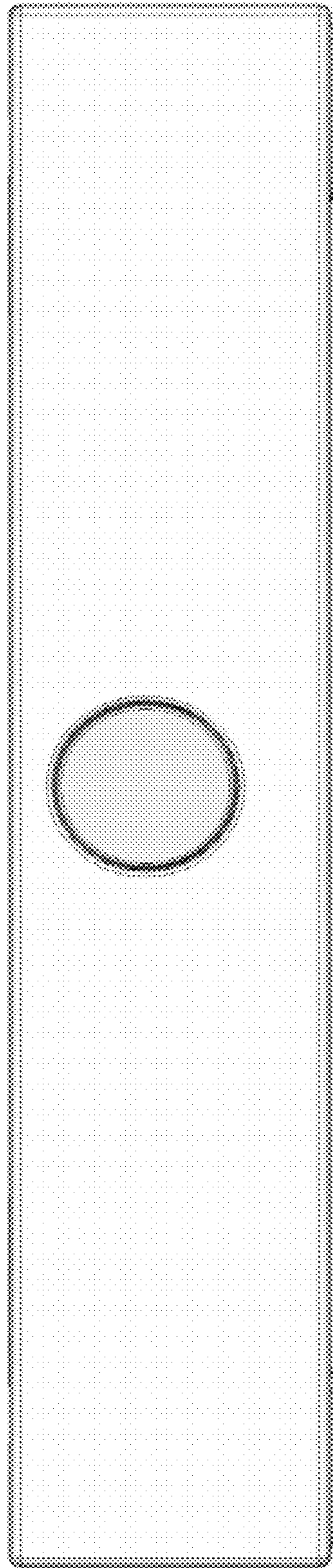
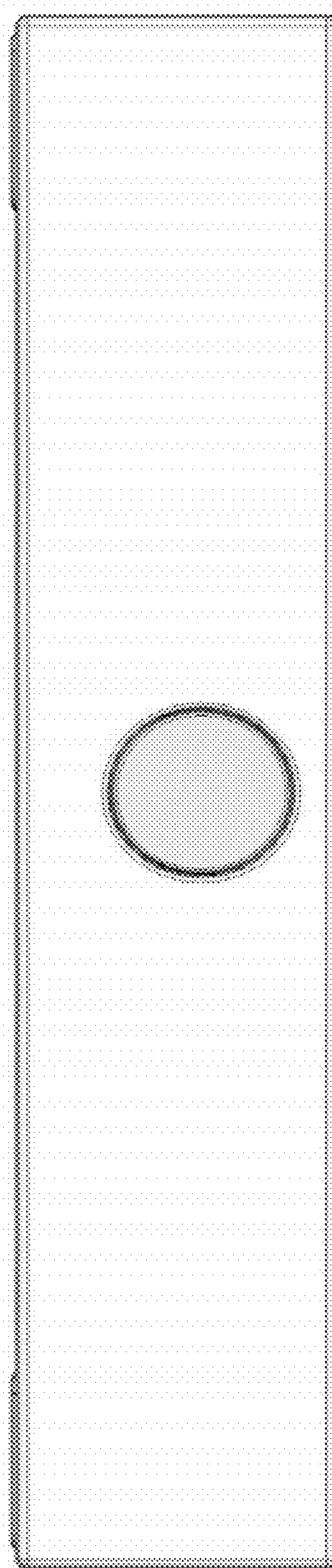


Figure 2



**Figure 3**

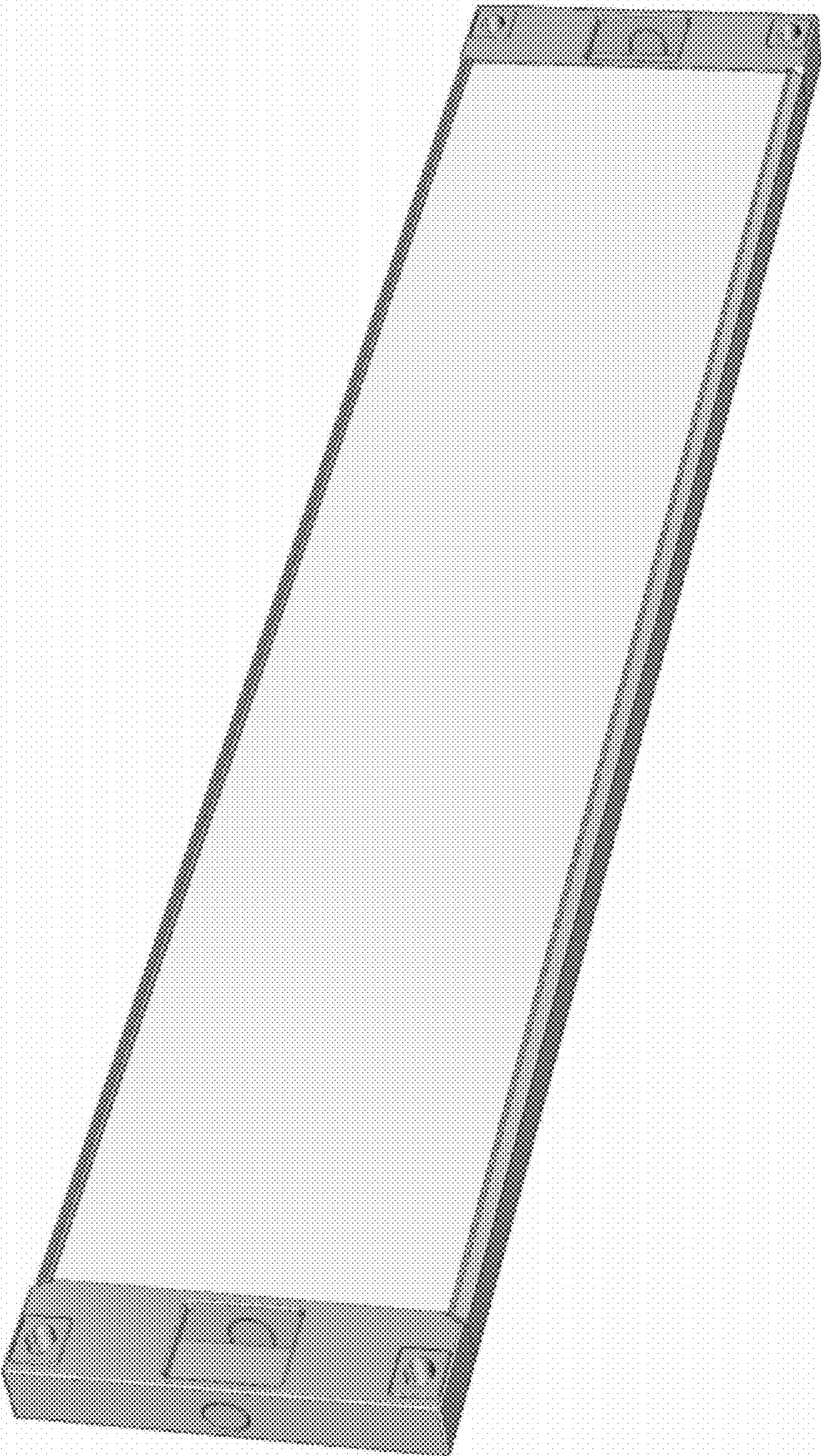


Figure 4

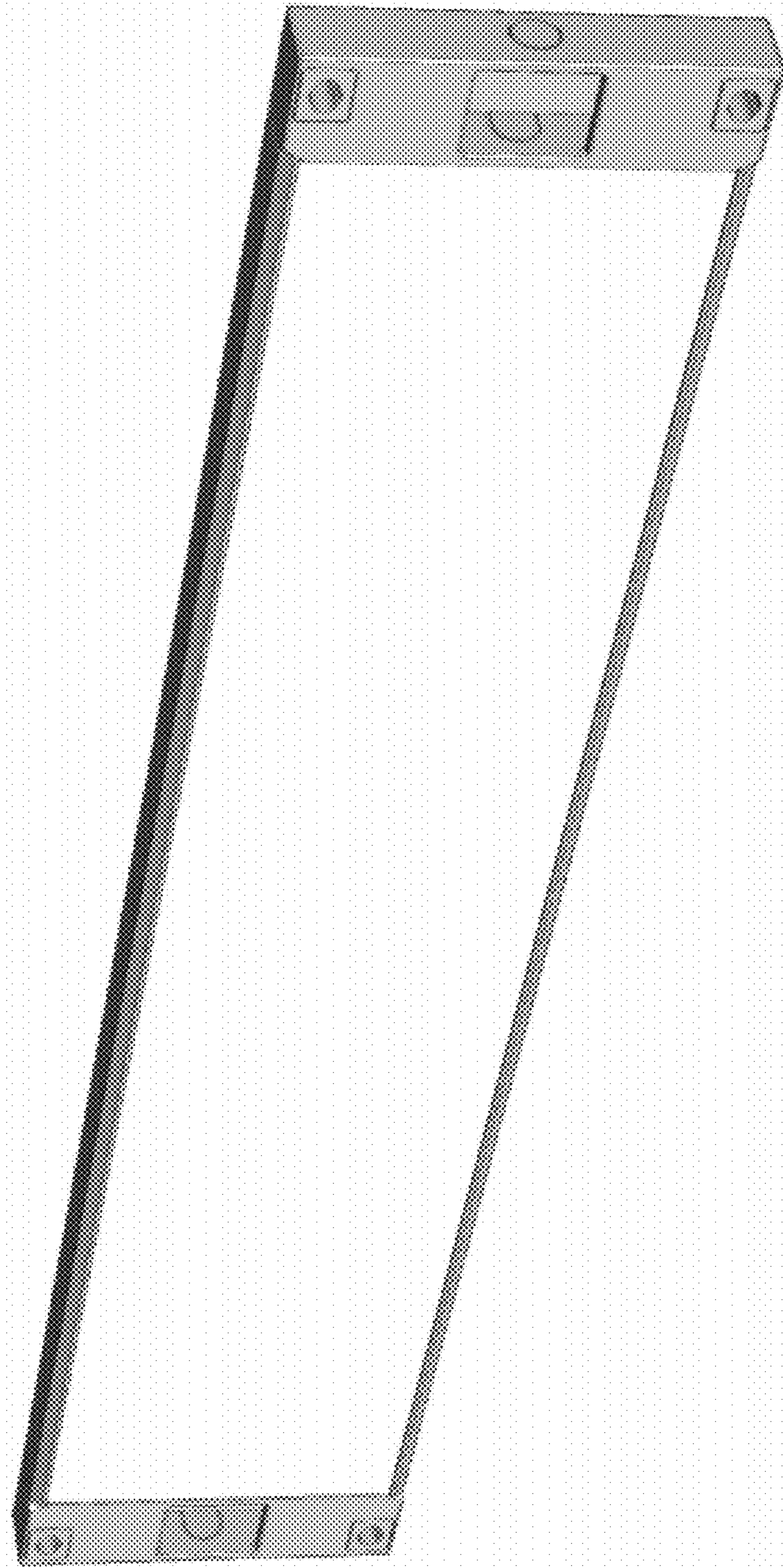


Figure 5