

US00D662502S

(12) **United States Design Patent**
Wesolek

(10) **Patent No.:** **US D662,502 S**
(45) **Date of Patent:** **** Jun. 26, 2012**

- (54) **TABLET COMPUTER CRADLE**
- (75) Inventor: **Bryan J Wesolek**, Chesterton, IN (US)
- (73) Assignee: **Data Ltd., Inc.**, LaPorte, IN (US)
- (**) Term: **14 Years**
- (21) Appl. No.: **29/385,484**
- (22) Filed: **Feb. 15, 2011**
- (51) **LOC (9) Cl.** **14-02**
- (52) **U.S. Cl.** **D14/434**
- (58) **Field of Classification Search** D14/432-434,
D14/314, 204, 420, 421, 217; D13/107,
D13/108, 146; D8/373; 248/346.03, 176.1;
361/679.14, 679.31, 679.32, 679.4, 679.41,
361/679.43, 697.55; 320/109, 112-115
See application file for complete search history.

6,149,062 A	11/2000	Danielson et al.	
6,149,063 A	11/2000	Reynolds et al.	
6,158,662 A	12/2000	Kahn et al.	
6,216,951 B1	4/2001	Swift et al.	
D442,141 S	5/2001	Ikenaga	
6,266,685 B1	7/2001	Danielson et al.	
6,394,355 B1	5/2002	Schlieffers et al.	
D460,075 S	7/2002	Destefano et al.	
6,412,697 B1	7/2002	Bridgelall et al.	
D466,511 S	12/2002	Croley et al.	
6,497,368 B1	12/2002	Friend et al.	
6,502,754 B1	1/2003	Bhatia et al.	
D472,900 S	4/2003	Matsumoto	
6,643,127 B1 *	11/2003	Richardson	361/679.4
6,644,611 B1 *	11/2003	Tai	248/292.13
6,719,201 B2	4/2004	Tamburrini et al.	
D493,802 S	8/2004	Berentzen et al.	
6,814,290 B2	11/2004	Longacre	
6,856,506 B2	2/2005	Doherty et al.	
6,882,524 B2	4/2005	Ulla et al.	
D508,916 S	8/2005	Lee	
D520,013 S *	5/2006	Yang	D14/434
7,068,496 B2	6/2006	Wong et al.	

(Continued)

(56) **References Cited**

U.S. PATENT DOCUMENTS

5,408,382 A *	4/1995	Schultz et al.	361/679.41
D359,483 S	6/1995	Saunders et al.	
5,544,010 A *	8/1996	Schultz et al.	361/679.41
D377,790 S	2/1997	Ober et al.	
D378,519 S	3/1997	Ober et al.	
5,637,856 A	6/1997	Bridgelall et al.	
5,742,475 A	4/1998	Riddiford	
5,763,865 A	6/1998	Swift et al.	
D396,033 S	7/1998	Ahearn et al.	
D397,085 S	8/1998	Blase	
5,805,474 A	9/1998	Danielson et al.	
5,828,052 A	10/1998	Reynolds et al.	
D405,256 S	2/1999	Chacon et al.	
D406,581 S	3/1999	Bhatia et al.	
5,886,338 A	3/1999	Arackellian et al.	
5,933,812 A *	8/1999	Meyer et al.	705/15
D415,742 S	10/1999	Kolls	
5,979,764 A	11/1999	Swyst et al.	
D418,500 S	1/2000	Giordano et al.	
D419,548 S	1/2000	Jones et al.	
6,042,414 A	3/2000	Kunert	
6,049,813 A	4/2000	Danielson et al.	
6,102,266 A	8/2000	Chacon et al.	

Primary Examiner — Freda S Nunn

(74) *Attorney, Agent, or Firm* — Barnes & Thornburg LLP

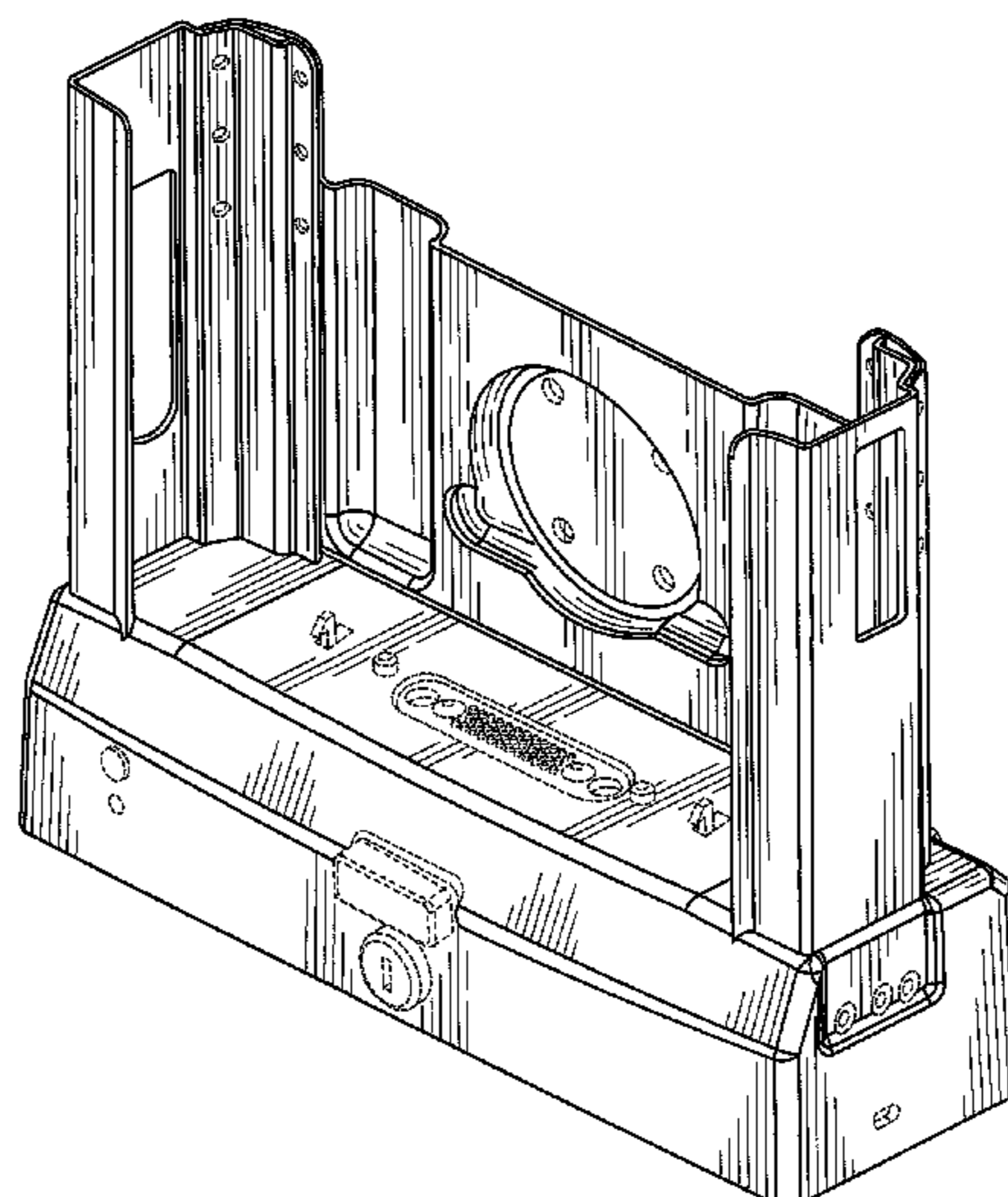
(57) **CLAIM**

I claim the ornamental design for the tablet computer cradle, as shown and described.

DESCRIPTION

FIG. 1 is a front perspective view of a tablet computer cradle according to the present invention;
 FIG. 2 is a rear perspective view thereof;
 FIG. 3 is a front view thereof;
 FIG. 4 is a rear view thereof;
 FIG. 5 is a right side view thereof;
 FIG. 6 is a left side view thereof;
 FIG. 7 is a top plan view thereof; and,
 FIG. 8 is a bottom plan view thereof.
 The features shown in broken lines do not form any part of the claimed design.

1 Claim, 6 Drawing Sheets



US D662,502 S

Page 2

U.S. PATENT DOCUMENTS

D535,655 S 1/2007 Araki
7,236,356 B2 6/2007 Ulla et al.
D586,384 S 2/2009 Yamaguchi et al.
7,515,408 B2 4/2009 Bakker et al.
D595,722 S * 7/2009 Miyawaki D14/447
D598,453 S * 8/2009 Solomon et al. D14/434
D601,089 S 9/2009 Lin
D602,933 S 10/2009 Huang et al.
7,708,240 B2 * 5/2010 Homer et al. 248/130
D621,405 S * 8/2010 Waite et al. D14/434

D627,785 S 11/2010 Bouthillier
2003/0235029 A1 12/2003 Doherty et al.
2004/0140966 A1 7/2004 Marggraff et al.
2005/0200608 A1 9/2005 Ulla et al.
2005/0213297 A1 9/2005 Ulla et al.
2005/0213298 A1 9/2005 Doherty et al.
2006/0017706 A1 1/2006 Cutherell et al.
2006/0044288 A1 3/2006 Nakamura et al.
2006/0221565 A1 10/2006 Doherty et al.

* cited by examiner

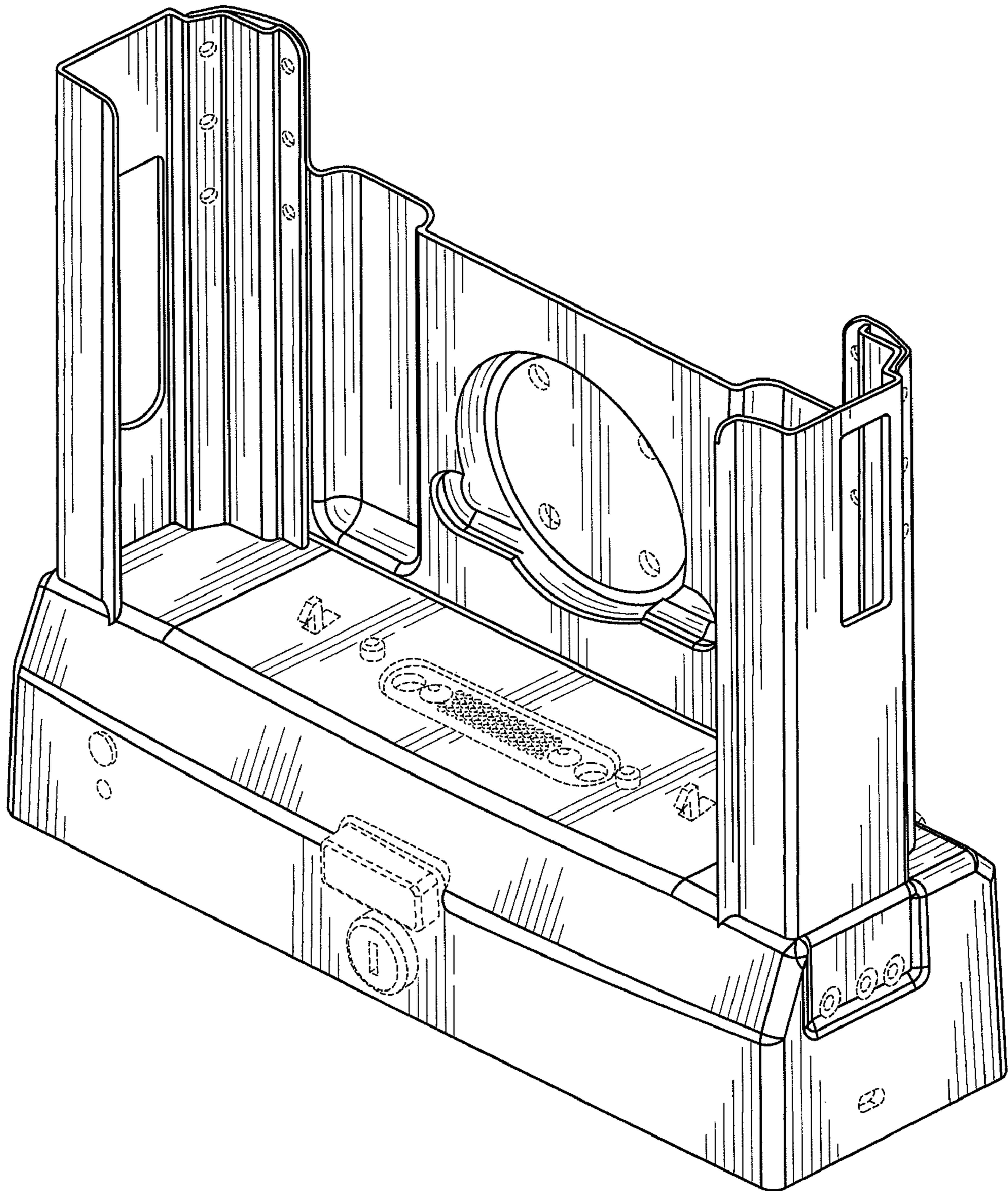


FIG. 1

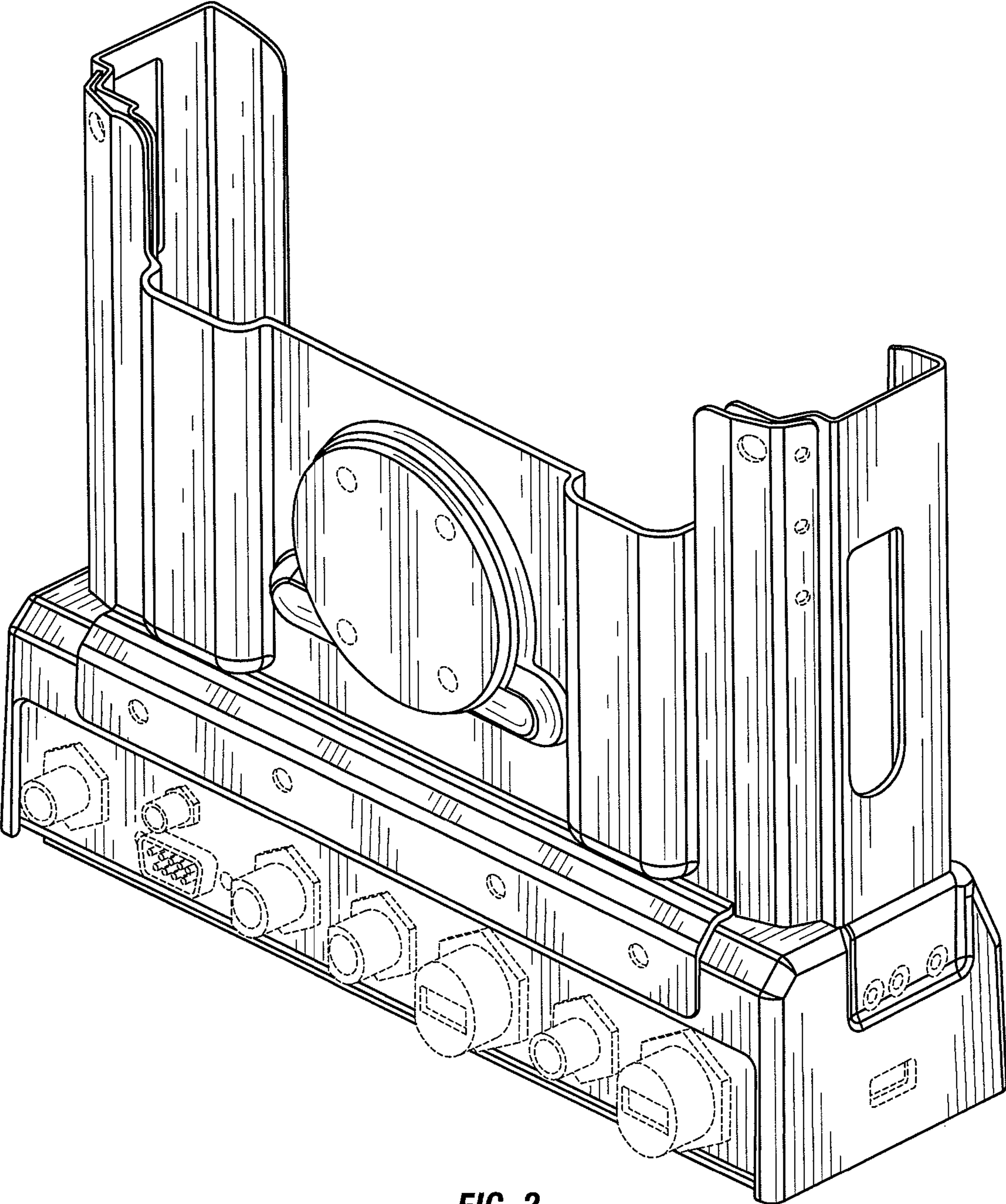


FIG. 2

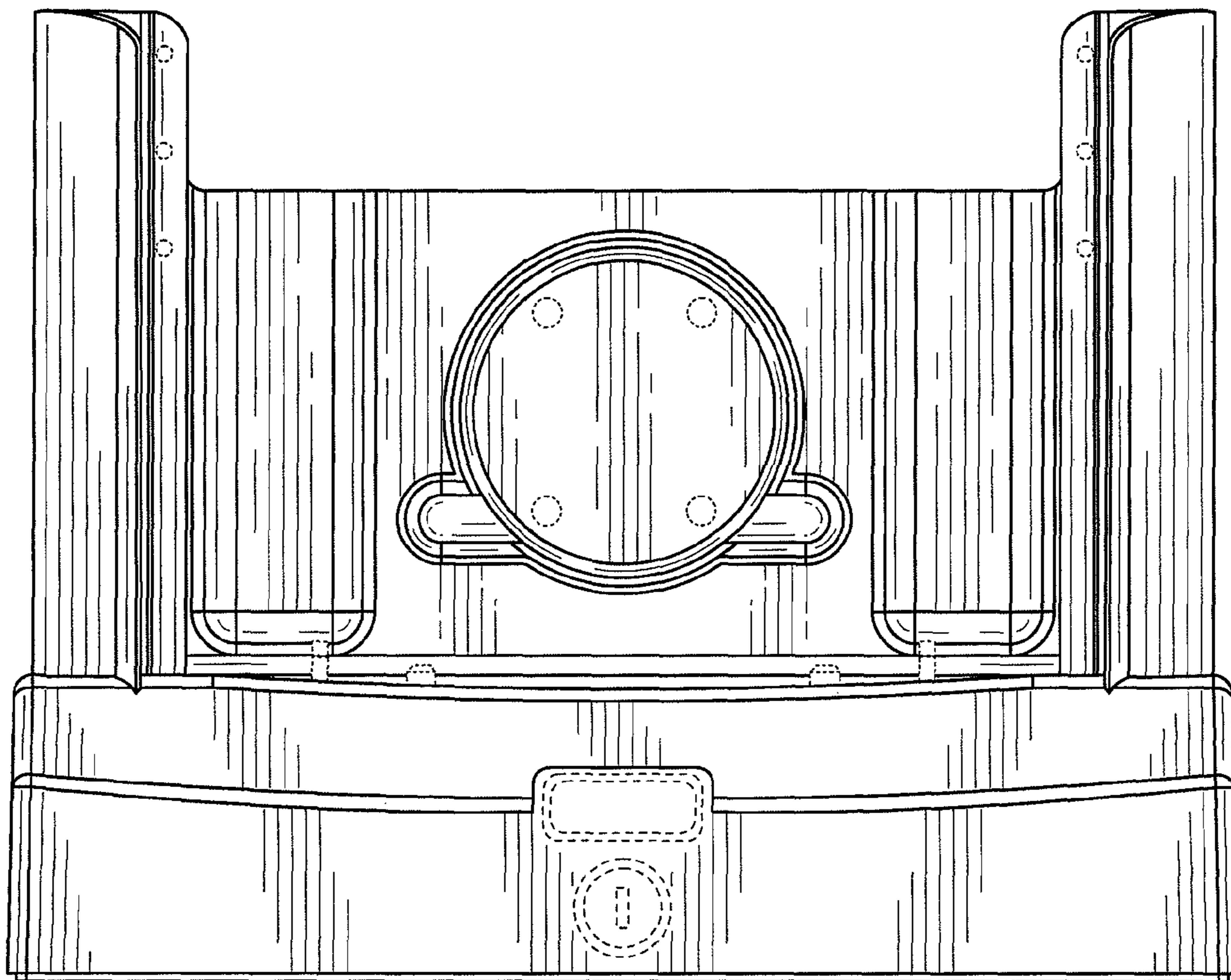


FIG. 3

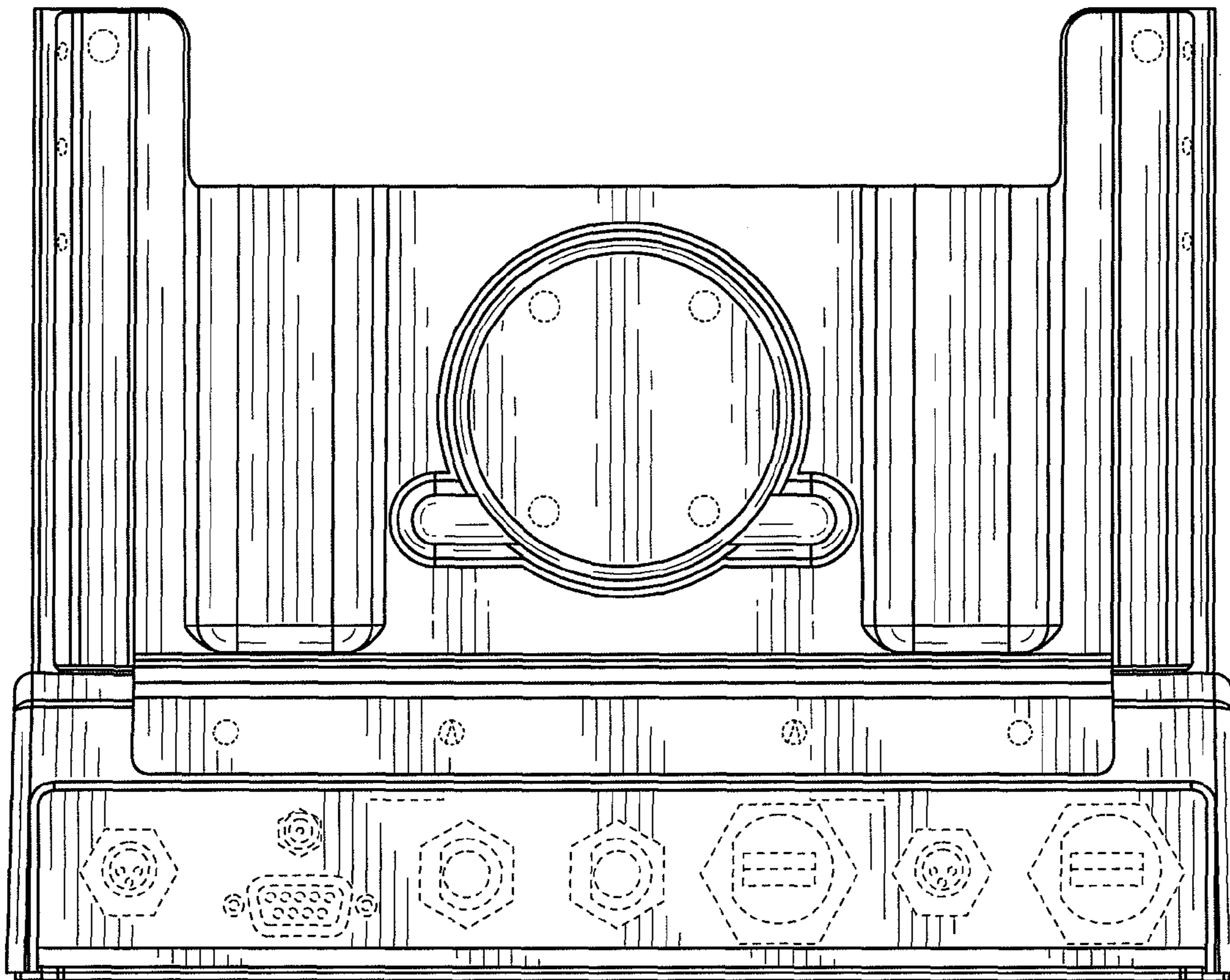


FIG. 4

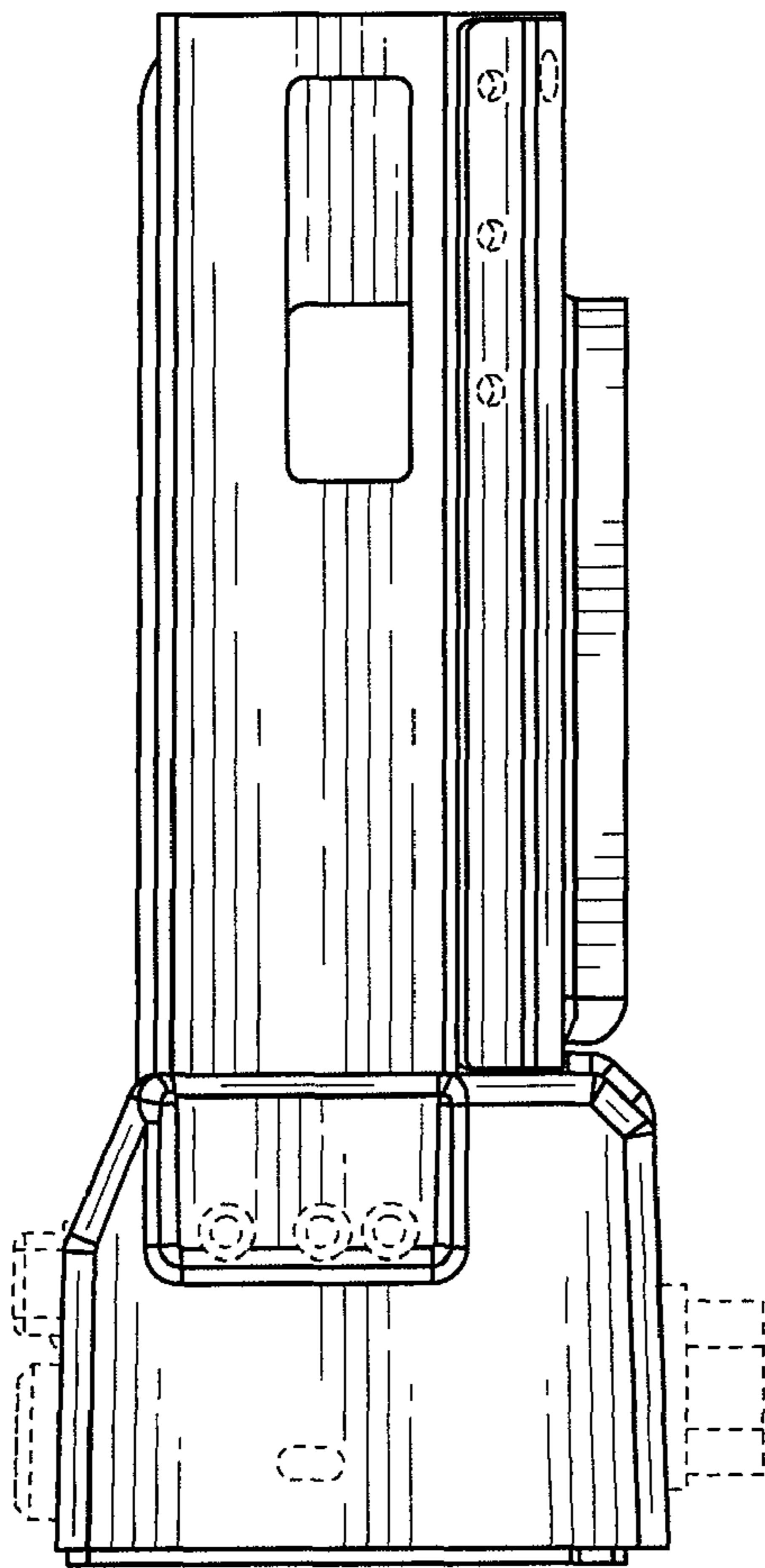


FIG. 5

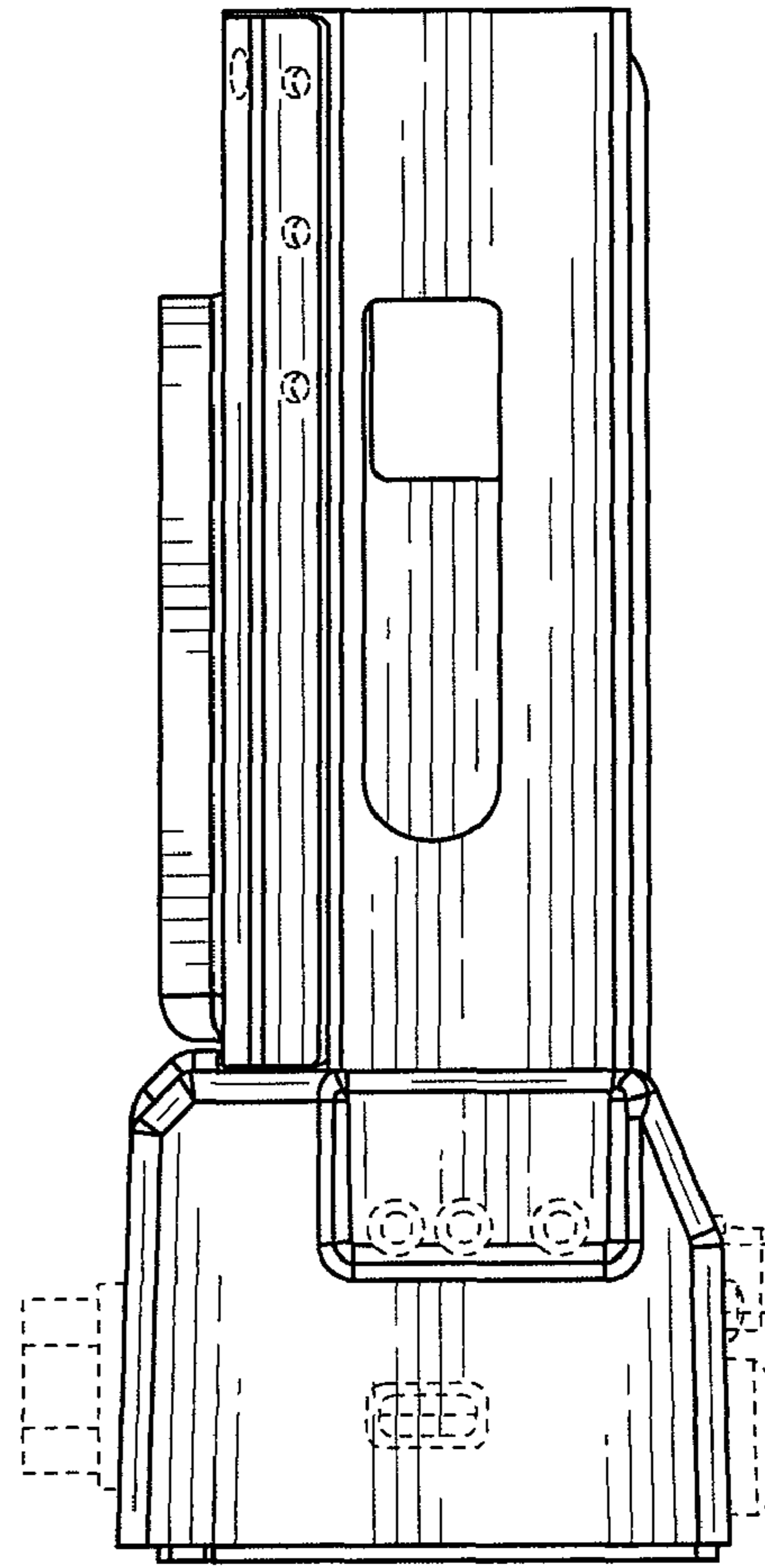


FIG. 6

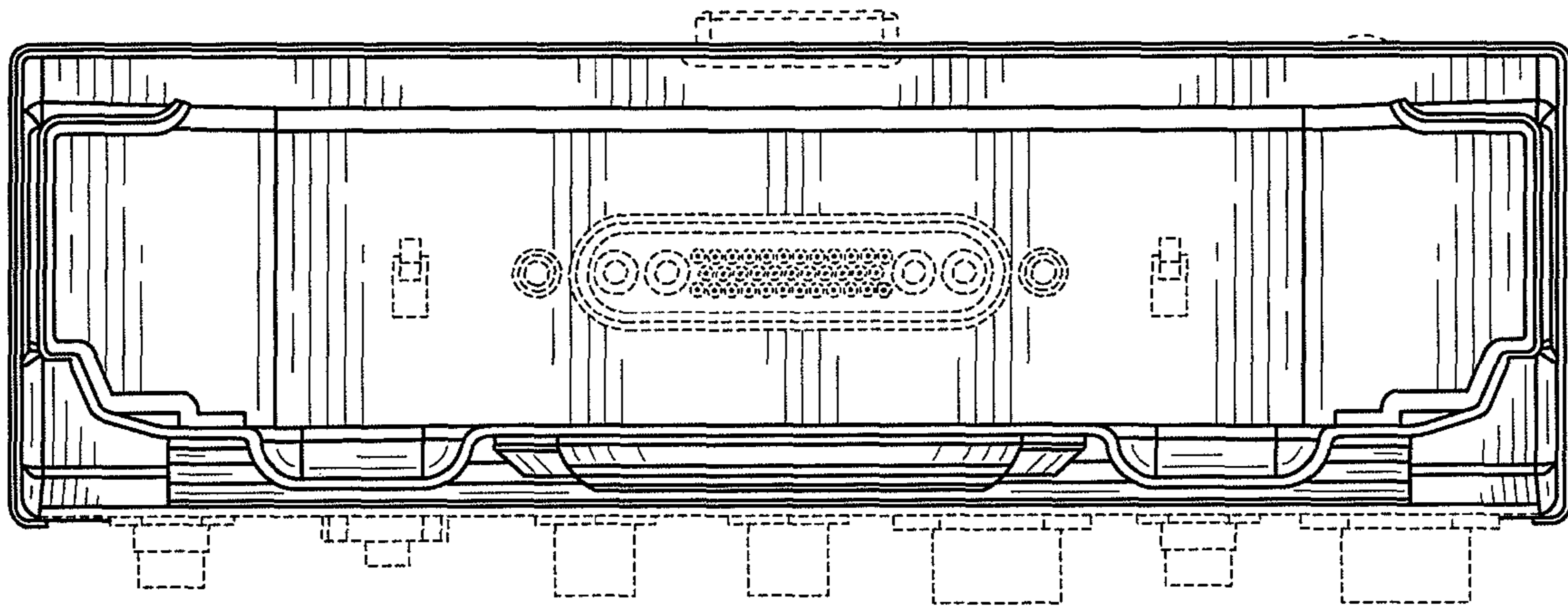


FIG. 7

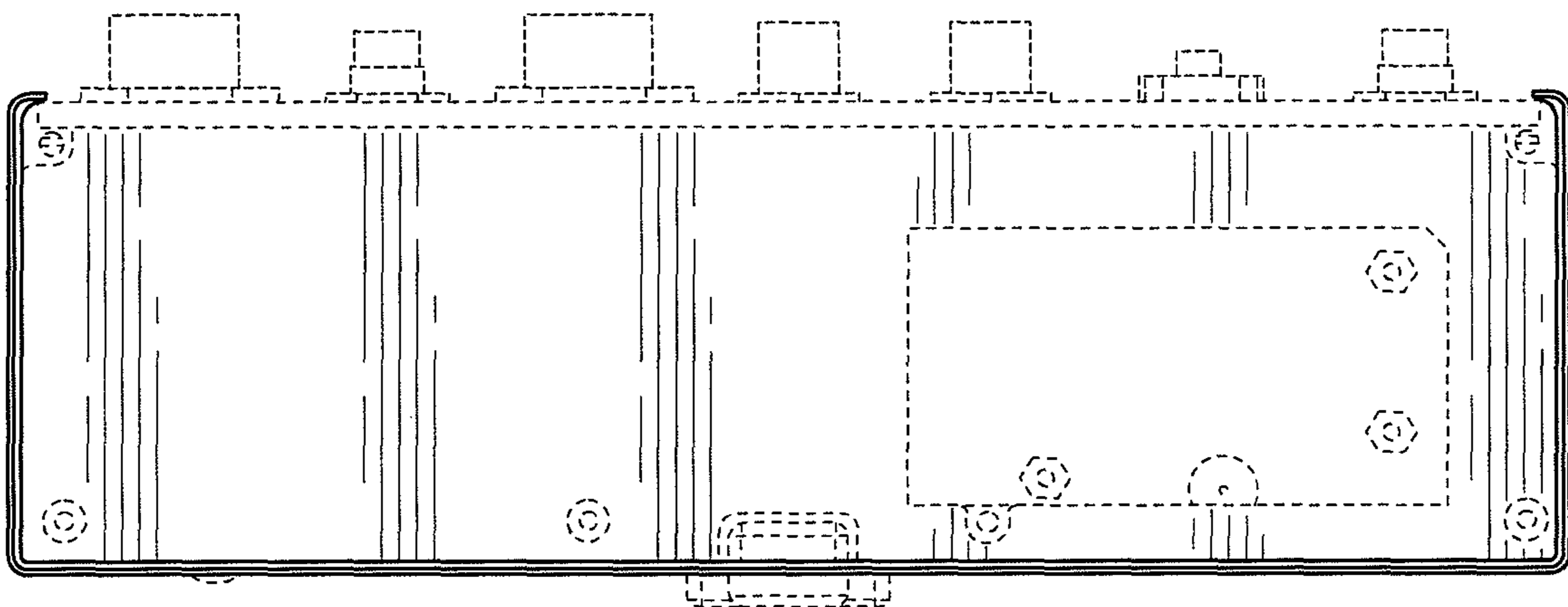


FIG. 8