



US00D662501S

(12) **United States Design Patent**
Lohman

(10) **Patent No.:** **US D662,501 S**
(45) **Date of Patent:** **** Jun. 26, 2012**

(54) **FASTENING DEVICE FOR A CASE FOR ELECTRONIC EQUIPMENT**

(75) Inventor: **Bertil Lohman**, Sollentuna (SE)

(73) Assignee: **Clamco Invest AB**, Sollentuna (SE)

(**) Term: **14 Years**

(21) Appl. No.: **29/407,548**

(22) Filed: **Nov. 30, 2011**

Related U.S. Application Data

(62) Division of application No. 29/360,361, filed on Apr. 23, 2010.

(30) **Foreign Application Priority Data**

Oct. 23, 2009 (EM) 001627779

(51) **LOC (9) Cl.** **14-02**

(52) **U.S. Cl.** **D14/432; D8/382**

(58) **Field of Classification Search** D14/300,
D14/301, 308, 311, 313, 432, 433, 439, 441-446,
D14/299; 312/294, 297, 317.1, 223.1-223.3;
361/679.02, 679.57, 697.58, 724-726, 807;
174/51, 350, 354, 375, 377; D8/382, 394,
D8/499

See application file for complete search history.

(56) **References Cited**

U.S. PATENT DOCUMENTS

D264,046 S * 4/1982 **Magner** D8/382
D264,048 S * 4/1982 **Magner** D8/382
D334,815 S * 4/1993 **Bunger** D25/113
D388,074 S * 12/1997 **Laituri et al.** D14/442
6,288,892 B1 * 9/2001 **Lanz et al.** 361/679.58
D472,729 S * 4/2003 **Udommahuntisuk** D6/407
D480,086 S * 9/2003 **Searby et al.** D14/444
6,628,518 B2 * 9/2003 **Behl et al.** 361/679.47

D483,200 S * 12/2003 **Udommahuntisuk** D6/407
D490,083 S * 5/2004 **Wu** D14/439
6,863,188 B2 * 3/2005 **Besserer et al.** 211/183
D525,969 S * 8/2006 **Sugihara et al.** D14/301
D555,161 S * 11/2007 **Cox et al.** D14/445
D566,119 S * 4/2008 **Dearborn et al.** D14/446
D588,601 S * 3/2009 **Wang et al.** D14/445
D629,807 S * 12/2010 **Vaughan** D14/446
D629,920 S * 12/2010 **Tezak et al.** D25/114
D635,584 S * 4/2011 **Ohno** D14/500
2004/0036388 A1 * 2/2004 **Liljevik et al.** 312/257.1
2004/0228083 A1 * 11/2004 **Wang et al.** 361/683
2007/0044408 A1 * 3/2007 **Hsu** 52/506.05
2008/0314611 A1 * 12/2008 **Beck** 174/51
2009/0136194 A1 * 5/2009 **Barnes** 385/135
2011/0175501 A1 * 7/2011 **Peng et al.** 312/223.1

FOREIGN PATENT DOCUMENTS

WO WO2011049527 * 4/2011

* cited by examiner

Primary Examiner — Deanna L Fluegeman

(74) *Attorney, Agent, or Firm* — Young & Thompson

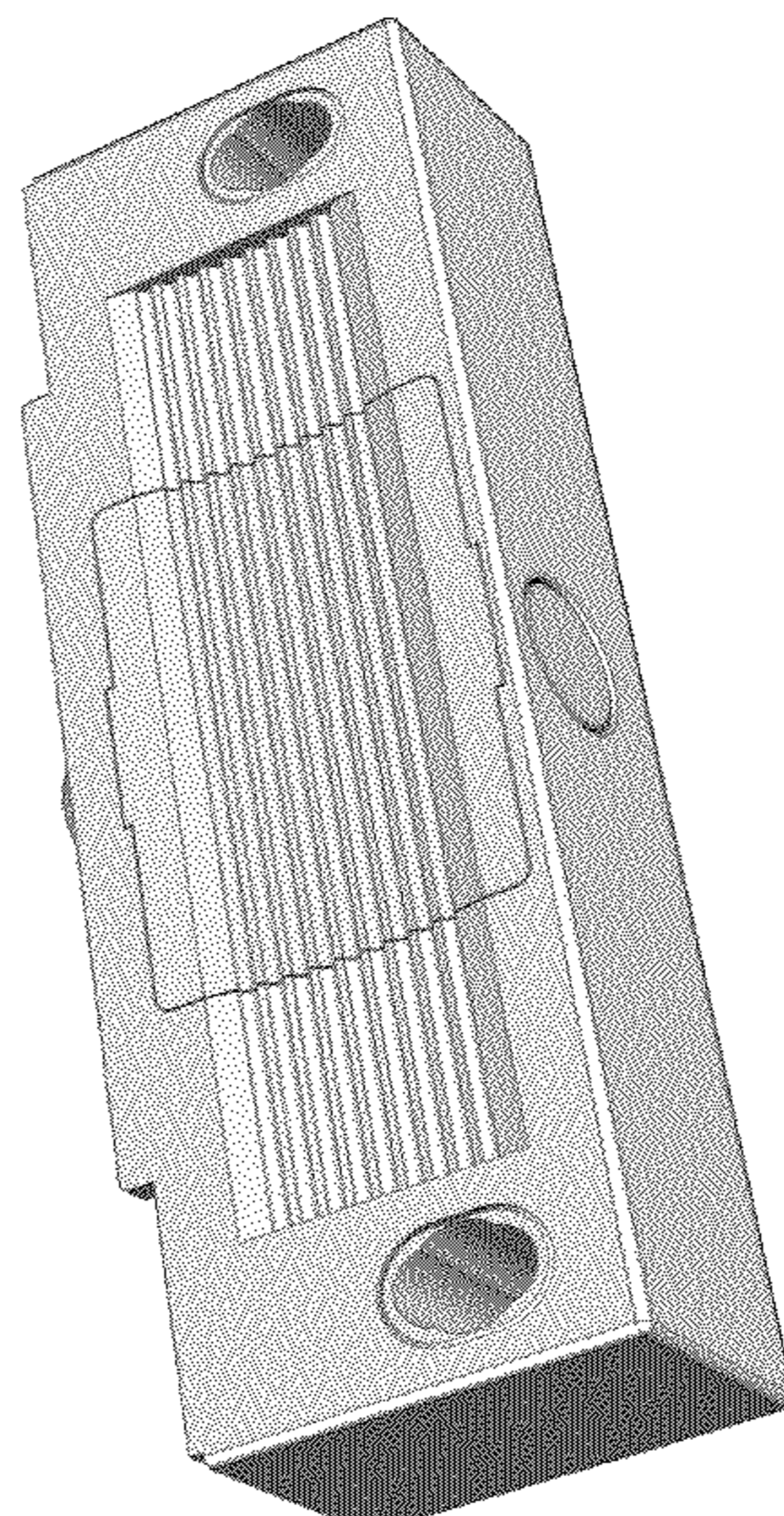
(57) **CLAIM**

The ornamental design for a fastening device for a case for electronic equipment, as shown.

DESCRIPTION

FIG. 1 is a bottom plan view of a fastening device for a case for electronic equipment showing my new design;
FIG. 2 is a top plan view thereof;
FIG. 3 is a front elevation view thereof;
FIG. 4 is a right side elevation view thereof;
FIG. 5 is a left side elevation view thereof;
FIG. 6 is a rear, right side, top perspective view thereof; and,
FIG. 7 is a front, left side, bottom perspective view thereof.
The tonal shading in the drawings is included for the purpose of illustrating the surface contours of the claimed design and forms no part thereof.

1 Claim, 7 Drawing Sheets



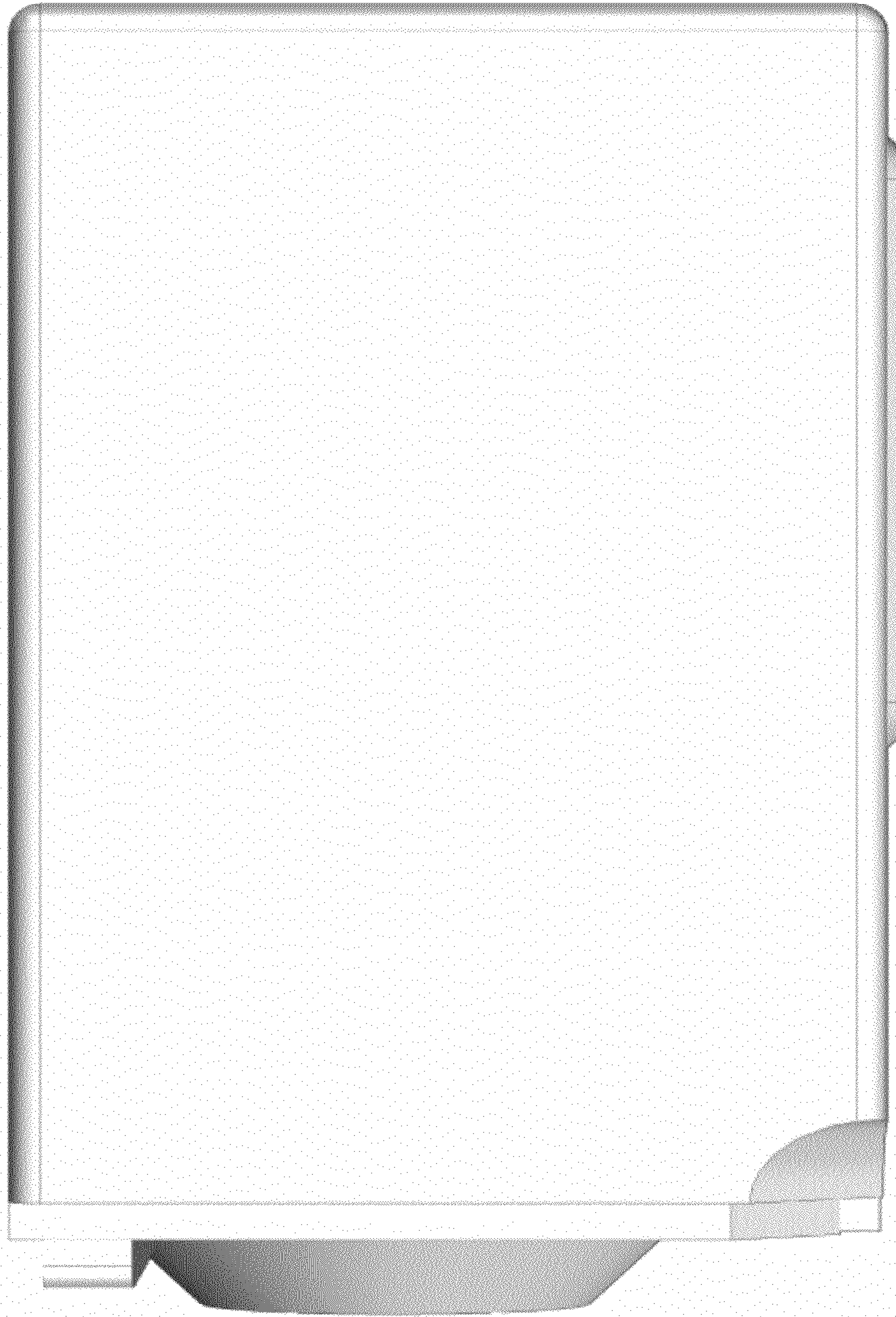


Figure 1

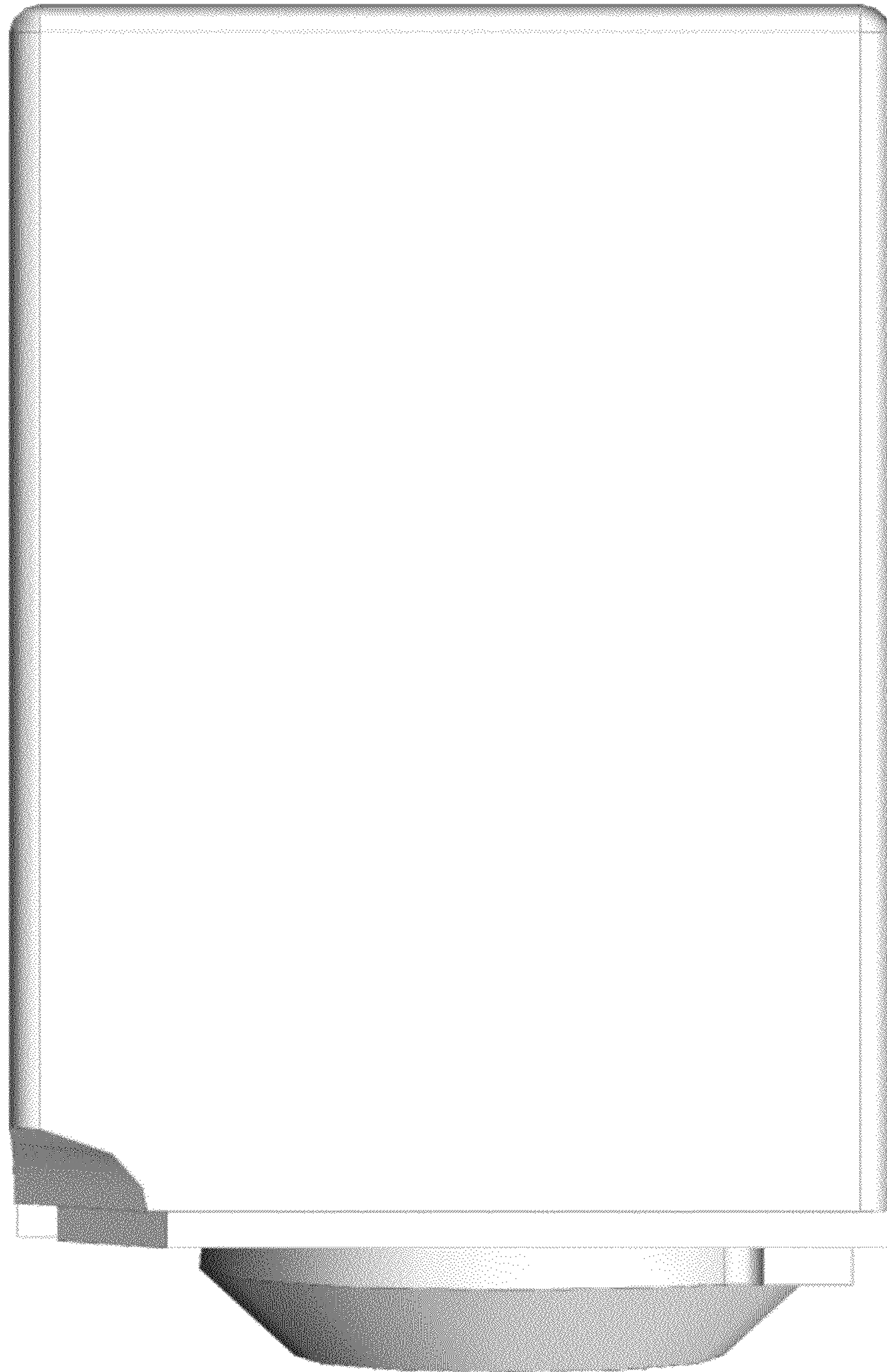


Figure 2

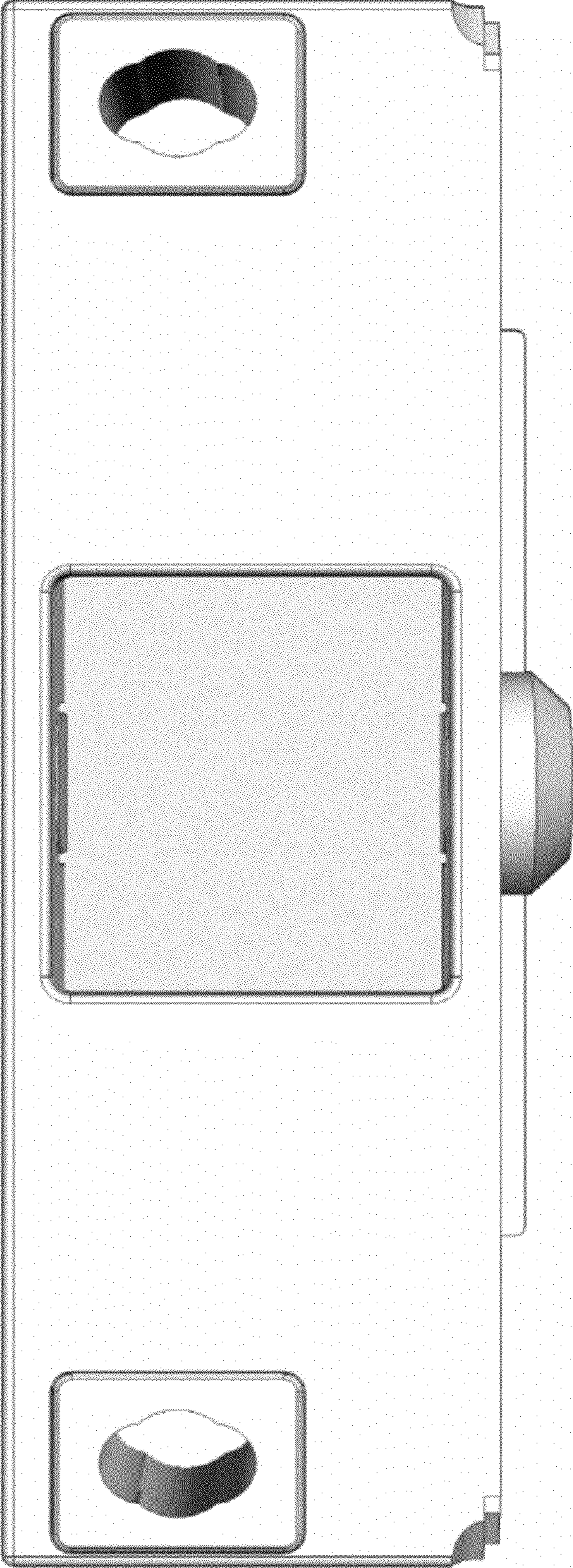


Figure 3

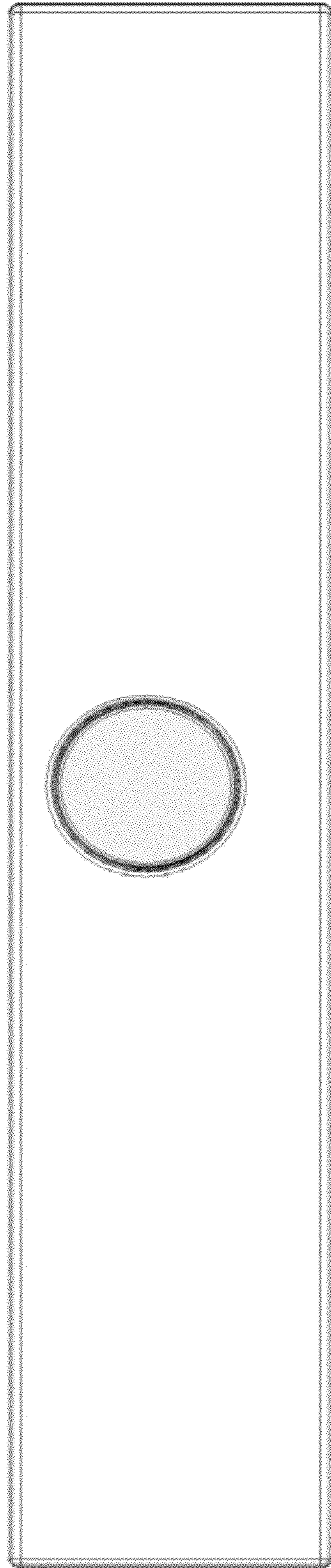


Figure 4

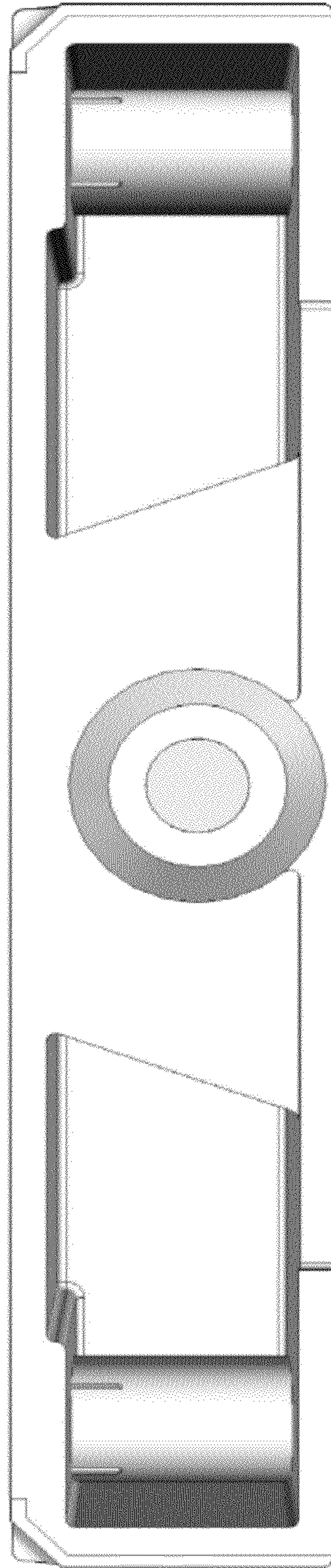


Figure 5

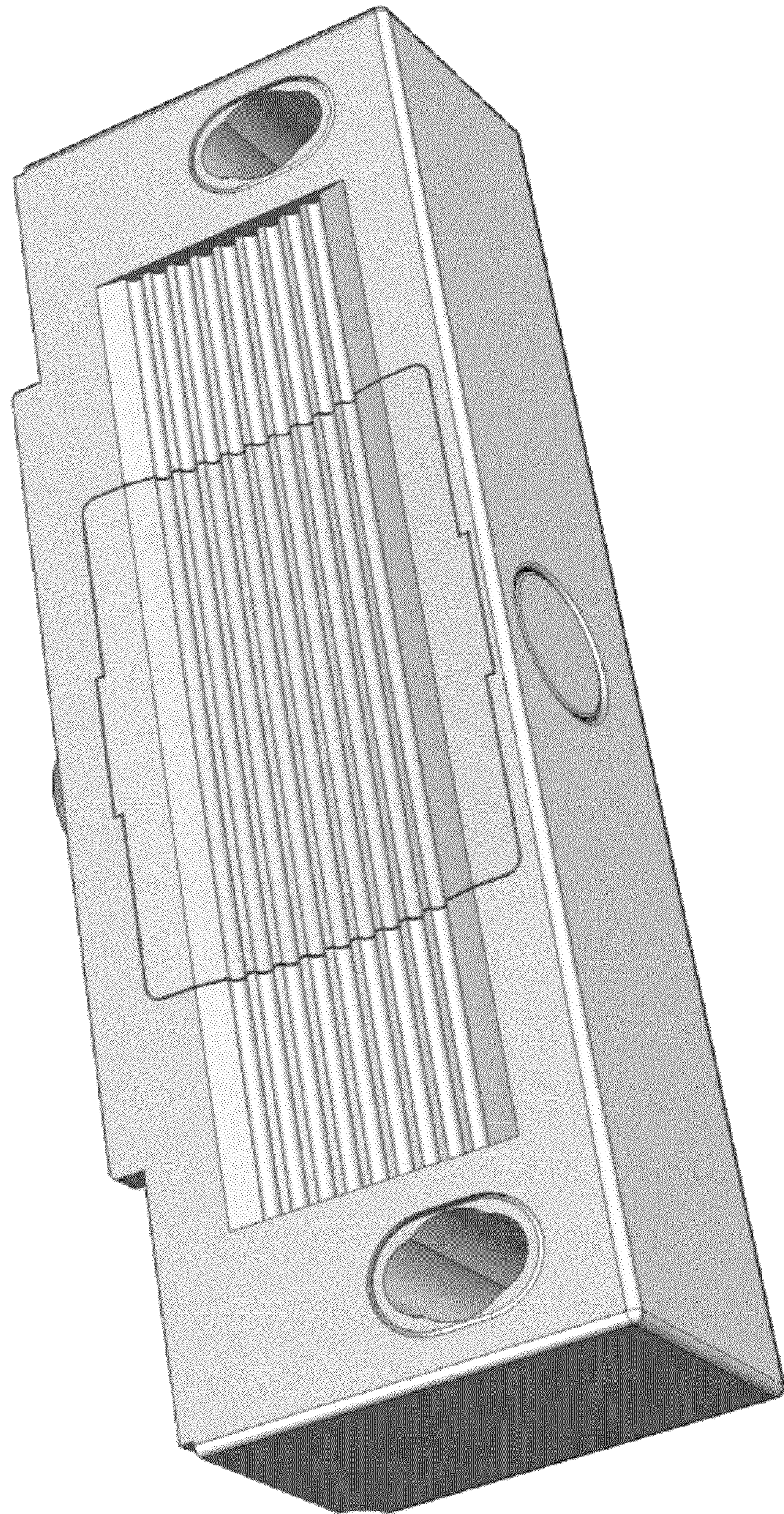


Figure 6

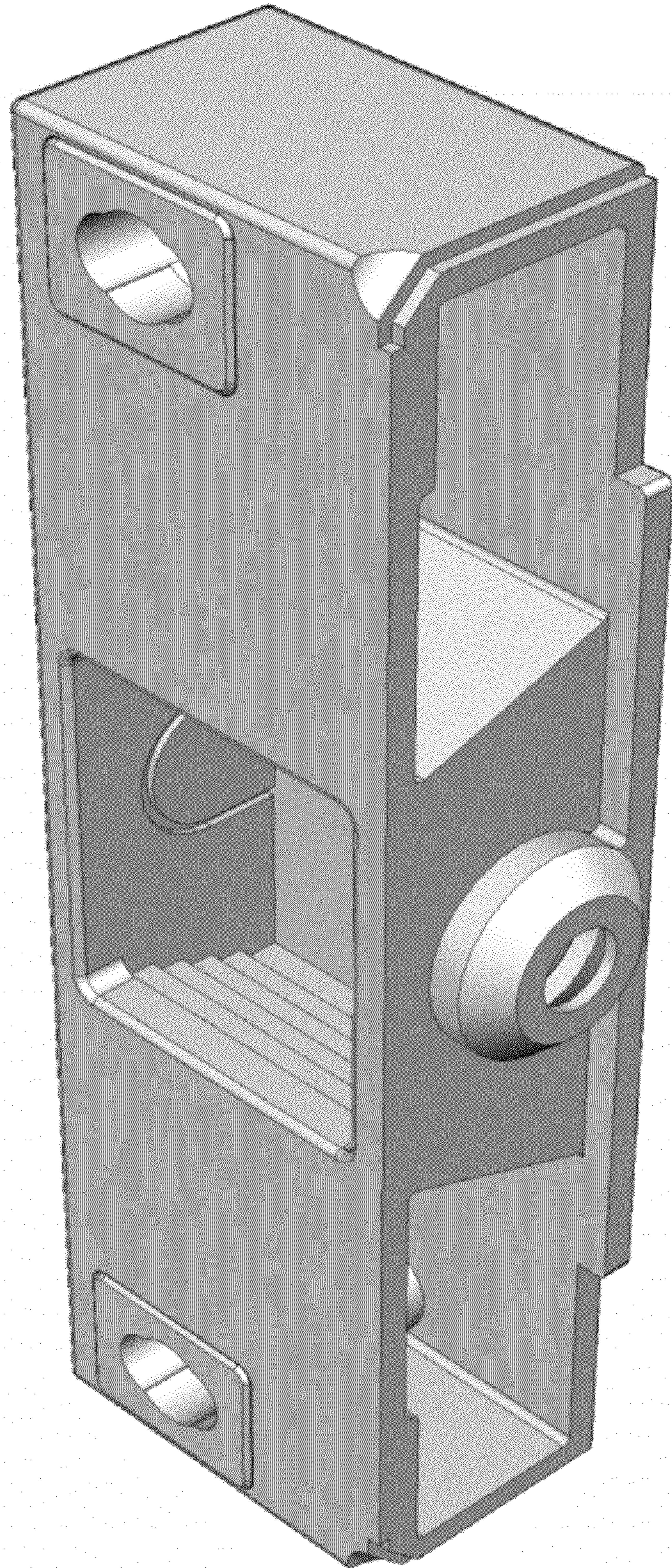


Figure 7