



US00D662500S

(12) **United States Design Patent**
OQuin

(10) **Patent No.:** **US D662,500 S**

(45) **Date of Patent:** **** Jun. 26, 2012**

- (54) **FINGER-MOUNTED STYLUS**
- (76) Inventor: **A. Ray OQuin**, Pampa, TX (US)
- (**) Term: **14 Years**
- (21) Appl. No.: **29/415,536**
- (22) Filed: **Mar. 12, 2012**
- (51) **LOC (9) Cl.** **14-02**
- (52) **U.S. Cl.** **D14/411**
- (58) **Field of Classification Search** D8/61;
D14/411; D19/35, 36, 41-51, 54-58; 401/55,
401/99, 100, 104-107, 196, 197, 202, 208,
401/209, 213, 192, 195, 243; 708/107; 345/179,
345/173; 178/19.01; 700/94
See application file for complete search history.

D458,933 S *	6/2002	Schneider	D14/411
6,533,480 B2	3/2003	Schneider		
6,626,598 B2 *	9/2003	Schneider	401/8
D487,896 S	3/2004	Tanner, Jr.		
D544,484 S *	6/2007	Hussaini et al.	D14/411
D570,915 S *	6/2008	De Beer	D19/57
D576,625 S	9/2008	Trigg et al.		
D639,808 S	6/2011	Smith		

* cited by examiner

Primary Examiner — Austin Murphy

(74) *Attorney, Agent, or Firm* — Montgomery Patent & Design, LLC; Robert C. Montgomery; Joseph T. Yaksich

(57) **CLAIM**

The ornamental design for a finger-mounted stylus, as shown and described.

DESCRIPTION

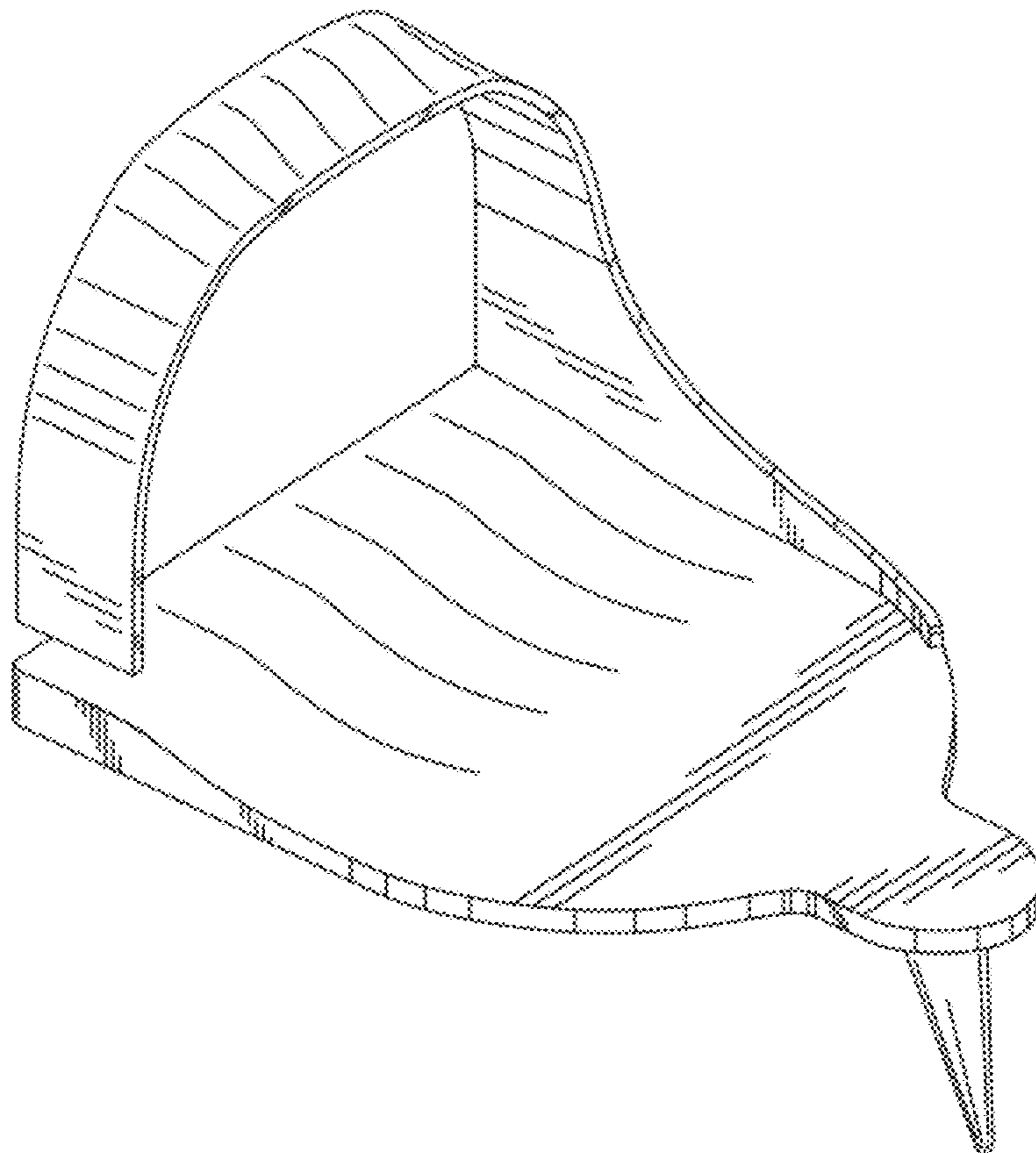
FIG. 1 is a perspective view of a finger-mounted stylus, showing my new design;
 FIG. 2 is a front view thereof;
 FIG. 3 is a rear view thereof;
 FIG. 4 is a left side view thereof;
 FIG. 5 is a right side view thereof;
 FIG. 6 is a top view thereof; and,
 FIG. 7 is a bottom view thereof.

1 Claim, 7 Drawing Sheets

(56) **References Cited**

U.S. PATENT DOCUMENTS

3,048,149 A	8/1962	Guttman		
D212,981 S	12/1968	Laybourne		
D246,904 S *	1/1978	MacIntosh	D19/41
D248,028 S	5/1978	Huffman		
D418,494 S	1/2000	Robb		
D440,570 S *	4/2001	Schneider	D14/411
6,225,988 B1 *	5/2001	Robb	345/179
6,249,277 B1 *	6/2001	Varveris	345/179
6,320,570 B2 *	11/2001	Robb	345/179



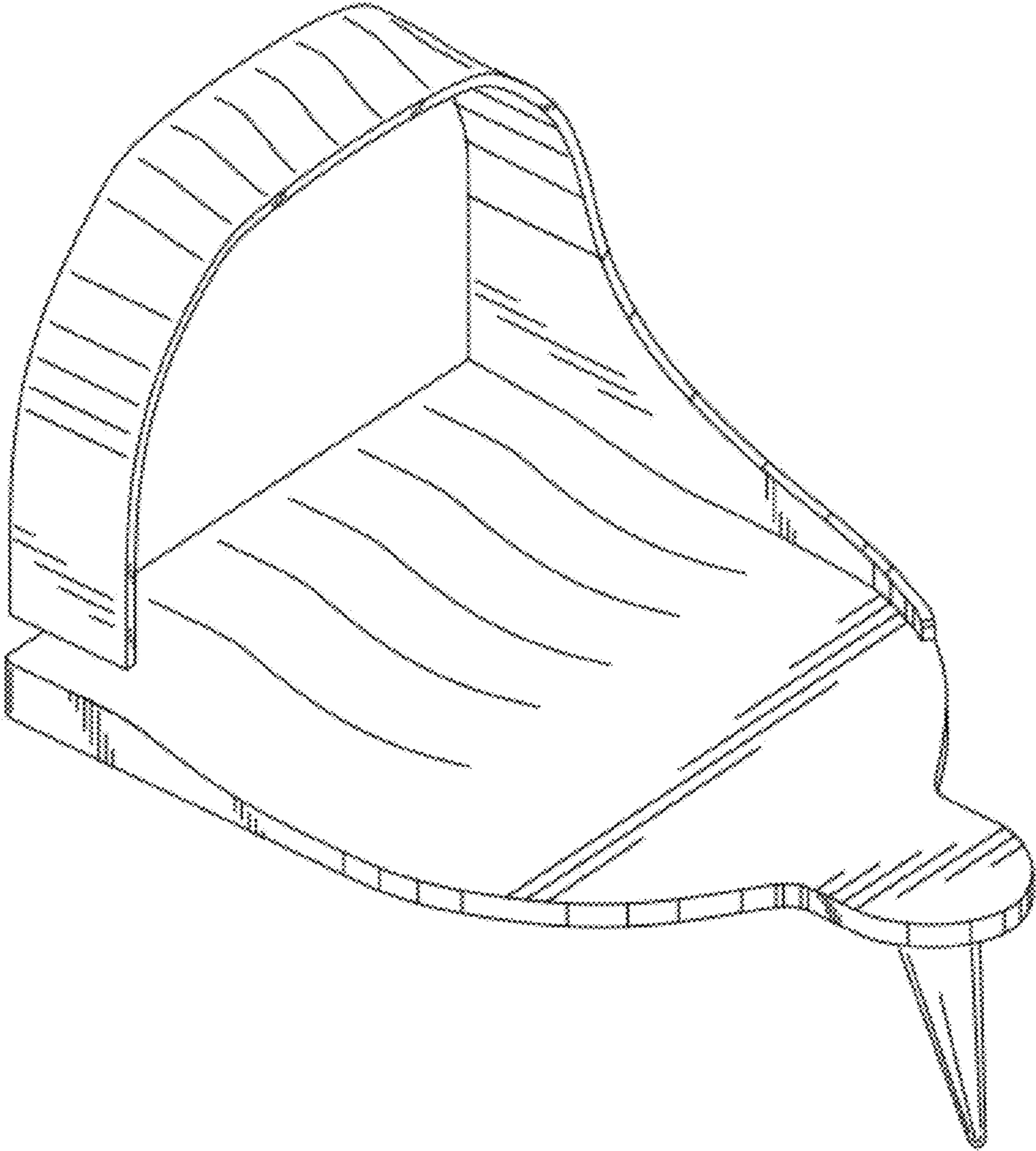


Fig. 1

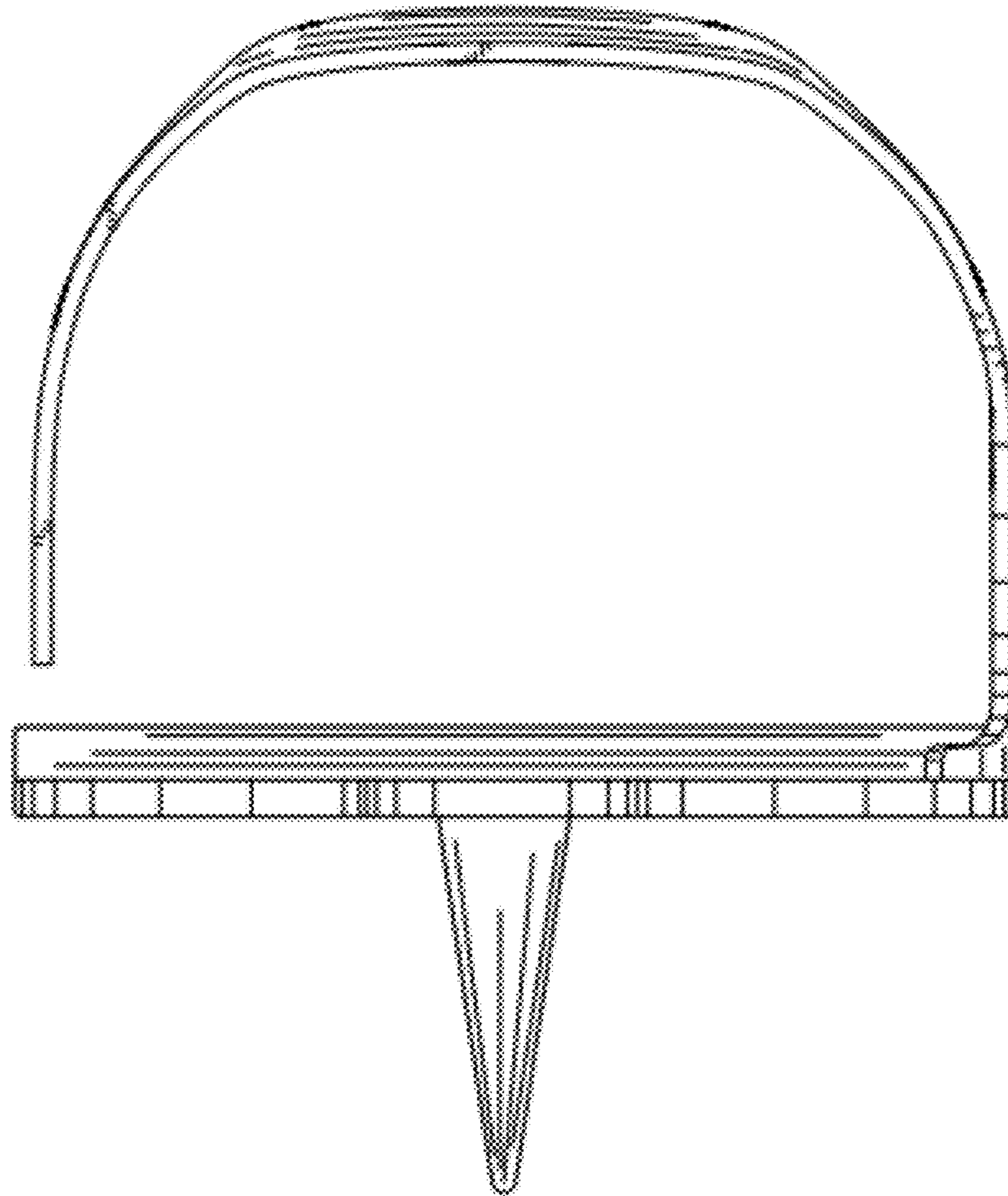


Fig. 2

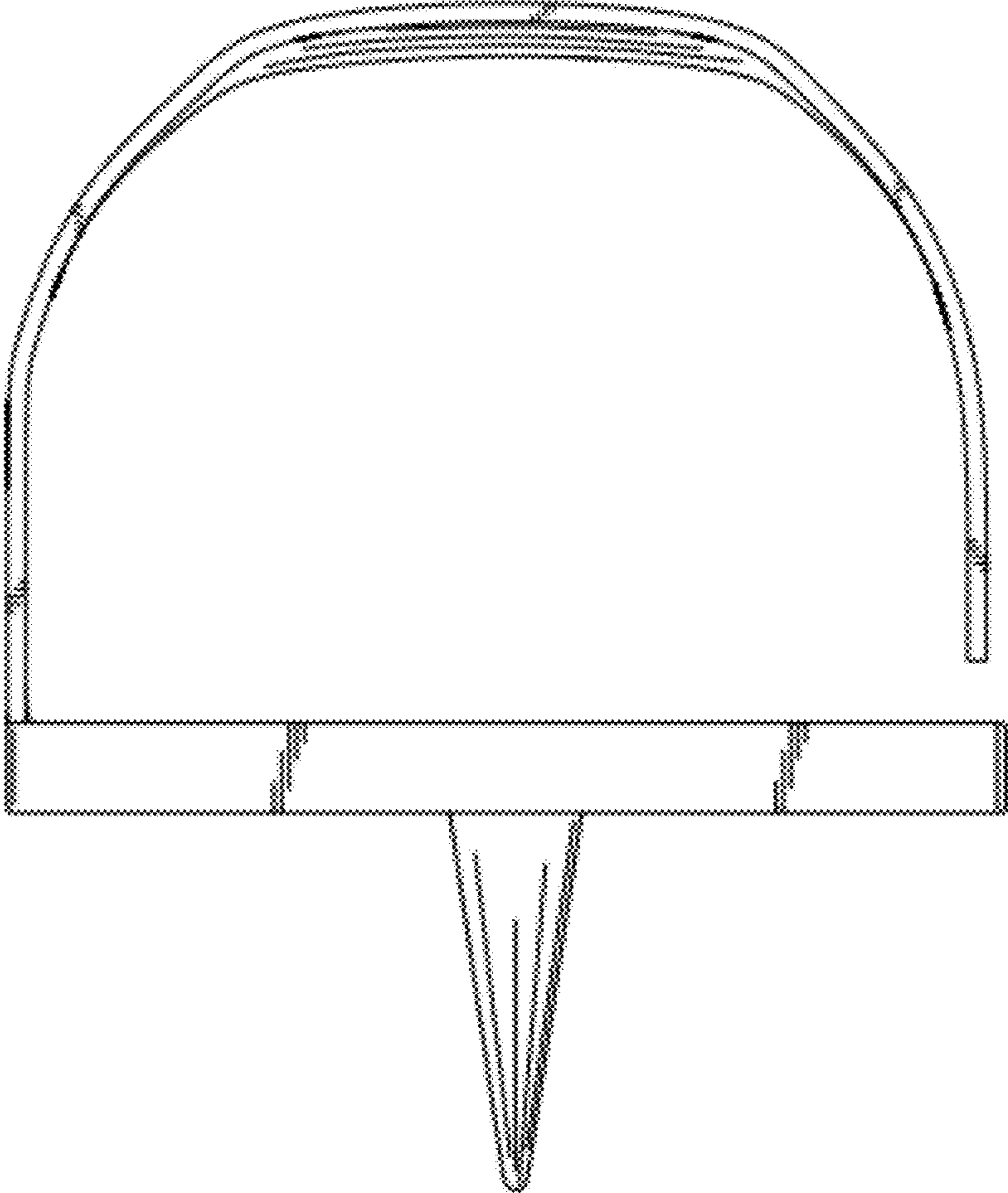


Fig. 3

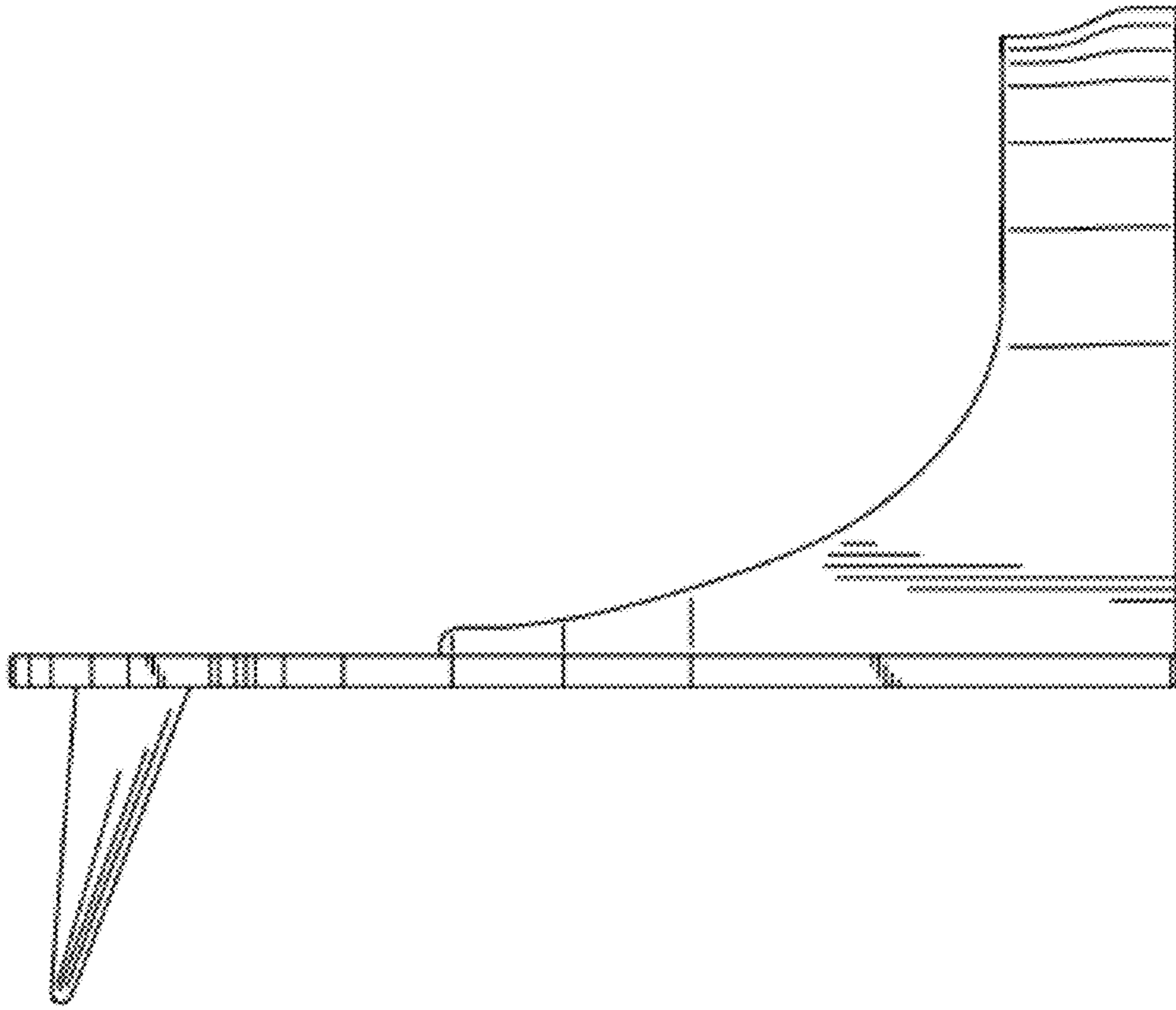


Fig. 4

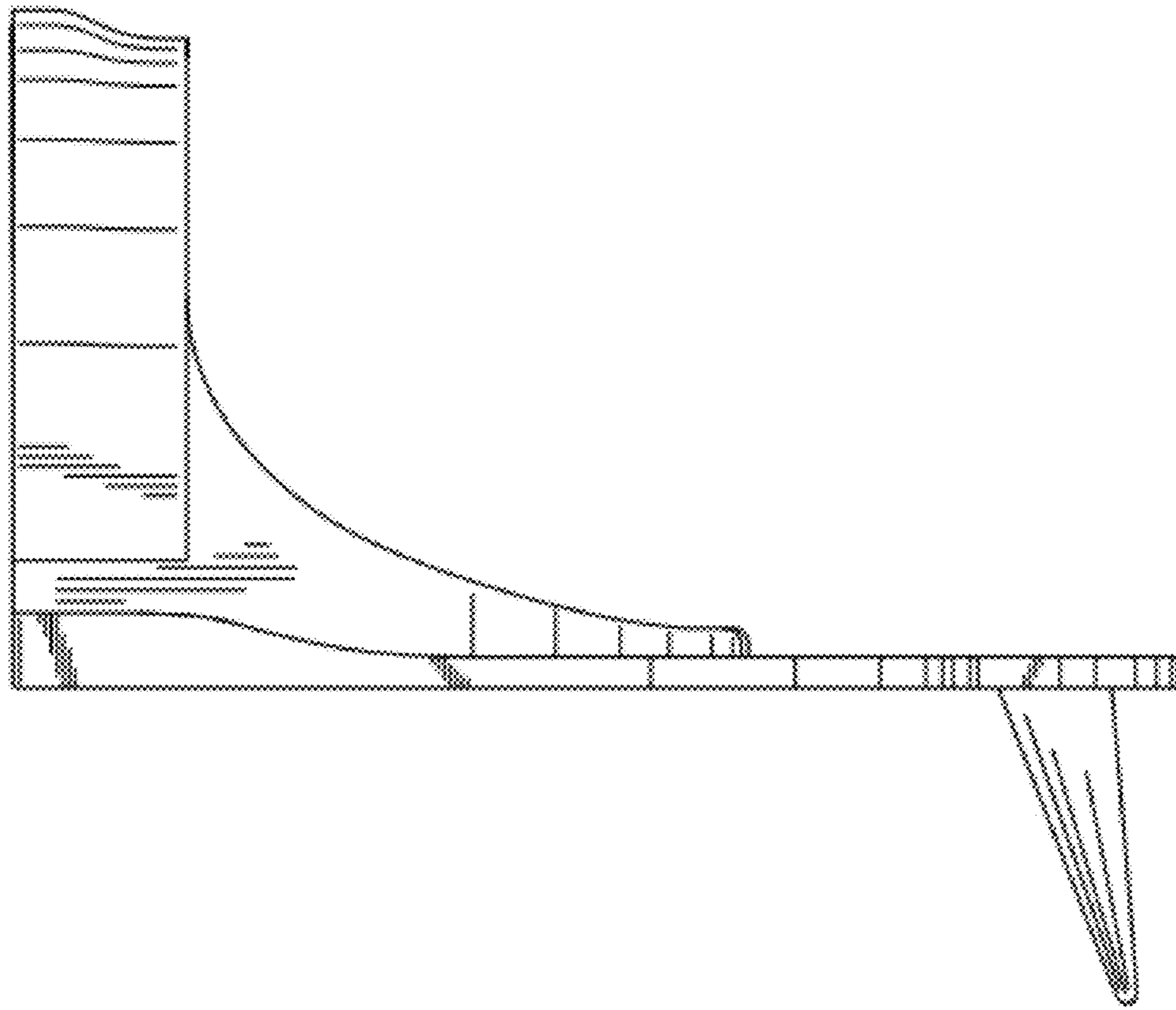


Fig. 5

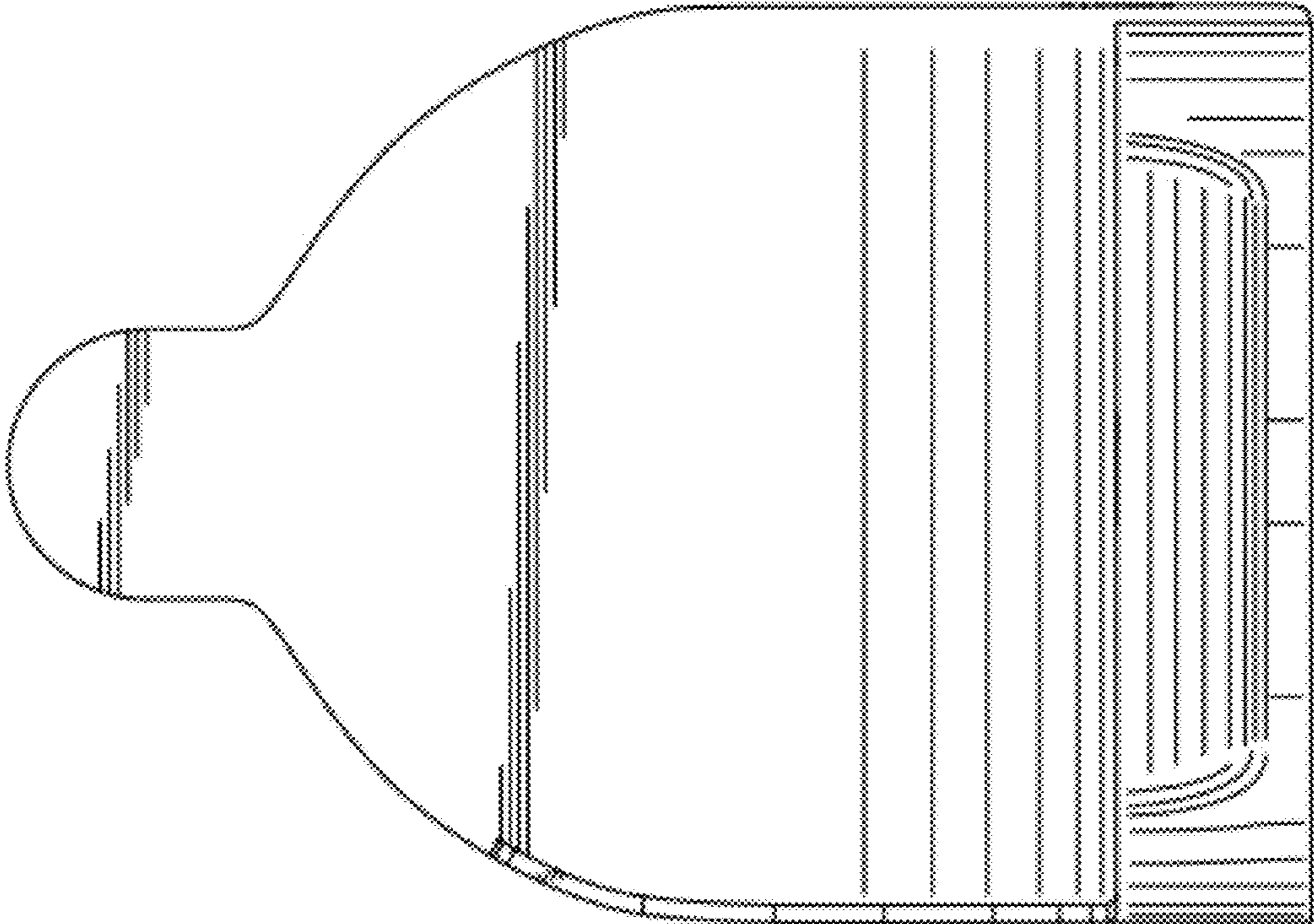


Fig. 6

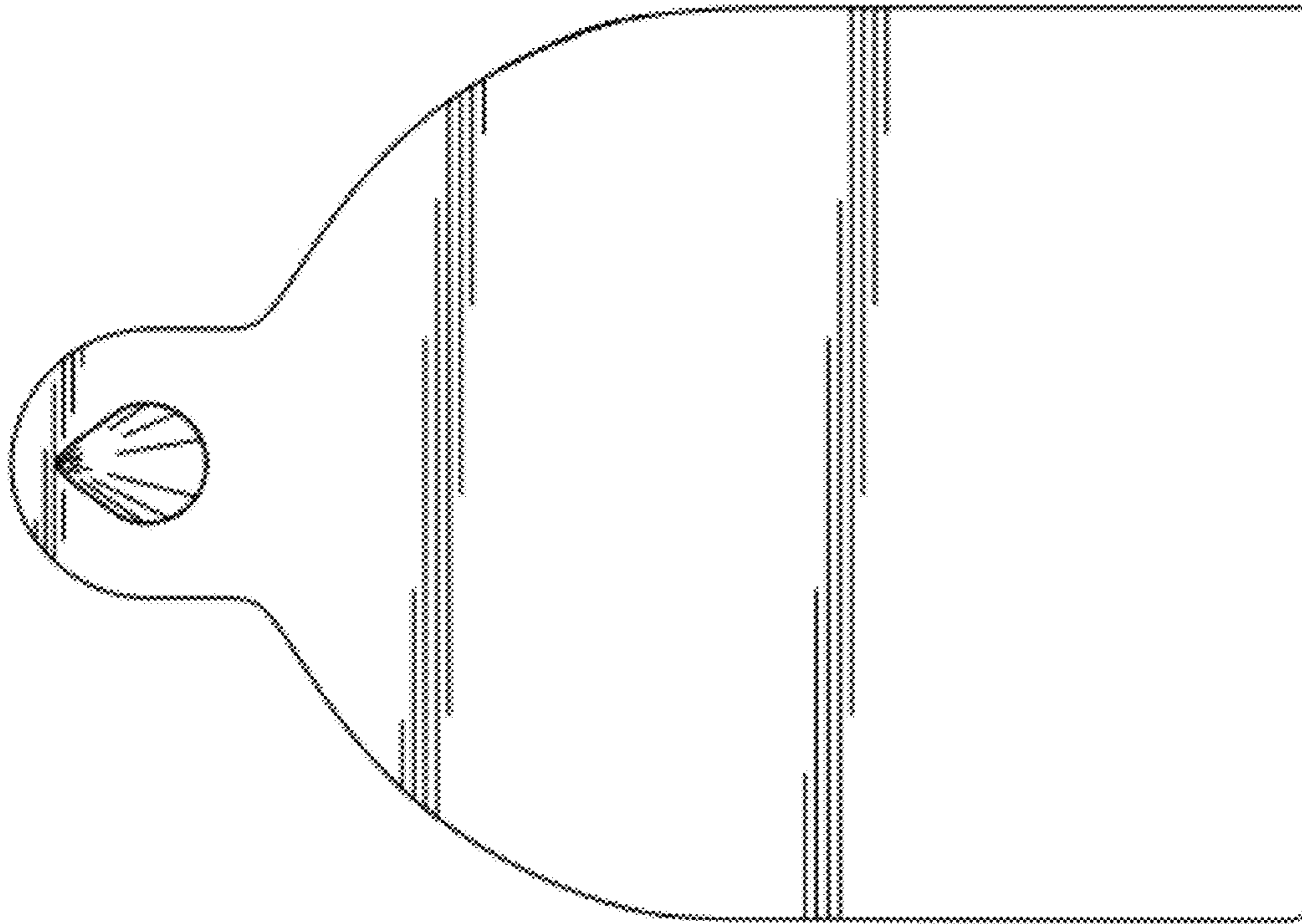


Fig. 7