



US00D662499S

(12) **United States Design Patent**  
**Lee et al.**

(10) **Patent No.:** **US D662,499 S**  
(45) **Date of Patent:** **\*\* Jun. 26, 2012**

(54) **LIQUID CRYSTAL DISPLAY (LCD) MONITOR**

(75) Inventors: **Myungwhoon Lee**, Seoul (KR);  
**Jongchul Kim**, Seoul (KR)

(73) Assignee: **LG Electronics Inc.**, Seoul (KR)

(\*\*) Term: **14 Years**

(21) Appl. No.: **29/396,942**

(22) Filed: **Jul. 8, 2011**

(30) **Foreign Application Priority Data**

Jan. 10, 2011 (KR) ..... 30-2011-0001011

(51) **LOC (9) Cl.** ..... **14-02**

(52) **U.S. Cl.** ..... **D14/374**

(58) **Field of Classification Search** ..... D14/371-376,  
D14/125-129, 336, 337, 306; D6/308, 311;  
345/104, 156, 173, 174, 901-905; 348/180,  
348/184, 325, 739; 361/679.08, 679.23;  
349/1, 2, 11, 58; 248/917-924, 371; 341/12

See application file for complete search history.

(56) **References Cited**

U.S. PATENT DOCUMENTS

6,807,051 B2 \* 10/2004 Takahashi ..... 361/679.23  
D544,849 S \* 6/2007 Yang et al. .... D14/126  
D548,708 S \* 8/2007 Park et al. .... D14/126  
7,280,665 B2 \* 10/2007 Tamura et al. .... 381/333  
D570,841 S \* 6/2008 Kim et al. .... D14/375  
D572,682 S \* 7/2008 Won et al. .... D14/126  
D573,118 S \* 7/2008 Yang et al. .... D14/126  
2004/0217244 A1 \* 11/2004 Wu et al. .... 248/278.1

\* cited by examiner

*Primary Examiner* — Freda S Nunn

(74) *Attorney, Agent, or Firm* — Birch, Stewart, Kolasch & Birch, LLP

(57) **CLAIM**

The ornamental design for a liquid crystal display (LCD) monitor, as shown and described.

**DESCRIPTION**

FIG. 1 is a perspective view of a liquid crystal display (LCD) monitor showing our new design;  
FIG. 2 is a front view thereof;  
FIG. 3 is a rear view thereof;  
FIG. 4 is a left side view thereof where the right side view is a mirror image;  
FIG. 5 is a top plan view thereof; and,  
FIG. 6 is a bottom plan view thereof.

**1 Claim, 6 Drawing Sheets**

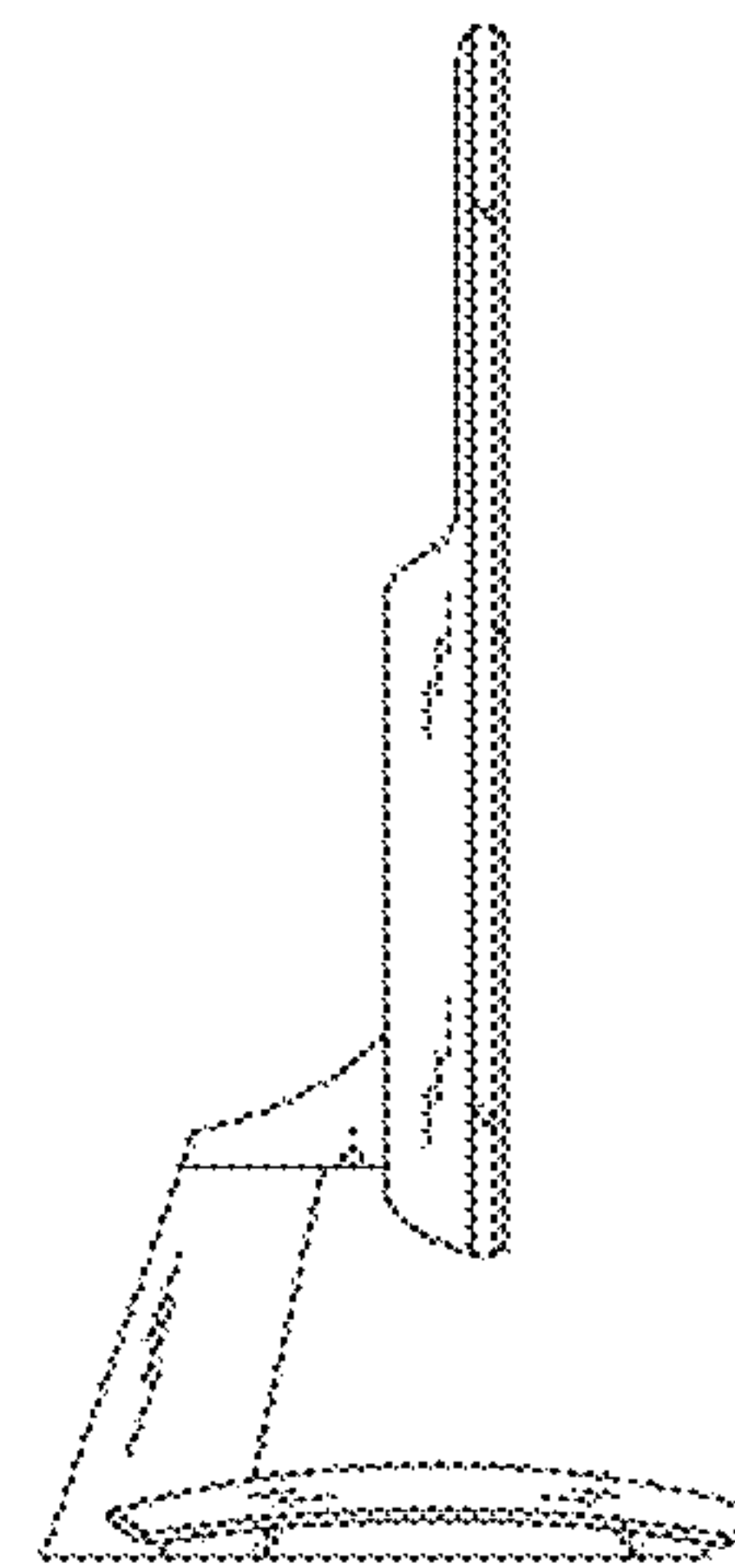
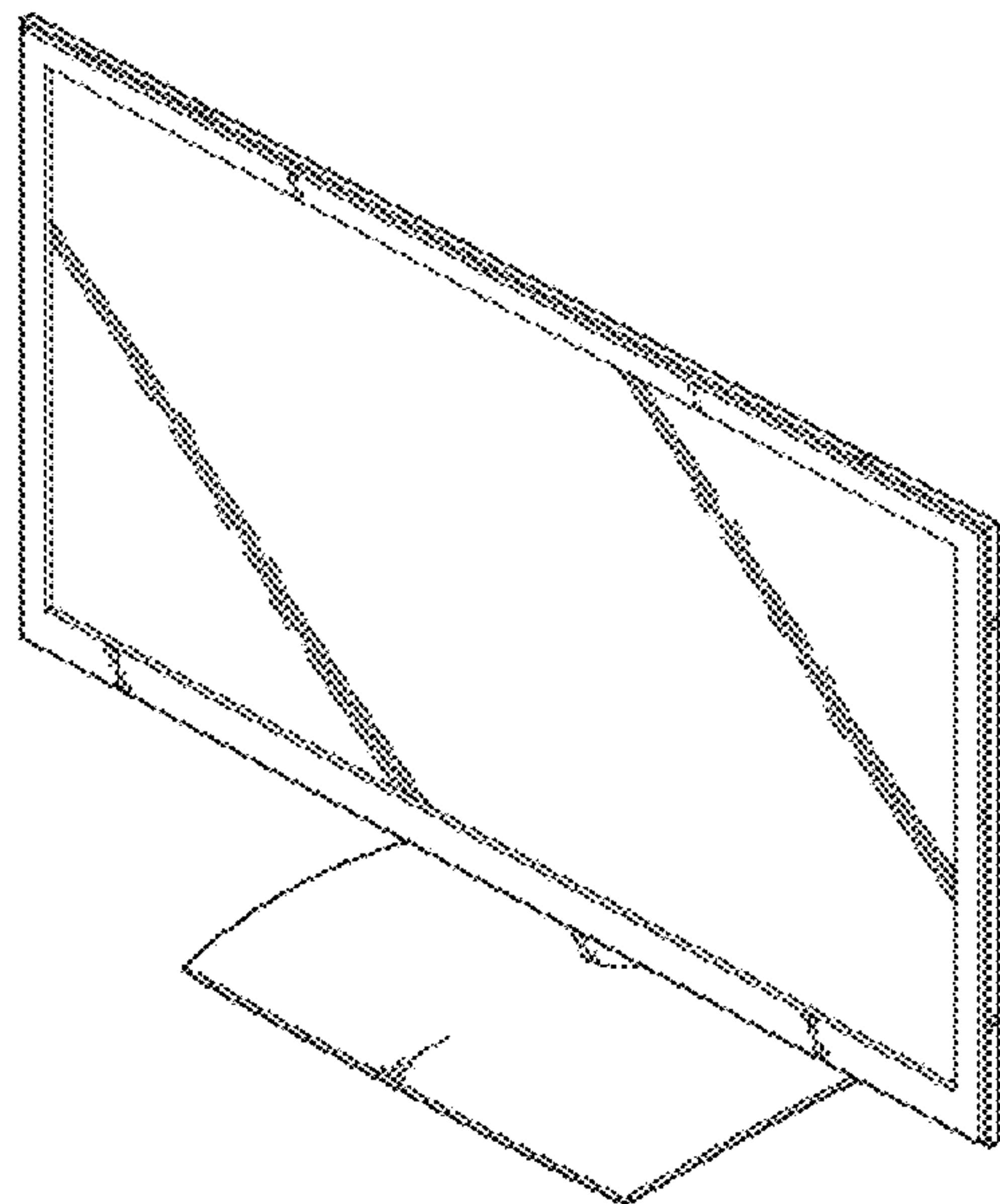


FIG. 1

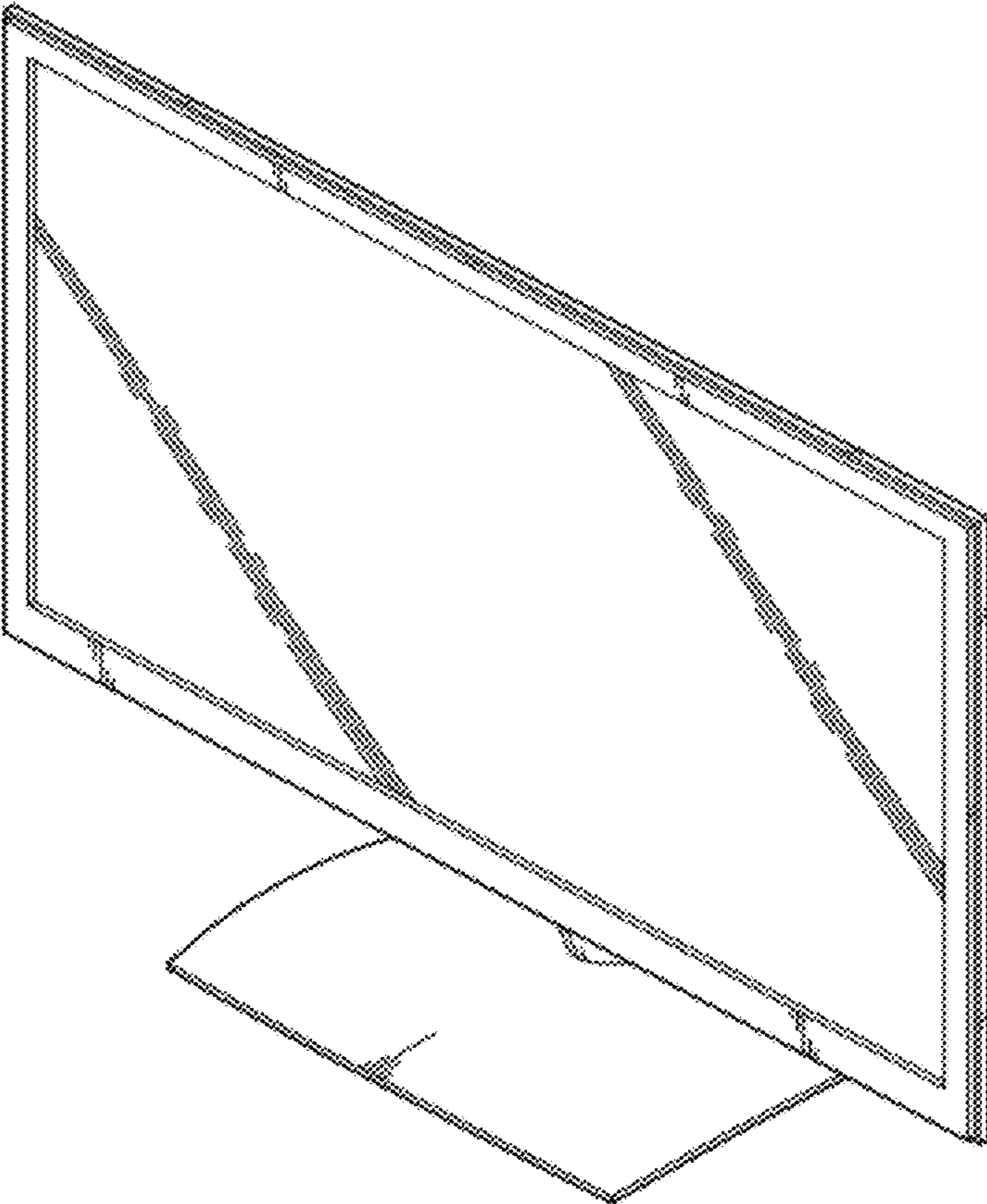


FIG. 2

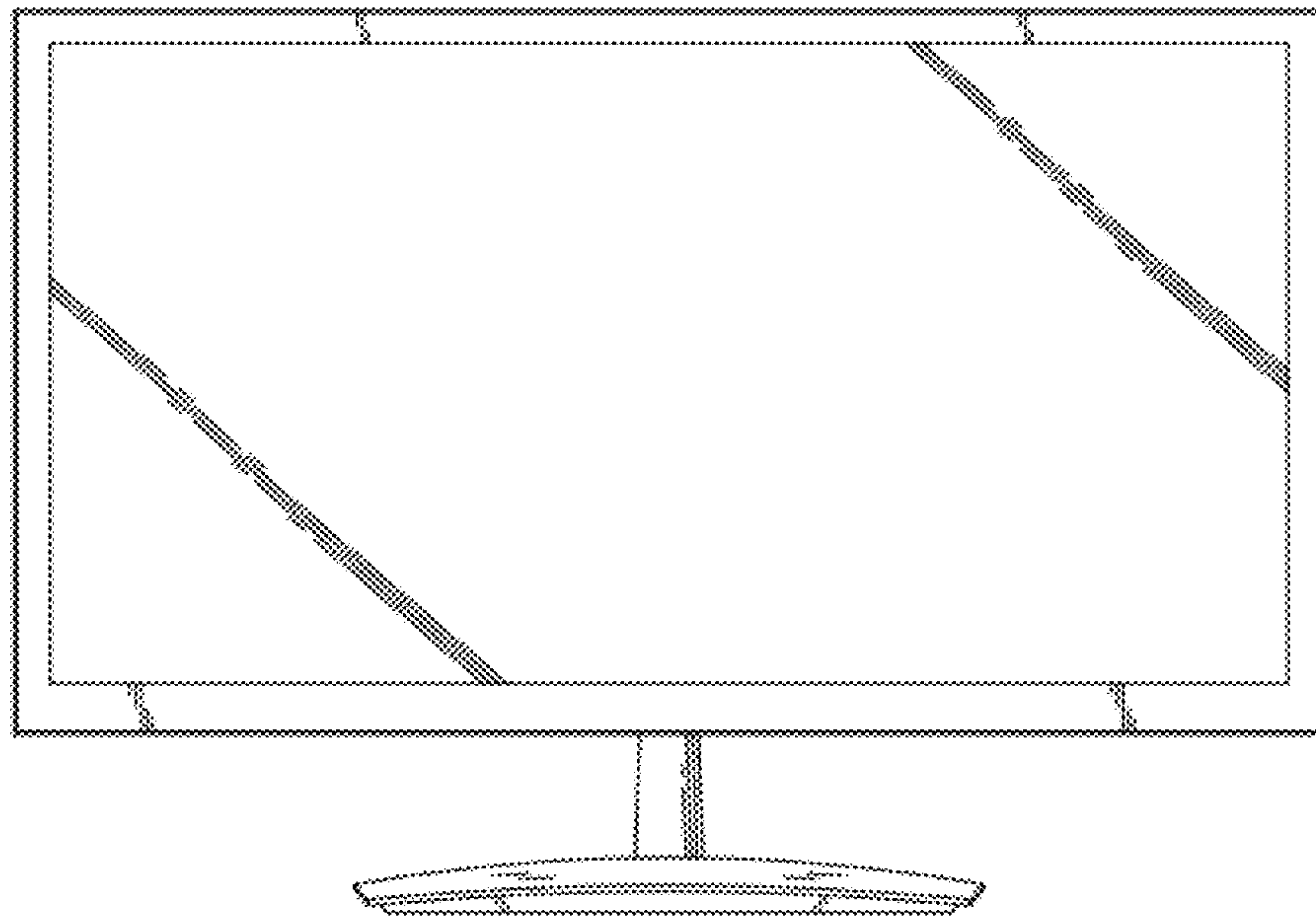


FIG. 3

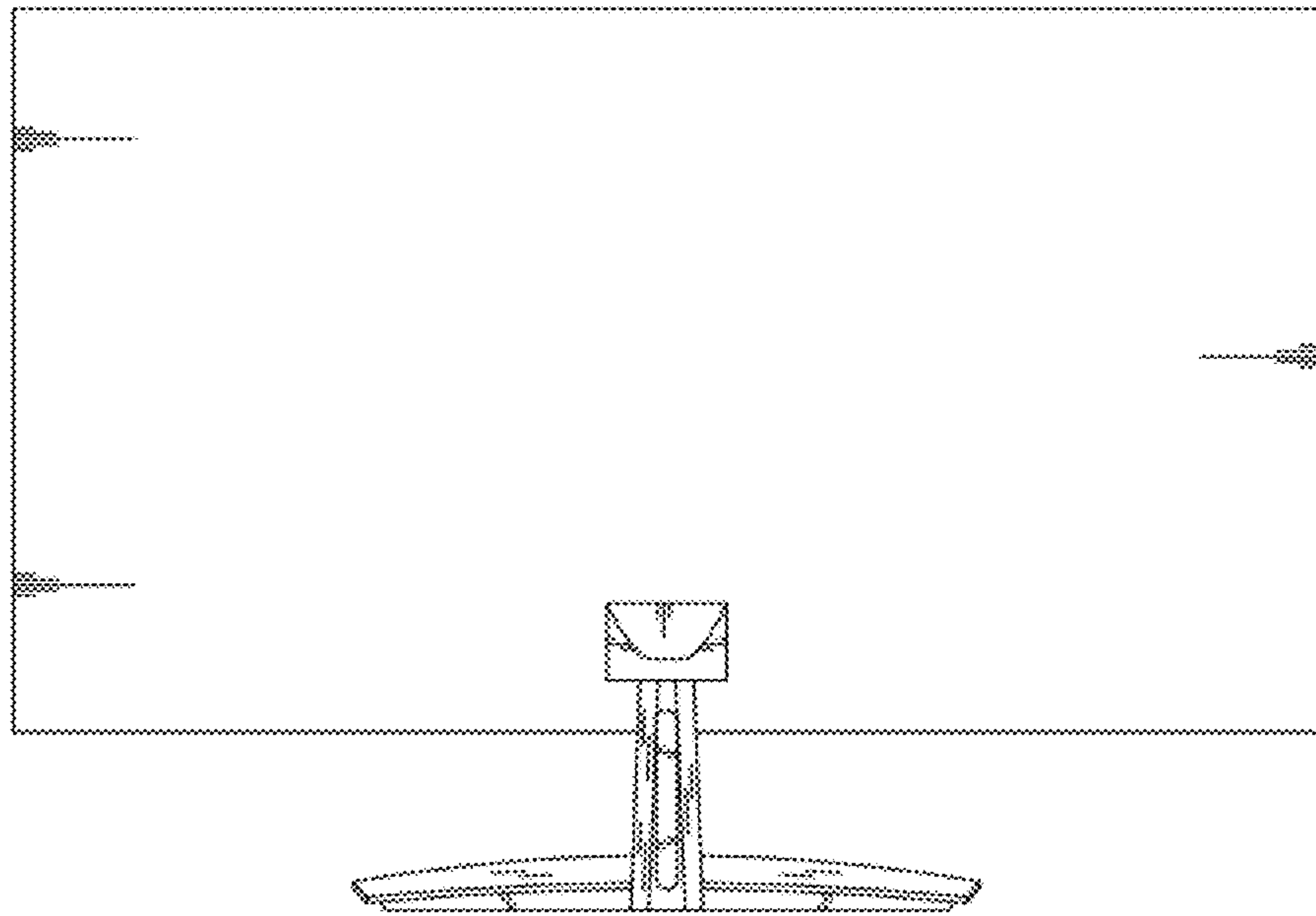


FIG. 4

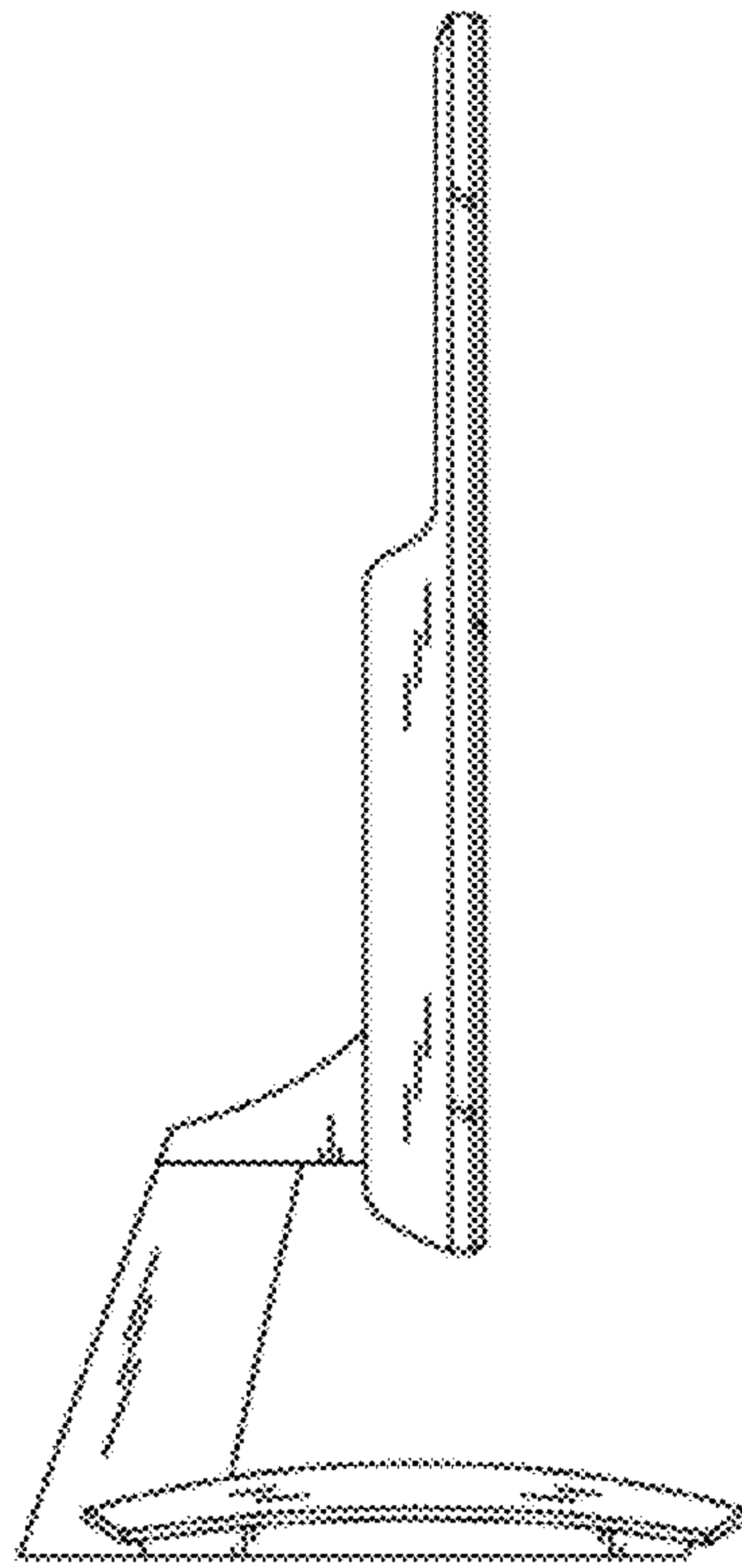


FIG. 5

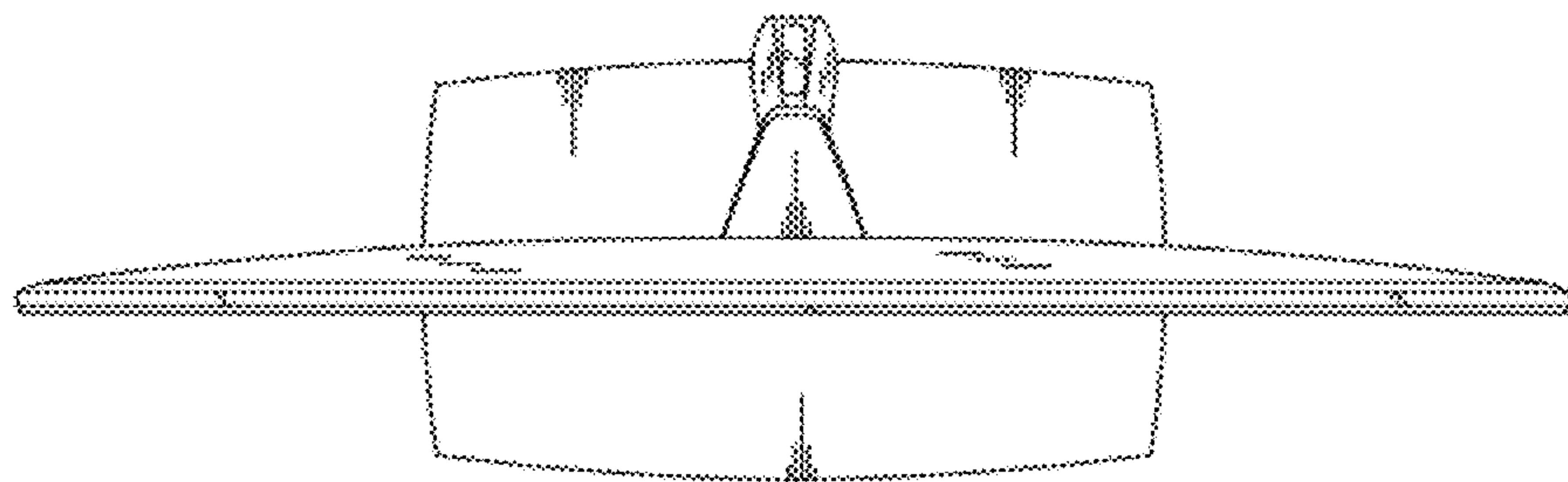


FIG. 6

