



US00D662494S

(12) **United States Design Patent**
Frey

(10) **Patent No.:** **US D662,494 S**
(45) **Date of Patent:** **** Jun. 26, 2012**

(54) **CABLE STORAGE IN HEADPHONES**

(75) Inventor: **Andre Frey**, Carlsbad, CA (US)

(73) Assignee: **Daimler AG**, Stuttgart (DE)

(**) Term: **14 Years**

(21) Appl. No.: **29/393,297**

(22) Filed: **Jun. 2, 2011**

(51) **LOC (9) Cl.** **14-01**

(52) **U.S. Cl.** **D14/223**

(58) **Field of Classification Search** D14/205,
D14/206, 223, 224; D8/358; 242/378.1;
181/129, 130, 135; 379/430, 431; 381/380,
381/381, 370, 384; 455/575.1

See application file for complete search history.

(56) **References Cited**

U.S. PATENT DOCUMENTS

2,172,043	A *	9/1939	Wolf	242/379
3,450,369	A *	6/1969	Olzak et al.	242/385.1
3,798,389	A *	3/1974	Tokizaki	381/370
3,984,645	A *	10/1976	Kresch	379/430
4,497,457	A *	2/1985	Harvey	242/405.1
4,691,383	A *	9/1987	DeMars	455/351
4,989,805	A *	2/1991	Burke	242/378.2
D316,030	S *	4/1991	Adielsson	D8/358
5,339,461	A *	8/1994	Luplow	455/351
5,422,957	A *	6/1995	Cummins	381/384
5,832,098	A *	11/1998	Chen	381/370
6,480,611	B2 *	11/2002	Hashimoto et al.	381/371
6,616,080	B1 *	9/2003	Edwards et al.	242/378.1
6,633,770	B1 *	10/2003	Gitzinger et al.	455/575.1
6,658,130	B2 *	12/2003	Huang	381/384
6,728,388	B1 *	4/2004	Nageno et al.	381/381
6,763,111	B2 *	7/2004	Liao	379/446
6,866,219	B2 *	3/2005	Wei	242/378.4

D508,479	S *	8/2005	Okada	D14/206
7,086,512	B2 *	8/2006	Shack et al.	191/12.4
D564,494	S *	3/2008	Lee	D14/205
D566,107	S *	4/2008	Bowling	D14/223
7,372,974	B2 *	5/2008	Yanagishita et al.	381/384
D583,362	S *	12/2008	Hsu et al.	D14/205
D600,673	S *	9/2009	Kim et al.	D14/205
D603,376	S *	11/2009	Blasko	D14/223
D618,671	S *	6/2010	Hou	D14/223
D637,584	S *	5/2011	Peller	D14/223
D639,270	S *	6/2011	Nagayama et al.	D14/205
8,167,102	*	5/2012	Skillman	191/12.2 R

* cited by examiner

Primary Examiner — Paula Greene

(74) *Attorney, Agent, or Firm* — Crowell & Moring LLP

(57) **CLAIM**

The ornamental design for cable storage in headphones, as shown and described.

DESCRIPTION

This application contains subject matter related to the following co-pending U.S. design patent application:

Application Ser. No. 29/393,296, filed herewith and entitled "Headphones".

FIG. 1 is a front perspective view of cable storage in headphones, in an open position, according to my design;

FIG. 2 is a left perspective view thereof, the right perspective view being mirror symmetrical;

FIG. 3 is a right side view thereof, the left side view being mirror symmetrical;

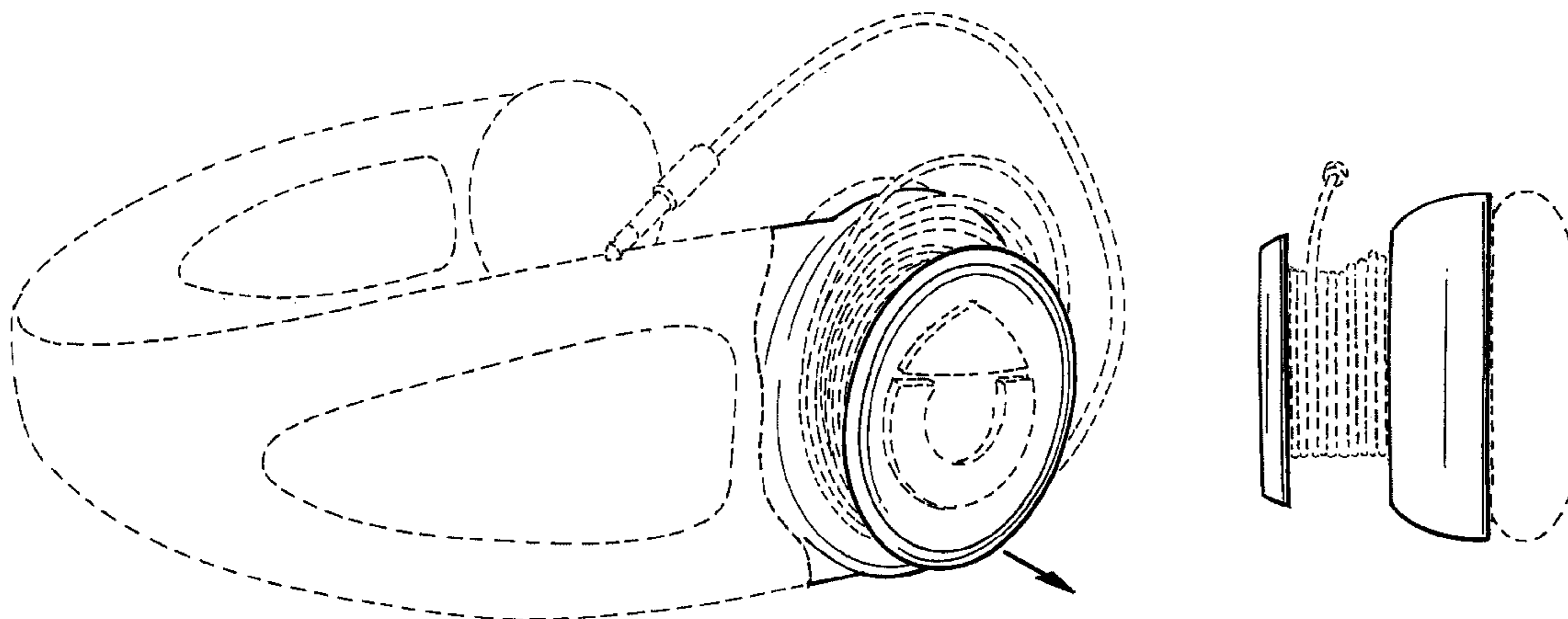
FIG. 4 is a bottom view thereof;

FIG. 5 is a bottom perspective view thereof; and,

FIG. 6 is a front perspective view thereof, in a closed position.

The broken lines are for illustrative purposes only and form no part of the claimed design.

1 Claim, 4 Drawing Sheets



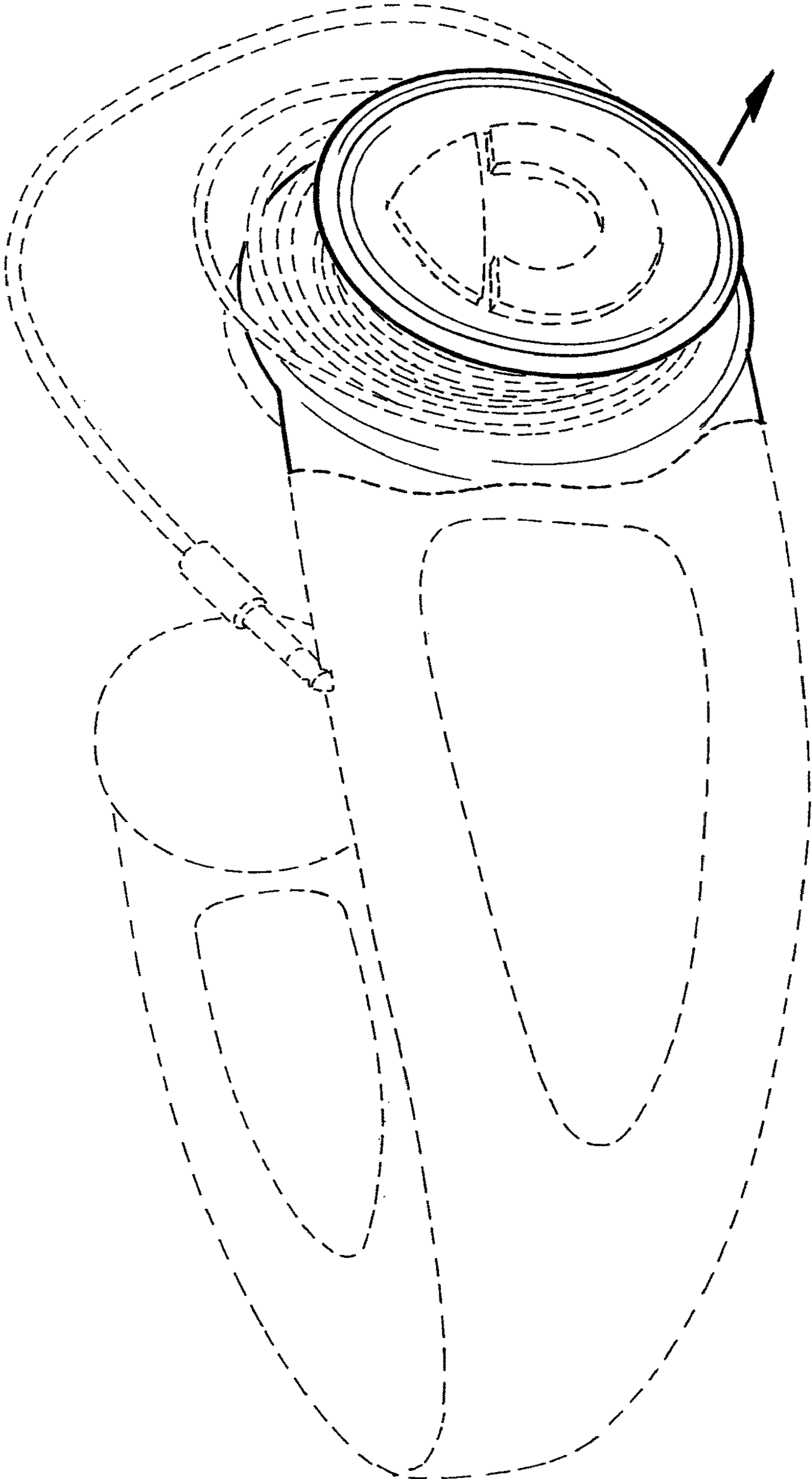


FIG. 1

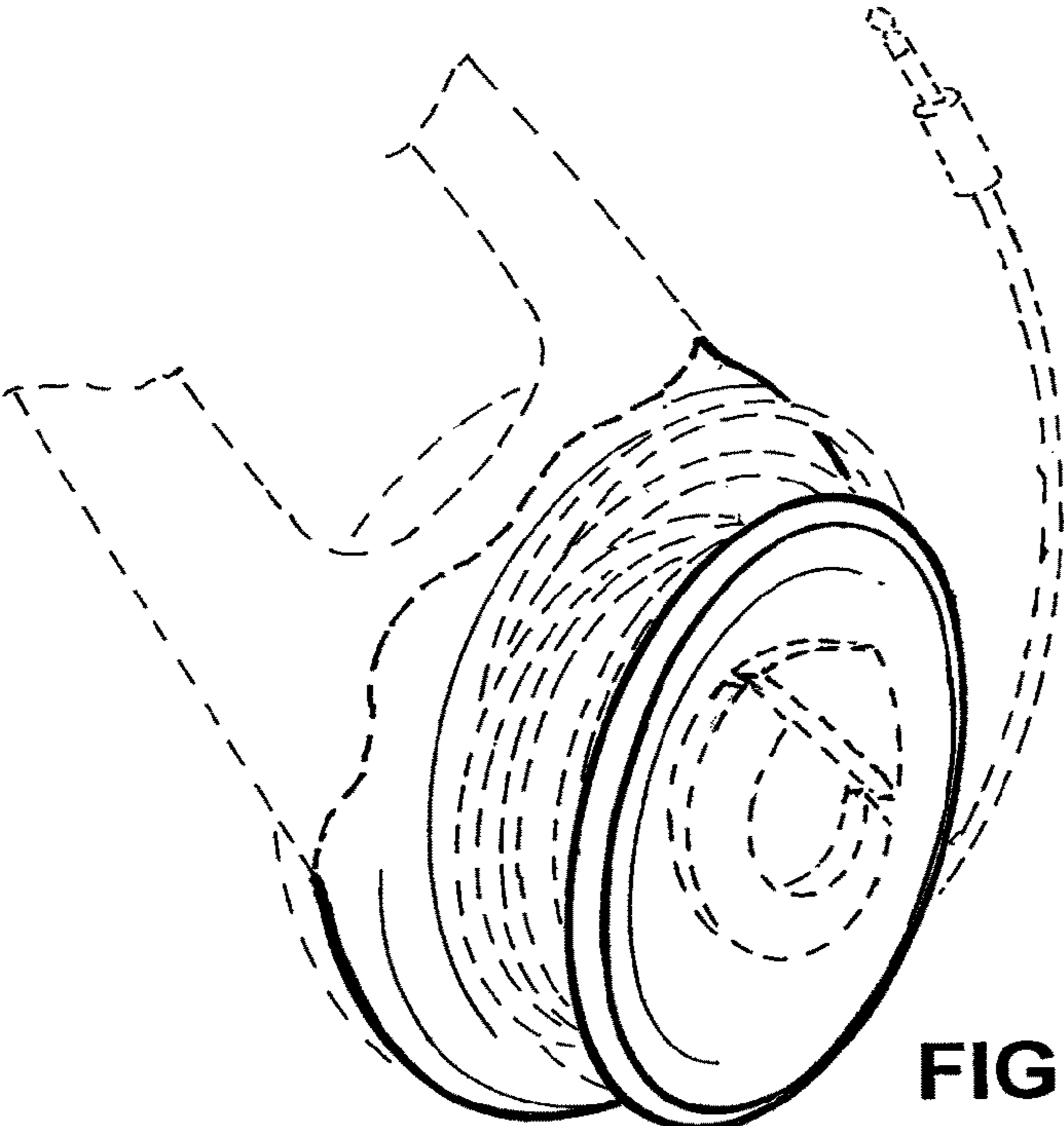


FIG. 2

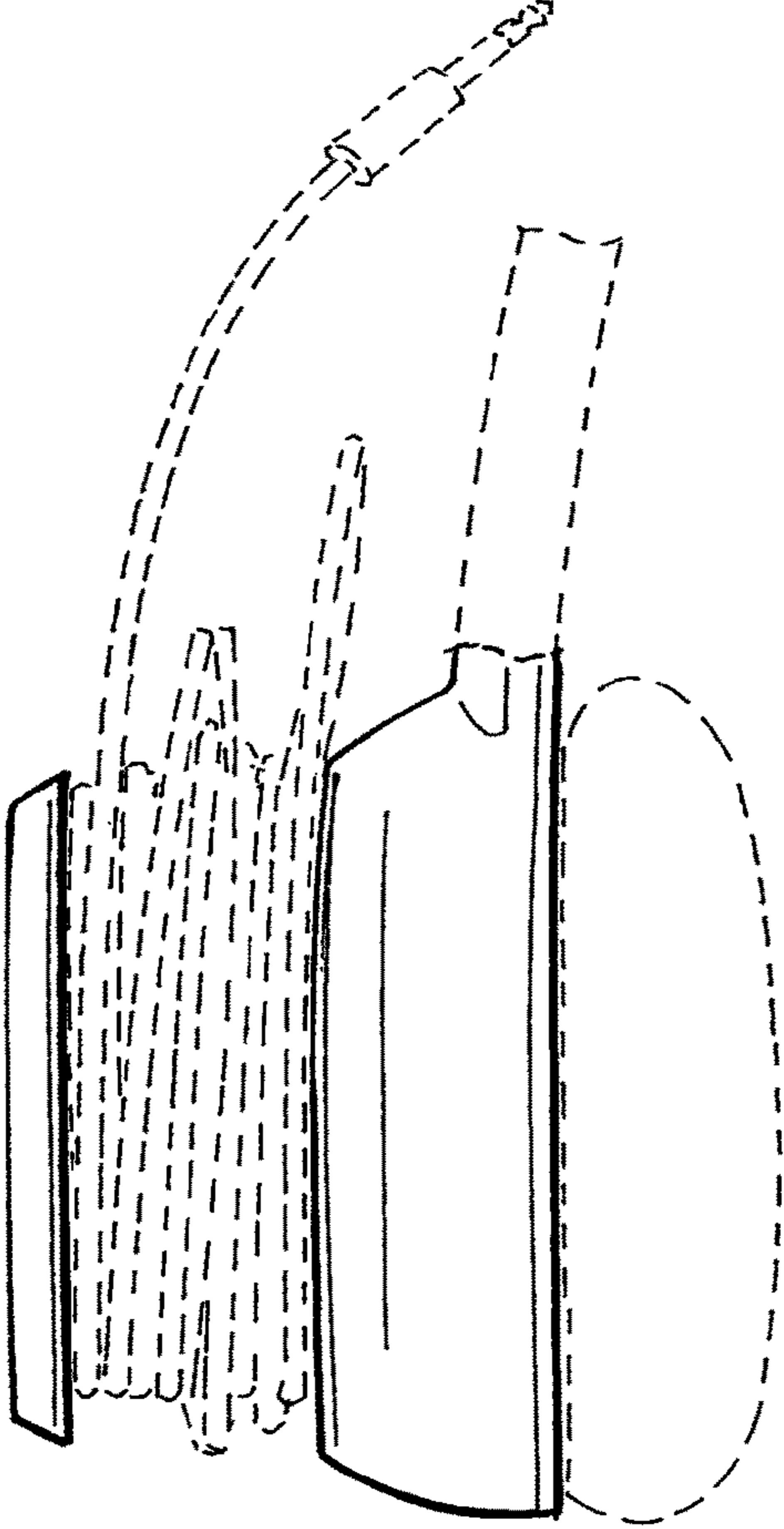


FIG. 3

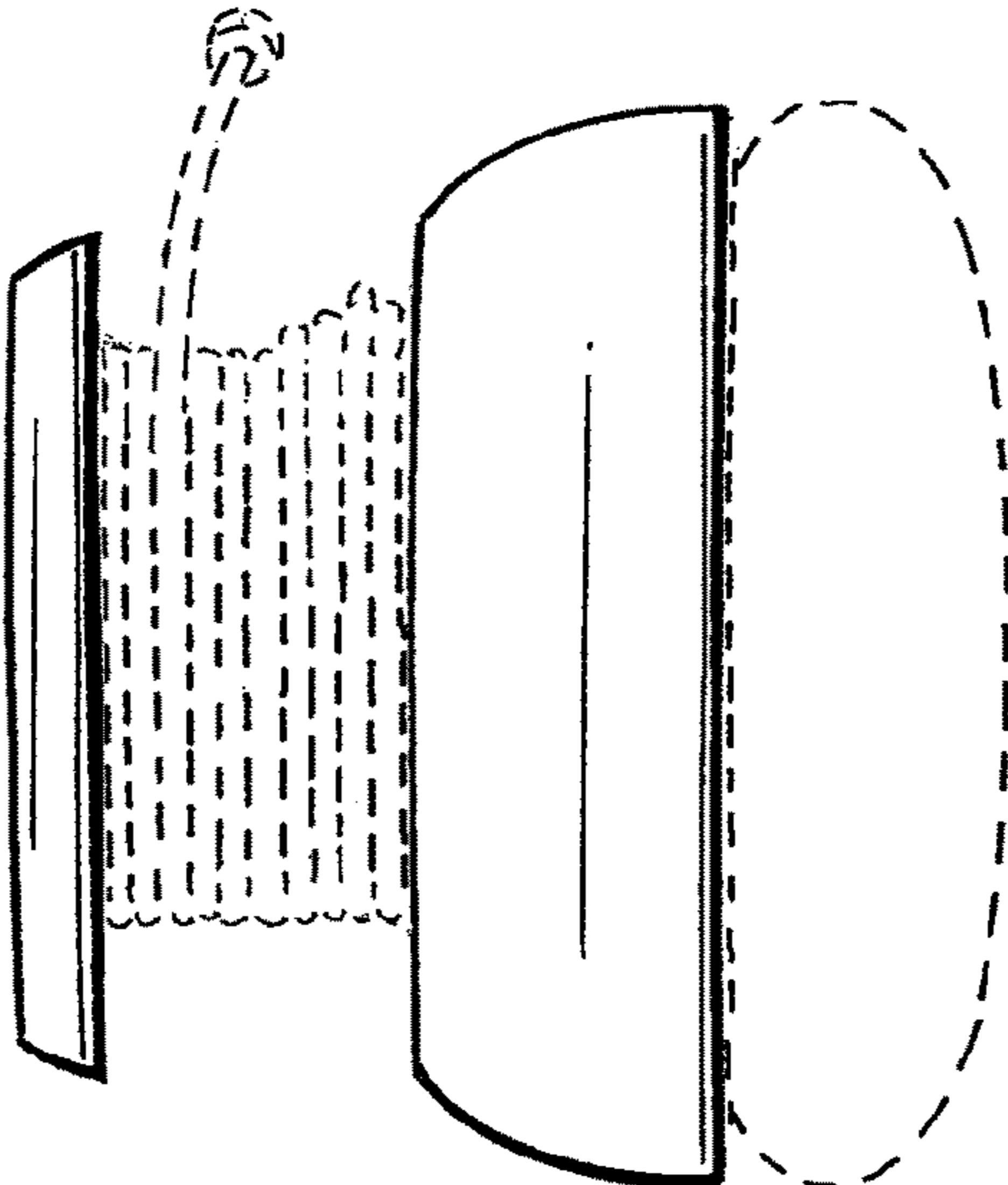


FIG. 4

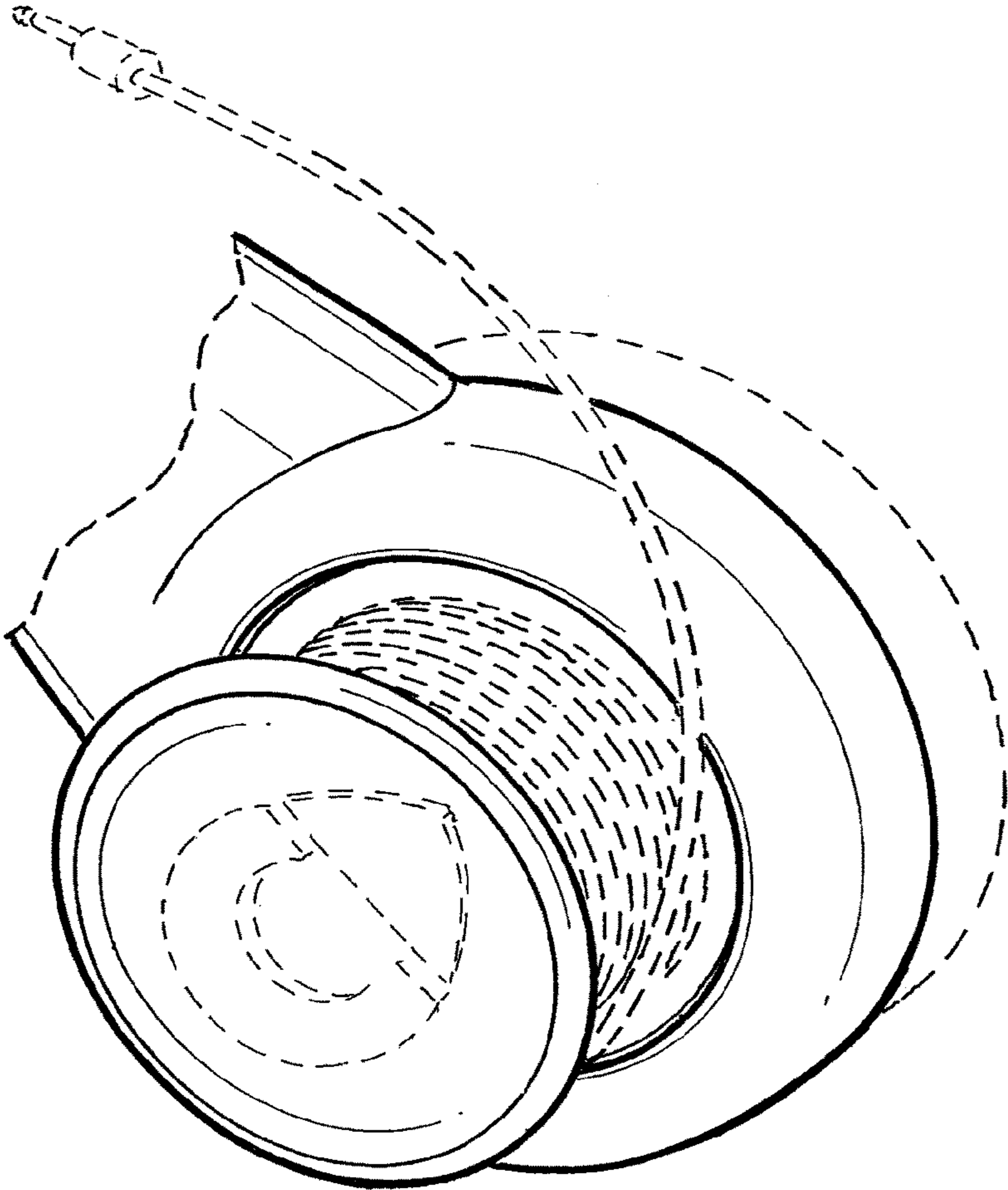


FIG. 5

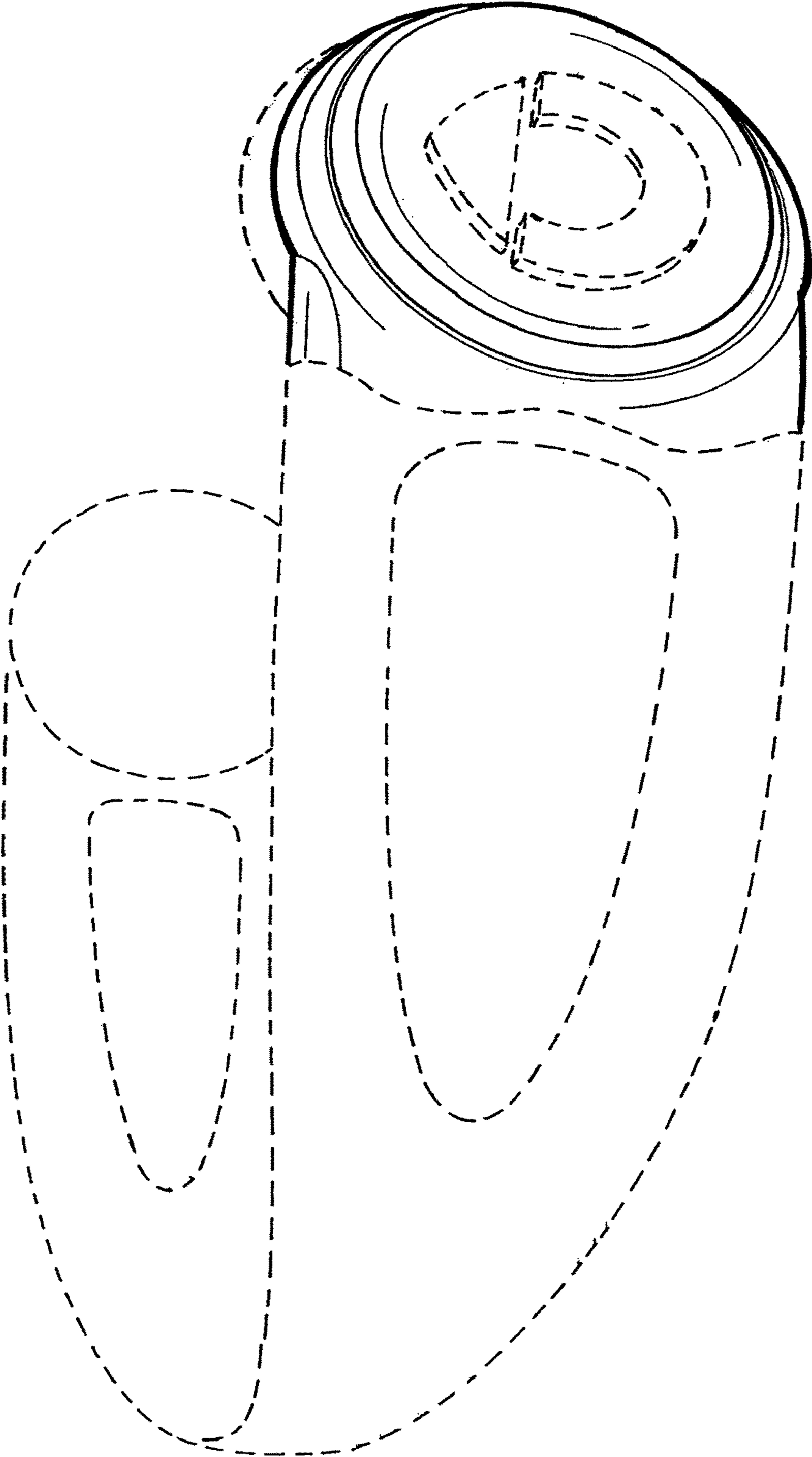


FIG. 6