

US00D662493S

(12) **United States Design Patent**
Chen

(10) **Patent No.:** **US D662,493 S**

(45) **Date of Patent:** **** *Jun. 26, 2012**

(54) **EARPHONE**

(75) Inventor: **Hwang-Miaw Chen**, Taipei Hsien (TW)

(73) Assignee: **Hon Hai Precision Industry Co., Ltd.**,
Tu-Cheng, New Taipei (TW)

(*) Notice: This patent is subject to a terminal disclaimer.

(**) Term: **14 Years**

(21) Appl. No.: **29/381,986**

(22) Filed: **Dec. 27, 2010**

(51) **LOC (9) Cl.** **14-01**

(52) **U.S. Cl.** **D14/223**

(58) **Field of Classification Search** D14/205,
D14/206, 223; 181/129, 130, 135; 379/430,
379/431; 381/380, 381

See application file for complete search history.

(56) **References Cited**

U.S. PATENT DOCUMENTS

4,965,838	A *	10/1990	Kamon et al.	381/380
D431,553	S *	10/2000	Suzuki	D14/223
6,574,345	B1 *	6/2003	Huang	381/380
D487,077	S *	2/2004	Obata	D14/223
D523,846	S *	6/2006	Lee	D14/205
D555,152	S *	11/2007	Wang	D14/223
D564,495	S *	3/2008	Sasaki	D14/205
D572,703	S *	7/2008	Ledbetter et al.	D14/205
D573,978	S *	7/2008	Ledbetter et al.	D14/205

D579,005	S *	10/2008	Wilhelmsen	D14/223
D587,677	S *	3/2009	Andre et al.	D14/205
D591,721	S *	5/2009	Densho	D14/205
D596,616	S *	7/2009	Andre et al.	D14/205
D599,330	S *	9/2009	Andre et al.	D14/223
D619,122	S *	7/2010	Nomura	D14/223
D627,766	S *	11/2010	Arimoto	D14/223
D633,086	S *	2/2011	Chen	D14/223
D639,279	S *	6/2011	Andre et al.	D14/223
D641,738	S *	7/2011	Perez	D14/223

FOREIGN PATENT DOCUMENTS

KR 30-2009-0008033 2/2009

* cited by examiner

Primary Examiner — Paula Greene

(74) *Attorney, Agent, or Firm* — Altis Law Group, Inc.

(57) **CLAIM**

The ornamental design for an earphone, as shown.

DESCRIPTION

FIG. 1 is a perspective view of an earphone showing my new design.

FIG. 2 is a front elevational view thereof.

FIG. 3 is a rear elevational view thereof.

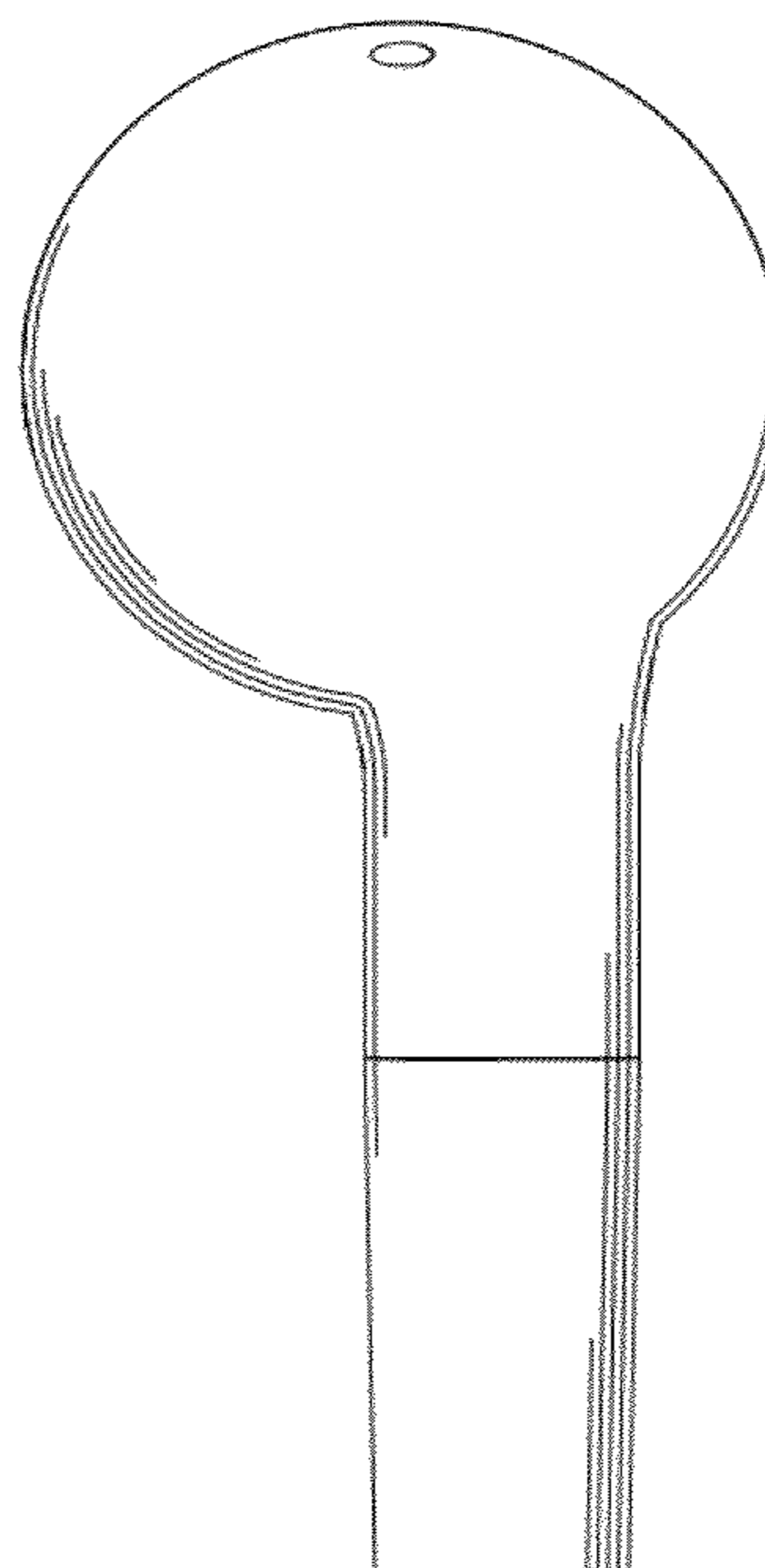
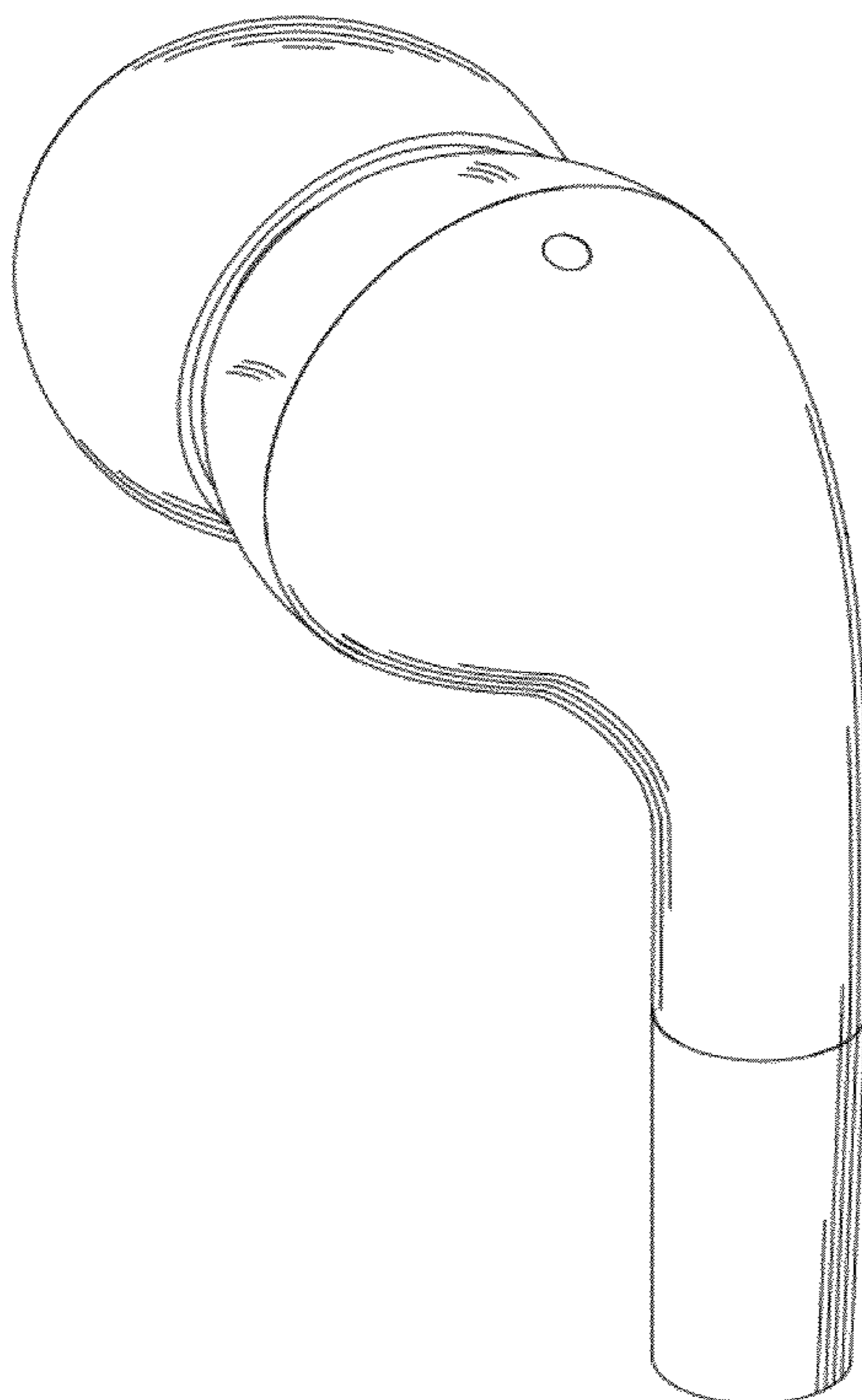
FIG. 4 is a left side elevational view thereof.

FIG. 5 is a right side elevational view thereof.

FIG. 6 is a top plan view thereof; and,

FIG. 7 is a bottom plan view thereof.

1 Claim, 7 Drawing Sheets



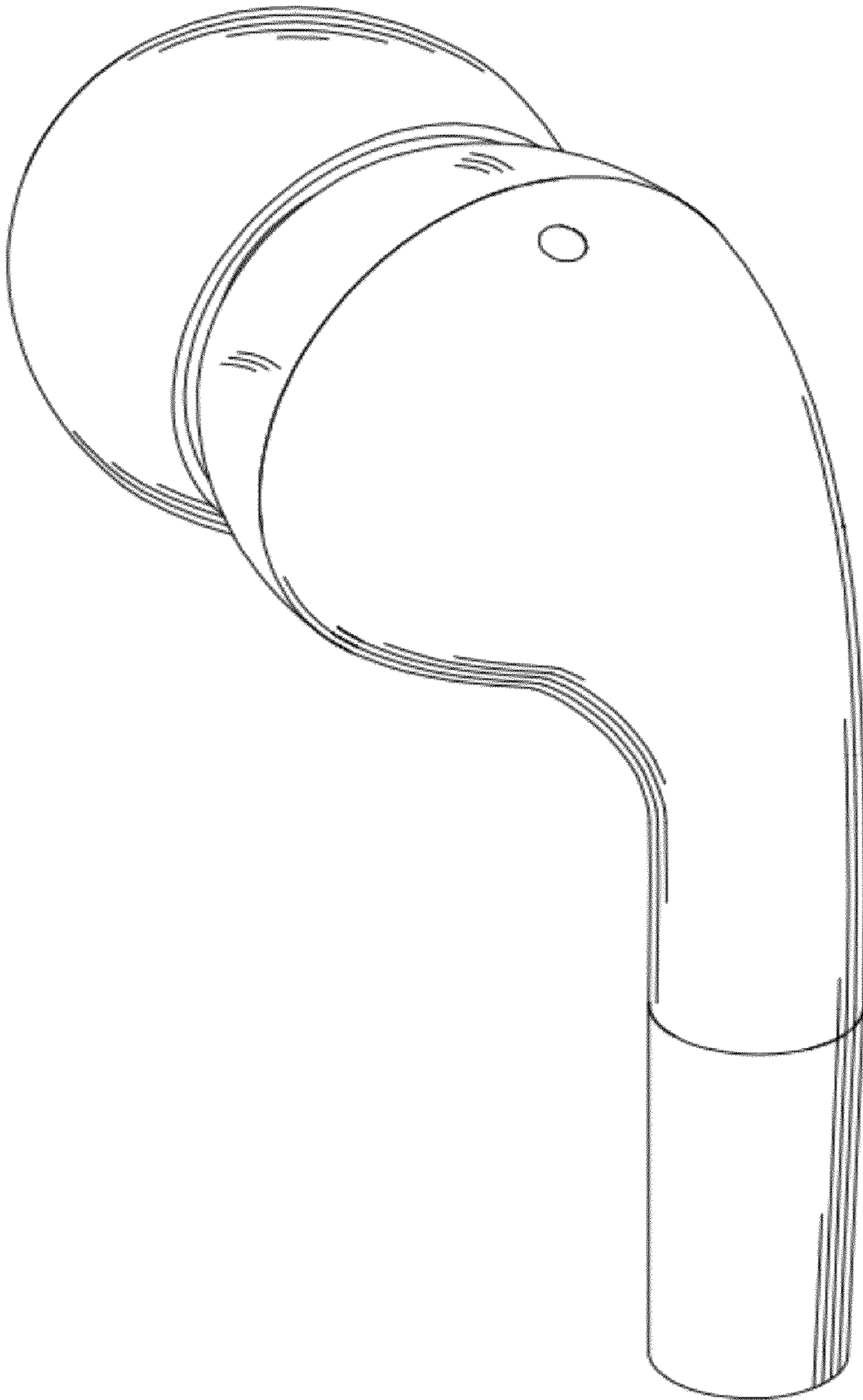


FIG. 1

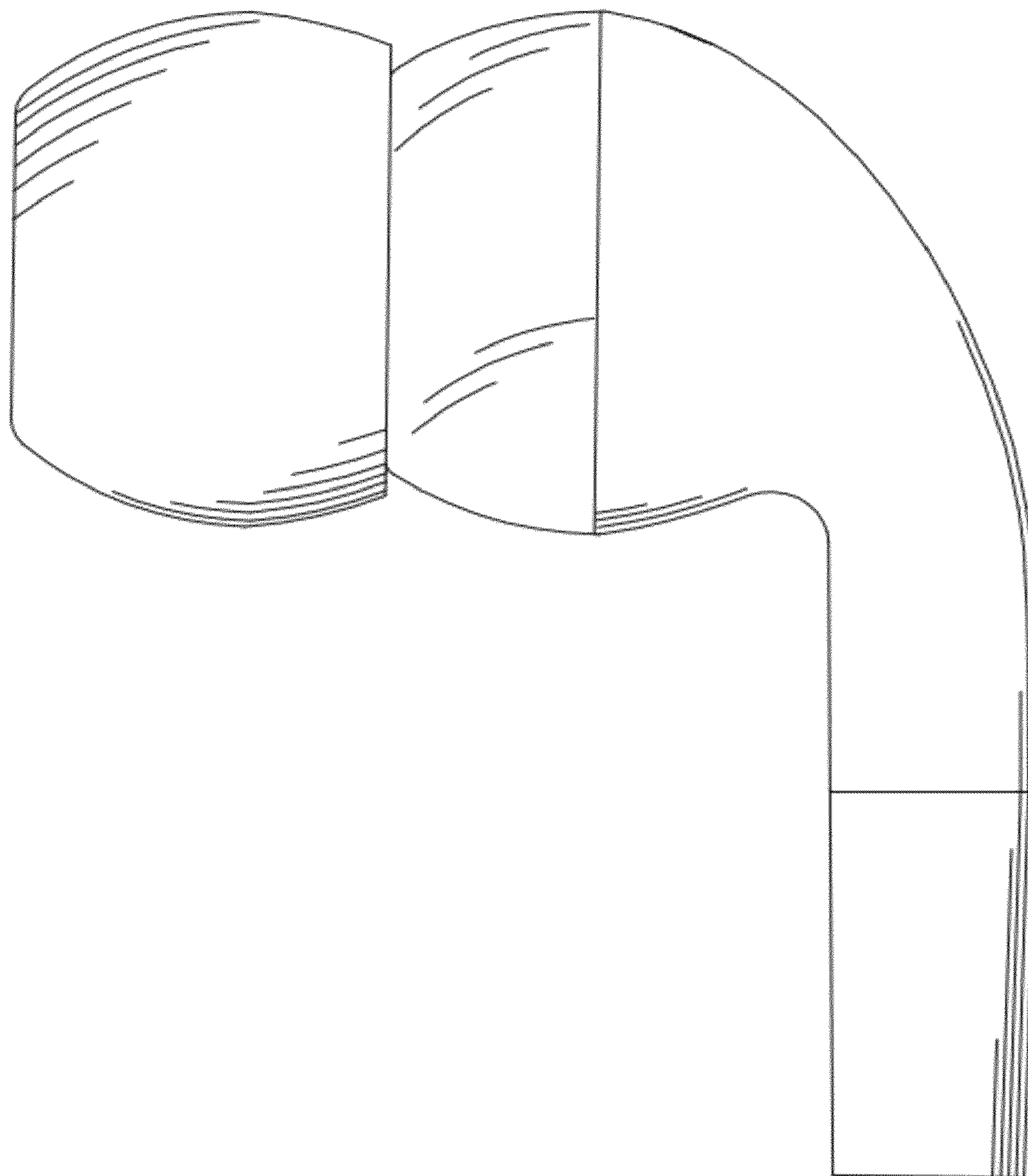


FIG. 2

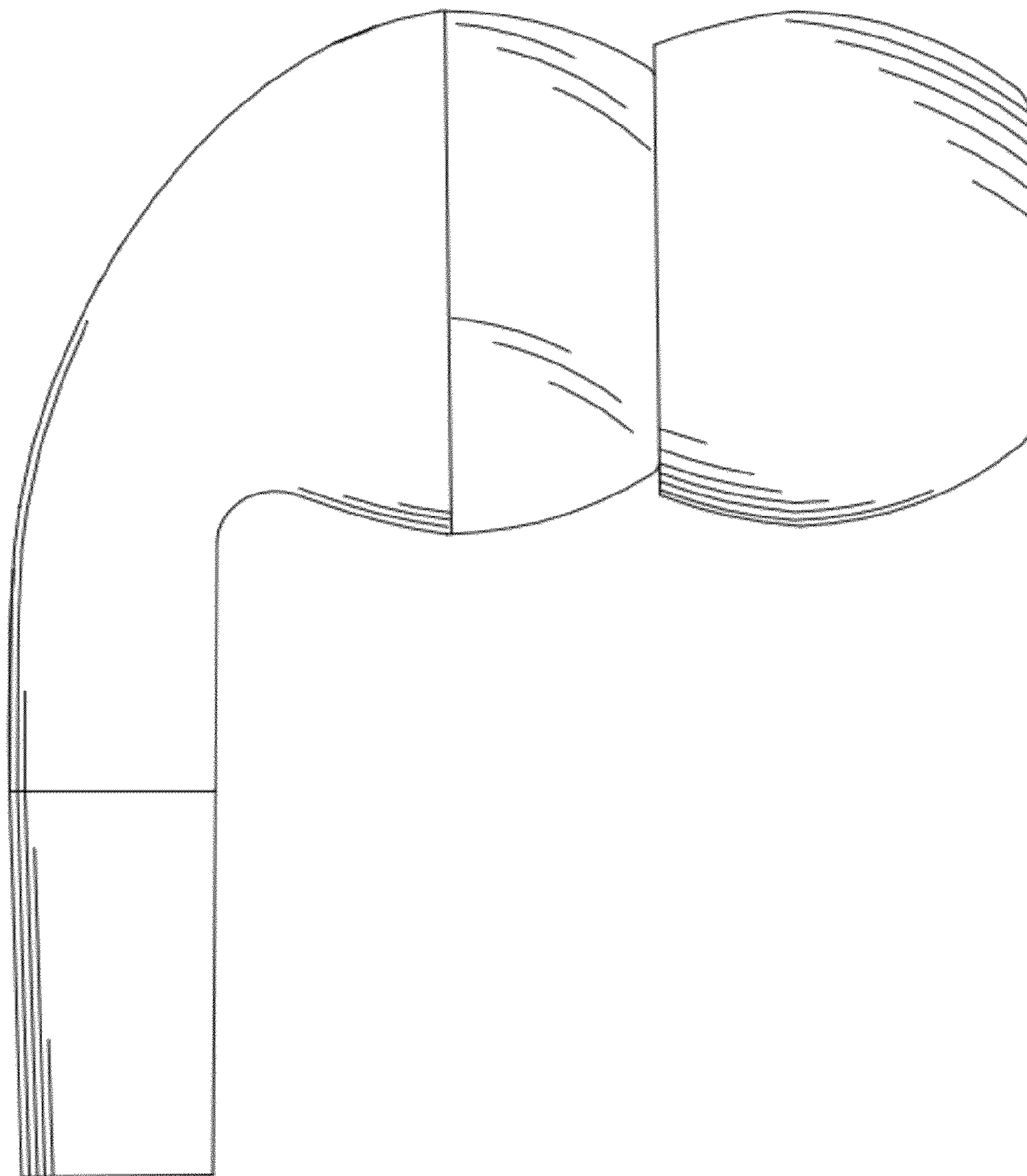


FIG. 3

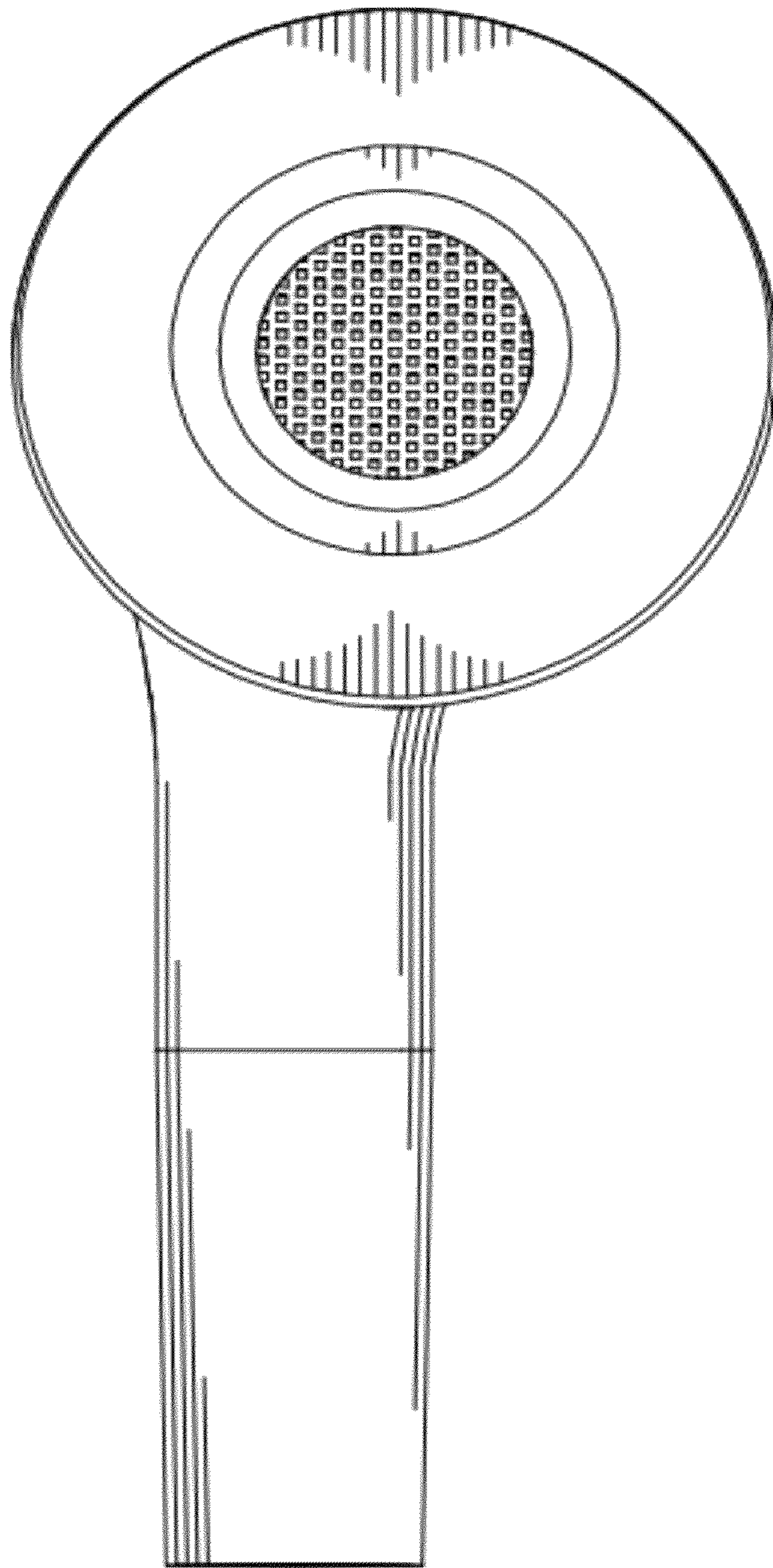


FIG. 4

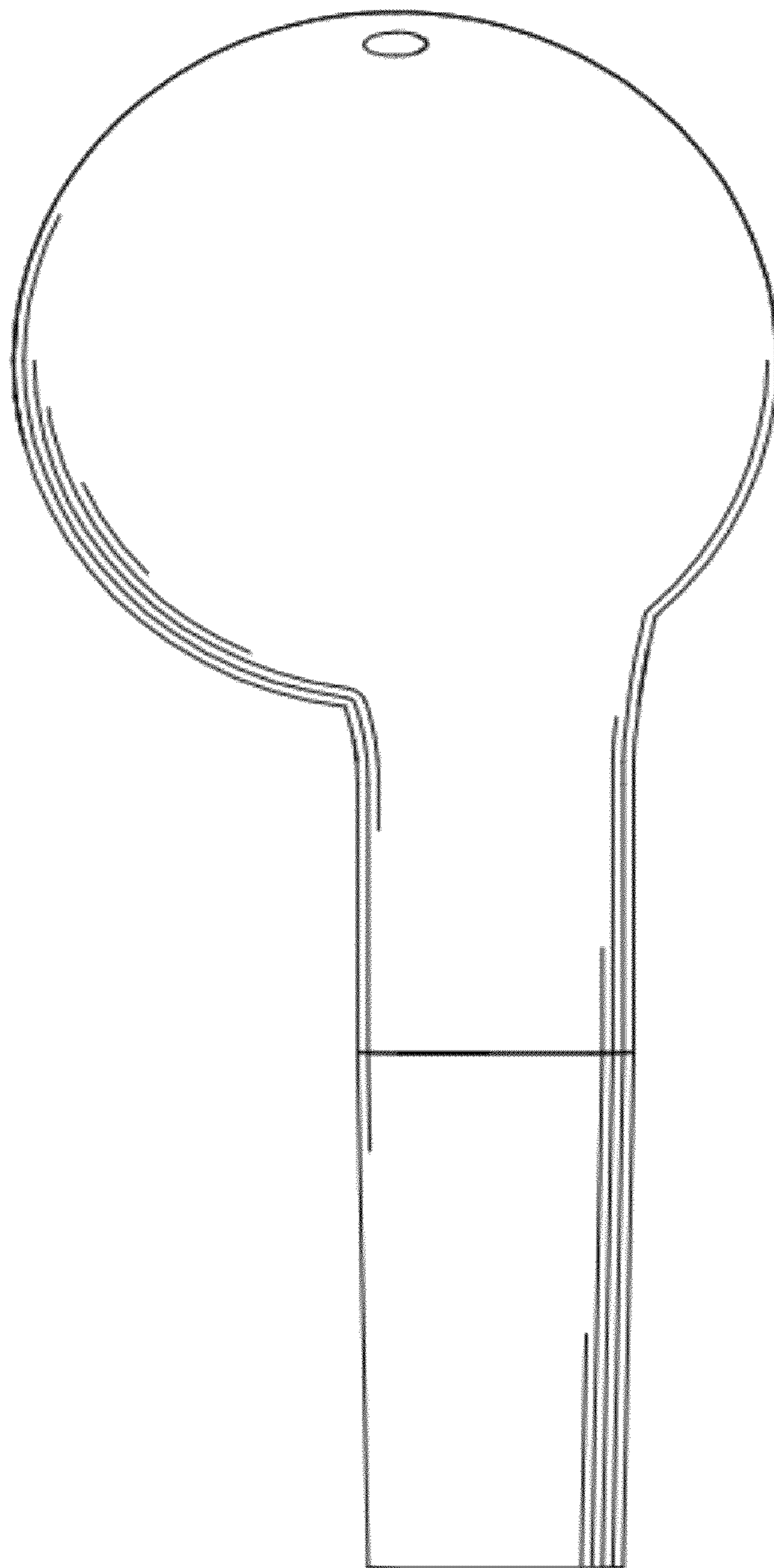


FIG. 5

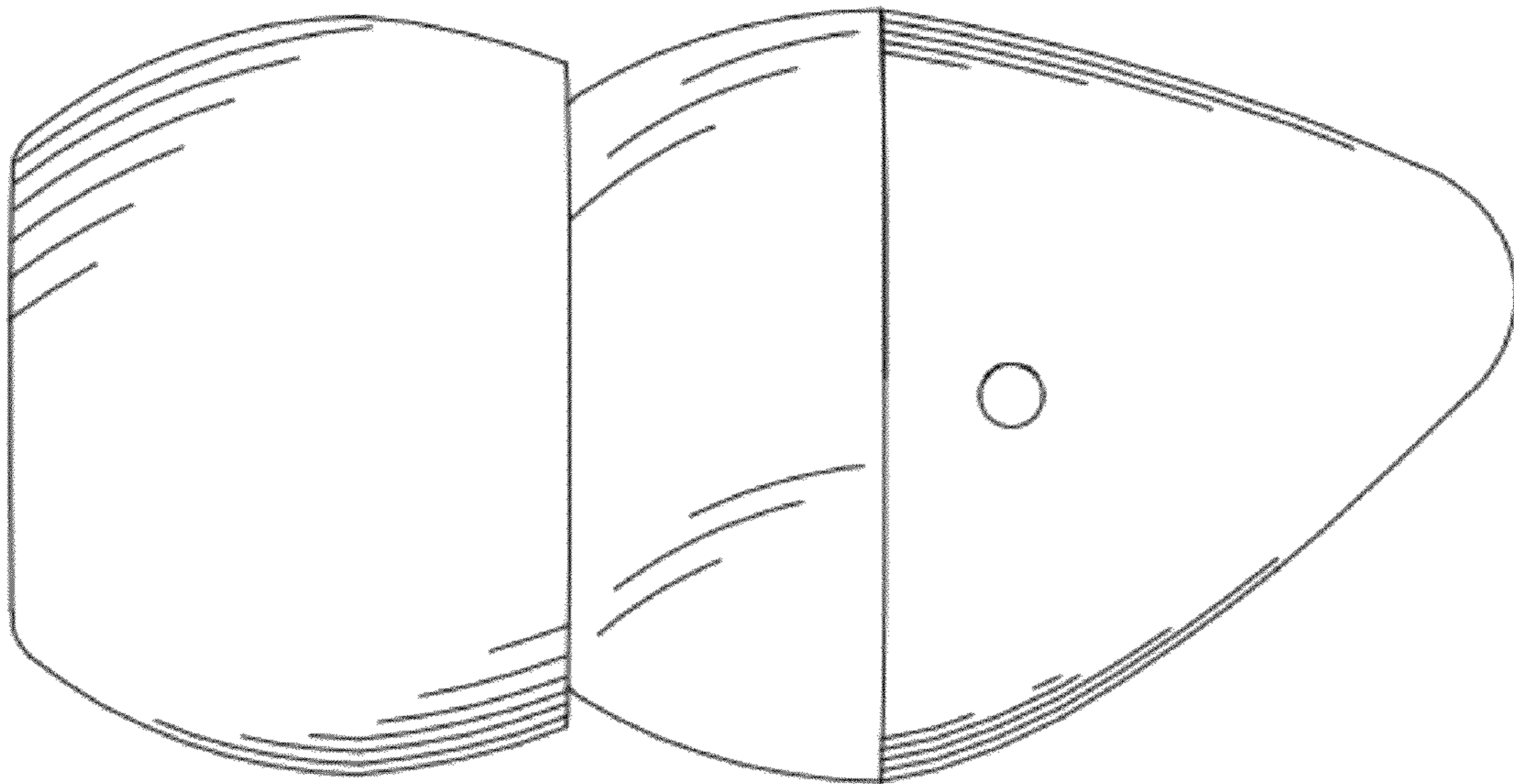


FIG. 6

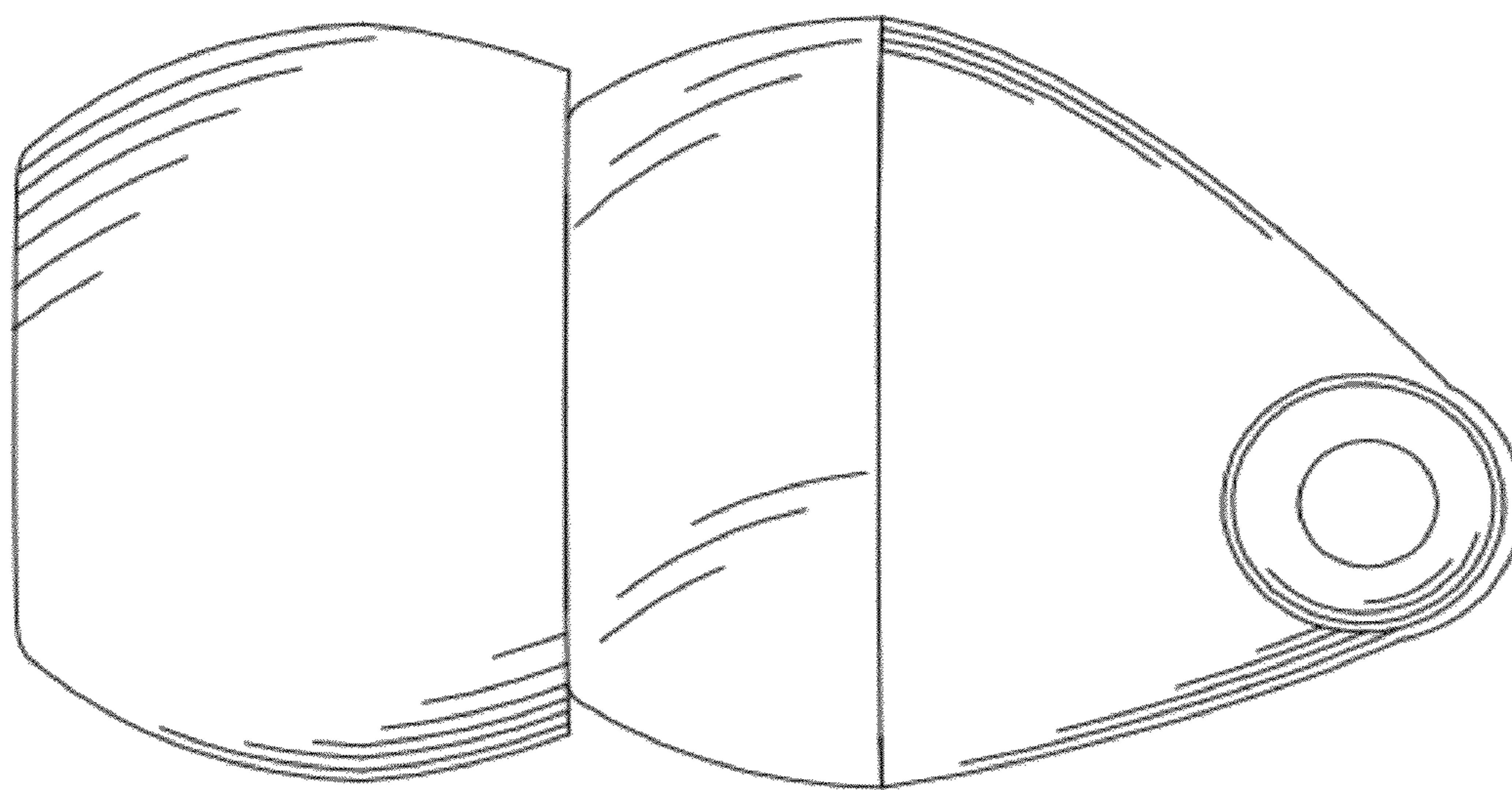


FIG. 7