



US00D662491S

(12) **United States Design Patent**
Andre et al.

(10) **Patent No.:** **US D662,491 S**
(45) **Date of Patent:** **** Jun. 26, 2012**

(54) **DOCKING STATION**

(75) Inventors: **Bartley K. Andre**, Menlo Park, CA (US); **Daniel J. Coster**, San Francisco, CA (US); **Daniele De Iuliis**, San Francisco, CA (US); **Richard P. Howarth**, San Francisco, CA (US); **Jonathan P. Ive**, San Francisco, CA (US); **Duncan Robert Kerr**, San Francisco, CA (US); **Shin Nishibori**, San Francisco, CA (US); **Matthew Dean Rohrbach**, San Francisco, CA (US); **Douglas B. Satzger**, Menlo Park, CA (US); **Calvin Q. Seid**, Palo Alto, CA (US); **Christopher J. Stringer**, Portola Valley, CA (US); **Eugene Antony Whang**, San Francisco, CA (US); **Rico Zorkendorfer**, San Francisco, CA (US)

(73) Assignee: **Apple Inc.**, Cupertino, CA (US)

(**) Term: **14 Years**

(21) Appl. No.: **29/237,687**

(22) Filed: **Sep. 2, 2005**

(51) **LOC (9) Cl.** **14-03**

(52) **U.S. Cl.** **D14/217; D14/434; D13/108**

(58) **Field of Classification Search** D14/142, D14/149, 217, 251, 432, 434, 435, 447, 496; D13/107, 108, 118; 248/221.11, 309.1; 320/107, 320/110, 113-115; 361/600, 679, 683, 686; 439/529, 534; 455/556.1, 556.2, 557

See application file for complete search history.

(56) **References Cited**

U.S. PATENT DOCUMENTS

D328,277 S 7/1992 Leman et al.

(Continued)

OTHER PUBLICATIONS

“Adaptec xHub for Notebooks”, http://www.everythingusb.com/hardware/index/Adaptec_xHub_for_Notebooks.htm, downloaded Nov. 22, 2005.

“Belkin’s Top loading USB Hub for iPod shuffle”, http://www.everythingusb.com/belkin_hispeed_usb_2.0_4-port_hub.html, downloaded Nov. 22, 2005.

(Continued)

Primary Examiner — Stella Reid

Assistant Examiner — Keli L Hill

(74) *Attorney, Agent, or Firm* — Sterne, Kessler, Goldstein & Fox PLLC

(57) **CLAIM**

We claim the ornamental design for a docking station, substantially as shown and described.

DESCRIPTION

FIG. 1 is a front perspective view of a docking station embodying our new design.

FIG. 2 is a rear perspective view of the docking station.

FIG. 3 is a top view for the docking station.

FIG. 4 is a bottom view for the docking station.

FIG. 5 is a front view for the docking station.

FIG. 6 is a rear view for the docking station.

FIG. 7 is a left side view for the docking station.

FIG. 8 is a right side view for the docking station.

FIG. 9 is a front view of an electronic device being inserted into the docking station.

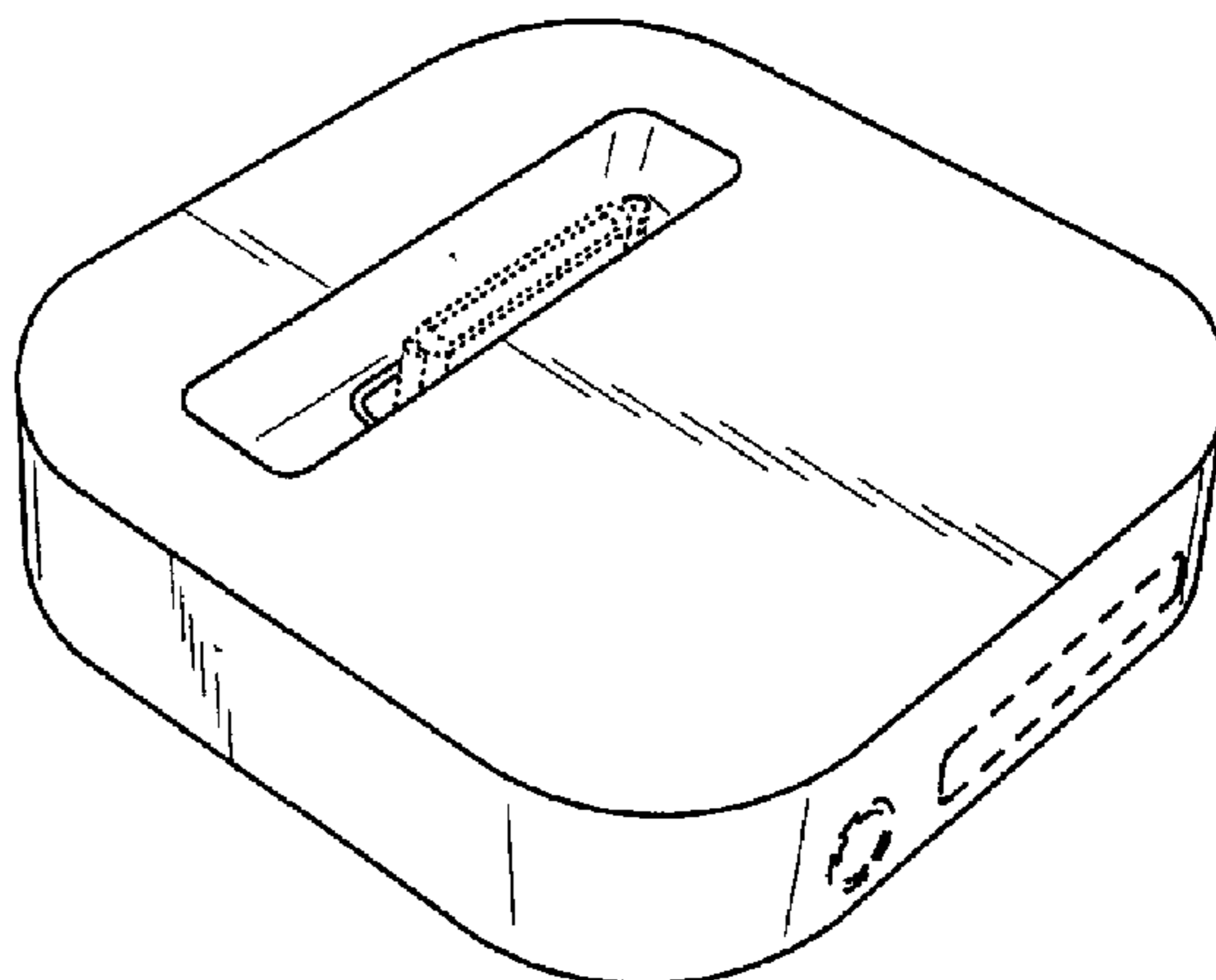
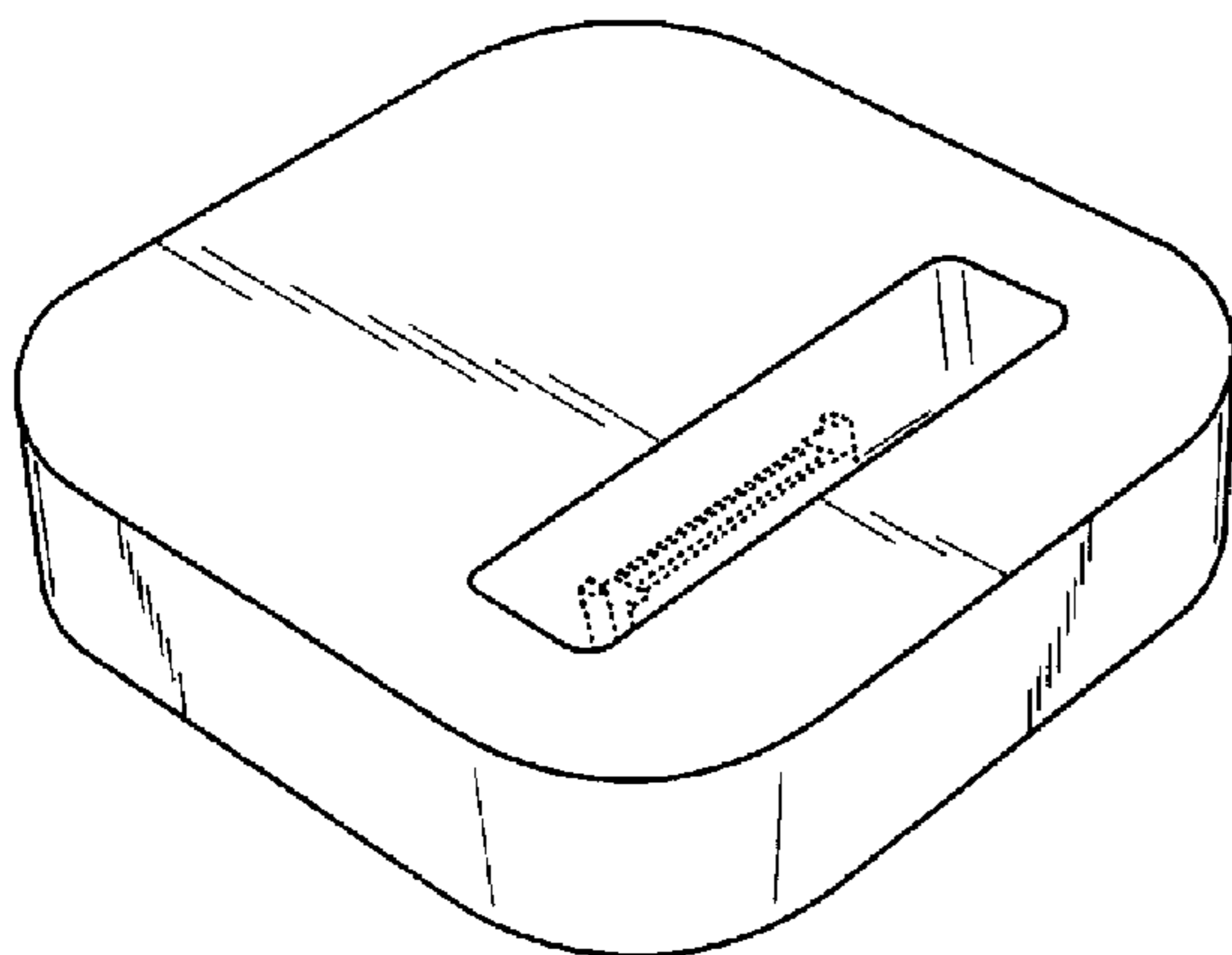
FIG. 10 is a front view of the docking station with the electronic device inserted therein; and,

FIG. 11 is a side view of the docking station with the electronic device inserted therein.

An example of an electronic device is shown and described, for example in U.S. Design patent application No. 29/237,090, filed Aug. 24, 2005 and entitled “Media Device”, which is hereby incorporated herein by reference. All of the material from the U.S. Design patent application that is essential to the claimed design is included herein. An material in the U.S. Design patent application that is not present herein forms no part of the claimed design.

The broken line showing of the docking station is included for the purpose of illustrating environmental structure and forms no part of the claimed design.

1 Claim, 6 Drawing Sheets



US D662,491 S

Page 2

U.S. PATENT DOCUMENTS

D336,631 S 6/1993 Ivester
D350,330 S 9/1994 Peterson
D374,858 S 10/1996 Chu
5,600,225 A 2/1997 Goto
5,627,727 A 5/1997 Aguilera et al.
D385,530 S * 10/1997 Hames et al. D13/107
D388,764 S 1/1998 Bartling et al.
D397,996 S * 9/1998 Smith D13/168
D409,987 S 5/1999 Okumura
D411,166 S 6/1999 Uemura et al.
5,952,814 A * 9/1999 Van Lerberghe 320/108
D416,536 S 11/1999 Ross et al.
D419,160 S 1/2000 Davidson et al.
6,042,414 A 3/2000 Kunert
D422,556 S 4/2000 Okura et al.
D439,908 S 4/2001 Gozani
D440,542 S 4/2001 Hawkins et al.
D442,939 S * 5/2001 Goldenburg D14/191
D444,121 S 6/2001 Chun et al.
D444,124 S 6/2001 Casey et al.
6,307,348 B1 10/2001 Green
D450,707 S 11/2001 Francavilla et al.
D454,332 S 3/2002 Yokoyama
D459,299 S 6/2002 Hughes et al.
D461,476 S 8/2002 Evers et al.
D463,361 S 9/2002 Ruohonen
D466,122 S 11/2002 Moody
D468,305 S 1/2003 Ma et al.
6,524,240 B1 2/2003 Thede
D472,900 S 4/2003 Matsumoto
D477,823 S 7/2003 Lavello
D487,897 S * 3/2004 Huang et al. D14/434
6,711,005 B2 3/2004 Martin
D495,336 S 8/2004 Andre et al.
6,798,647 B2 9/2004 Dickie
6,813,528 B1 11/2004 Yang

6,898,080 B2 5/2005 Yin et al.
D510,091 S * 9/2005 Mori et al. D14/434
7,075,579 B2 * 7/2006 Whitby et al. 348/375
D526,321 S * 8/2006 Hayes et al. D14/435
D530,717 S * 10/2006 Mori et al. D14/434
D532,005 S * 11/2006 Leith D14/253
7,145,603 B2 * 12/2006 Whitby et al. 348/375
D535,614 S * 1/2007 Majanen et al. D13/108
2002/0103008 A1 8/2002 Rahn et al.
2003/0198015 A1 10/2003 Vogt

OTHER PUBLICATIONS

“Belkin Hi-Speed USB 2.07_Port Hub”, http://www.everythingusb.com/hardware/index/Belkin_Hi-Speed_USB_2.0_7-Port_Hub..., downloaded Nov. 22, 2005.
U.S. Appl. No. 29/237,097 entitled “Dock Insert” filed Aug. 24, 2005.
U.S. Appl. No. 29/237,111 entitled “Dock Insert” filed Aug. 24 2005.
U.S. Appl. No. 29/237,112 entitled “Dock Insert” filed Aug. 24, 2005.
U.S. Appl. No. 29/237,233 entitled “Docking Station” filed Aug. 24, 2005.
U.S. Appl. No. 29/237,084 entitled “Docking Station” filed Aug. 24, 2005.
U.S. Appl. No. 29/220,258 entitled “Stand” filed Dec. 23, 2004.
U.S. Appl. No. 11/212,302 entitled “Docking Station for Hand Held Electronic Devices”, filed Aug. 24, 2005.
U.S. Appl. No. 11/125,883 entitled “Universal Docking Station for Hand Held Device”, filed May 9, 2005.
“iPod Dock Cradle”, downloaded Apr. 11, 2003, www.bookendzdocks.com/bookendz/dock_cradel.htm.
“BookEndz Home Page”, downloaded Apr. 11, 2003, www.bookendzdocks.com/bookendz/index.htm.
“Atech Flash Technology Iduo Ipod Dock and card Reader”, www.the-gadgeteer.com, downloaded Nov. 21, 2005.

* cited by examiner

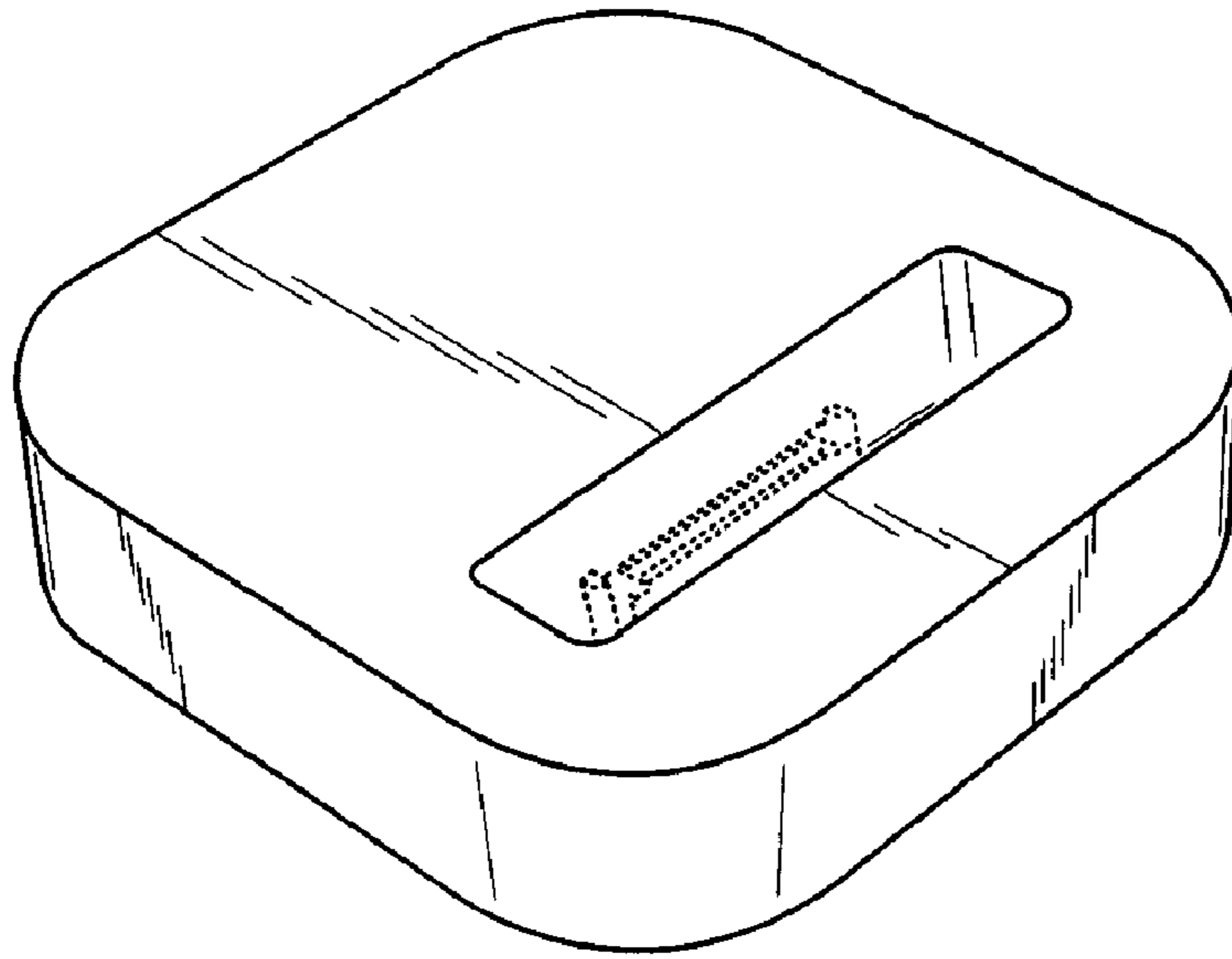


FIG. 1

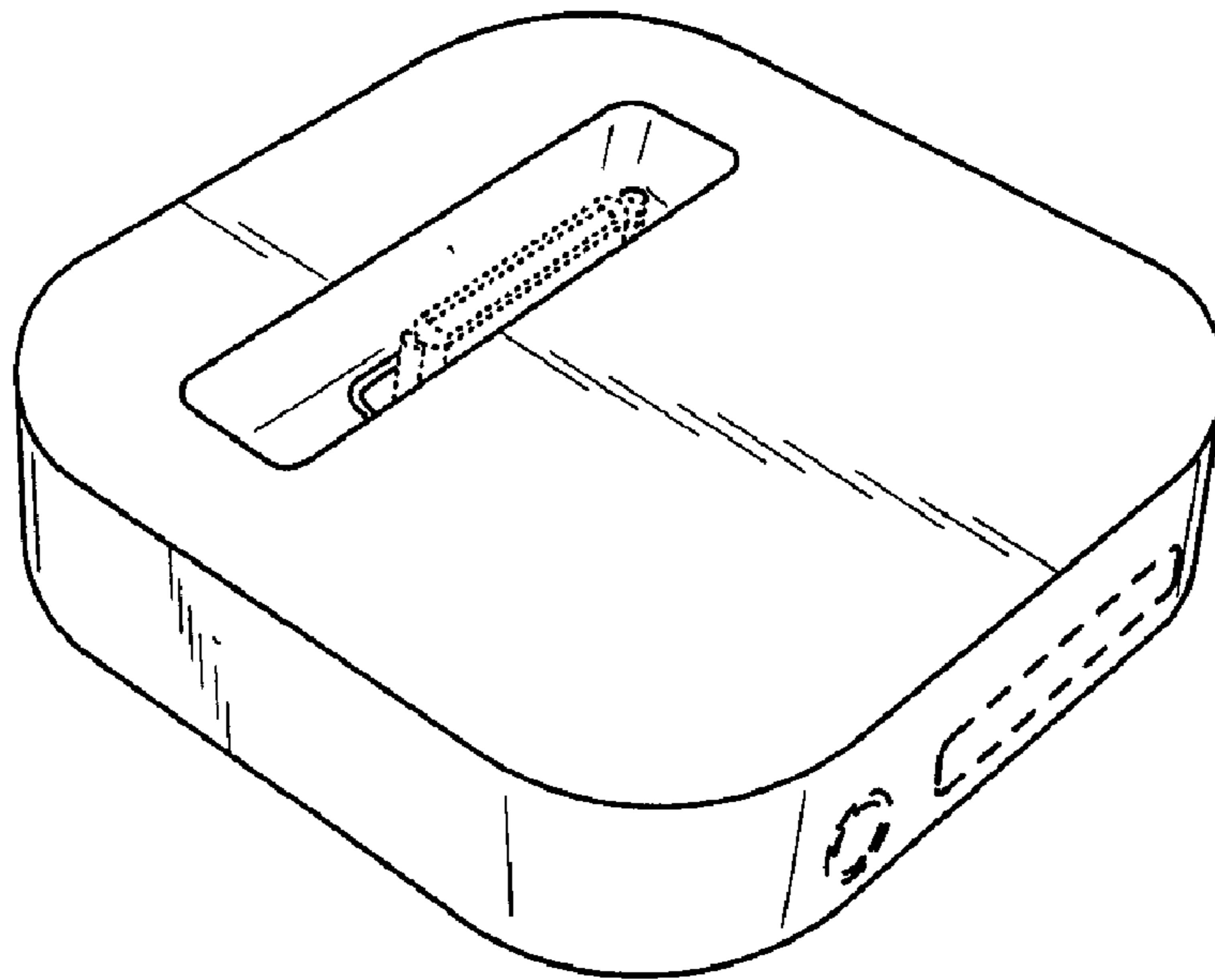


FIG. 2

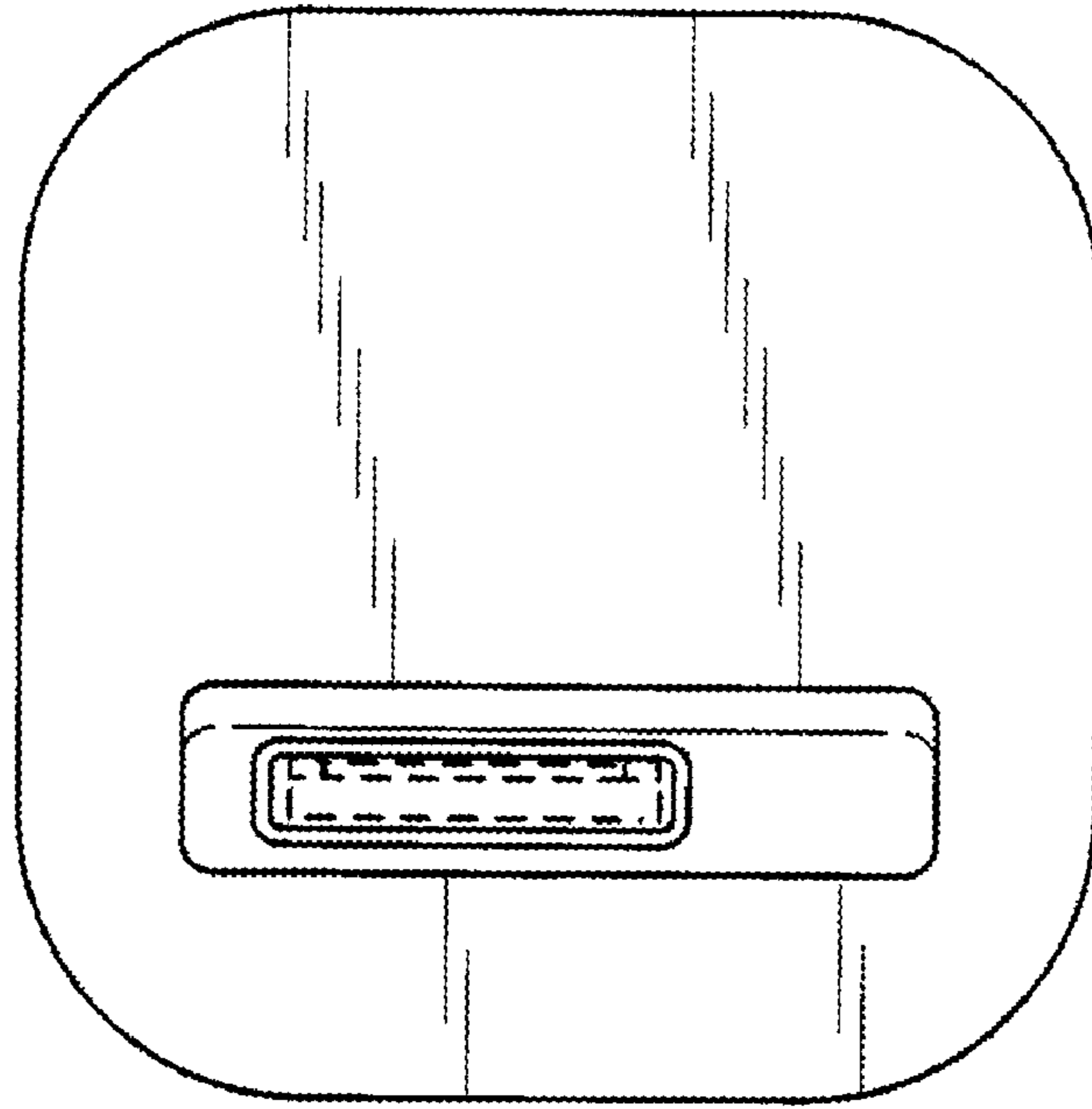


FIG. 3

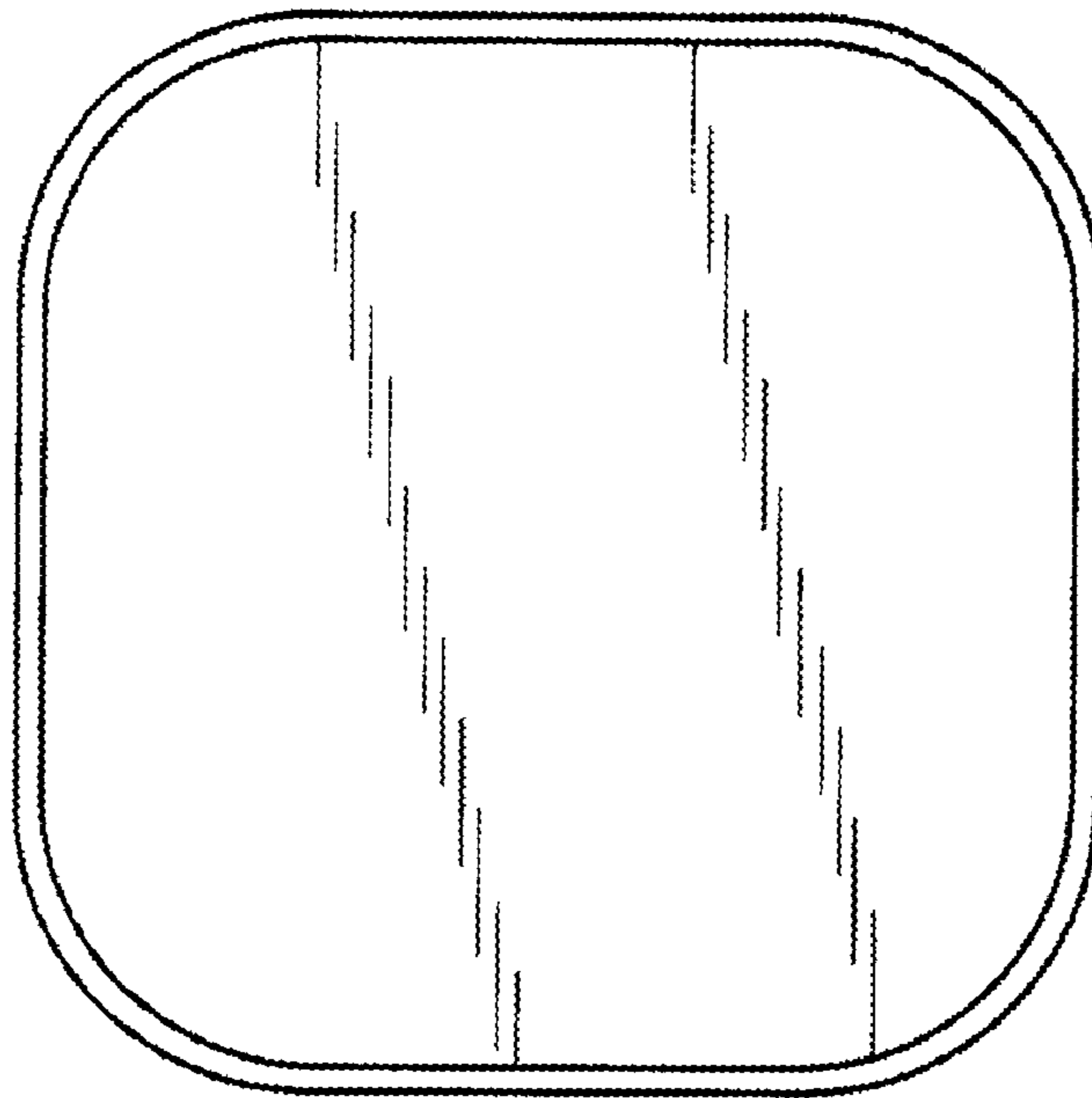


FIG. 4



FIG. 5



FIG. 6

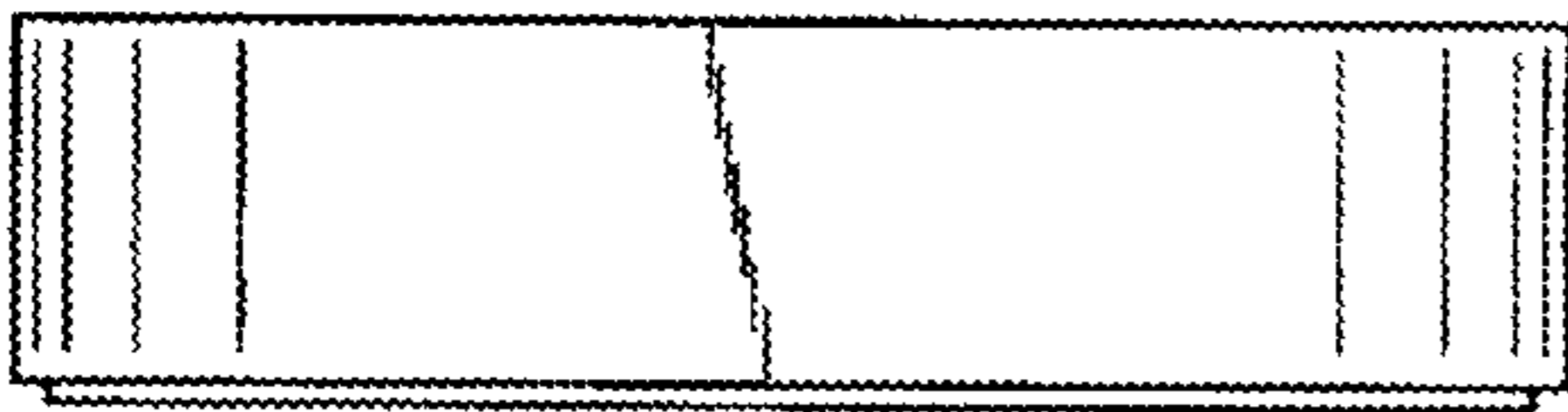


FIG. 7

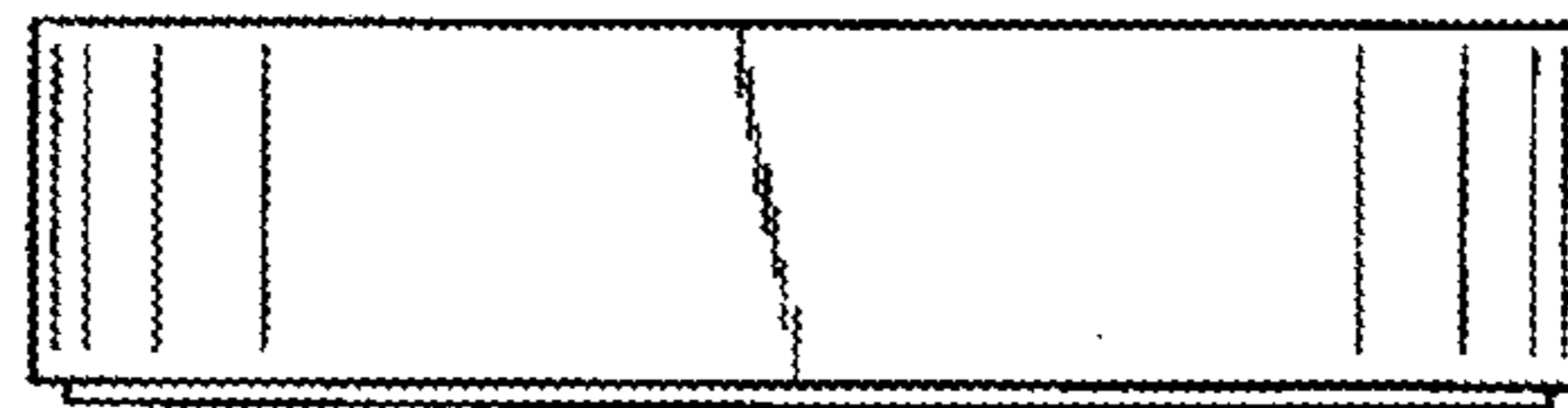


FIG. 8

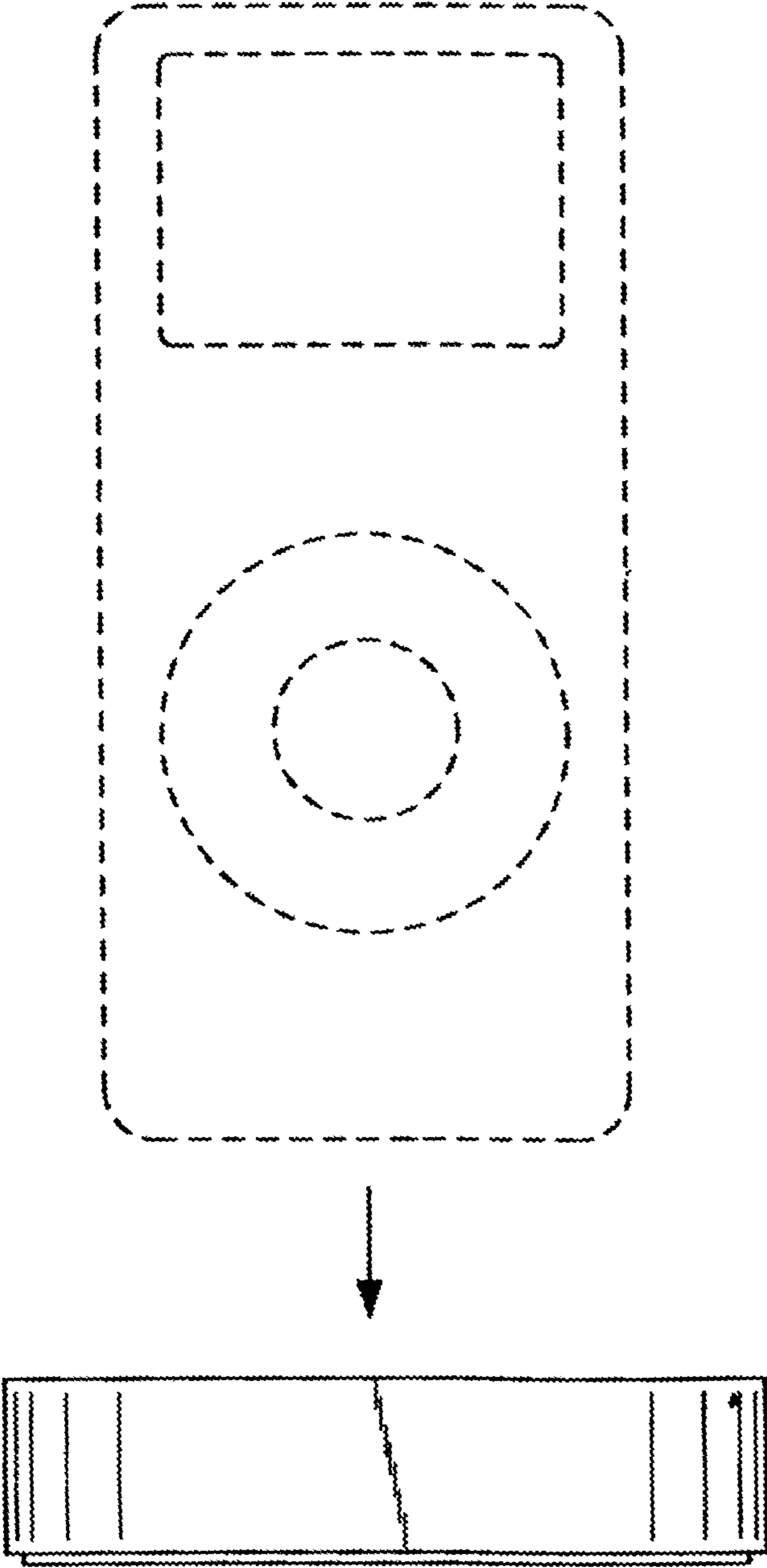


FIG. 9

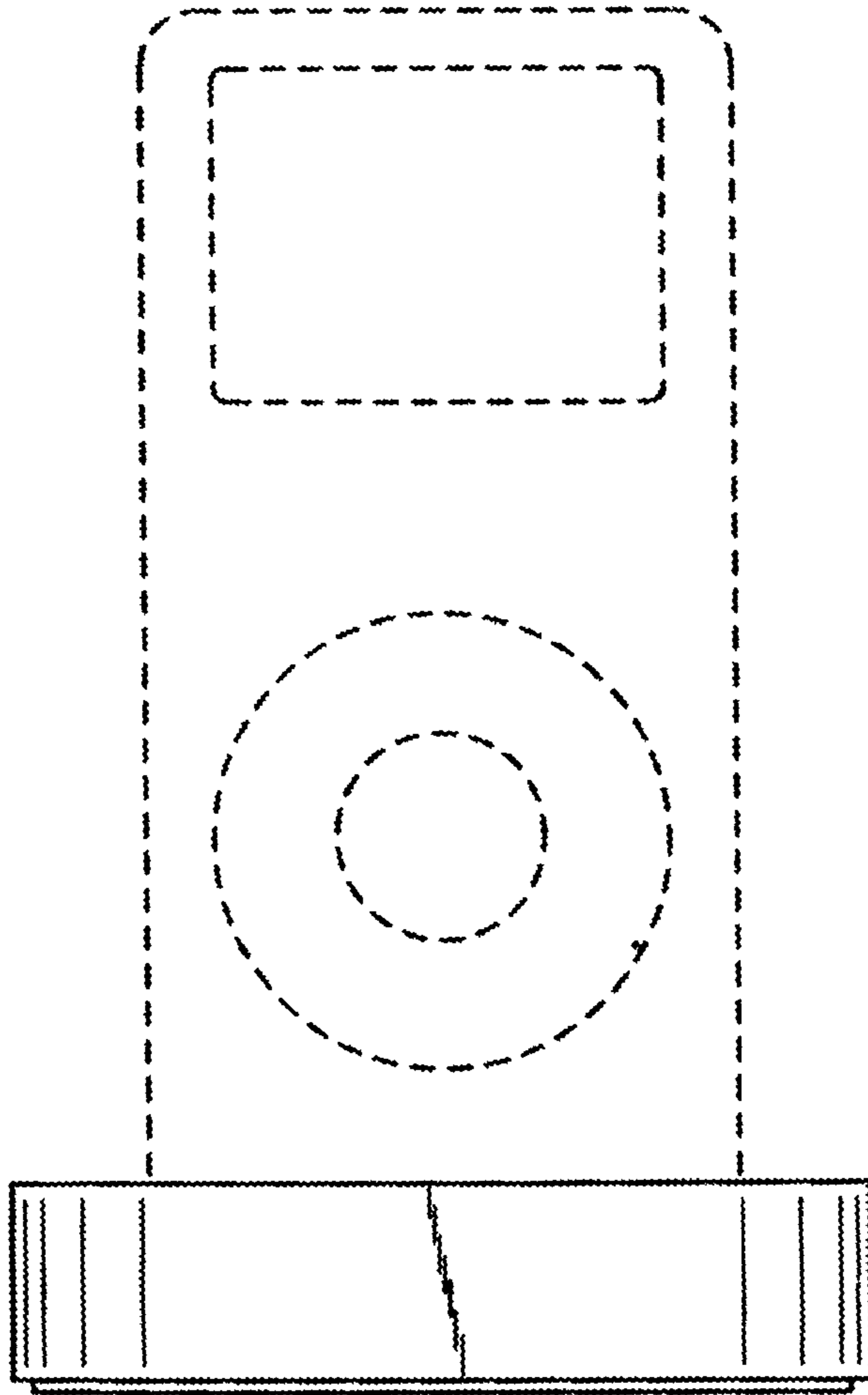


FIG. 10

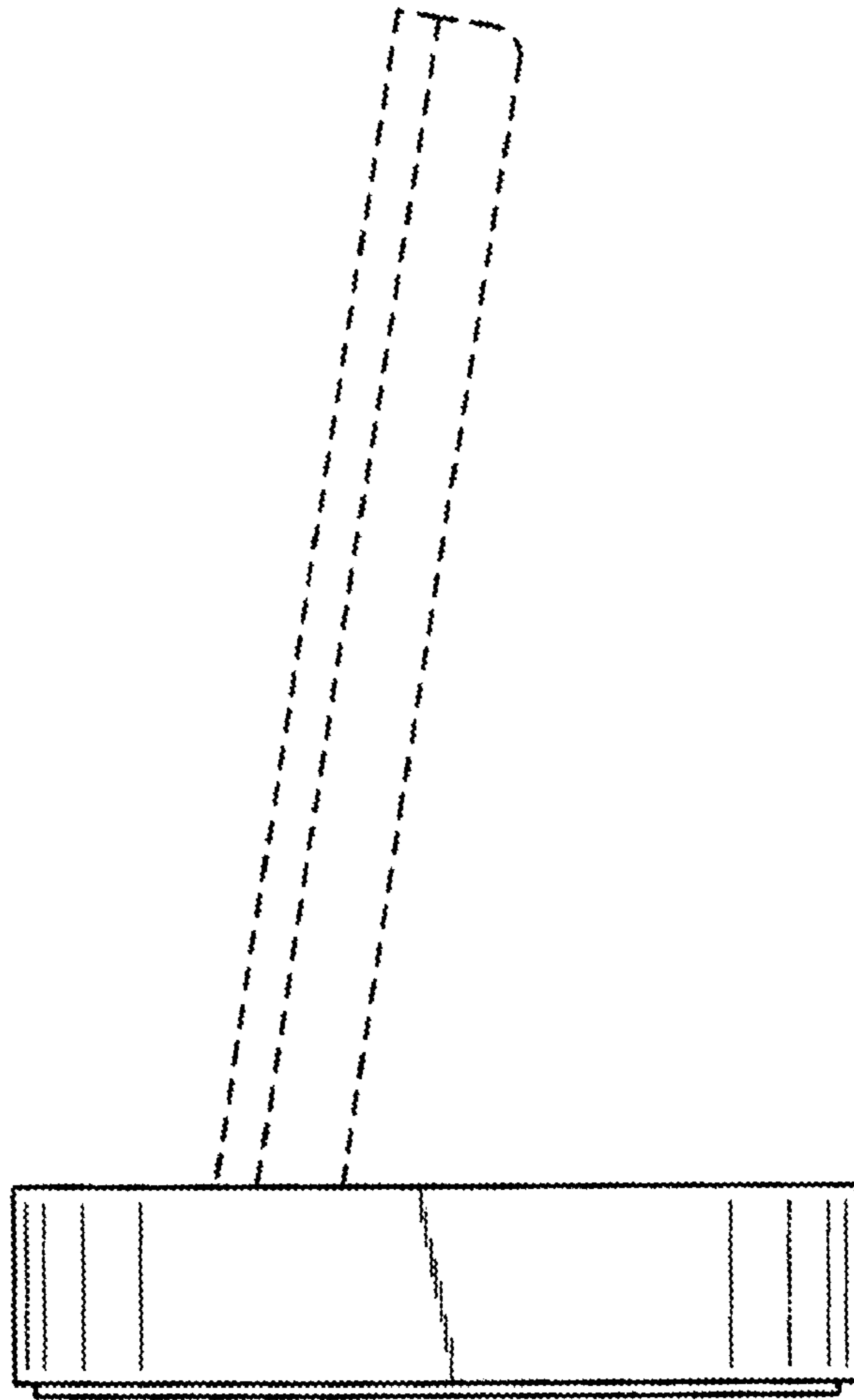


FIG. 11