



US00D662490S

(12) **United States Design Patent**
McSweyn

(10) **Patent No.:** **US D662,490 S**
(45) **Date of Patent:** **** Jun. 26, 2012**

(54) **HEADPHONE**

(75) **Inventor:** **Christopher McSweyn**, Oxnard, CA
(US)

(73) **Assignee:** **Scosche Industries, Inc.**, Oxnard, CA
(US)

(**) **Term:** **14 Years**

(21) **Appl. No.:** **29/386,487**

(22) **Filed:** **Mar. 1, 2011**

(51) **LOC (9) Cl.** **14-01**

(52) **U.S. Cl.** **D14/205**

(58) **Field of Classification Search** D14/205,
D14/206; 181/129, 130, 135; 379/430, 431,
379/433.01, 433.03, 420.04; 381/371, 380,
381/381, 370, 379, 374; D29/112; 2/209;
455/90.3, 569.1, 575.1

See application file for complete search history.

(56) **References Cited**

U.S. PATENT DOCUMENTS

D313,092	S	*	12/1990	Nilsson	D29/112
D351,172	S	*	10/1994	Nakamura et al.	D14/205
5,793,878	A	*	8/1998	Chang	381/370
6,081,604	A	*	6/2000	Hikichi et al.	381/371
D430,140	S	*	8/2000	Roman	D14/205

6,236,732	B1	*	5/2001	Griffith	381/370
6,724,906	B2	*	4/2004	Naksen et al.	381/379
D534,155	S	*	12/2006	Obata	D14/205
D540,301	S	*	4/2007	Obata	D14/205
D552,077	S		10/2007	Brunner et al.		
D563,382	S	*	3/2008	Wikel	D14/205
D582,890	S	*	12/2008	Koza et al.	D14/205
D603,371	S	*	11/2009	Boateng et al.	D14/205
D616,865	S	*	6/2010	Marchand et al.	D14/205
D617,769	S	*	6/2010	Birger	D14/205
D632,668	S	*	2/2011	Brunner et al.	D14/205
D637,176	S	*	5/2011	Brunner et al.	D14/205

* cited by examiner

Primary Examiner — Paula Greene

(74) *Attorney, Agent, or Firm* — Arent Fox, LLP

(57) **CLAIM**

The ornamental design for a headphone, as shown and described.

DESCRIPTION

FIG. 1 is a perspective view of a headphone showing my new design;

FIG. 2 is a side view thereof;

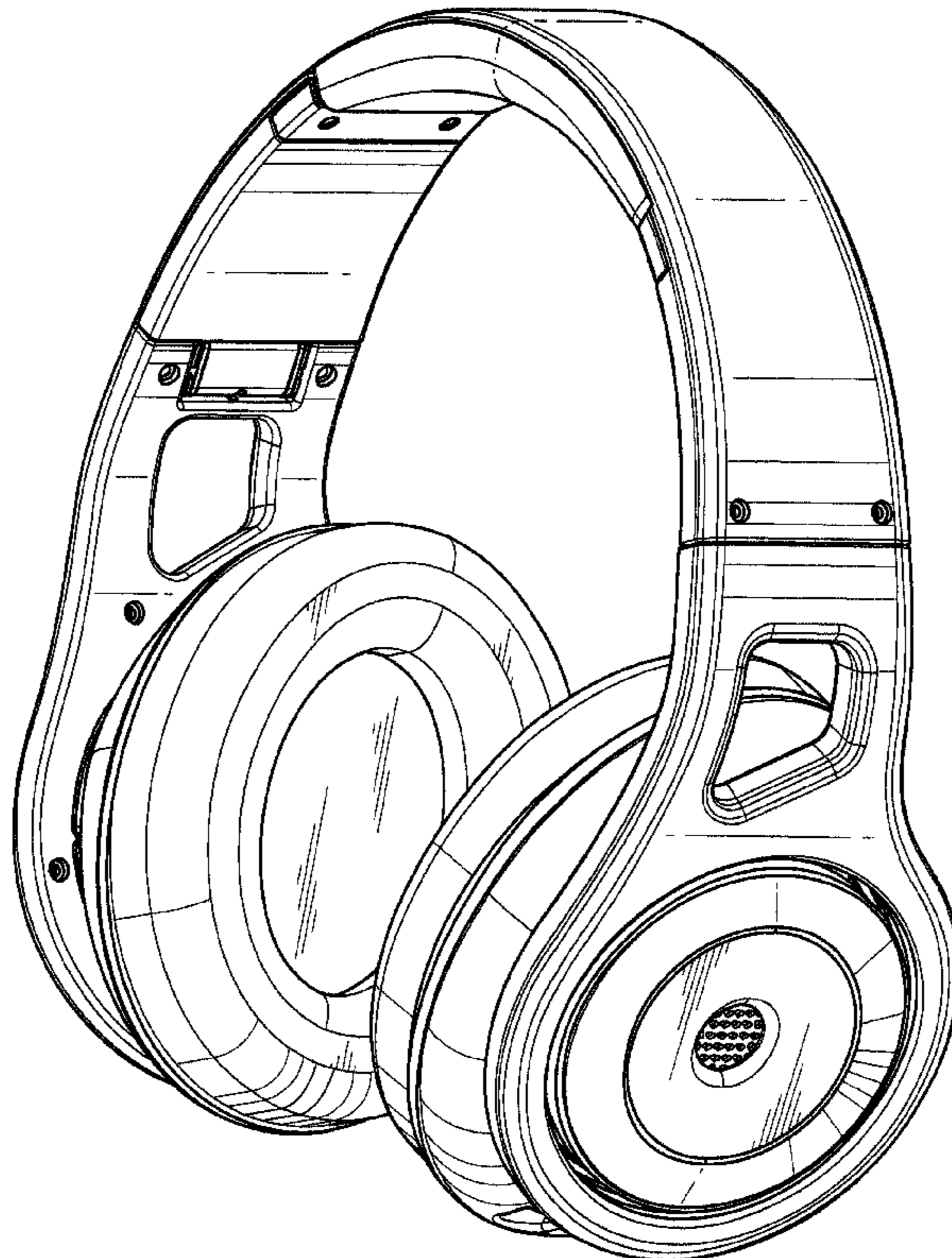
FIG. 3 is a front view thereof;

FIG. 4 is a top view thereof; and,

FIG. 5 is a bottom view thereof.

The mirror image of the interior ear cup forms no part of the claimed design.

1 Claim, 5 Drawing Sheets



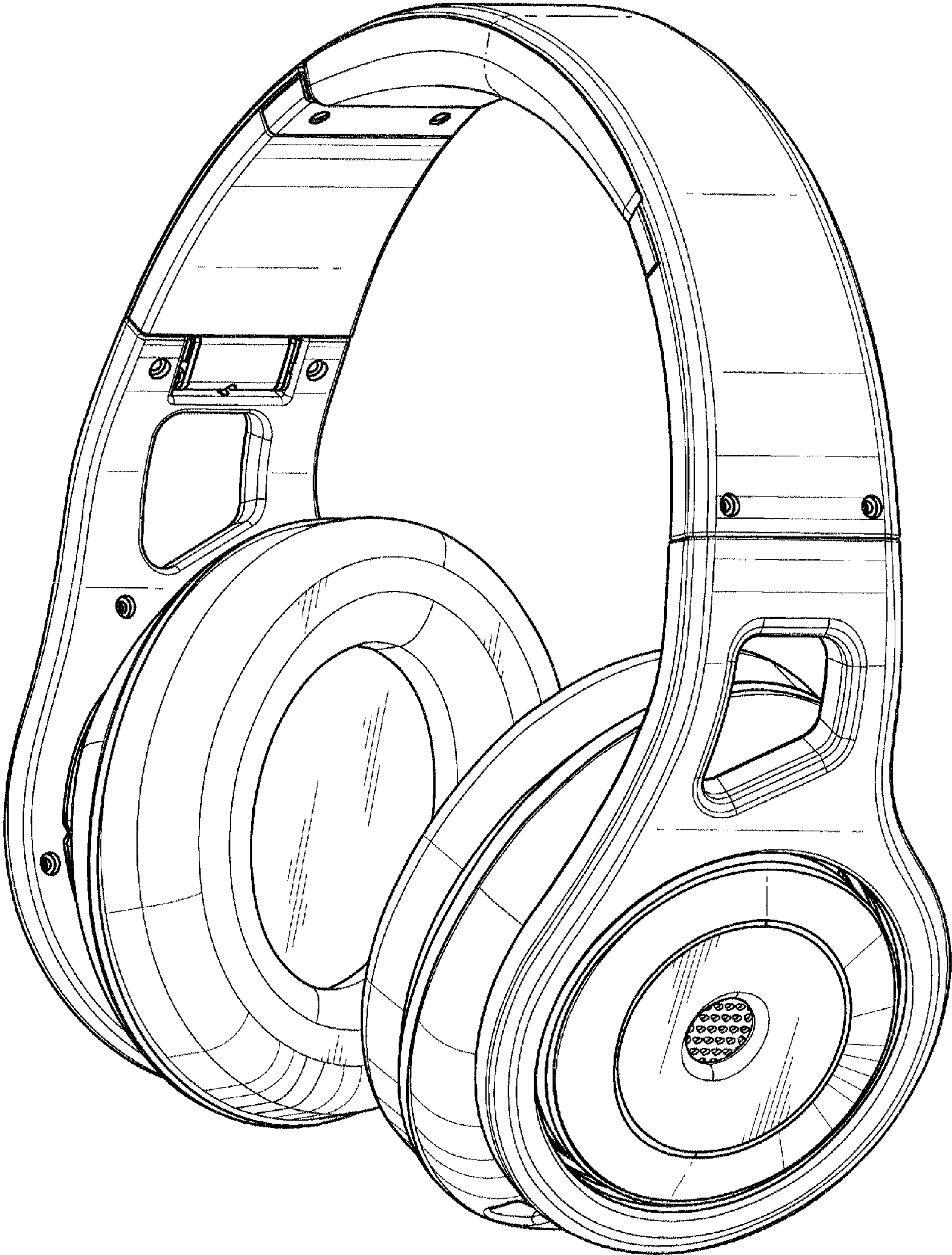


FIG. 1

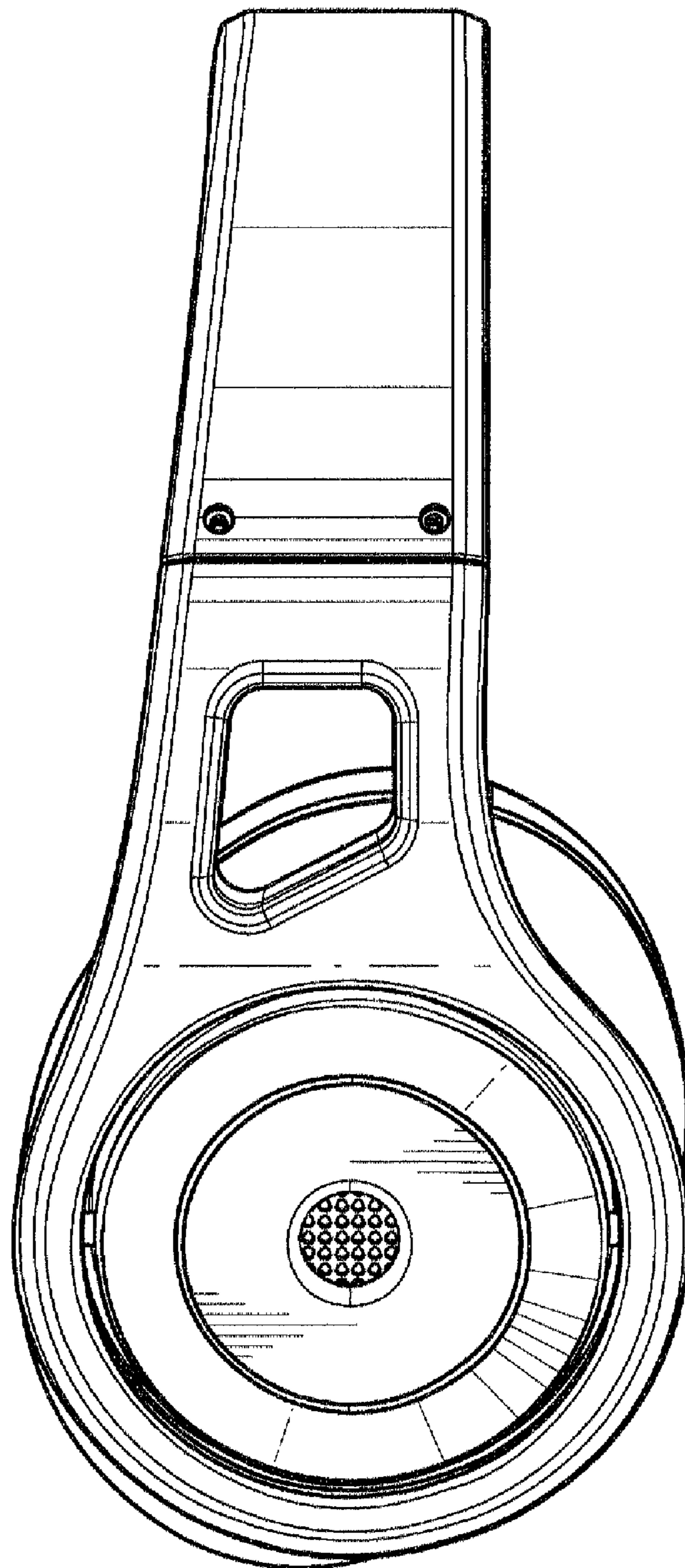


FIG. 2



FIG. 3

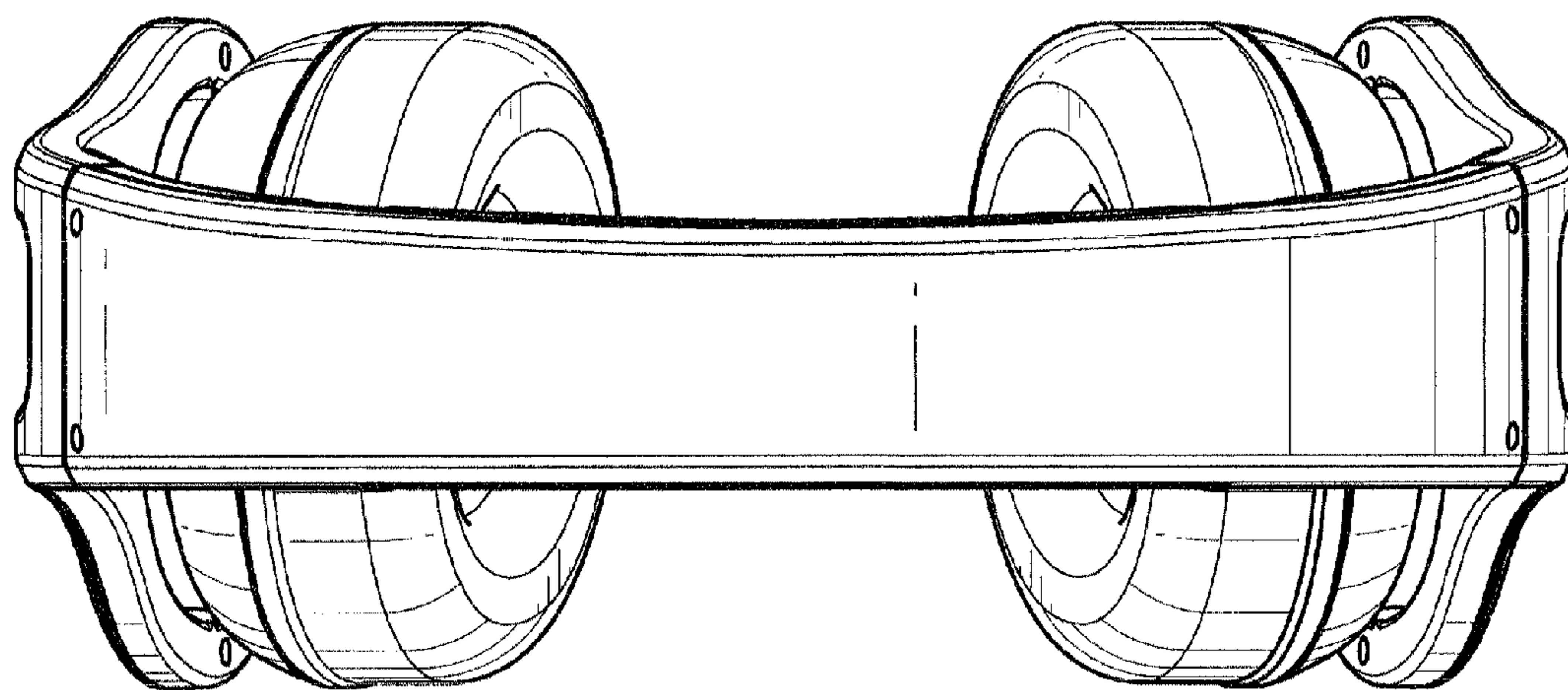


FIG. 4

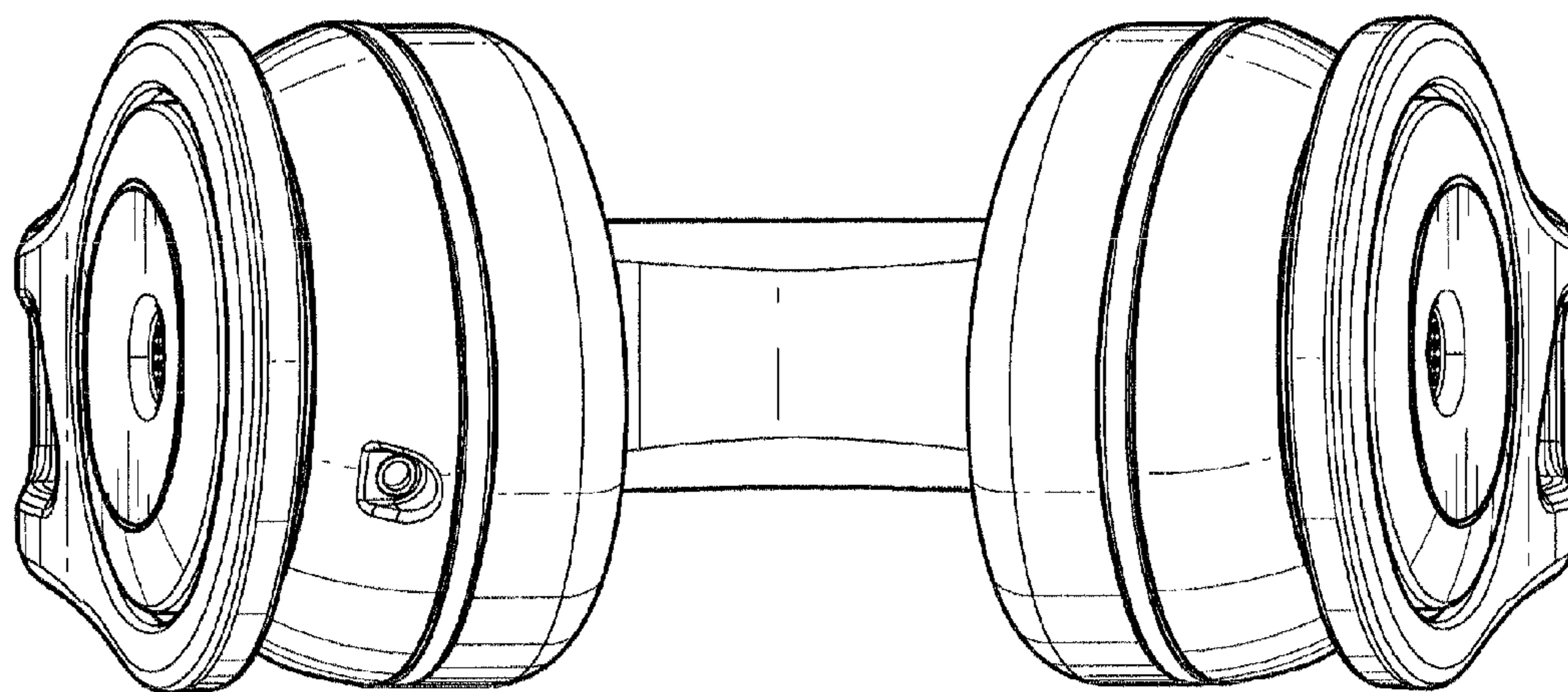


FIG. 5