

US00D662489S

(12) **United States Design Patent**
Yeo

(10) **Patent No.:** **US D662,489 S**
(45) **Date of Patent:** **** Jun. 26, 2012**

(54) **MOBILE MULTI-MEDIA PLAYER**
(75) Inventor: **In-Young Yeo**, Seoul (KR)
(73) Assignee: **Samsung Electronics Co., Ltd.** (KR)
(**) Term: **14 Years**

D626,937 S * 11/2010 Yeo et al. D14/203.7
D628,978 S * 12/2010 Kim D14/203.7
D629,384 S * 12/2010 Lee D14/203.7
7,856,255 B2 * 12/2010 Tsuchiya et al. 455/575.1
D638,395 S * 5/2011 Finnegan D14/203.7
D647,108 S * 10/2011 Lee D14/496
D650,810 S * 12/2011 Lemelman et al. D14/496

* cited by examiner

(21) Appl. No.: **29/400,325**
(22) Filed: **Aug. 26, 2011**

Primary Examiner — Prabhakar Deshmukh
(74) *Attorney, Agent, or Firm* — NSIP Law

(30) **Foreign Application Priority Data**
May 4, 2011 (KR) 30-2011-0018342

(57) **CLAIM**
The ornamental design for a mobile multi-media player, as shown and described.

(51) **LOC (9) Cl.** **14-03**
(52) **U.S. Cl.** **D14/203.7; D14/496; D14/203.3**
(58) **Field of Classification Search** D14/496,
D14/401, 435, 474, 483, 217, 137, 138, 160,
D14/168, 356, 203.1–203.8, 507; 345/156,
345/169, 173–179, 905; 715/727–729, 864;
710/1, 5, 8; 713/1, 600; 455/1.1, 1.7, 73,
455/344–347, 93, 95, 3.01–3.06, 550.1, 573.1;
370/342–344; 369/1, 2, 6–12; 463/43–47;
273/148 B
See application file for complete search history.

DESCRIPTION

FIG. 1 is a perspective view of a mobile multi-media player;
FIG. 2 is a front view of the mobile multi-media player of
FIG. 1;
FIG. 3 is a rear view of the mobile multi-media player of FIG.
1;
FIG. 4 is a left-side view of the mobile multi-media player of
FIG. 1;
FIG. 5 is a right-side view of the mobile multi-media player of
FIG. 1;
FIG. 6 is a top plan view of the mobile multi-media player of
FIG. 1; and,
FIG. 7 is a bottom plan view of the mobile multi-media player
of FIG. 1.

(56) **References Cited**
U.S. PATENT DOCUMENTS
5,825,408 A * 10/1998 Yuyama et al. 348/14.01
7,184,802 B2 * 2/2007 Chadha 455/575.1
D601,122 S * 9/2009 Hibino et al. D14/203.7

1 Claim, 5 Drawing Sheets

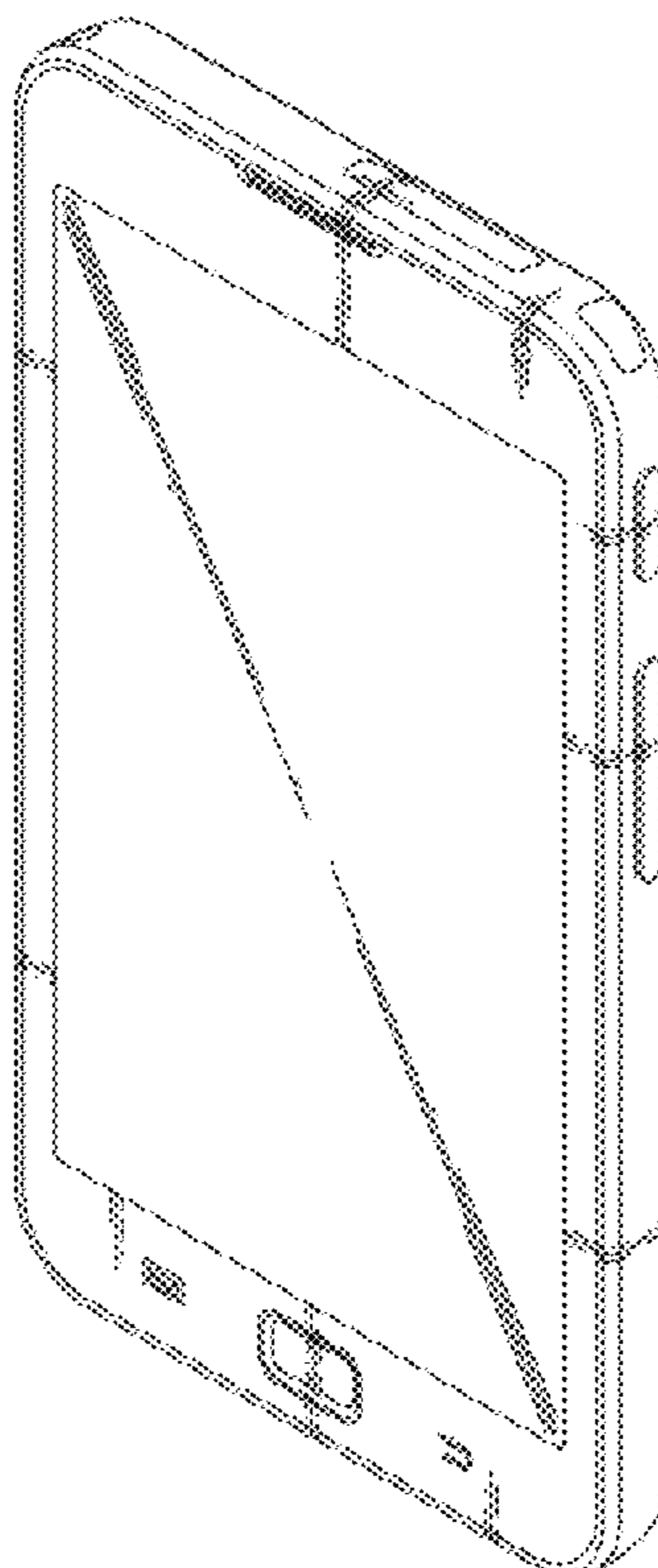


FIG. 1

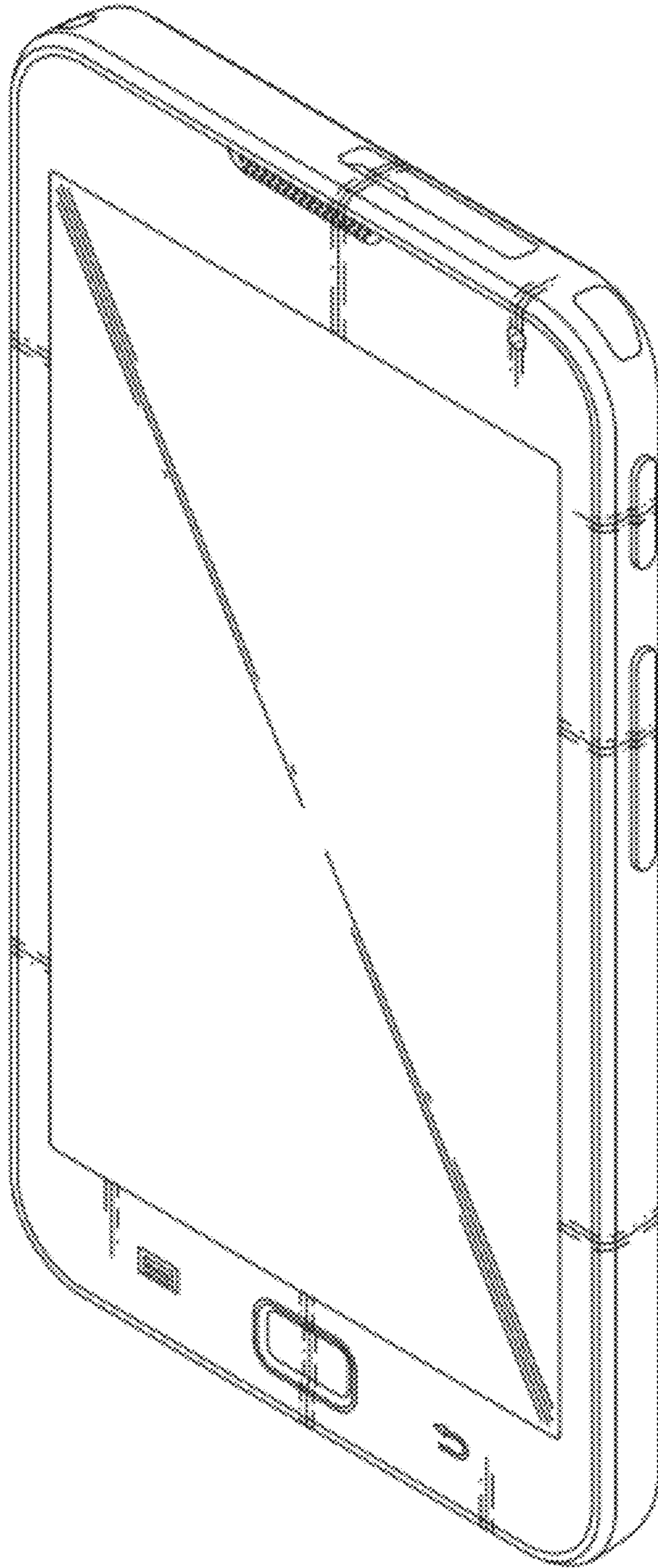


FIG. 2

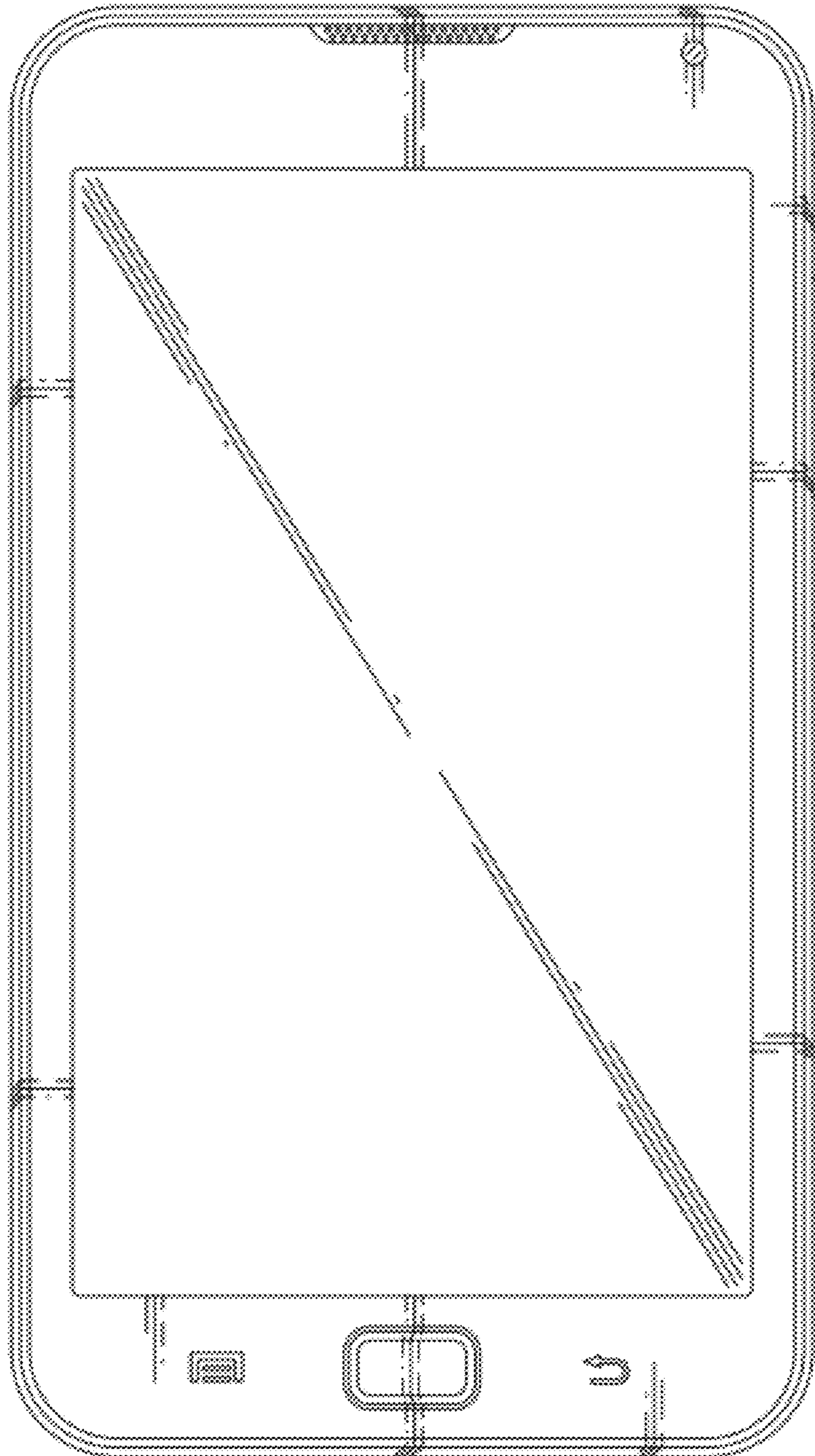


FIG. 3

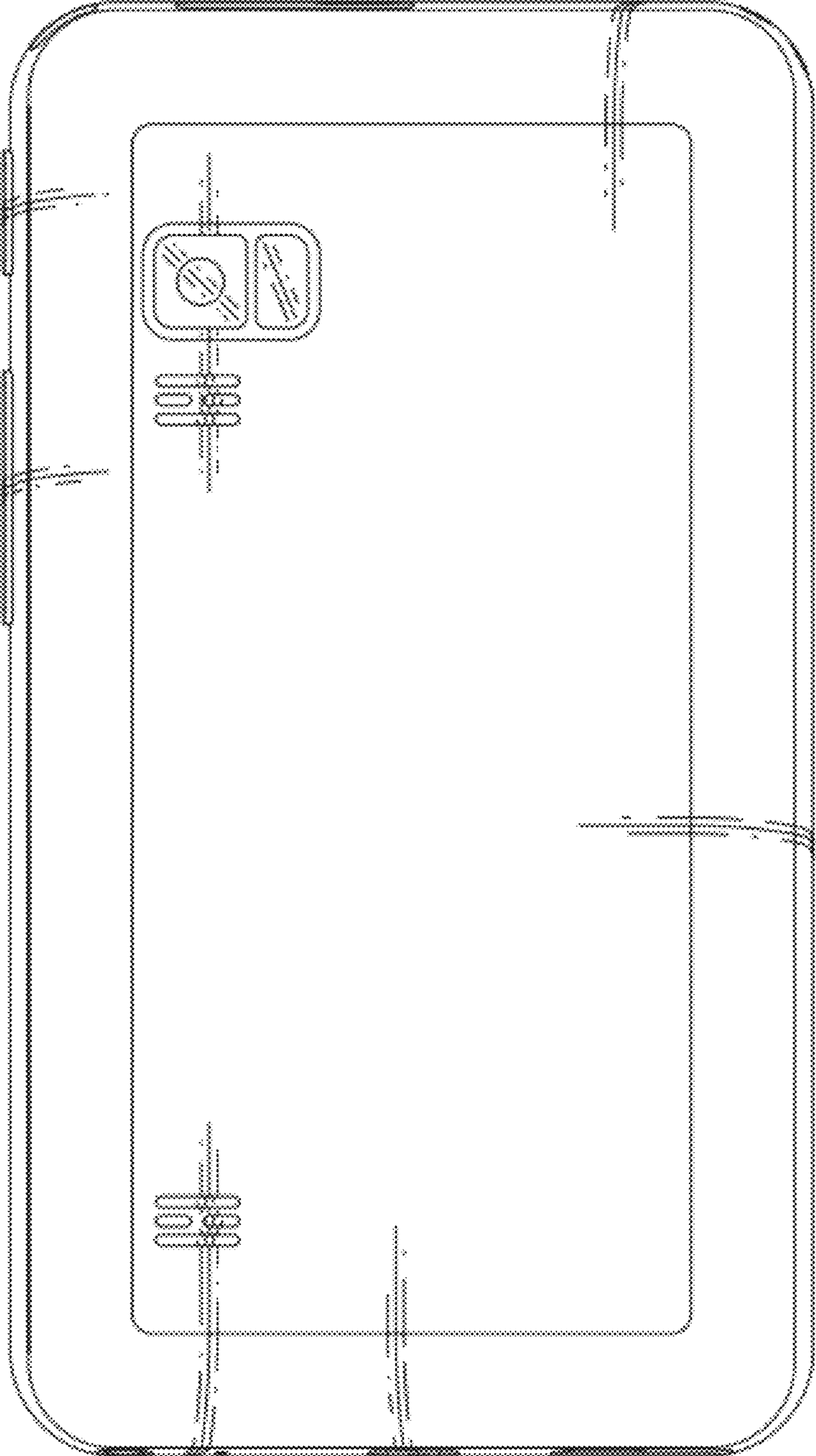


FIG. 4

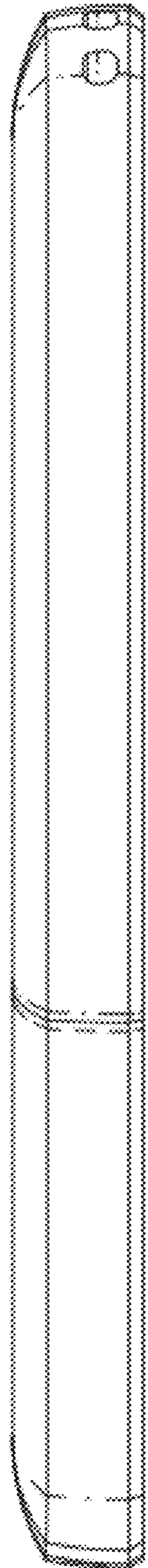


FIG. 5

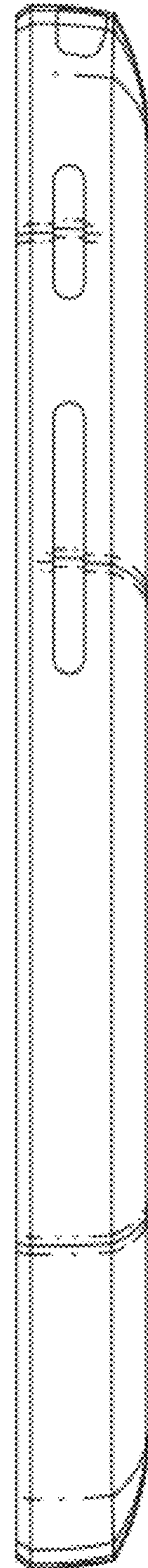


FIG. 6

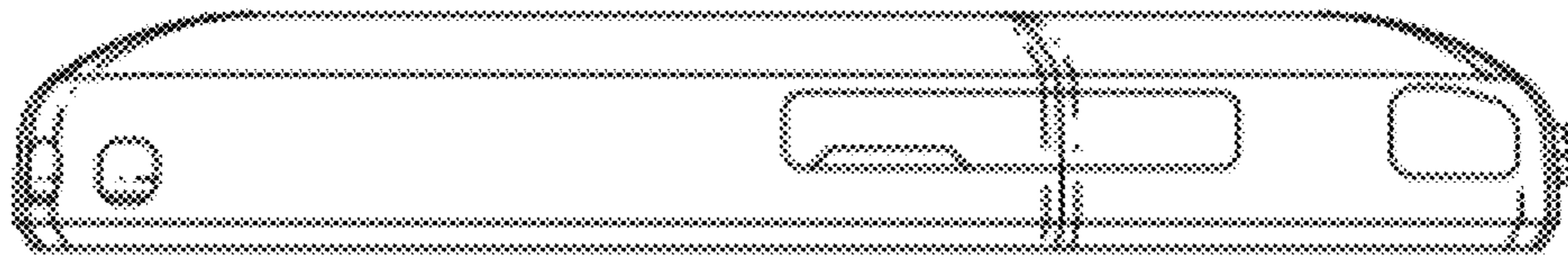


FIG. 7

