

US00D662488S

(12) **United States Design Patent**
Yeo

(10) **Patent No.:** **US D662,488 S**
(45) **Date of Patent:** **** Jun. 26, 2012**

(54) **MP3 PLAYER**

(75) Inventor: **In-Young Yeo**, Seoul (KR)

(73) Assignee: **Samsung Electronics Co., Ltd.** (KR)

(**) Term: **14 Years**

(21) Appl. No.: **29/400,320**

(22) Filed: **Aug. 26, 2011**

(30) **Foreign Application Priority Data**

May 4, 2011 (KR) 30-2011-0018340

(51) **LOC (9) Cl.** **14-03**

(52) **U.S. Cl.** **D14/203.7; D14/496; D14/203.3**

(58) **Field of Classification Search** D14/496,
D14/401, 435, 474, 483, 217, 137, 138, 160,
D14/168, 356, 203.1–203.8, 507; 345/156,
345/169, 173–179, 905; 715/727–729, 864;
710/1, 5, 8; 713/1, 600; 455/1.1, 1.7, 73,
455/344–347, 93, 95, 3.01–3.06, 550.1, 573.1;
370/342–344; 369/1, 2, 6–12; 463/43–47;
273/148 B

See application file for complete search history.

(56) **References Cited**

U.S. PATENT DOCUMENTS

6,593,914	B1 *	7/2003	Nuovo et al.	345/169
6,671,567	B1 *	12/2003	Dwyer et al.	700/94
6,966,651	B2 *	11/2005	Johnson	353/15
D532,425	S *	11/2006	Kim	D14/203.7
D537,808	S *	3/2007	Lee	D14/203.7
7,203,529	B2 *	4/2007	Kim et al.	455/575.1
7,258,449	B2 *	8/2007	Chong et al.	353/85
D612,362	S *	3/2010	Yeo et al.	D14/203.7
D626,936	S *	11/2010	Yeo et al.	D14/203.7
D639,773	S *	6/2011	Kang	D14/203.7
D643,401	S *	8/2011	Chen et al.	D14/203.7

* cited by examiner

Primary Examiner — Prabhakar Deshmukh

(74) *Attorney, Agent, or Firm* — NSIP Law

(57) **CLAIM**

The ornamental design for a MP3 player, as shown and described.

DESCRIPTION

FIG. 1 is a perspective view of the MP3 player;
FIG. 2 is a front view of the MP3 player of FIG. 1;
FIG. 3 is a rear view of the MP3 player of FIG. 1;
FIG. 4 is a left-side view of the MP3 player of FIG. 1;
FIG. 5 is a right-side view of the MP3 player of FIG. 1;
FIG. 6 is a top plan view of the MP3 player of FIG. 1; and,
FIG. 7 is a bottom plan view of the MP3 player of FIG. 1.

1 Claim, 5 Drawing Sheets

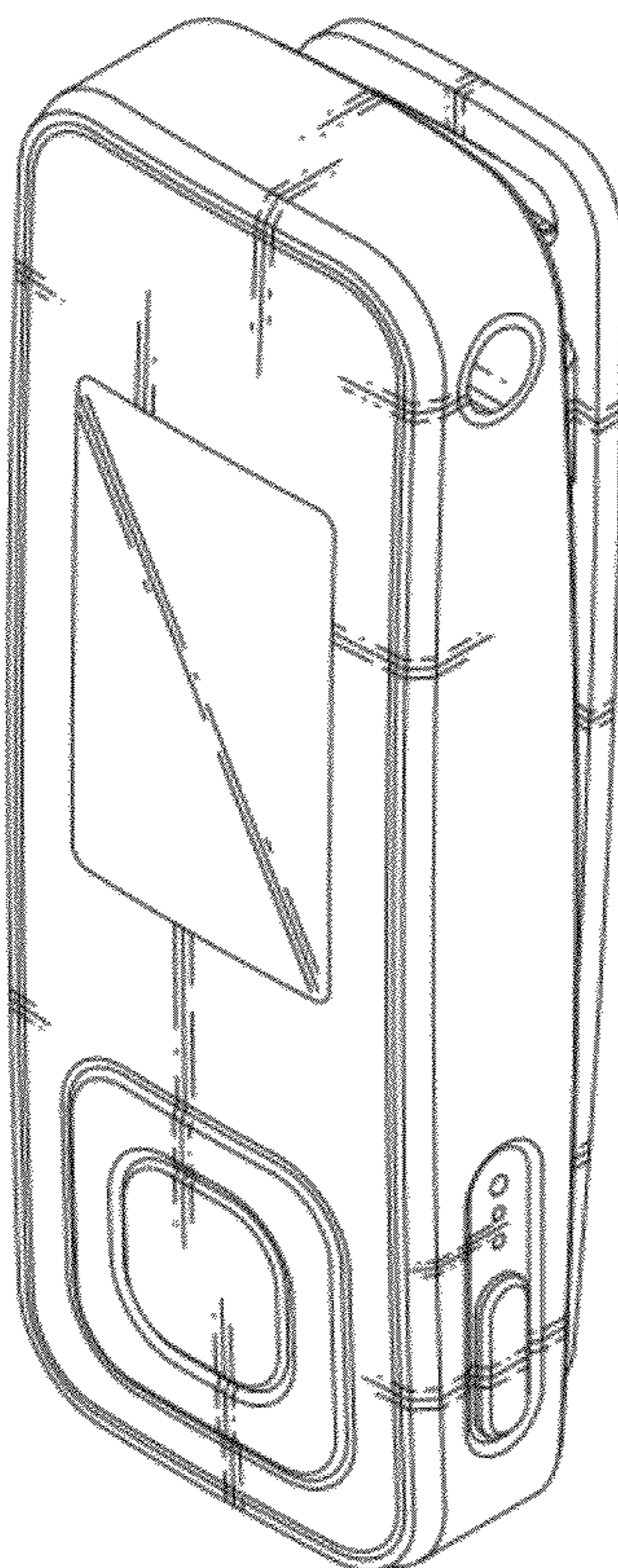


FIG. 1

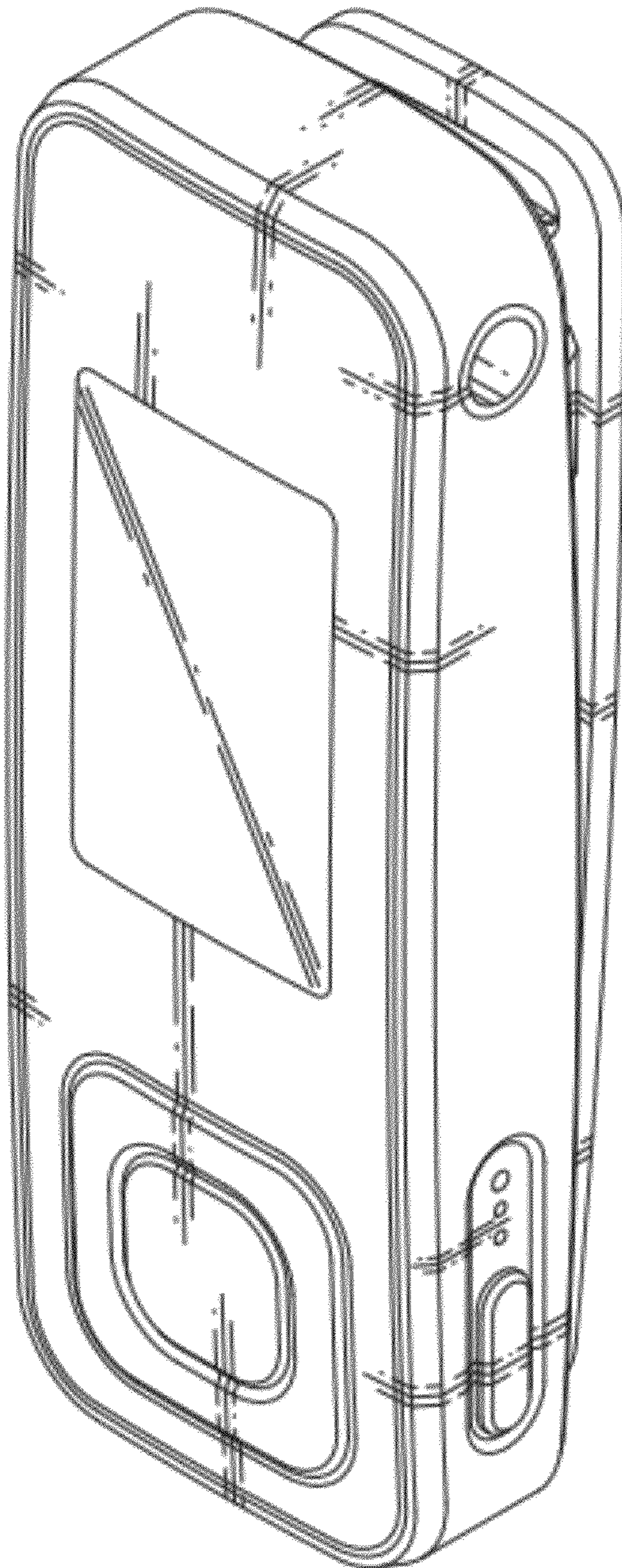


FIG. 2

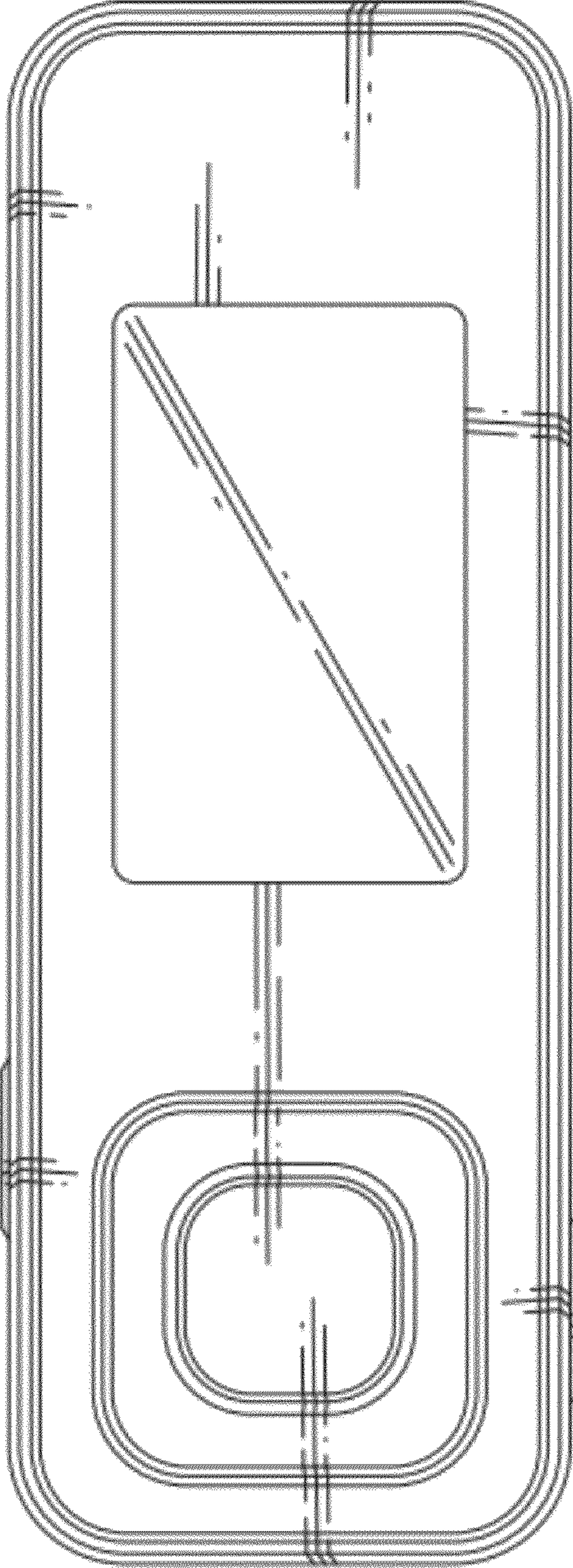


FIG. 3

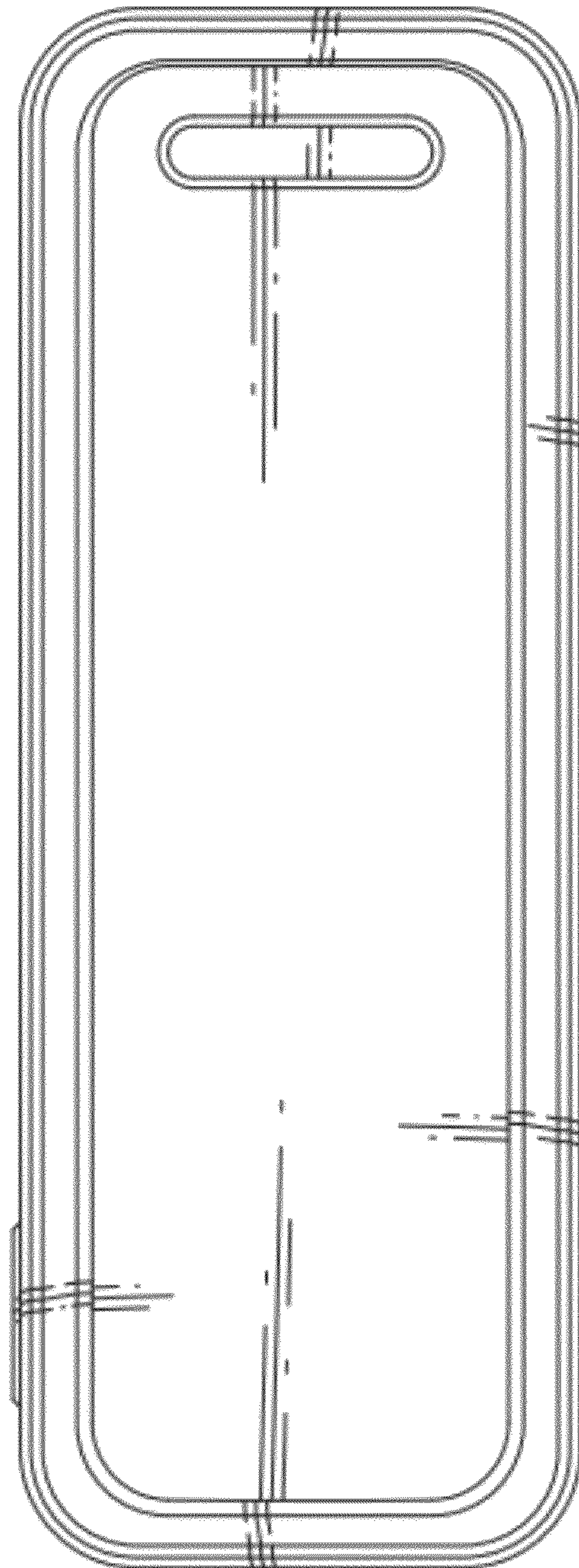


FIG. 4

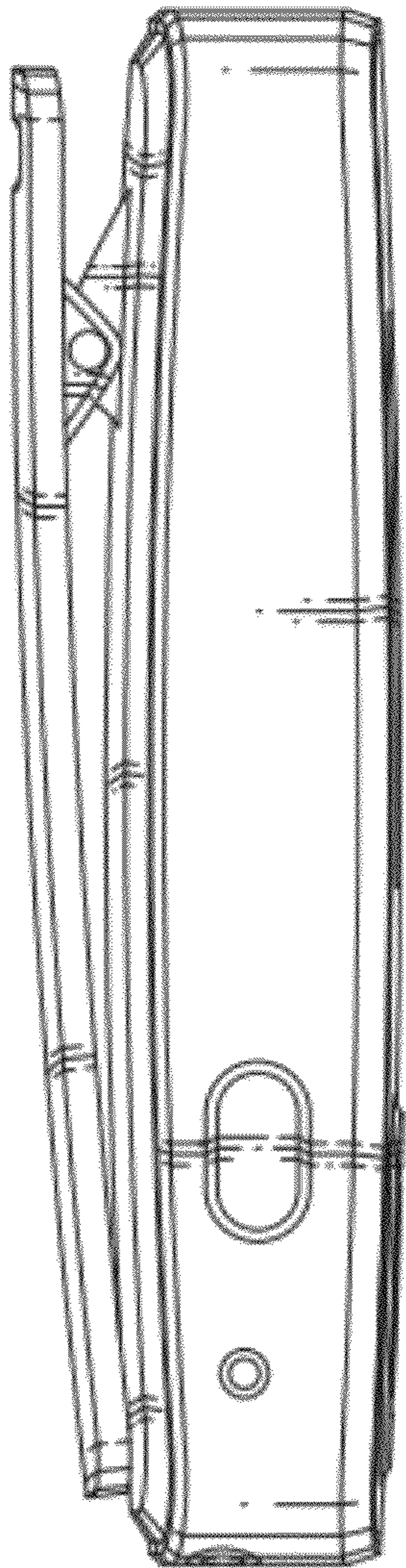


FIG. 5

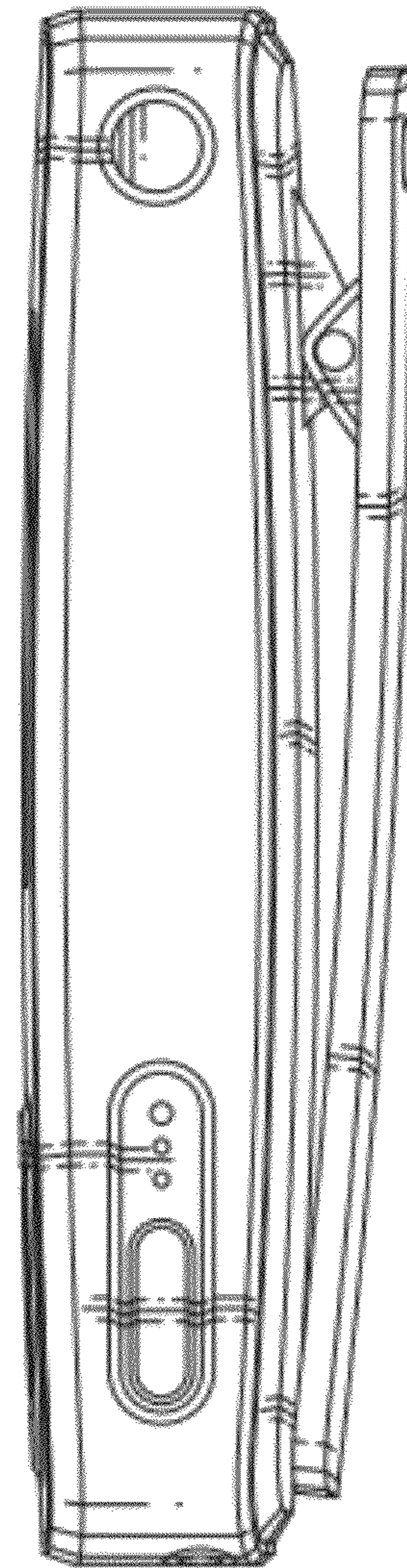


FIG. 6

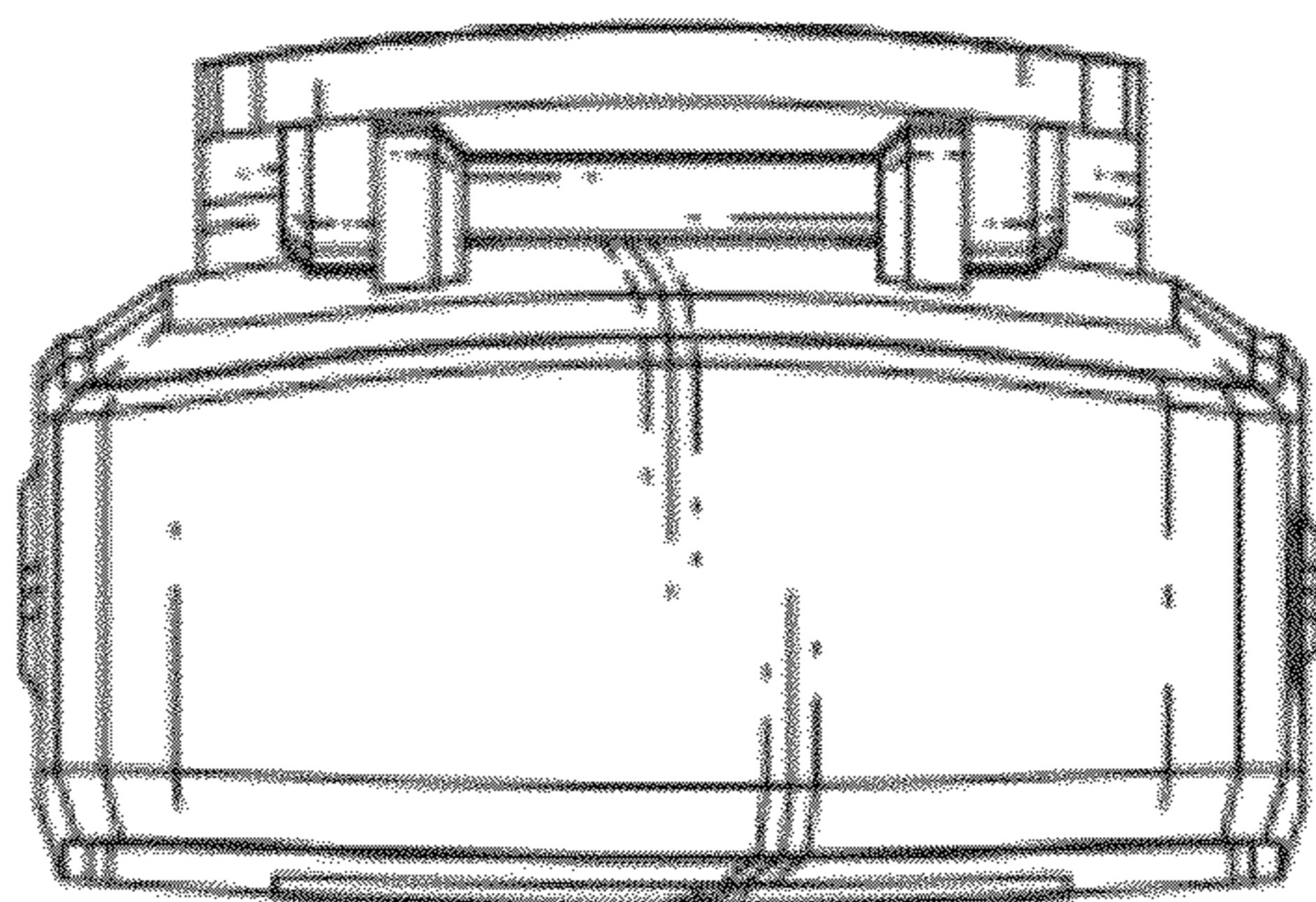


FIG. 7

