



US00D662480S

(12) **United States Design Patent**
Daniel

(10) **Patent No.:** **US D662,480 S**
(45) **Date of Patent:** **** Jun. 26, 2012**

(54) **CABLE BOX DEVICE INCLUDING A TOUCH SCREEN DISPLAY WITH A RETRACTABLE COVER**

(76) Inventor: **Isaac S. Daniel**, Miramar, FL (US)

(**) Term: **14 Years**

(21) Appl. No.: **29/407,693**

(22) Filed: **Dec. 1, 2011**

(51) **LOC (9) Cl.** **14-03**

(52) **U.S. Cl.** **D14/125**

(58) **Field of Classification Search** D14/125,
D14/357-358, 496, 188, 242, 432; D13/184;
348/10, 460, 706, 731; 340/825.03; 455/6.1,
455/6.2; 312/223.1, 7.2

See application file for complete search history.

(56) **References Cited**

U.S. PATENT DOCUMENTS

5,598,318	A *	1/1997	Dewitt et al.	361/679.57
D534,182	S *	12/2006	Leija et al.	D14/496
D602,903	S *	10/2009	Tompkin et al.	D14/138 AC
D638,384	S *	5/2011	Ishibashi	D14/125
D646,240	S *	10/2011	Kim et al.	D14/125
D648,690	S *	11/2011	Snodgrass et al.	D14/125

* cited by examiner

Primary Examiner — Raphael Barkai

Assistant Examiner — Randall Gholson

(74) *Attorney, Agent, or Firm* — Carol N. Green, Esq.

(57) **CLAIM**

The ornamental design for a cable box device including a touch screen display with a retractable cover, as shown and described.

DESCRIPTION

FIG. 1 is a front perspective of the cable box device including a touch screen display with the retractable cover in a closed position.

FIG. 2 is a right side perspective of the cable box device including a touch screen display with the retractable cover in a closed position.

FIG. 3 is a top plan view of the cable box device including a touch screen display with the retractable cover in a closed position.

FIG. 4 is a bottom plan view of the cable box device including a touch screen display with retractable cover.

FIG. 5 is a front view of the cable box device including a touch screen display with retractable cover.

FIG. 6 is a right side view of the cable box device including a touch screen display with retractable cover.

FIG. 7 is a left side view of the cable box device including a touch screen display with retractable cover.

FIG. 8 is a bottom perspective view of the cable box device including a touch screen display with retractable cover.

FIG. 9 is a top perspective of the cable box device including a touch screen display with the retractable cover in a partially open position.

FIG. 10 is a left side view of the cable box device including a touch screen display with the retractable cover in a partially open position.

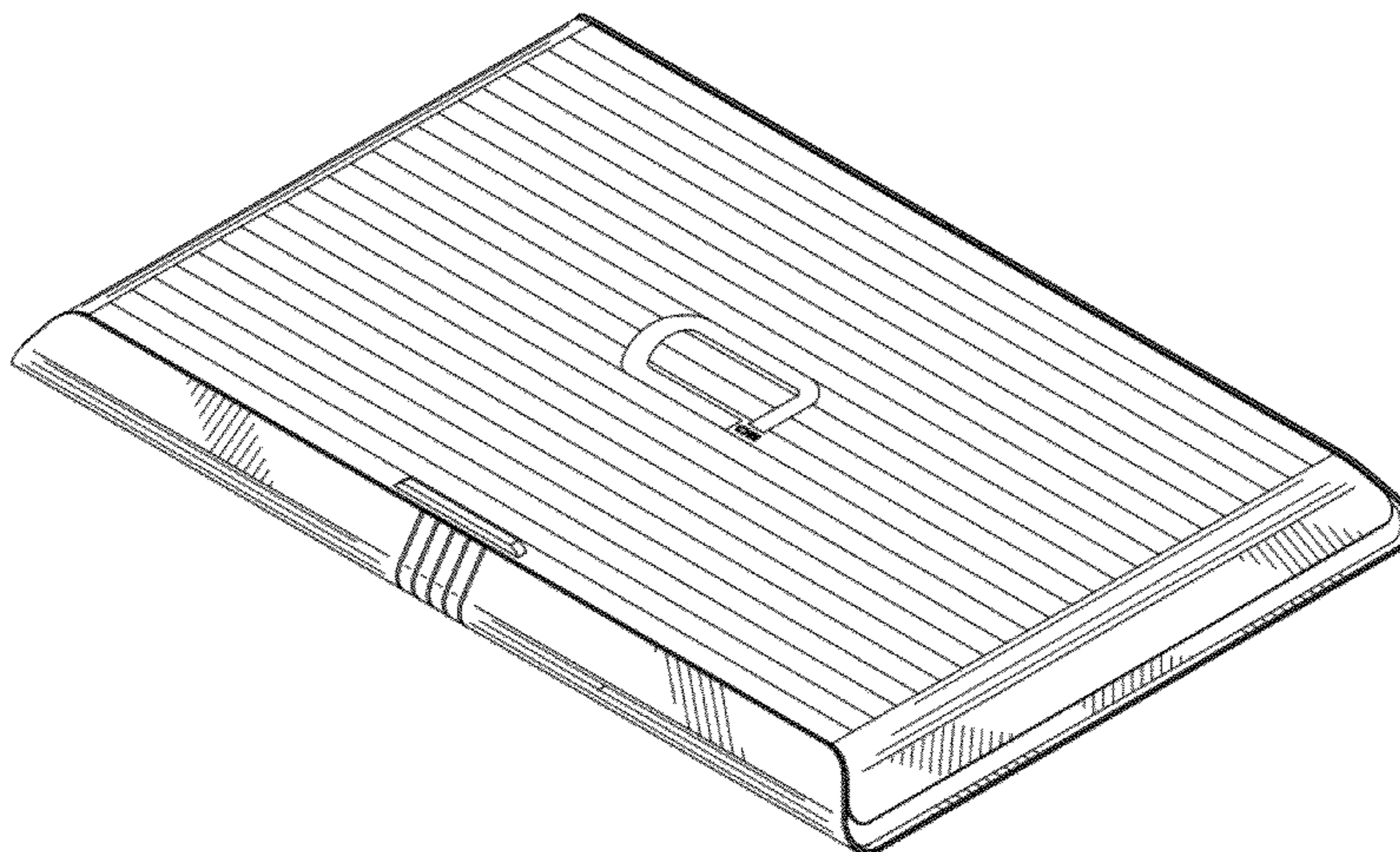
FIG. 11 is a top plan view of the cable box device including a touch screen display with the retractable cover in a partially open position.

FIG. 12 is a top perspective view of the cable box device including a touch screen display with the retractable cover in a fully retracted position.

FIG. 13 is a right side view of the cable box device including a touch screen display with the retractable cover in a fully retracted position; and,

FIG. 14 is a top plan view of the cable box device including a touch screen display with the retractable cover in a fully retracted position.

1 Claim, 12 Drawing Sheets



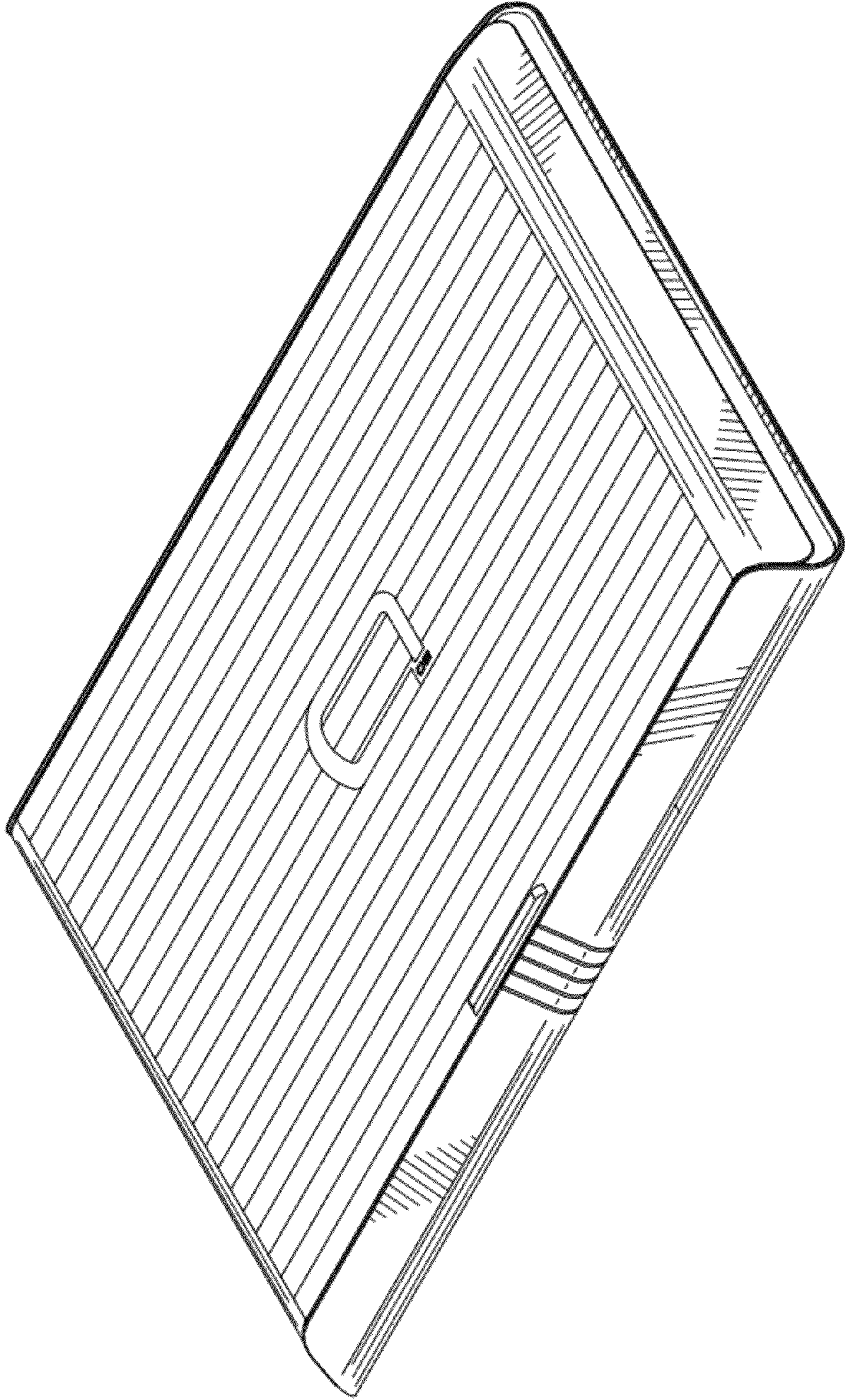


FIG. 1

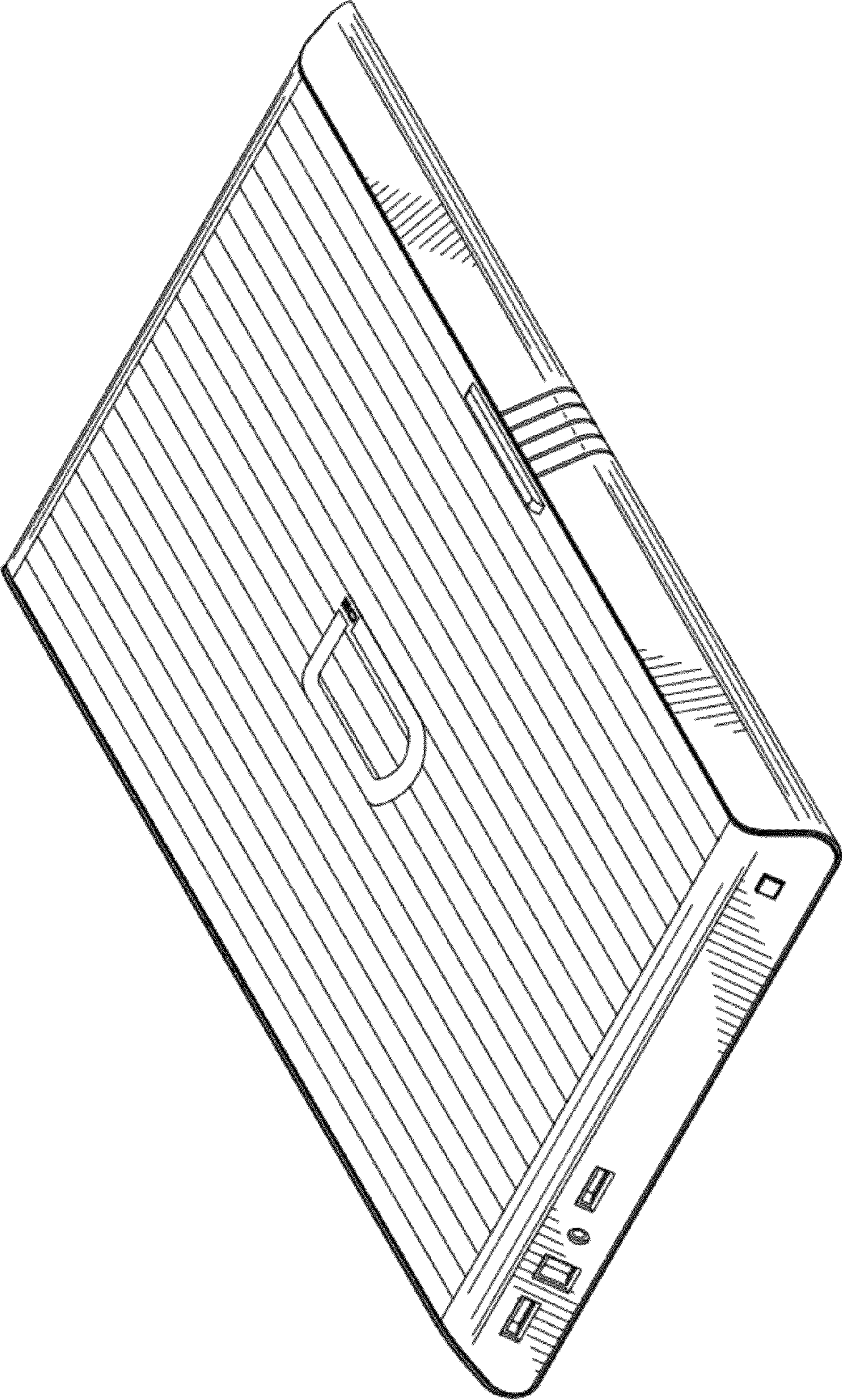


FIG. 2

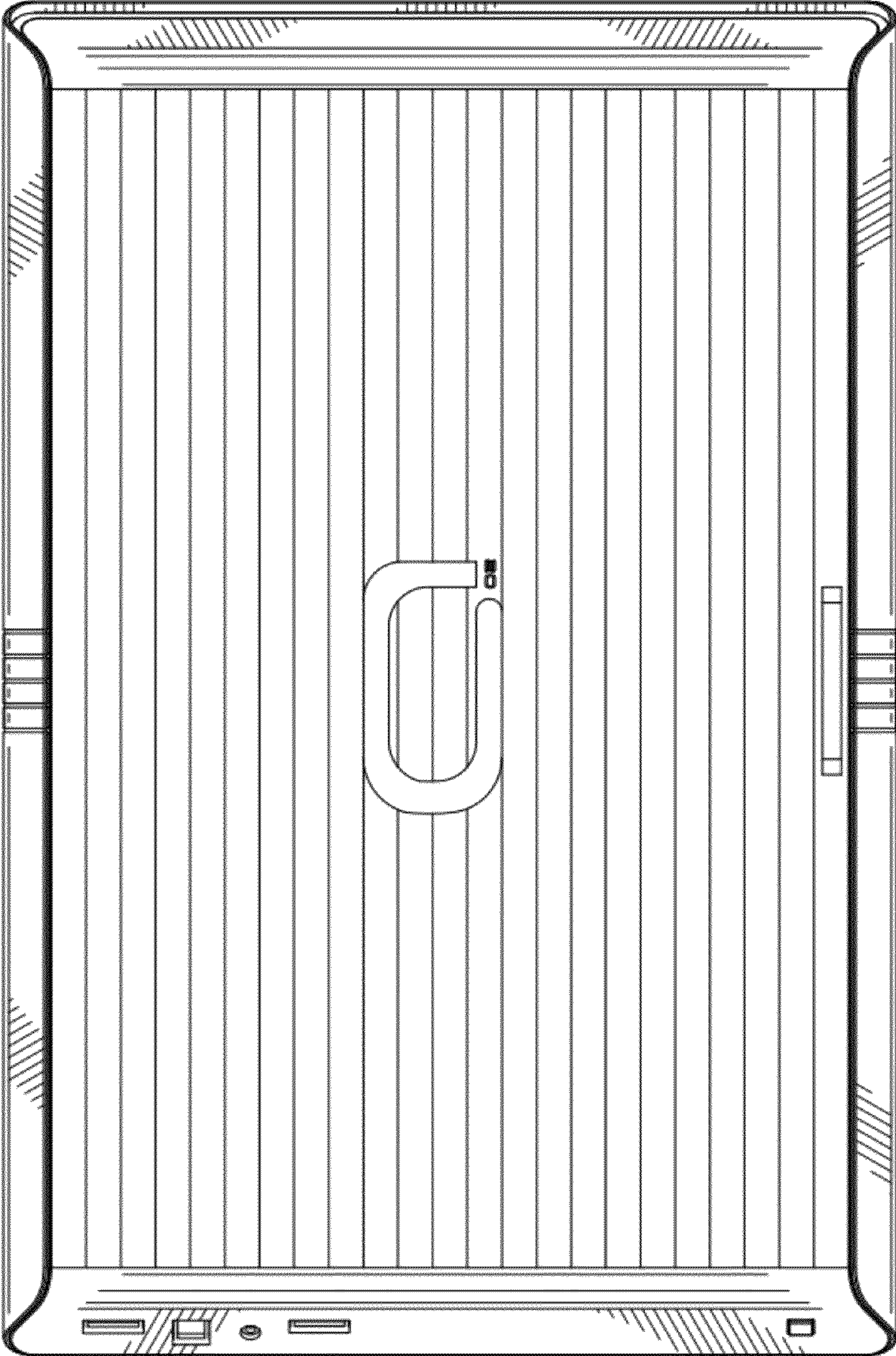


FIG. 3

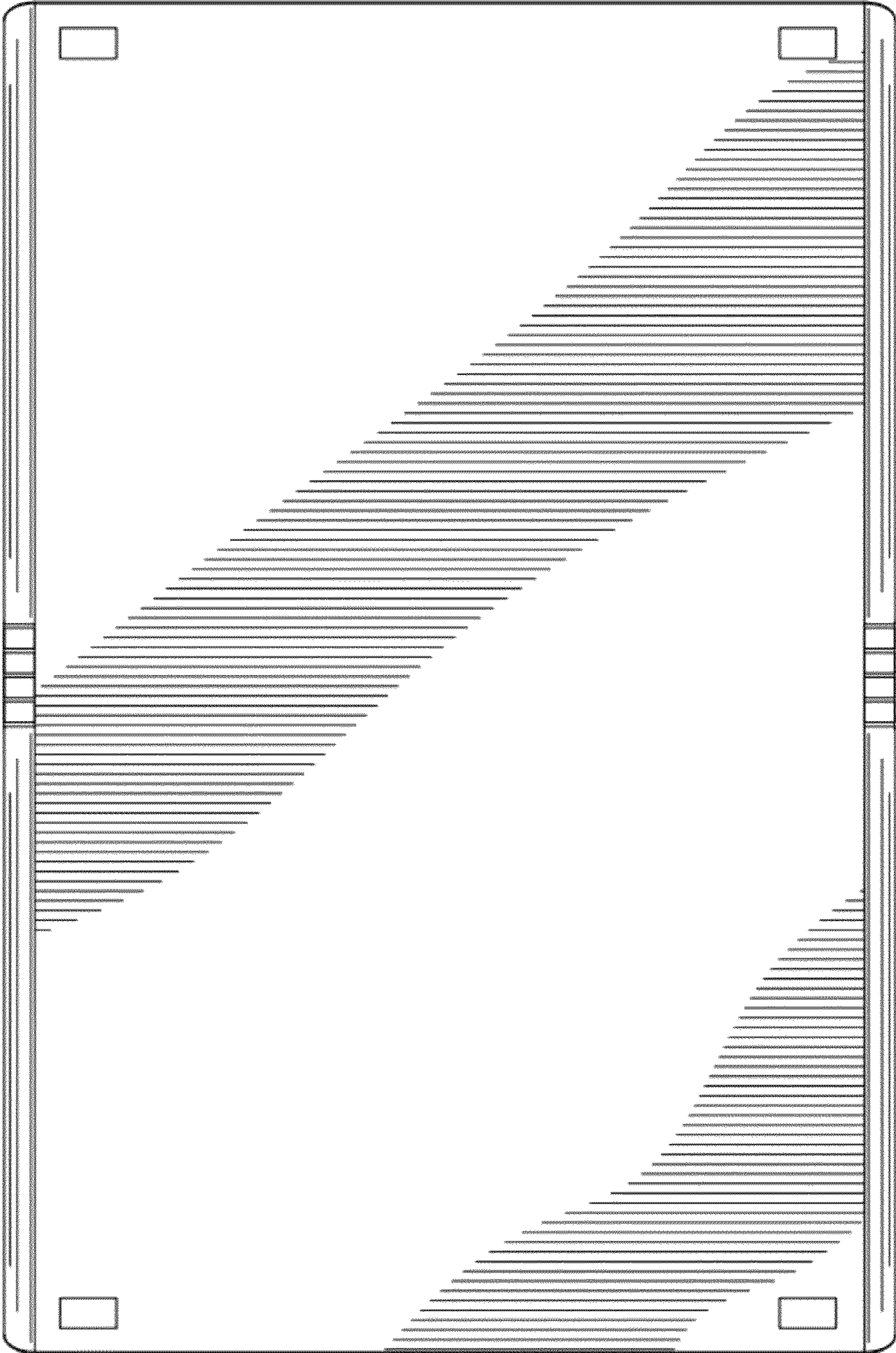


FIG. 4

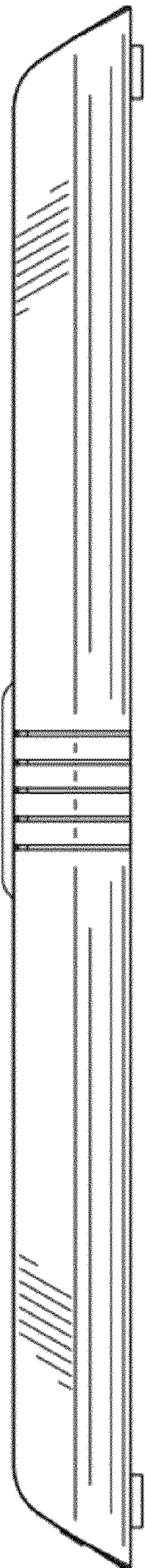


FIG. 5

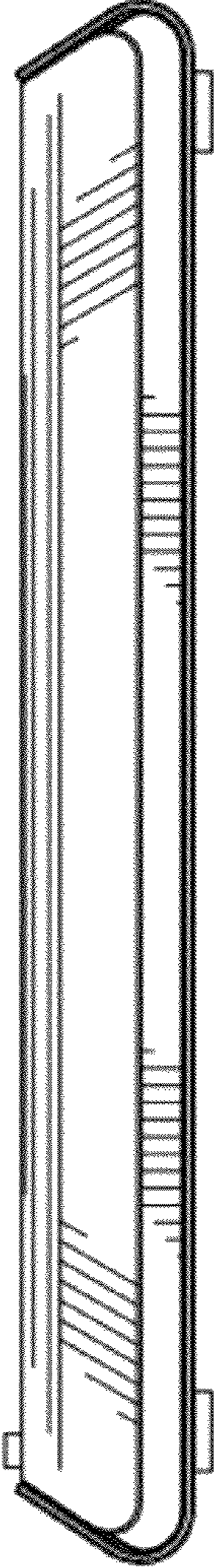


FIG. 6

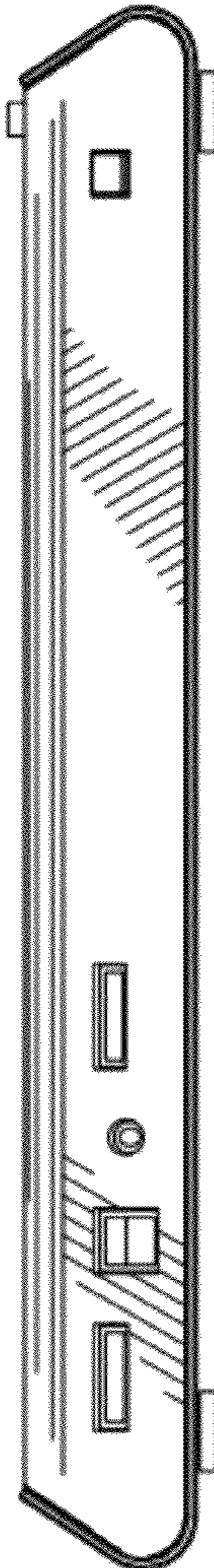


FIG. 7

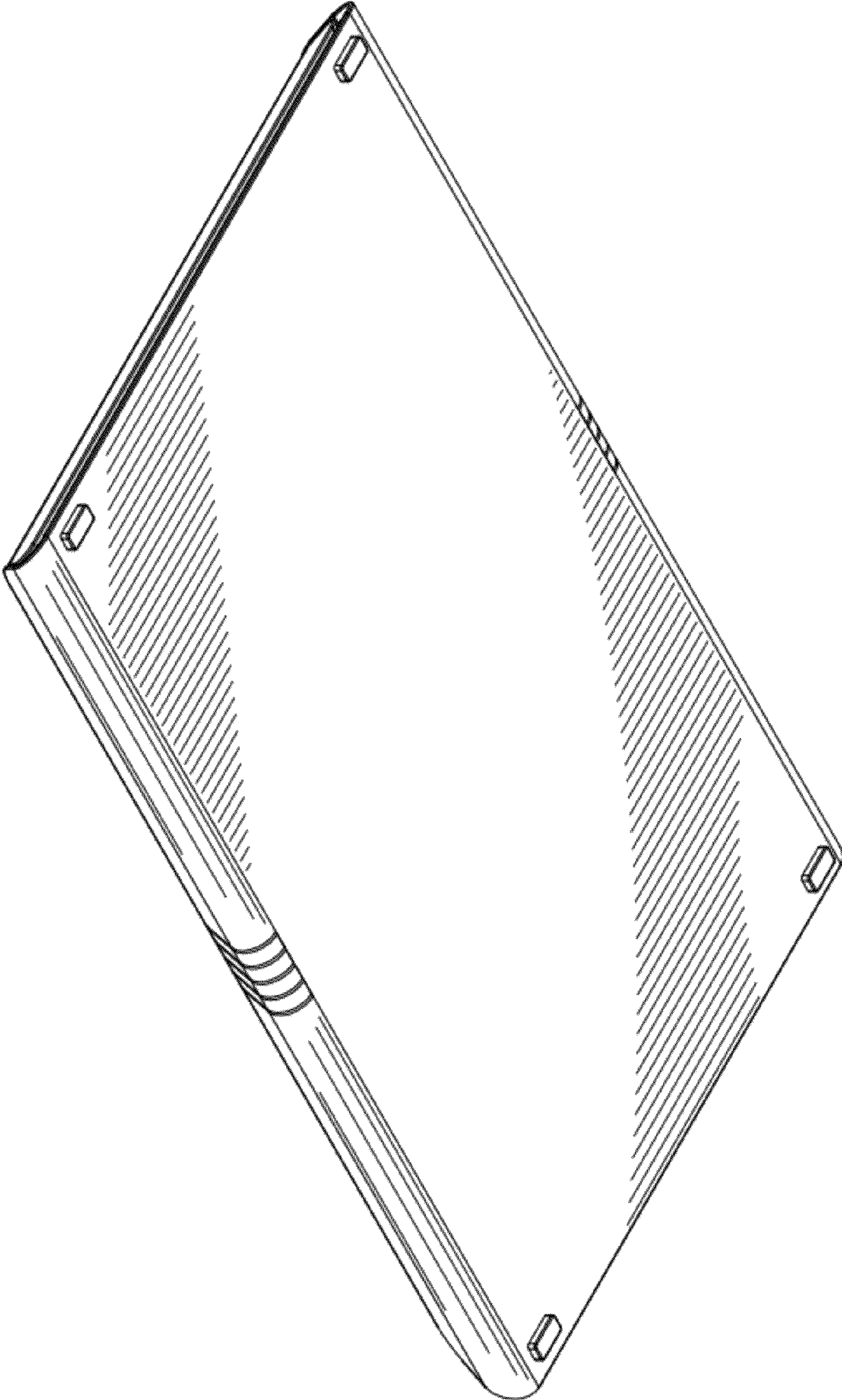


FIG. 8

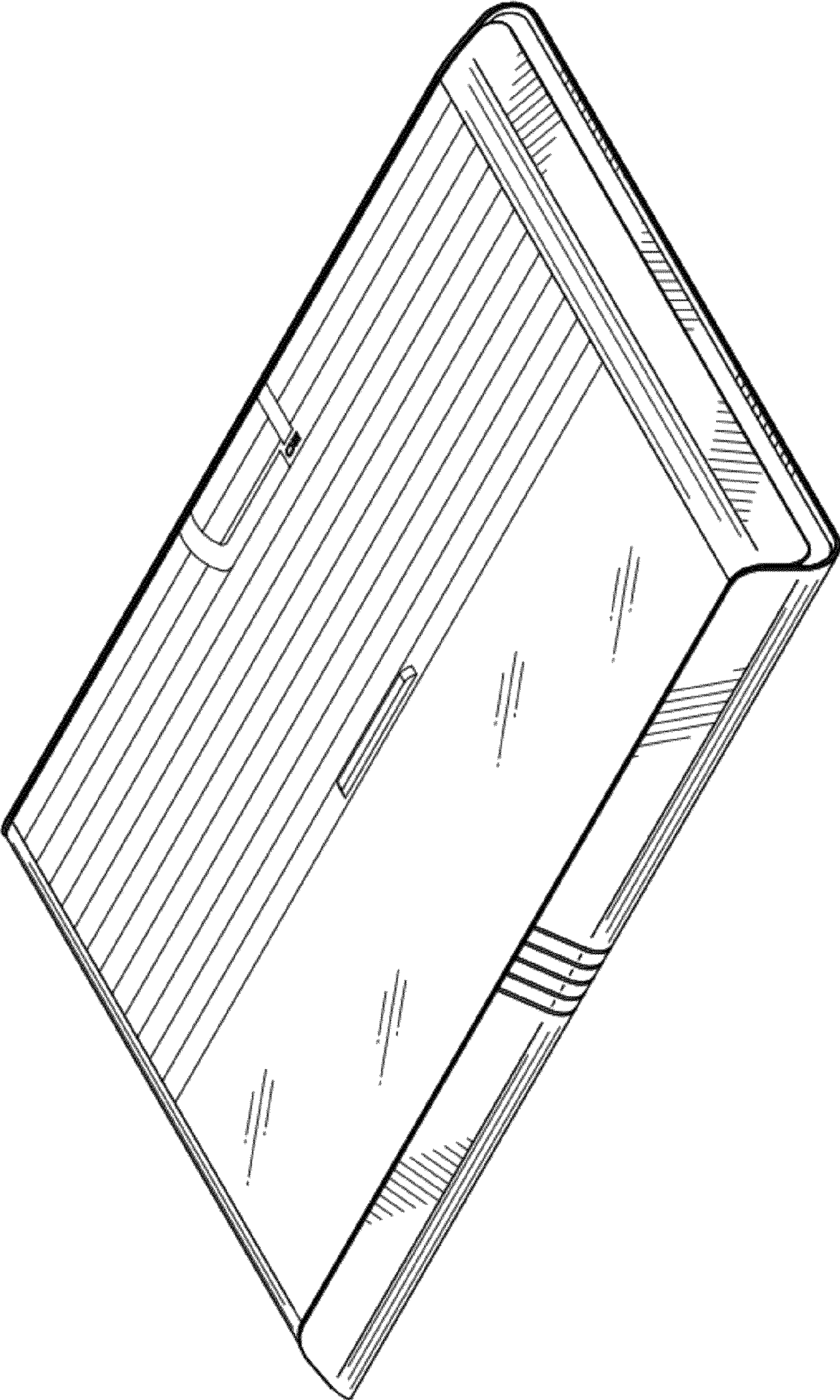


FIG. 9

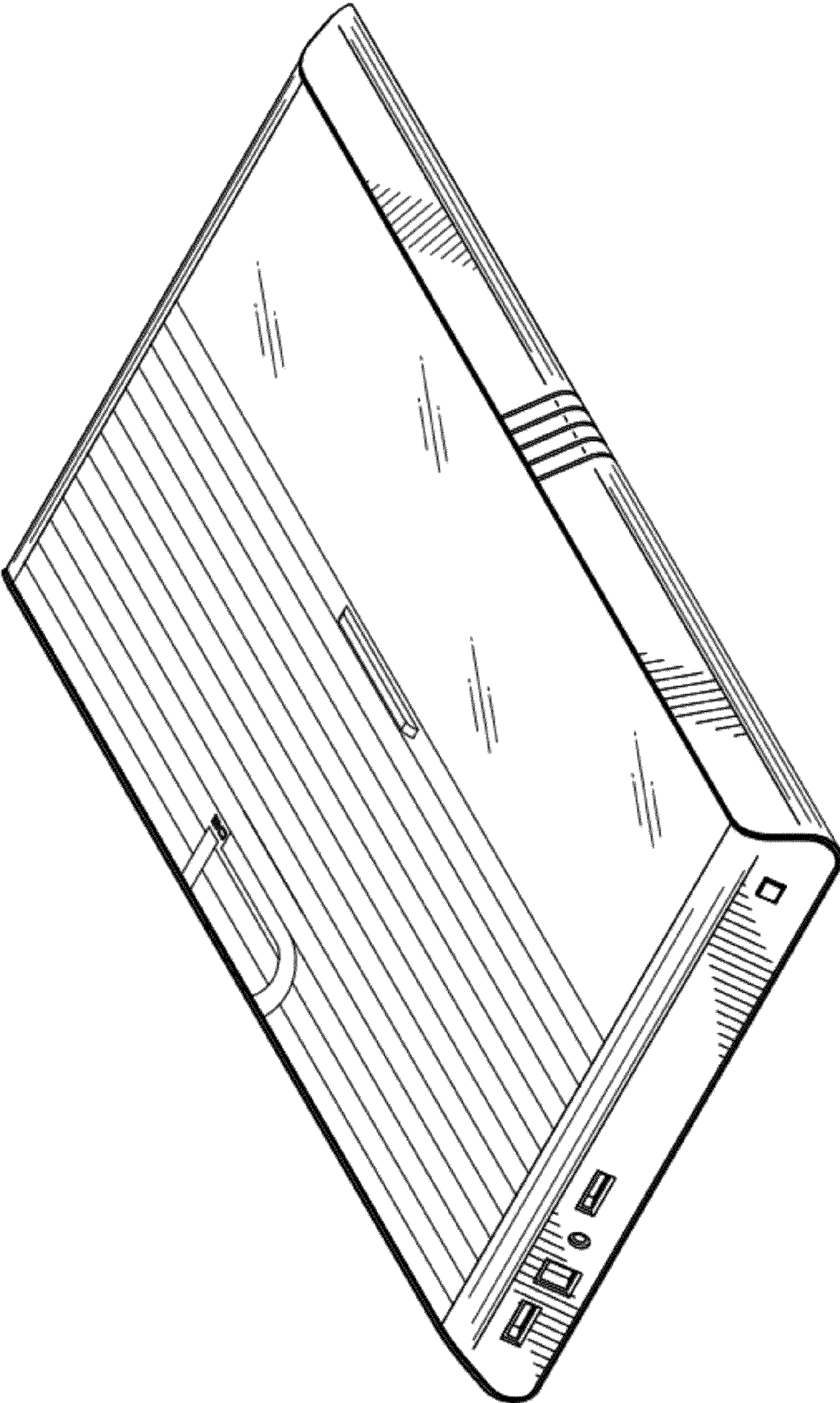


FIG. 10

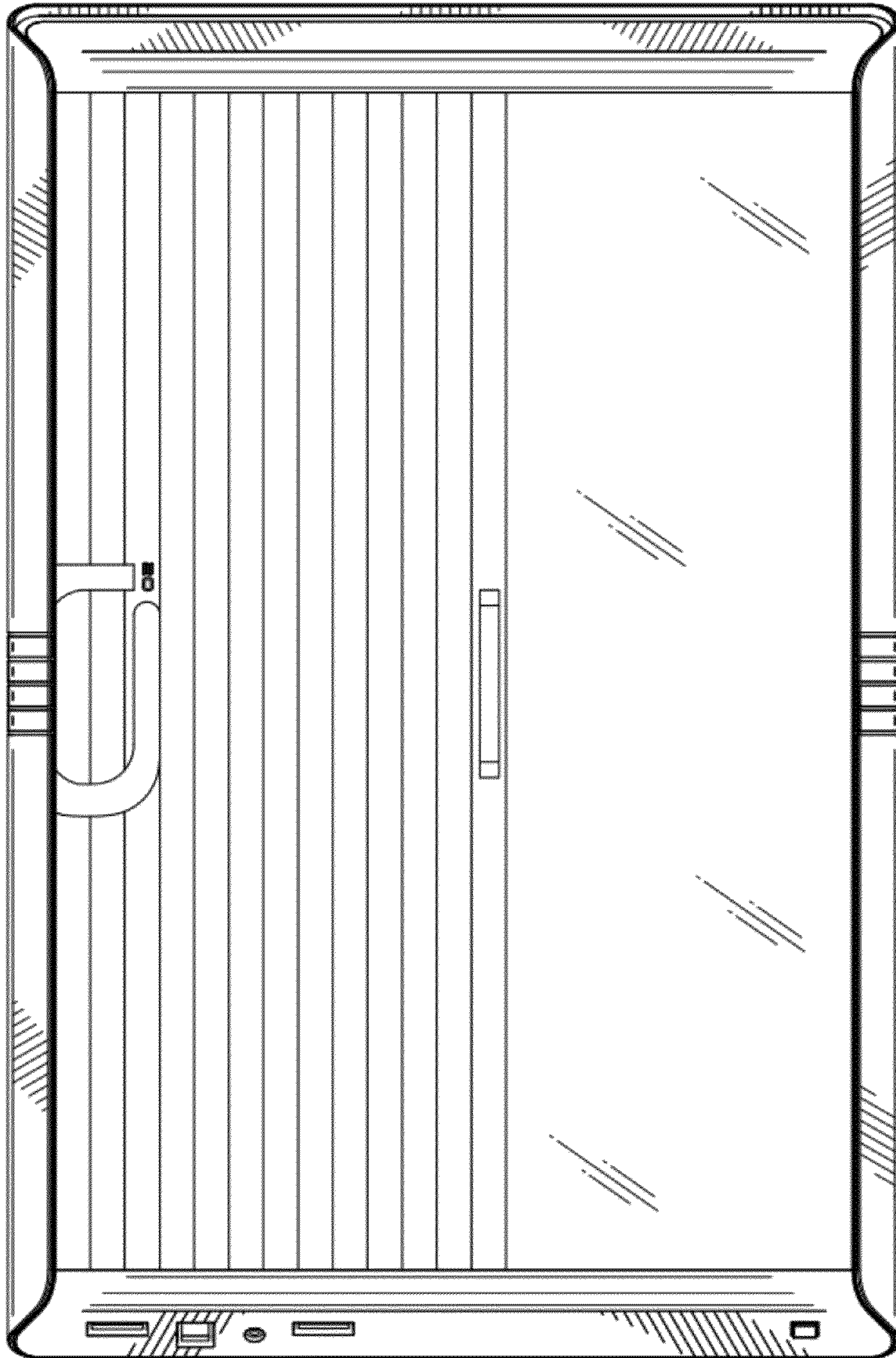


FIG. 11

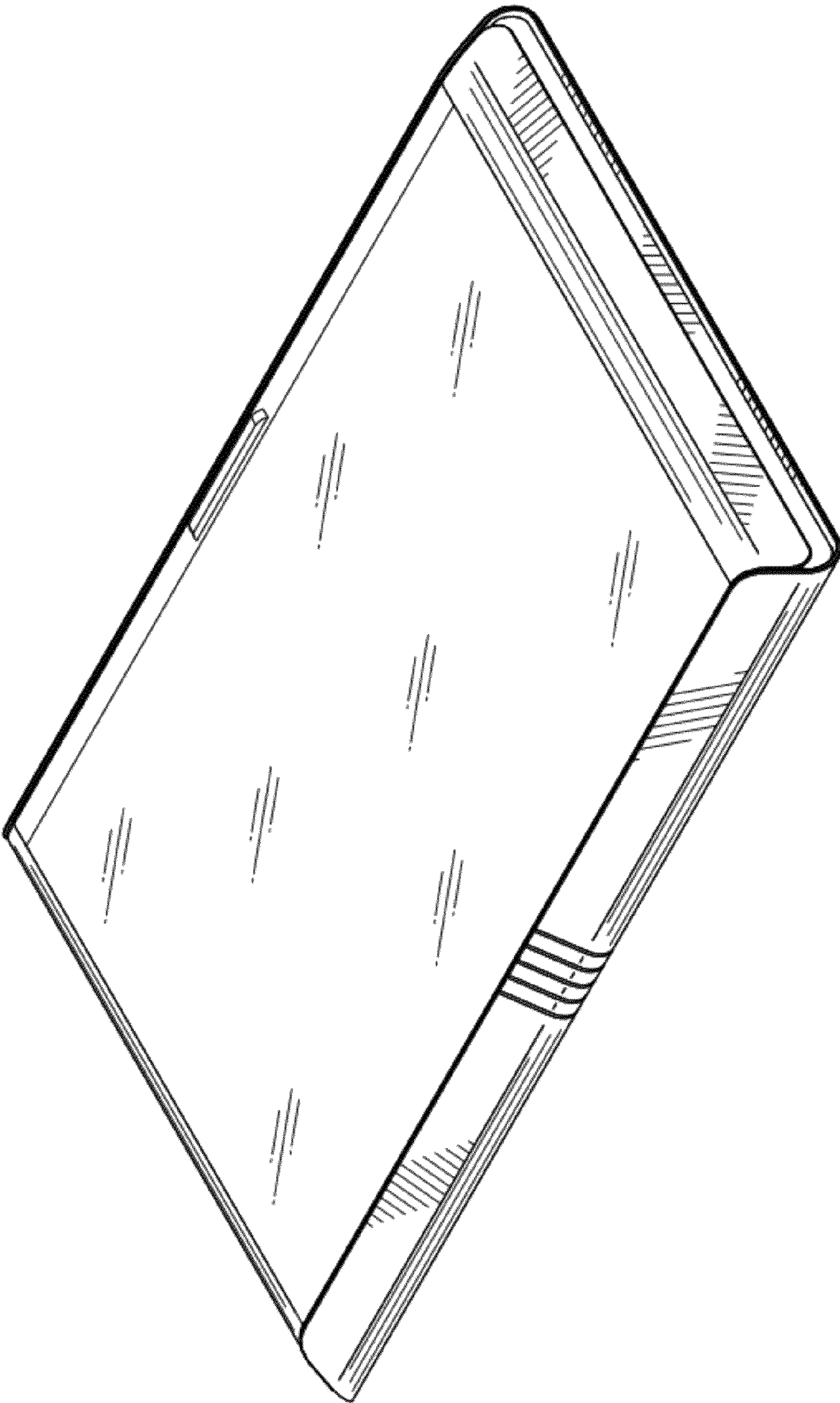


FIG. 12

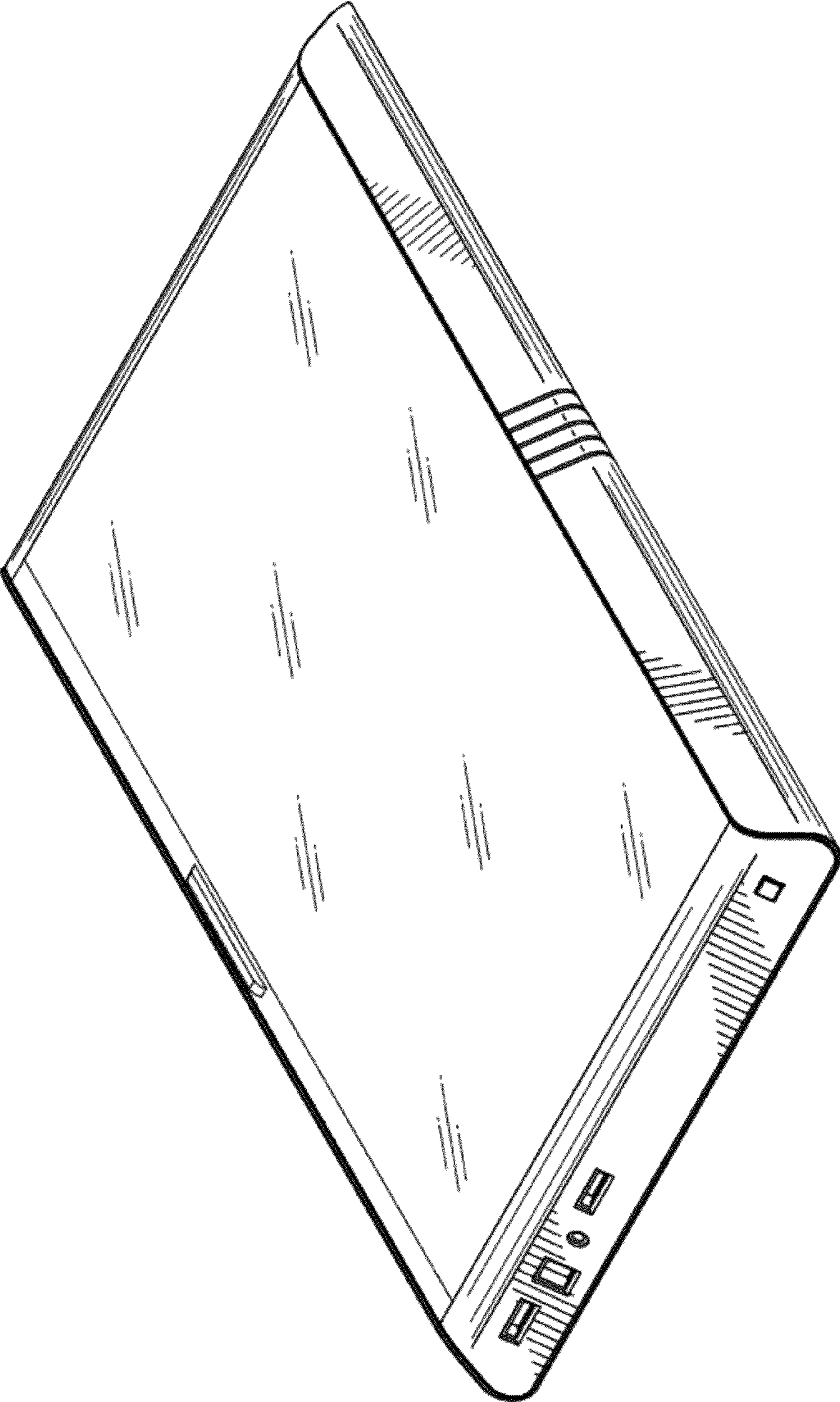


FIG. 13

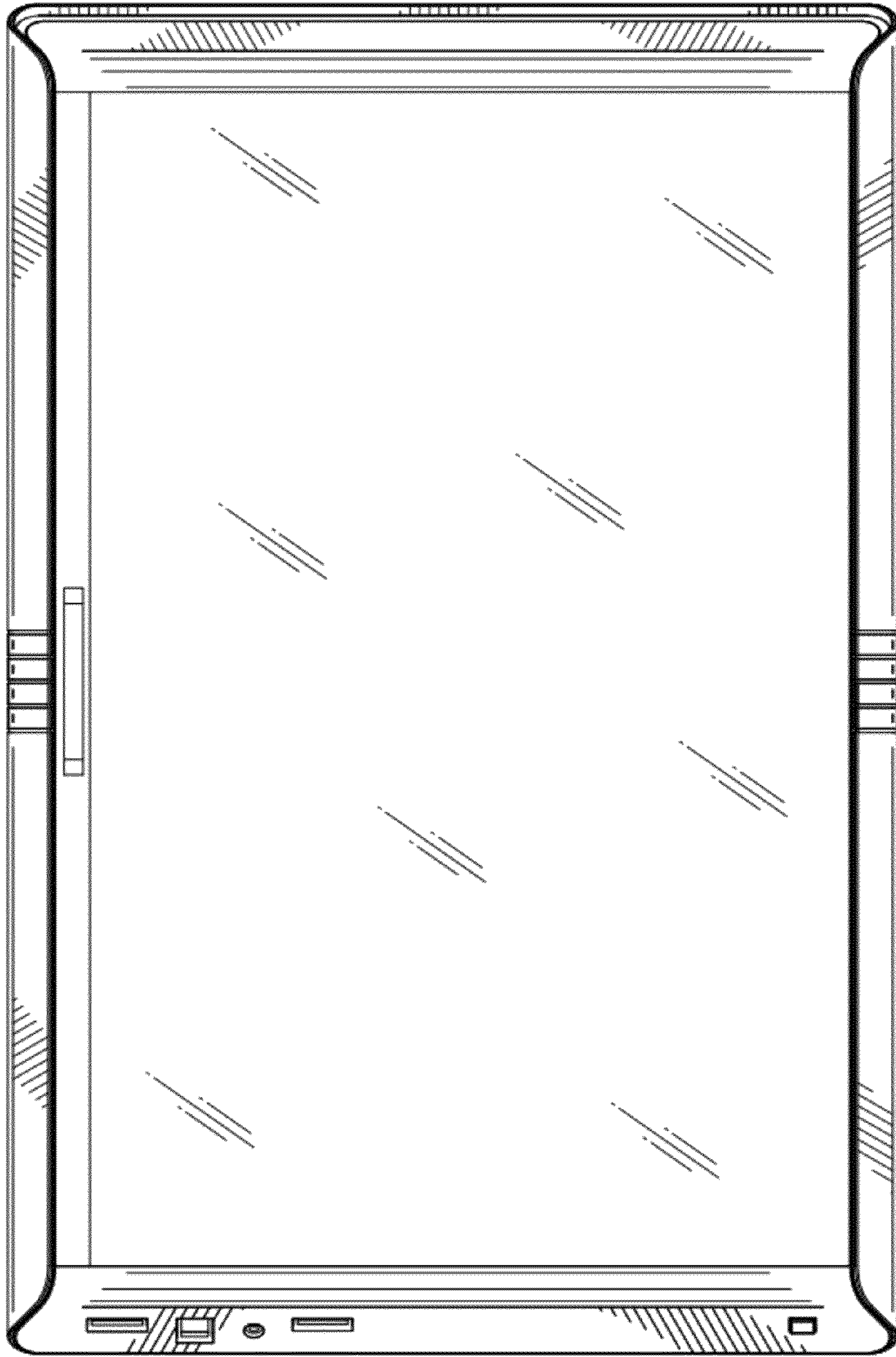


FIG. 14