



US00D662478S

(12) **United States Design Patent**
Rantala et al.

(10) **Patent No.:** **US D662,478 S**
(45) **Date of Patent:** **** Jun. 26, 2012**

(54) **JOYSTICK**

(75) Inventors: **Kimmo Rantala**, Hyvinkaa (FI); **Jaakko Haggren**, Helsinki (FI); **Johannes Tarkiainen**, Hyvinkaa (FI)

(73) Assignee: **Konecranes Plc** (FI)

(**) Term: **14 Years**

(21) Appl. No.: **29/394,904**

(22) Filed: **Jun. 22, 2011**

(30) **Foreign Application Priority Data**

Apr. 29, 2011 (WO) 602229201

(51) **LOC (9) Cl.** **14-03**

(52) **U.S. Cl.** **D13/168**

(58) **Field of Classification Search** D13/168;
D14/412, 413, 416; D21/324; 200/6 A;
315/158, 295; 340/4.3, 4.42, 12.22, 12.23,
340/12.24, 12.29, 12.3, 13.2, 13.21, 13.24;
341/176; 345/161; 436/36, 39; 700/17,
700/65, 83

See application file for complete search history.

(56) **References Cited**

U.S. PATENT DOCUMENTS

D252,567 S * 8/1979 Harbage et al. D13/168
D272,339 S * 1/1984 Penland et al. D13/168
4,739,128 A * 4/1988 Grisham 200/6 A

D317,950 S * 7/1991 Tse D14/413
5,670,988 A * 9/1997 Tickle 345/157
D473,942 S * 4/2003 Motoki et al. D24/137
D552,562 S * 10/2007 Yamamoto et al. D13/168
D570,792 S * 6/2008 Leung D13/168
D594,066 S * 6/2009 Oikawa et al. D21/333
7,681,340 B2 * 3/2010 Treuthardt 37/348
D626,517 S * 11/2010 Yano D13/168

* cited by examiner

Primary Examiner — Selina Sikder

(74) *Attorney, Agent, or Firm* — Holland & Hart LLP

(57) **CLAIM**

The ornamental design for a joystick, as shown and described.

DESCRIPTION

FIG. 1 is a front perspective view of the joystick, showing our new design;

FIG. 2 is a rear perspective view of the design illustrated in FIG. 1;

FIG. 3 is a front elevation view of the design illustrated in FIG. 1;

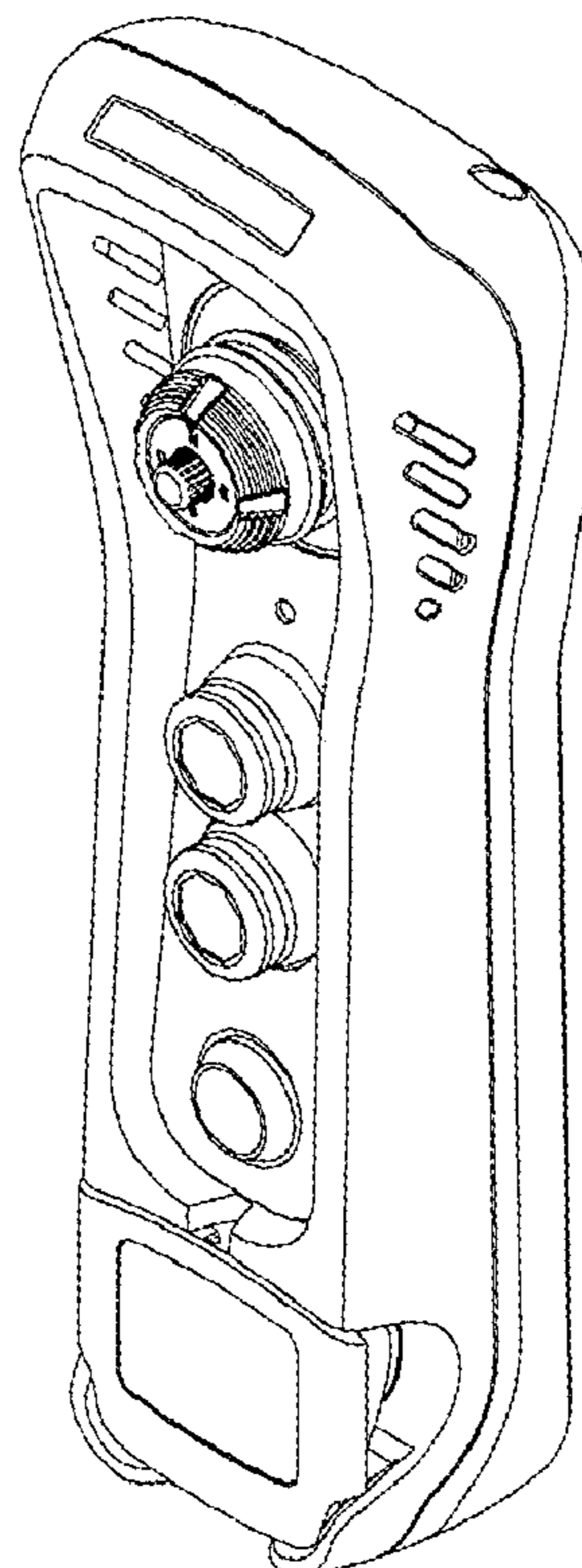
FIG. 4 is a right side elevation view of the design illustrated in FIG. 1, the left side elevation view being a mirror image thereof;

FIG. 5 is a rear elevation view of the design illustrated in FIG. 1;

FIG. 6 is a top plan view of the design illustrated in FIG. 1; and,

FIG. 7 is a bottom plan view of the design illustrated in FIG. 1.

1 Claim, 6 Drawing Sheets



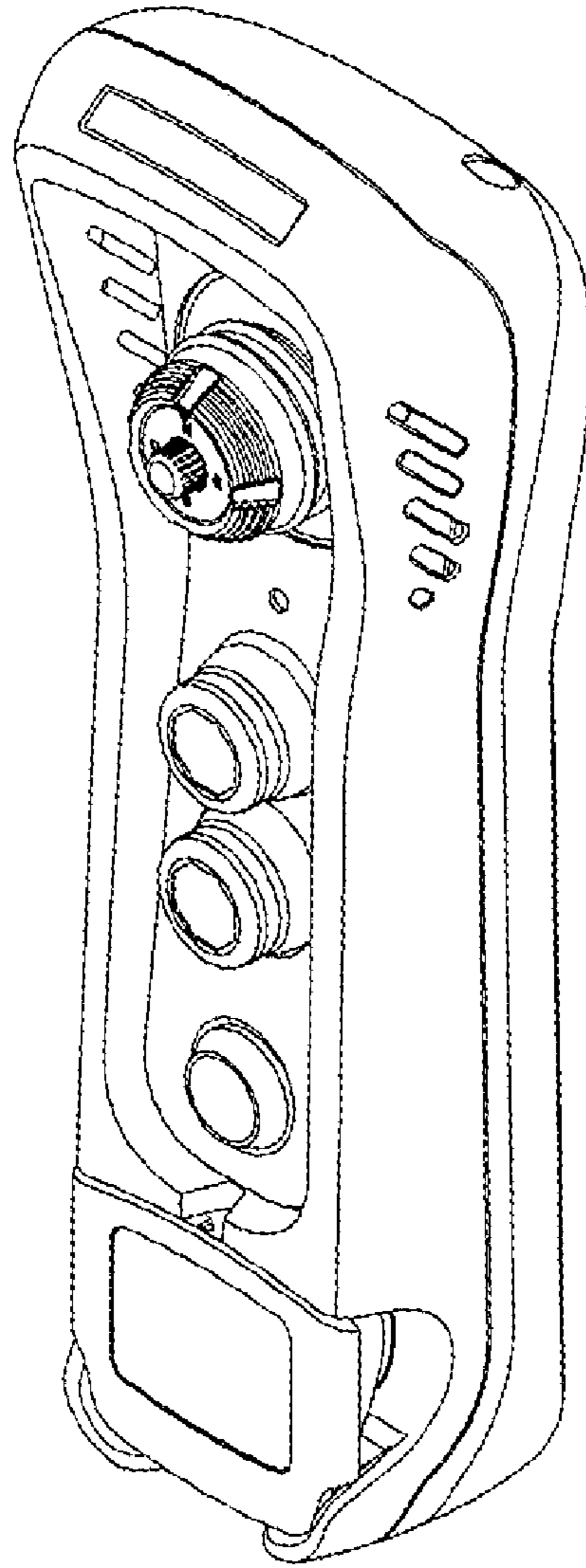


FIG. 1

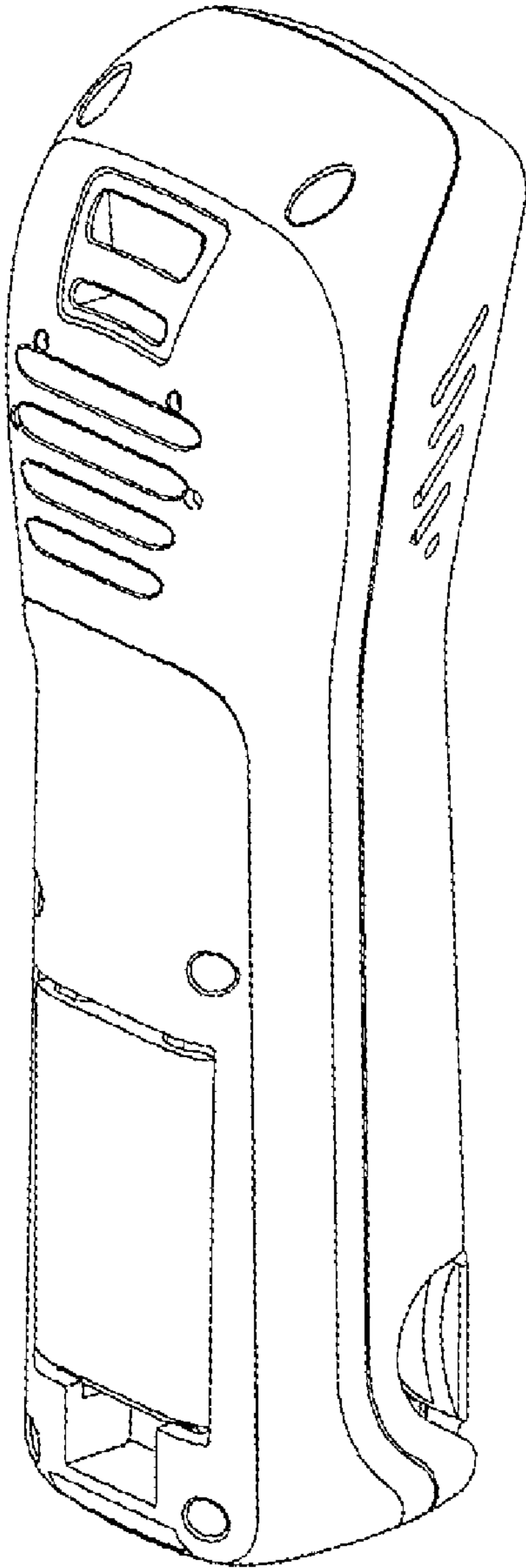


FIG. 2

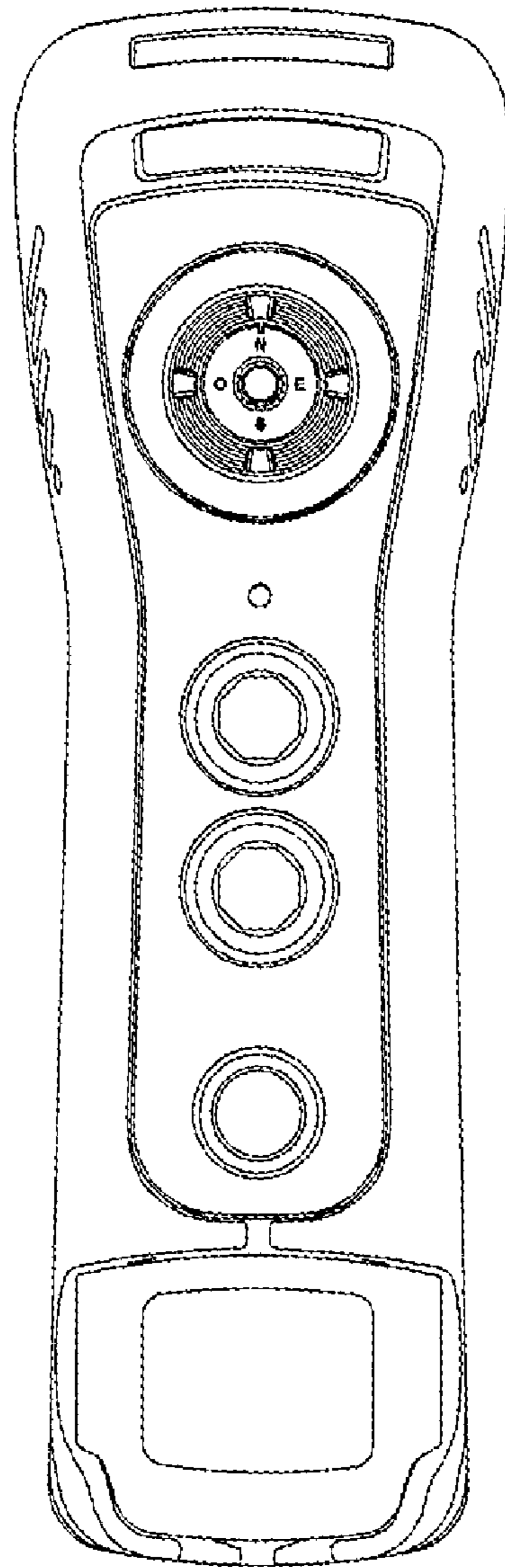


FIG. 3

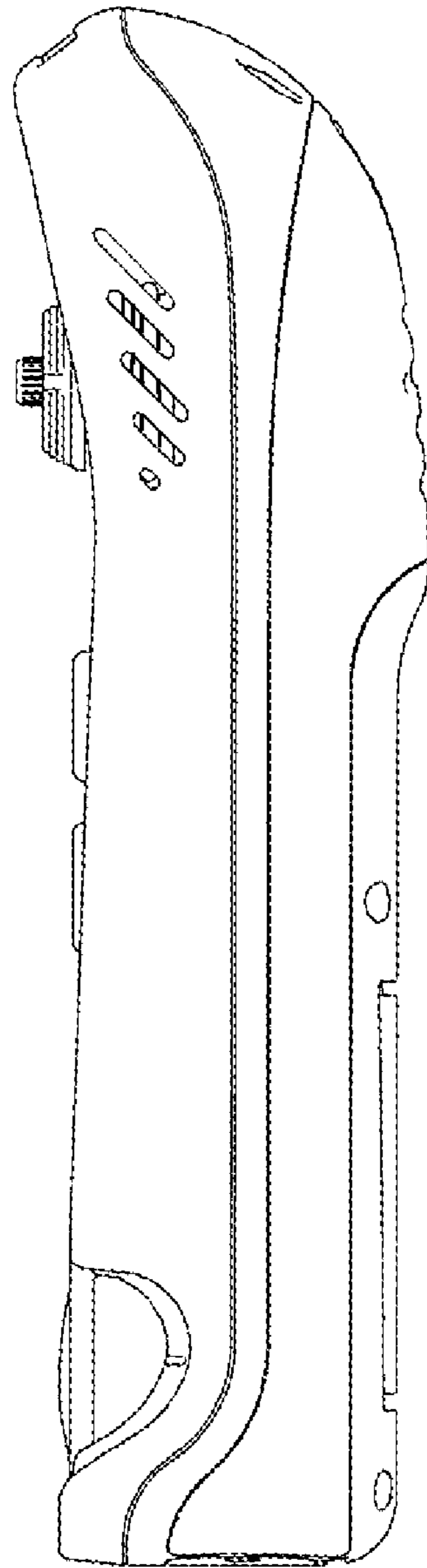


FIG. 4

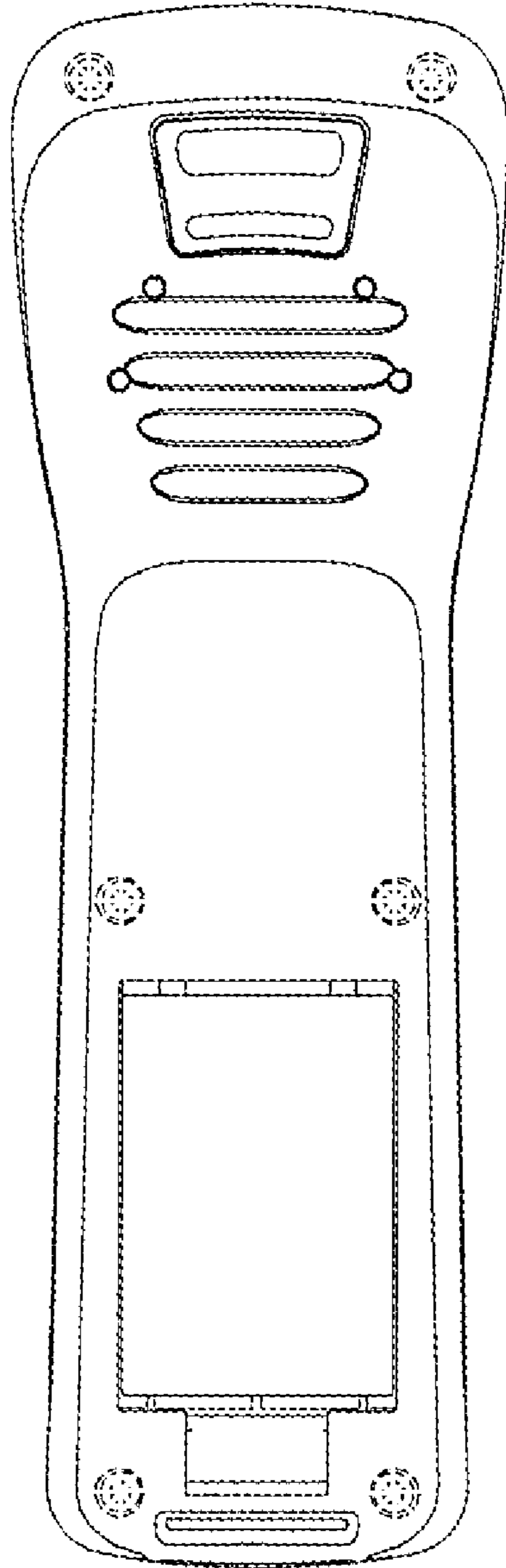


FIG. 5

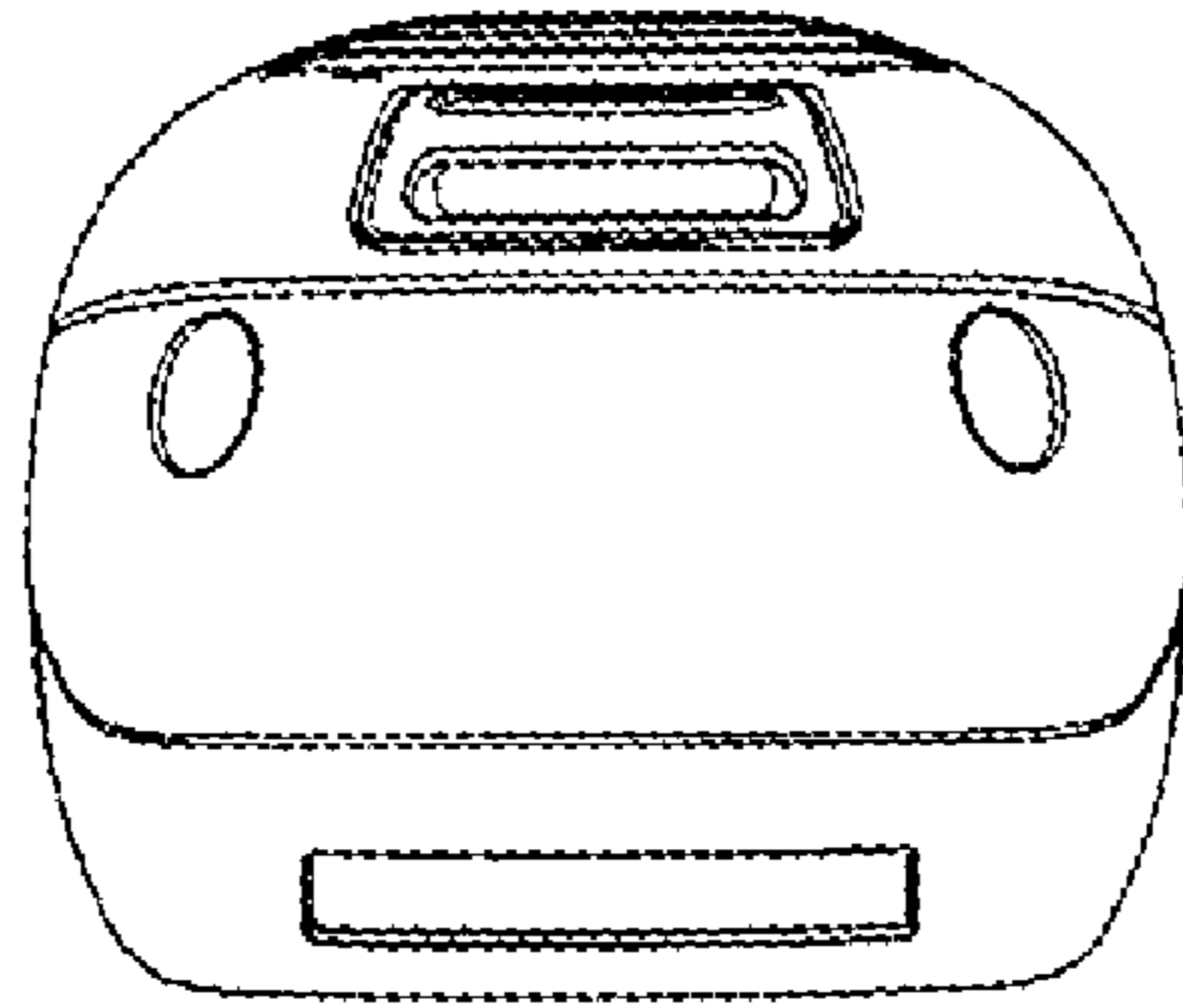


FIG. 6

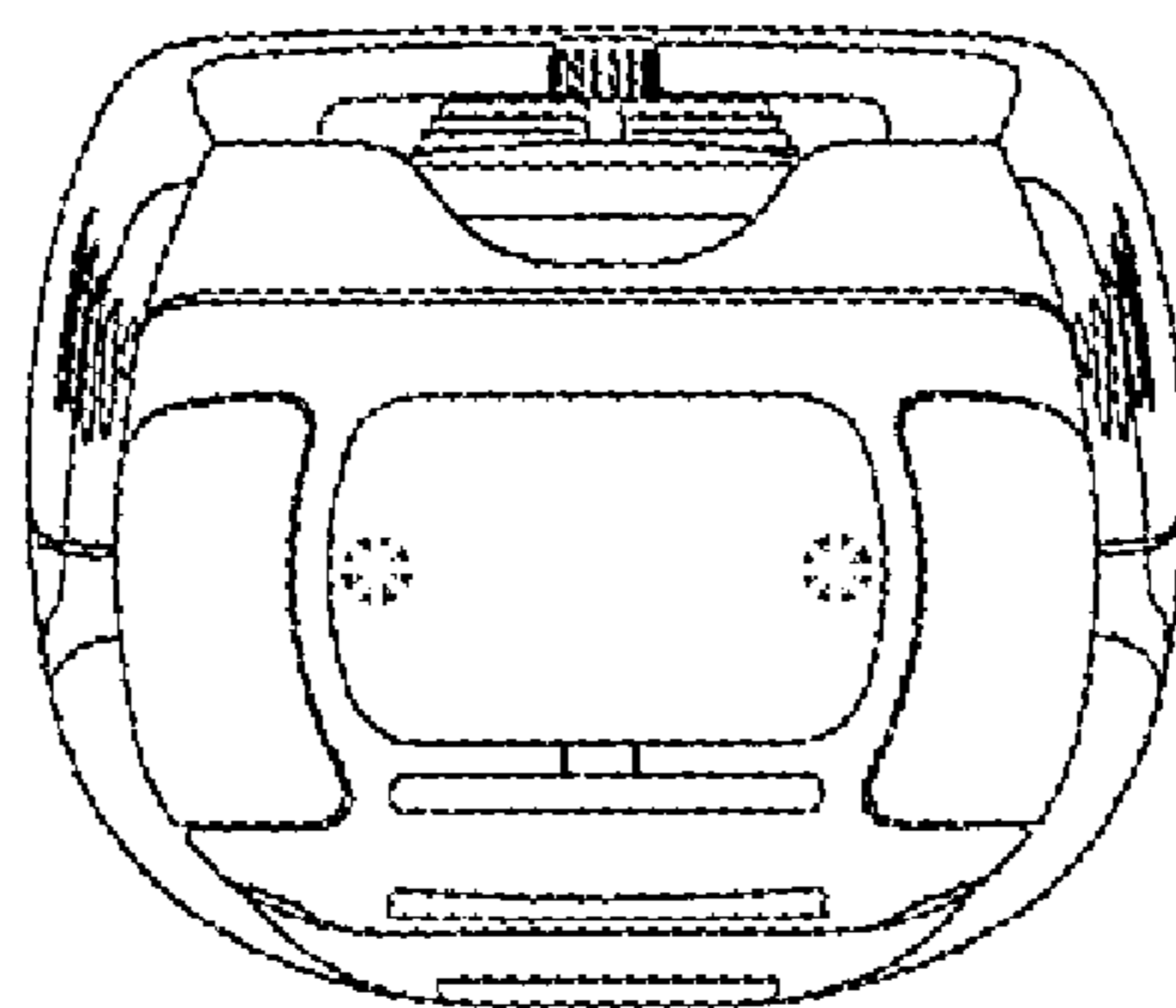


FIG. 7