



US00D662477S

(12) **United States Design Patent**
Hagan et al.

(10) **Patent No.:** **US D662,477 S**
(45) **Date of Patent:** **** Jun. 26, 2012**

(54) **PENDANT SWITCH**

(75) Inventors: **John Todd Hagan**, Roscoe, IL (US);
Derrick Lavell James, Beloit, WI (US);
Ronald G. Axon, Rockton, IL (US)

(73) Assignee: **Textron Innovations Inc.**, Providence,
RI (US)

(**) Term: **14 Years**

(21) Appl. No.: **29/367,119**

(22) Filed: **Aug. 3, 2010**

(51) **LOC (9) Cl.** **13-03**

(52) **U.S. Cl.** **D13/168**

(58) **Field of Classification Search** D13/168;
D24/133, 138; D14/218; 200/298, 302.2;
315/158, 295; 340/4.3, 4.42, 12.22, 12.23,
340/12.24, 12.29, 12.3, 13.2, 13.21, 13.24;
341/176; 345/169; 700/17, 65, 83
See application file for complete search history.

(56) **References Cited**

U.S. PATENT DOCUMENTS

3,126,467 A * 3/1964 Stevens 200/302.2
D252,567 S * 8/1979 Harbage et al. D13/168
D253,234 S * 10/1979 Cooke D13/168
D263,299 S * 3/1982 Jacobs D13/168
D270,441 S * 9/1983 Moldenhauer D13/168

D272,339 S * 1/1984 Penland et al. D13/168
D530,680 S * 10/2006 Fox et al. D13/168
D530,681 S * 10/2006 Huang D13/168
D552,562 S * 10/2007 Yamamoto et al. D13/168

* cited by examiner

Primary Examiner — Selina Sikder

(74) *Attorney, Agent, or Firm* — Clark Hill PLC

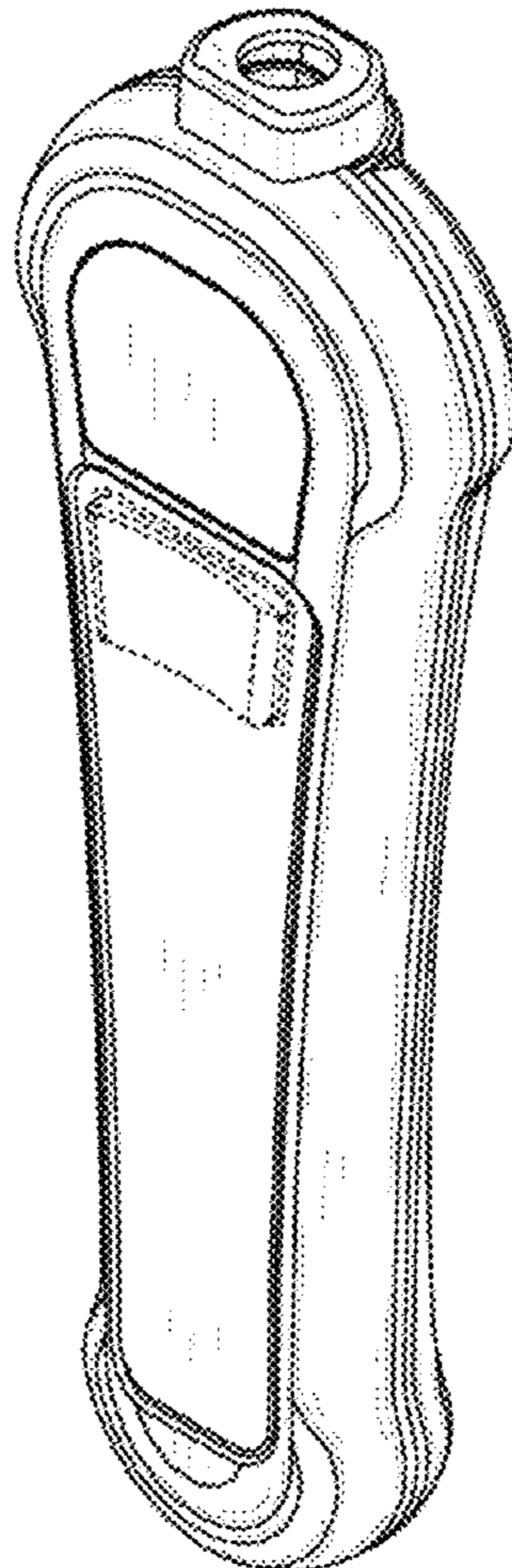
(57) **CLAIM**

The ornamental design for a pendant switch, as shown and described.

DESCRIPTION

FIG. 1 is a front perspective view of the pendant switch;
FIG. 2 is a rear perspective top view of the pendant switch of FIG. 1;
FIG. 3 is a left side elevational view of the pendant switch of FIG. 1;
FIG. 4 is a front elevational view of the pendant switch of FIG. 1;
FIG. 5 is a right side elevational view of the pendant switch of FIG. 1;
FIG. 6 is a rear elevational view of the pendant switch of FIG. 1;
FIG. 7 is a top plan view of the pendant switch of FIG. 1; and,
FIG. 8 is a bottom plan view of the pendant switch of FIG. 1.
The broken lines in the drawings show environmental structure that form no part of the design to be patented.

1 Claim, 5 Drawing Sheets



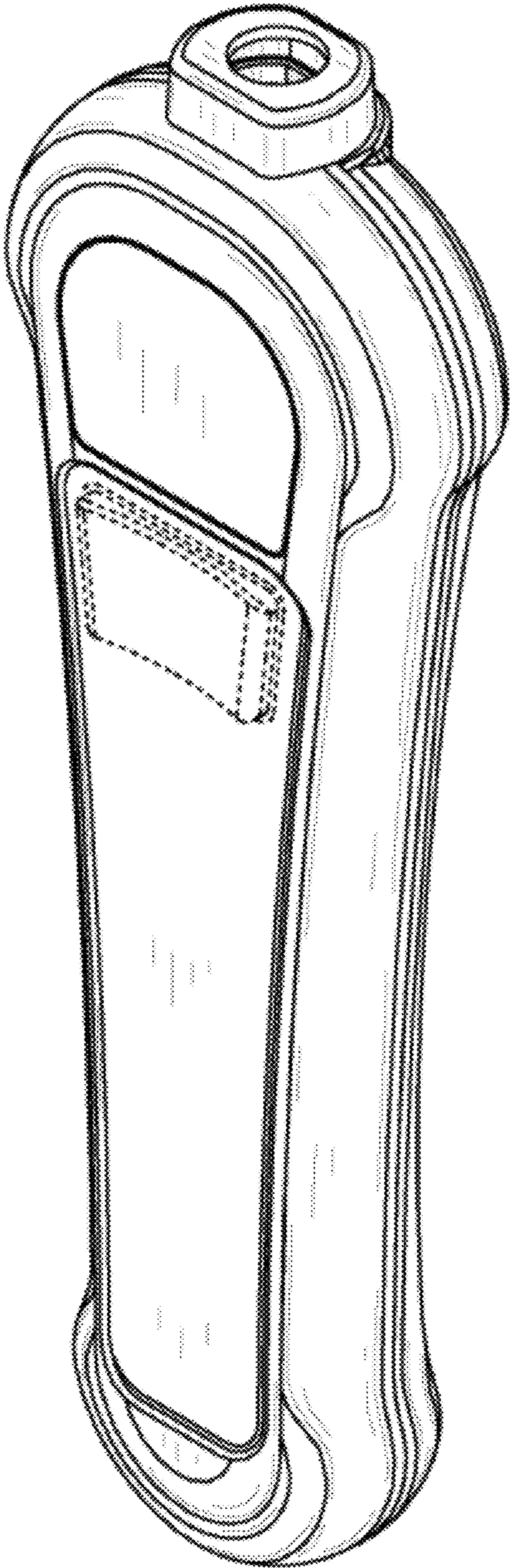


FIG. 1

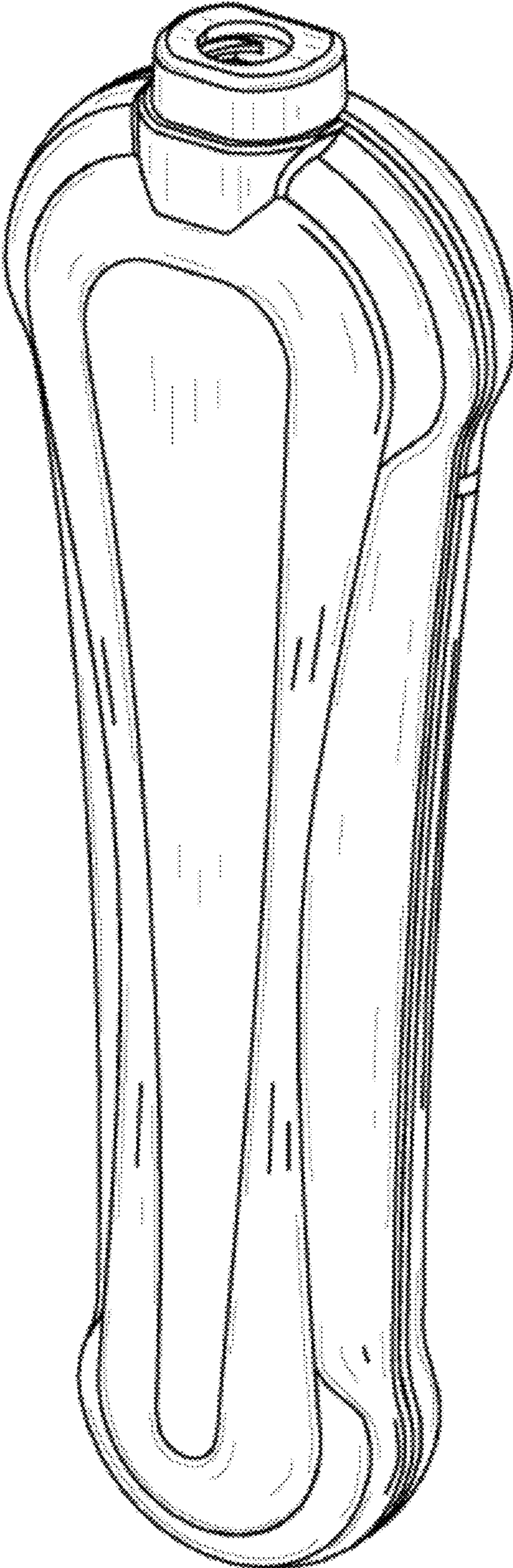


FIG. 2

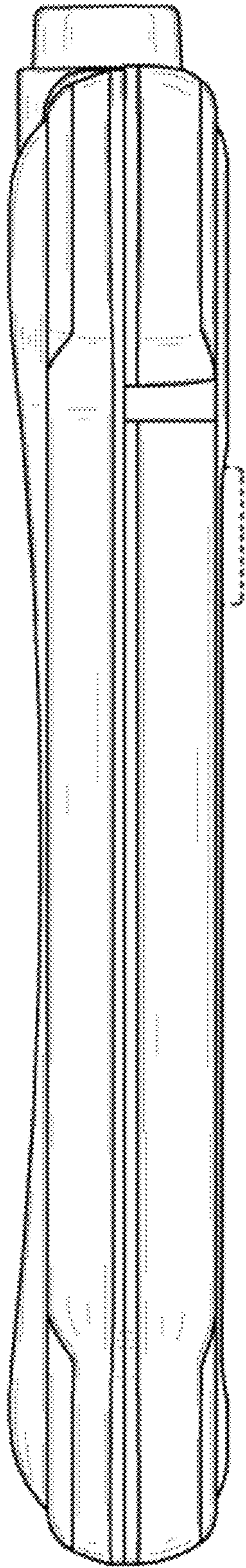


FIG. 3

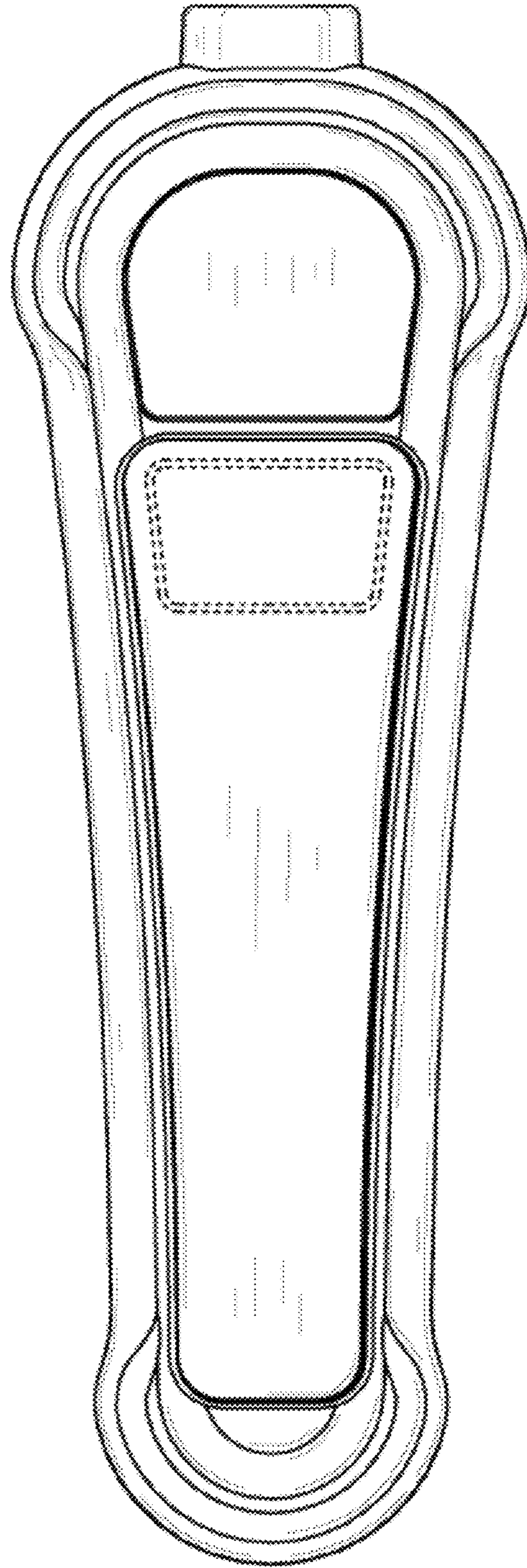


FIG. 4

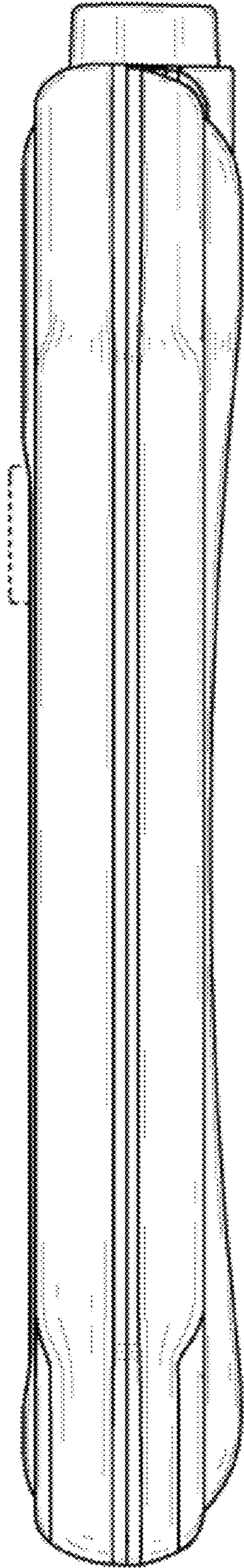


FIG. 5

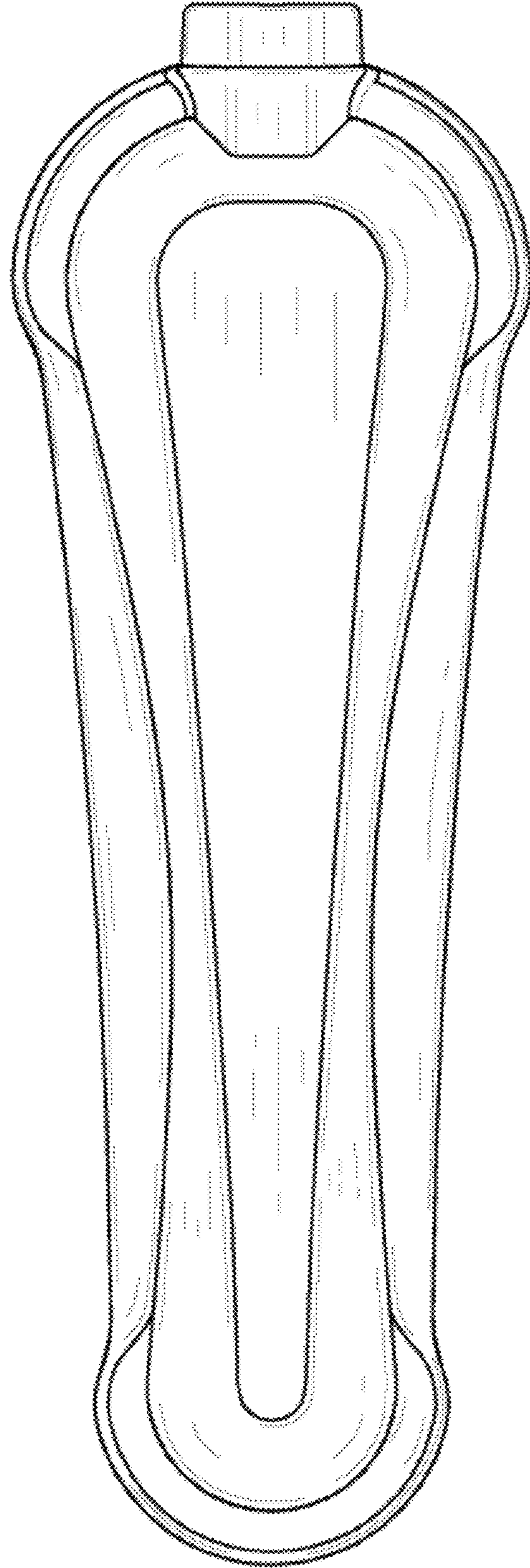


FIG. 6

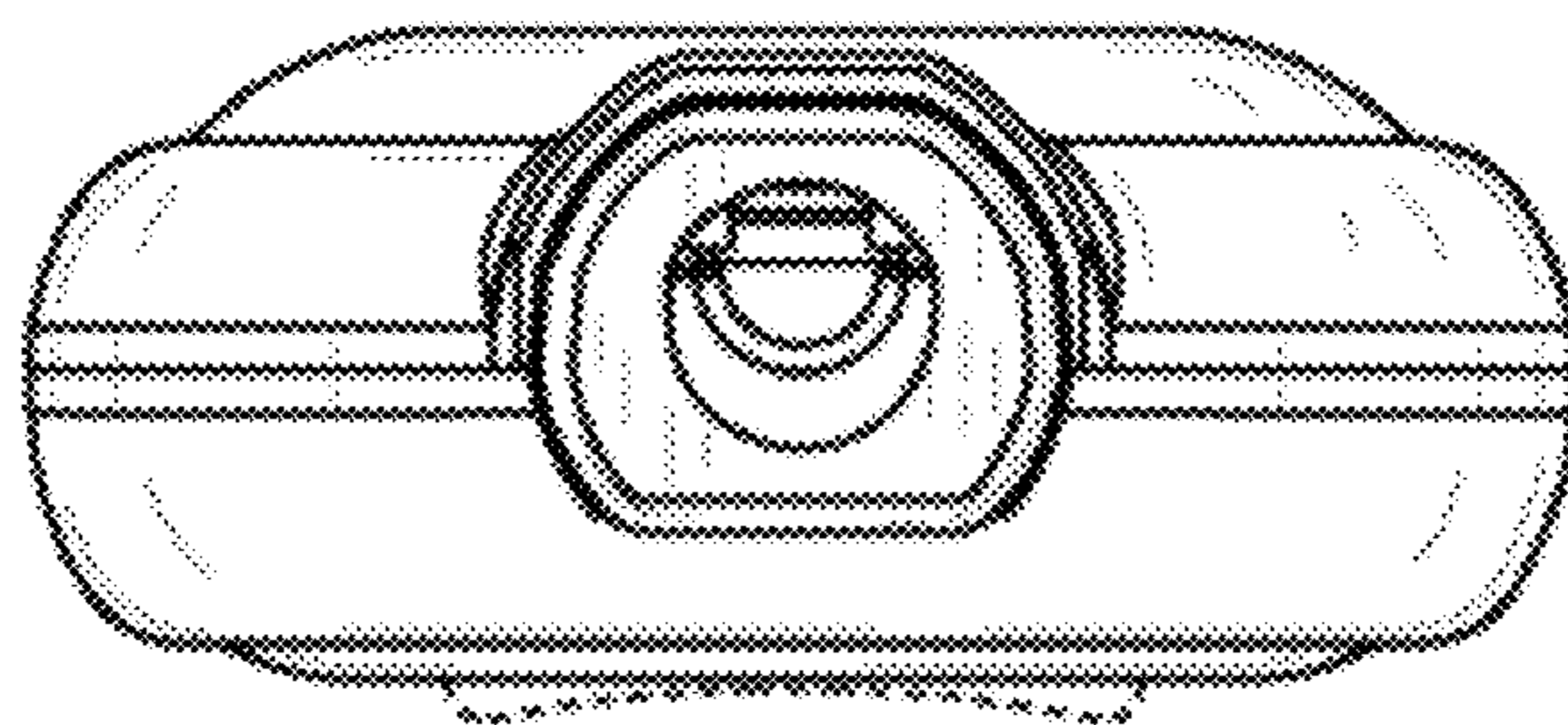


FIG. 7

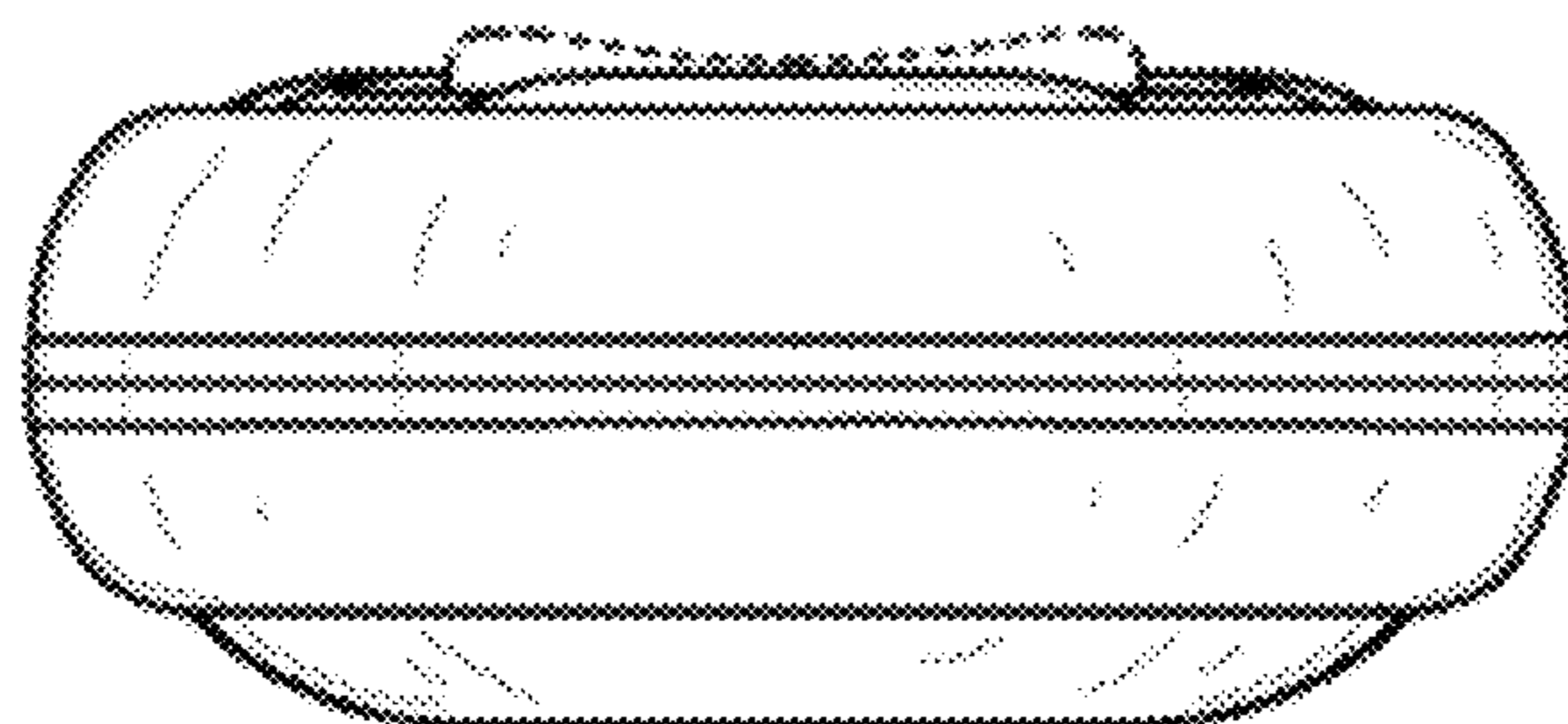


FIG. 8