

US00D662476S

(12) **United States Design Patent**
Liu et al.

(10) **Patent No.:** **US D662,476 S**
(45) **Date of Patent:** **** Jun. 26, 2012**

(54) **AUDIO JACK CONNECTOR**

(75) Inventors: **Bo Liu**, New Taipei (TW); **Rui-Bo Zhan**, New Taipei (TW)

(73) Assignee: **Cheng Uei Precision Industry Co., Ltd.**, New Taipei (TW)

(**) Term: **14 Years**

(21) Appl. No.: **29/402,508**

(22) Filed: **Sep. 23, 2011**

(51) **LOC (9) Cl.** **13-03**

(52) **U.S. Cl.** **D13/146; D13/147**

(58) **Field of Classification Search** D13/133,
D13/147, 154, 184; 439/188, 278, 374, 378,
439/380, 527, 533, 607.01, 607.04, 607.05,
439/607.17, 607.25, 607.34, 607.41, 607.53,
439/668, 540.1, 541.5, 660, 892, 894, 939
See application file for complete search history.

(56) **References Cited**

U.S. PATENT DOCUMENTS

D535,622 S *	1/2007	Zhu et al.	D13/133
D553,083 S *	10/2007	Han et al.	D13/133
D555,099 S *	11/2007	Lin et al.	D13/133
D556,137 S *	11/2007	Lin et al.	D13/133

D558,674 S *	1/2008	Lin et al.	D13/133
D576,551 S *	9/2008	Chien et al.	D13/133
D617,271 S *	6/2010	Chiang	D13/133

* cited by examiner

Primary Examiner — Daniel Bui

(74) *Attorney, Agent, or Firm* — WPAT, P.C.; Anthony King

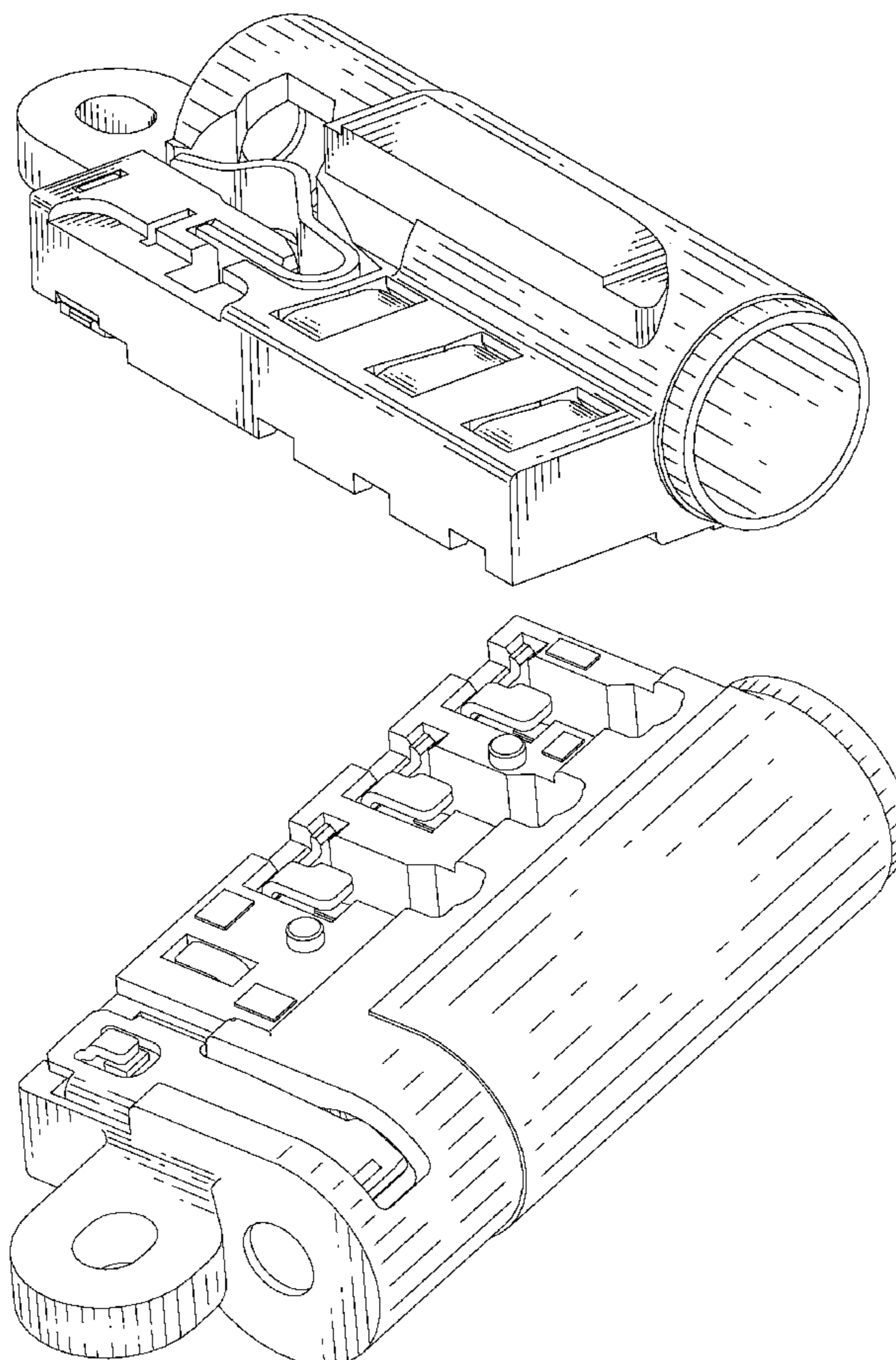
(57) **CLAIM**

The ornamental design for an audio jack connector, as shown and described.

DESCRIPTION

FIG. 1 is a perspective view of an audio jack connector showing our new design;
FIG. 2 is a front elevational view thereof;
FIG. 3 is a rear elevational view thereof;
FIG. 4 is a left side elevational view thereof;
FIG. 5 is a right side elevational view thereof;
FIG. 6 is a top plan view thereof;
FIG. 7 is a bottom plan view thereof; and,
FIG. 8 is another perspective view of the audio jack connector showing our new design.
The broken line portion of the figure drawings is included to show unclaimed subject matter only and forms no part of the claimed design.

1 Claim, 8 Drawing Sheets



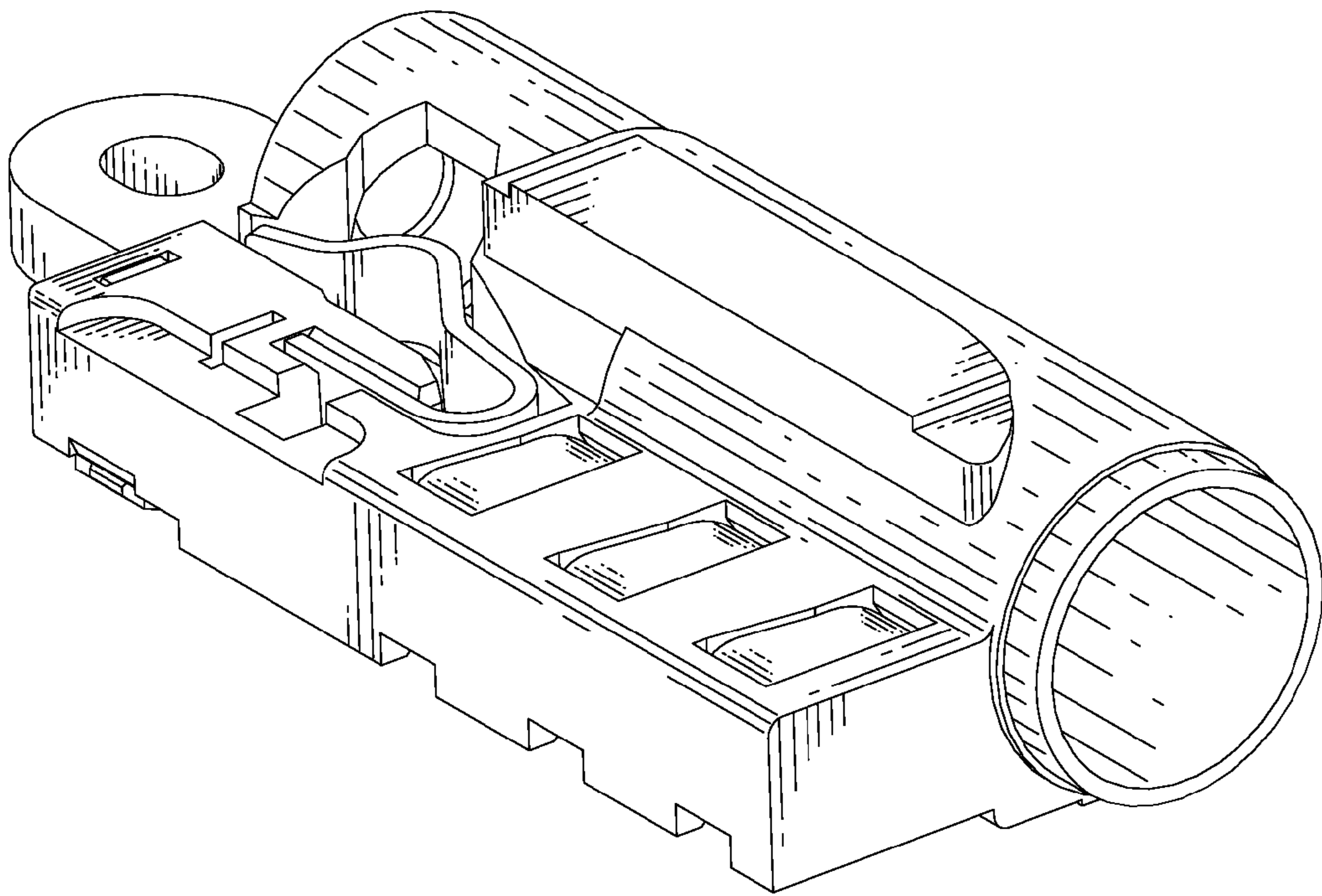


FIG. 1

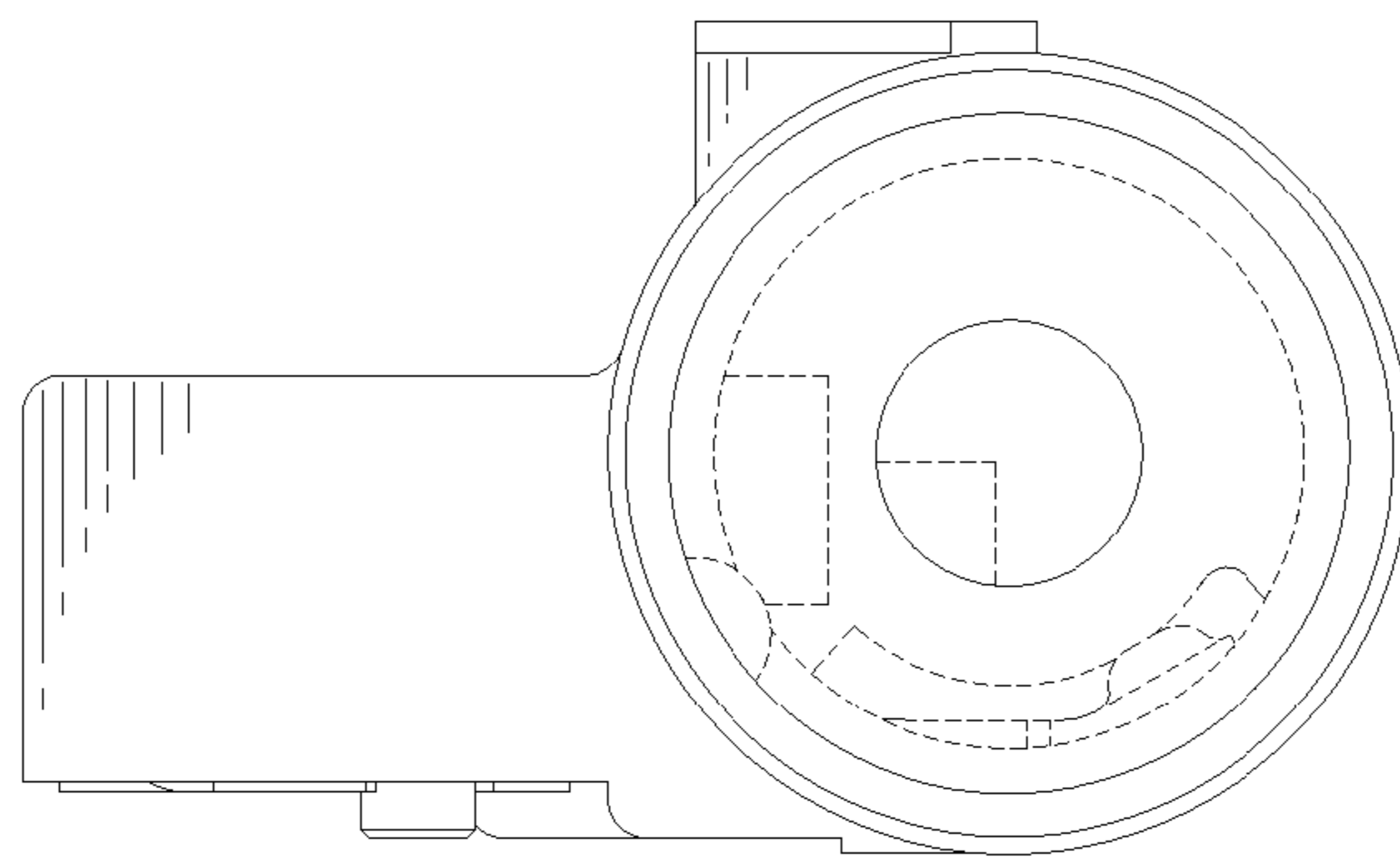


FIG. 2

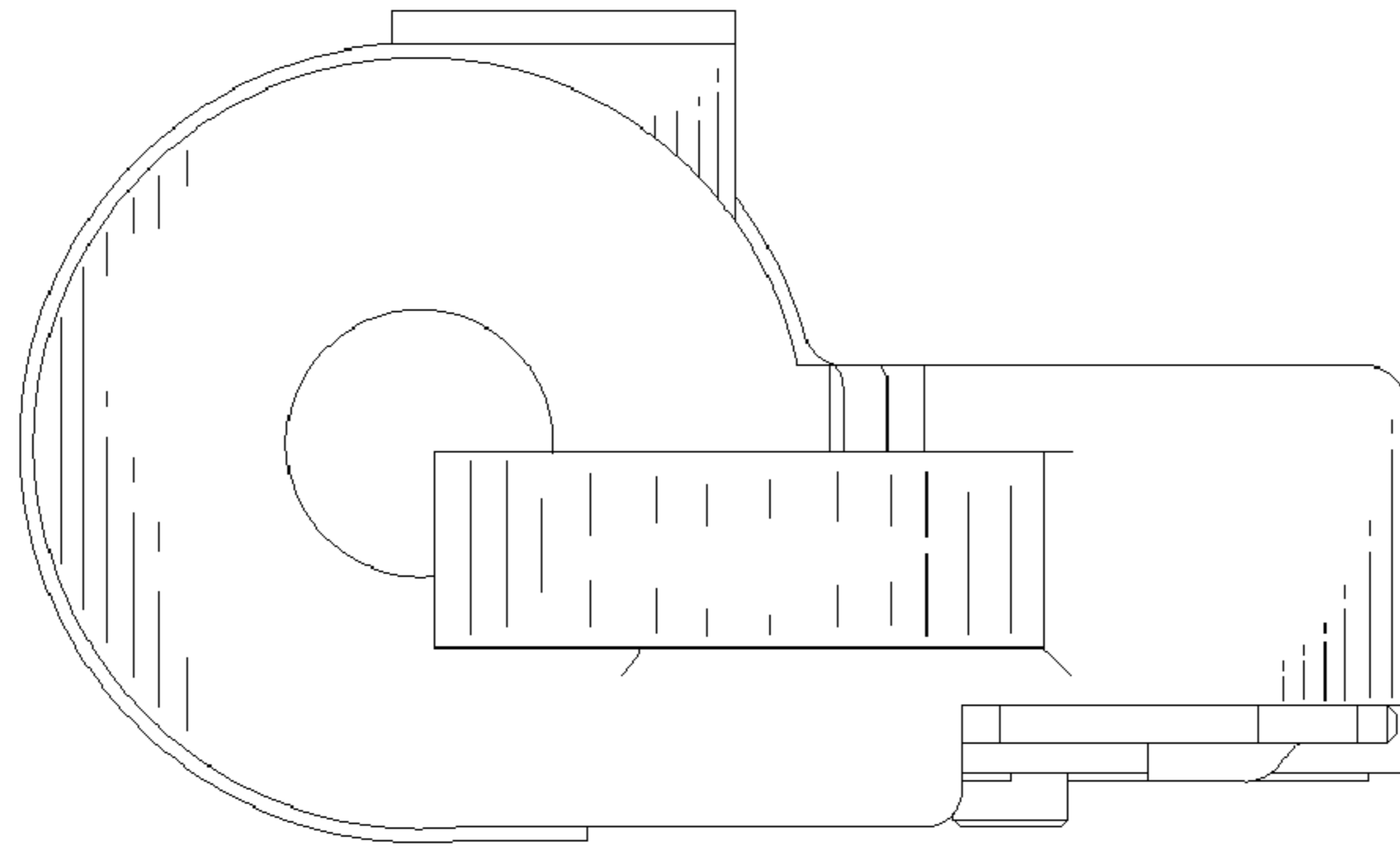


FIG. 3

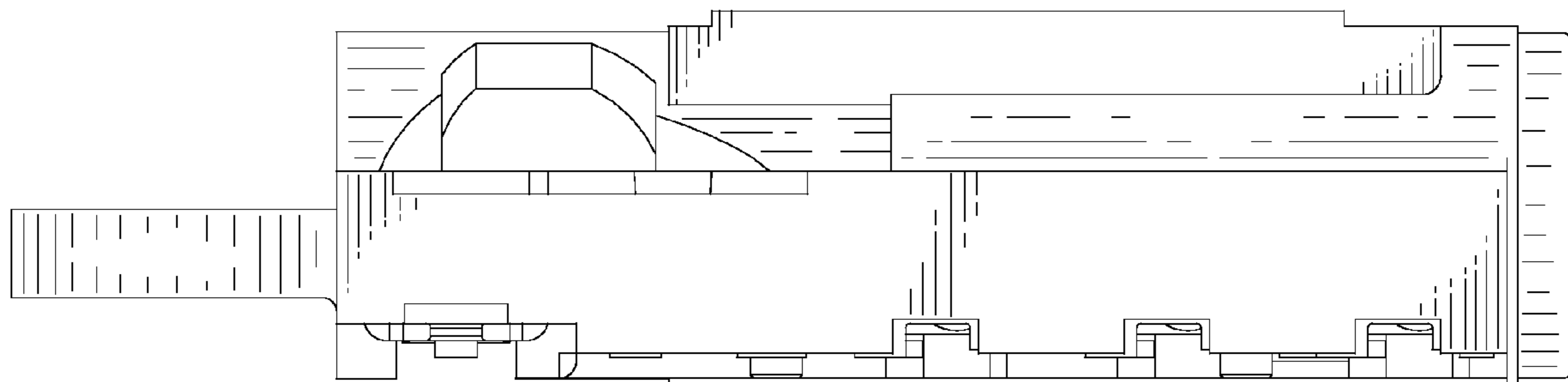


FIG. 4

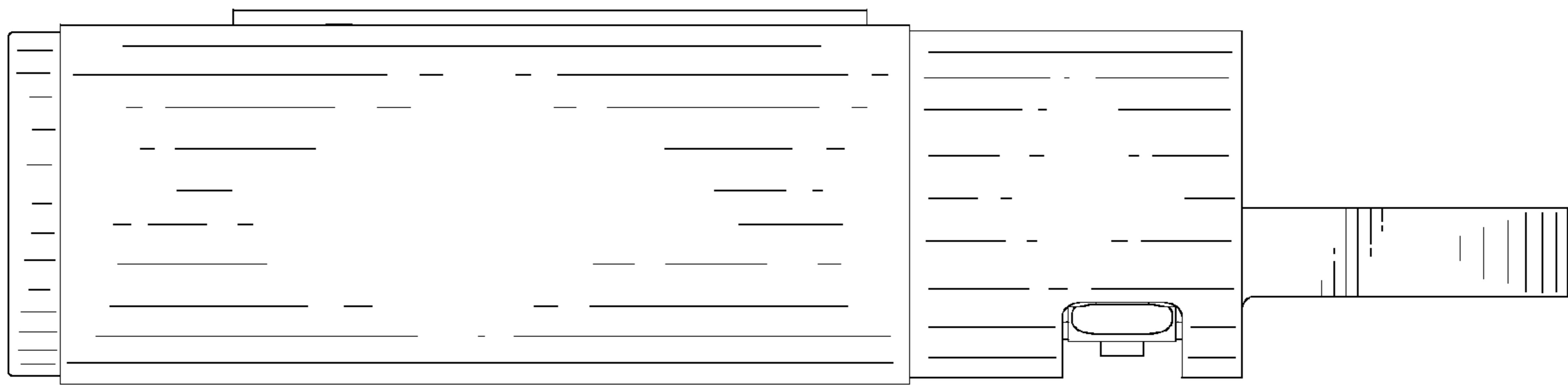


FIG. 5

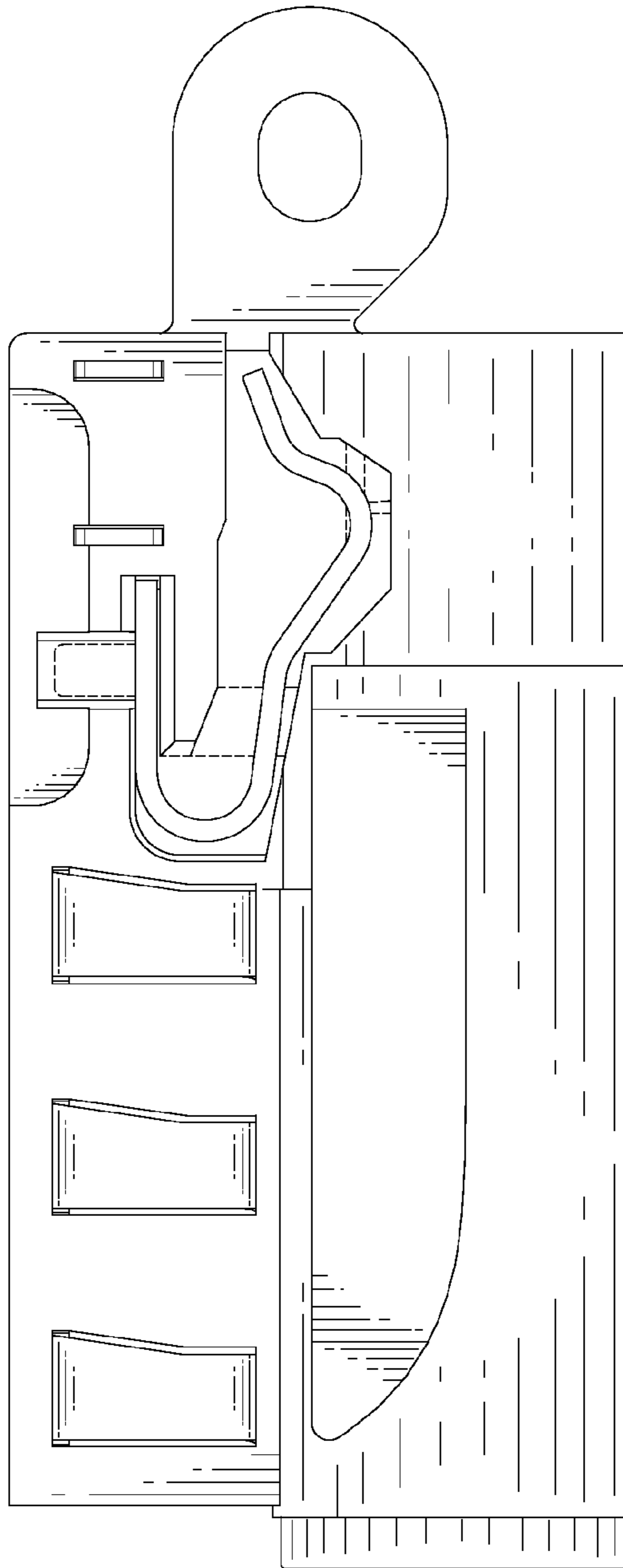


FIG. 6

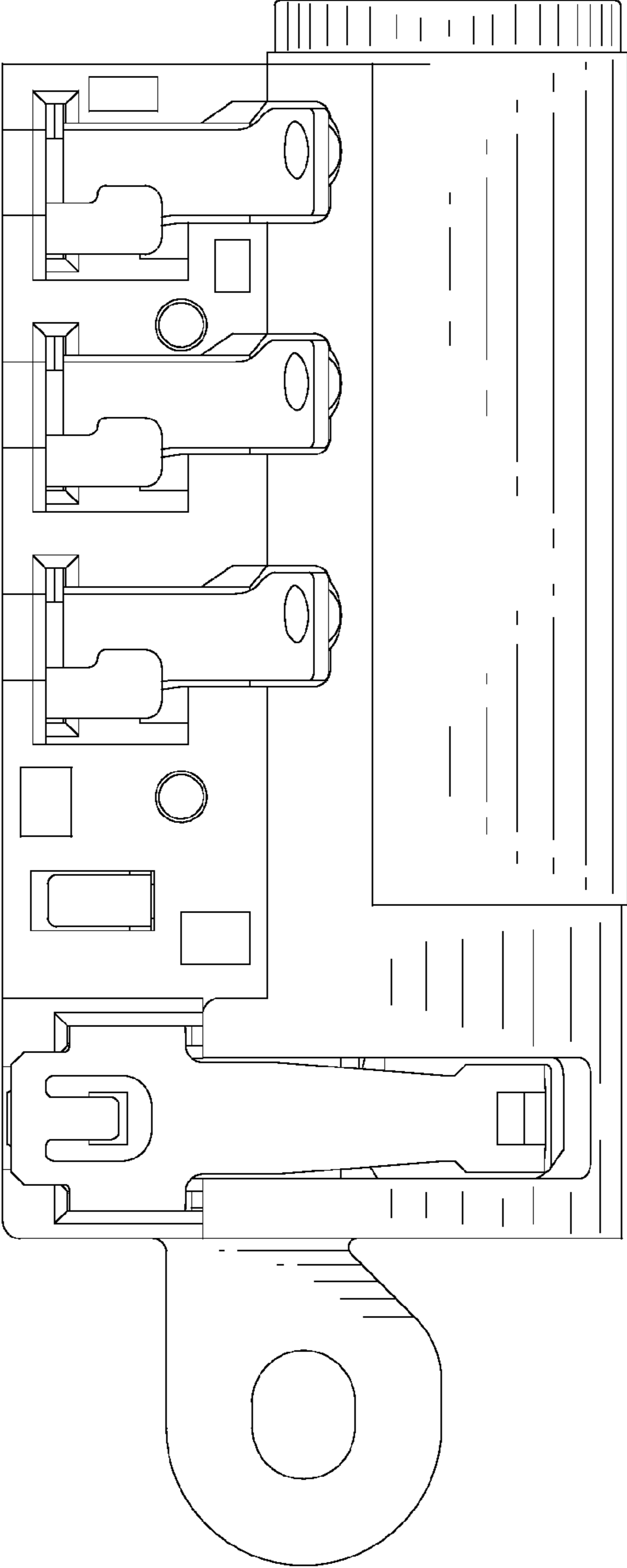


FIG. 7

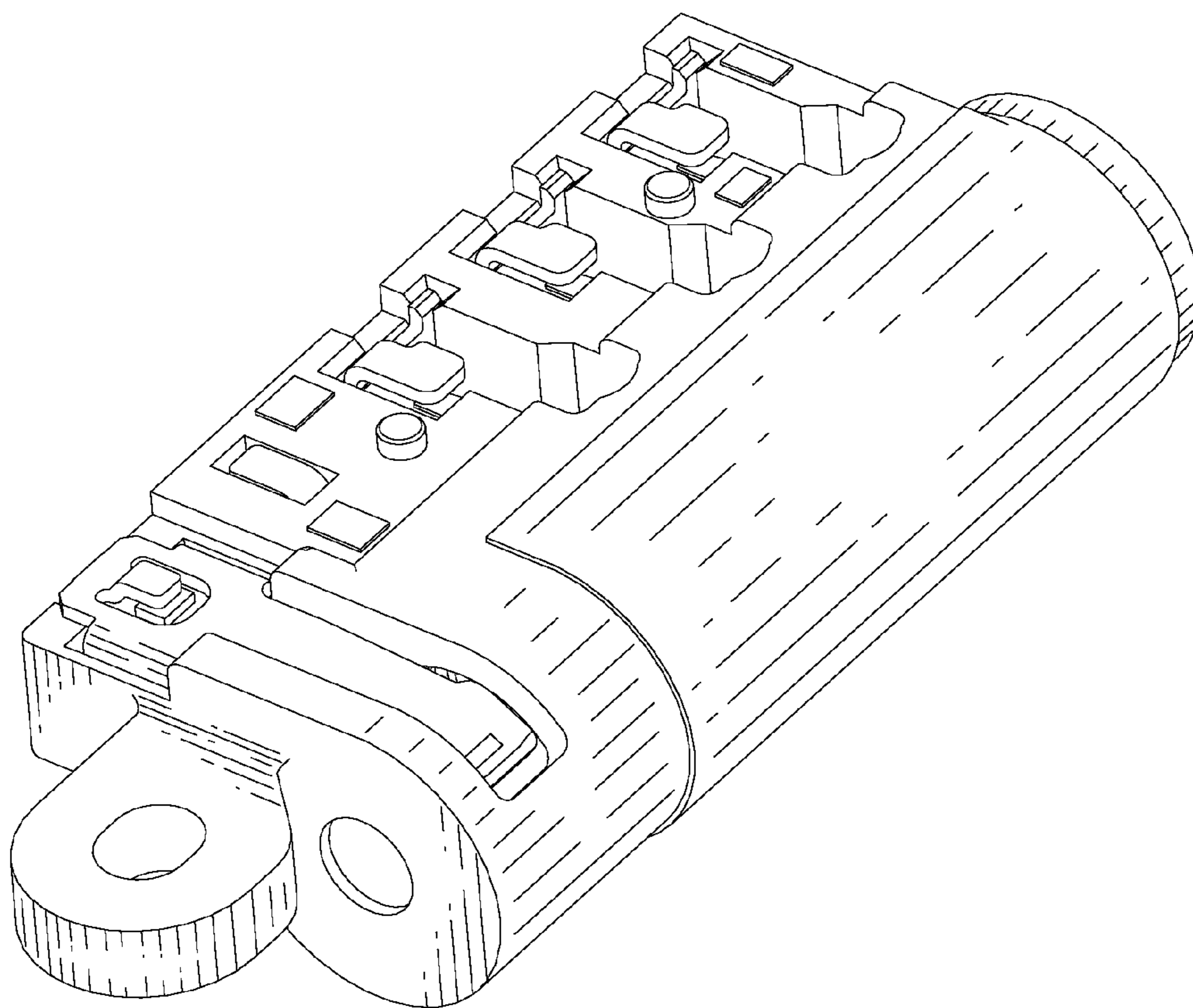


FIG. 8