

US00D662475S

(12) **United States Design Patent**
Smith

(10) **Patent No.:** **US D662,475 S**

(45) **Date of Patent:** **** *Jun. 26, 2012**

(54) **POLARIZED 3 POLE ELECTRICAL CONNECTOR WITH PROTECTIVE GROUND**

(75) Inventor: **Nathan T Smith**, Worcester, MA (US)

(73) Assignee: **Anderson Power Products, Inc.**, Sterling, MA (US)

(*) Notice: This patent is subject to a terminal disclaimer.

(**) Term: **14 Years**

(21) Appl. No.: **29/398,665**

(22) Filed: **Aug. 3, 2011**

(51) **LOC (9) Cl.** **13-03**

(52) **U.S. Cl.** **D13/146**

(58) **Field of Classification Search** D13/133, D13/146, 147, 154; 439/180, 246, 278, 353, 439/357, 358, 374, 381, 527, 529, 533, 626, 439/680, 682, 677, 892, 894

See application file for complete search history.

(56) **References Cited**

U.S. PATENT DOCUMENTS

D196,111	S	*	8/1963	Krehbiel	D13/147
D210,533	S	*	3/1968	Pauza	D13/147
D366,242	S	*	1/1996	Goto	D13/147
5,651,697	A	*	7/1997	Cinquegrani et al.	439/557
D399,822	S	*	10/1998	Starec et al.	D13/139.1
D425,869	S	*	5/2000	Yokomizo et al.	D13/147
D448,345	S	*	9/2001	Fristedt	D13/133
D451,886	S	*	12/2001	Goto	D13/147

D457,194	S	*	5/2002	Goto	D21/333
D479,199	S	*	9/2003	Jones et al.	D13/147
D483,017	S	*	12/2003	Goto	D13/147
D494,933	S	*	8/2004	Lu	D13/133
D529,444	S	*	10/2006	Kudo	D13/147
D531,960	S	*	11/2006	Kondas	D13/147
D580,872	S	*	11/2008	Knepper	D13/154
D604,249	S	*	11/2009	Mancini	D13/147
D646,223	S	*	10/2011	Gouhl et al.	D13/146
D647,484	S	*	10/2011	Goto et al.	D13/147

* cited by examiner

Primary Examiner — Daniel Bui

(74) *Attorney, Agent, or Firm* — Maine Cernota & Rardin

(57) **CLAIM**

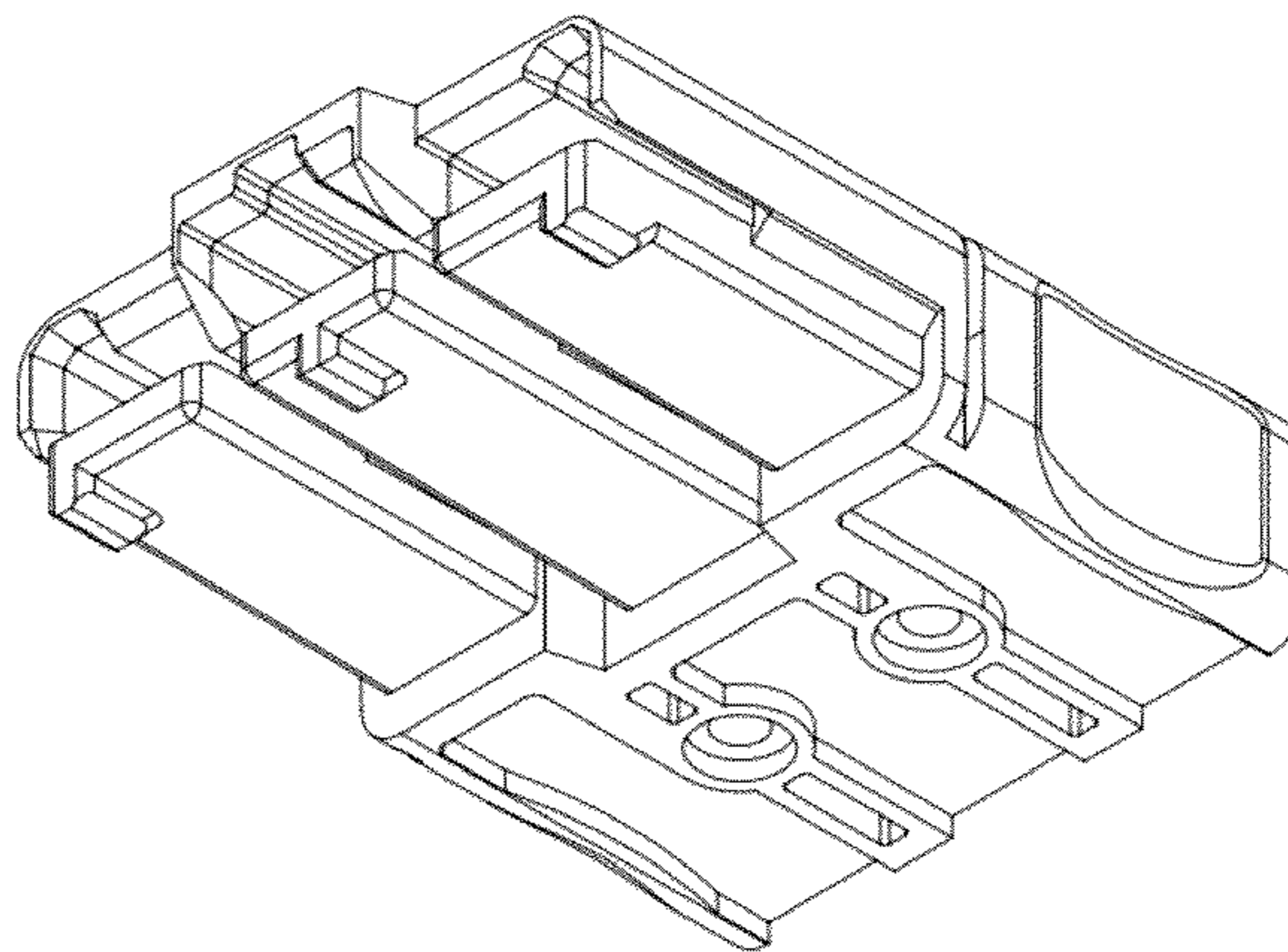
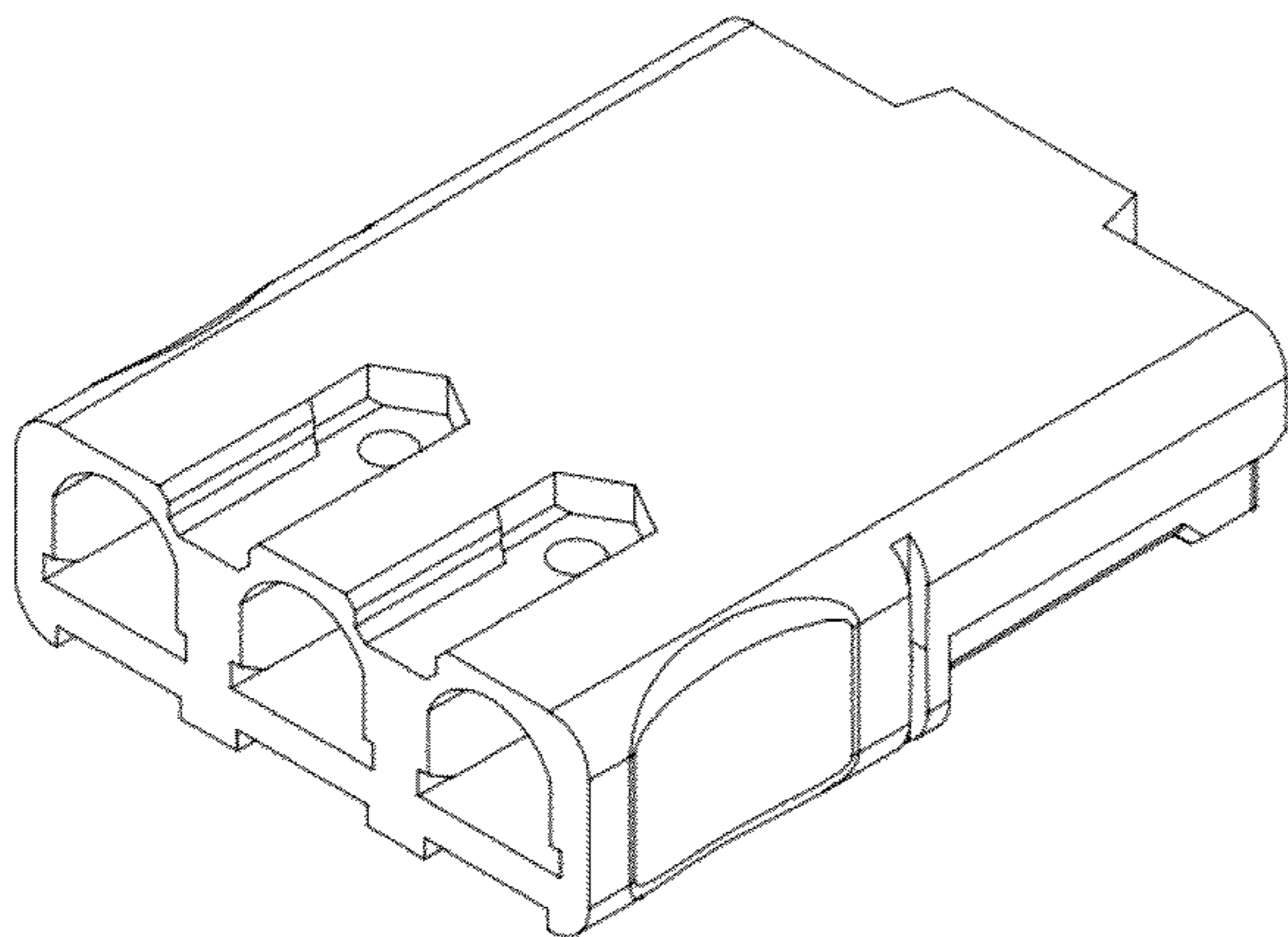
The ornamental design for a polarized 3 pole electrical connector with protective ground, as shown and described.

DESCRIPTION

FIG. 1 is a front elevation view of a polarized 3 pole electrical connector with protective ground showing my new design; FIG. 2 is a back elevation view thereof; FIG. 3 is a top plan view thereof; FIG. 4 is a bottom plan view thereof; FIG. 5 is a right side elevation view thereof; FIG. 6 is a left side elevation view thereof; FIG. 7 is a back, top and left side perspective view thereof; and, FIG. 8 is a front, bottom and right side perspective view thereof.

The broken line portion of the figure drawings is included to show unclaimed subject matter only and forms no part of the claimed design.

1 Claim, 8 Drawing Sheets



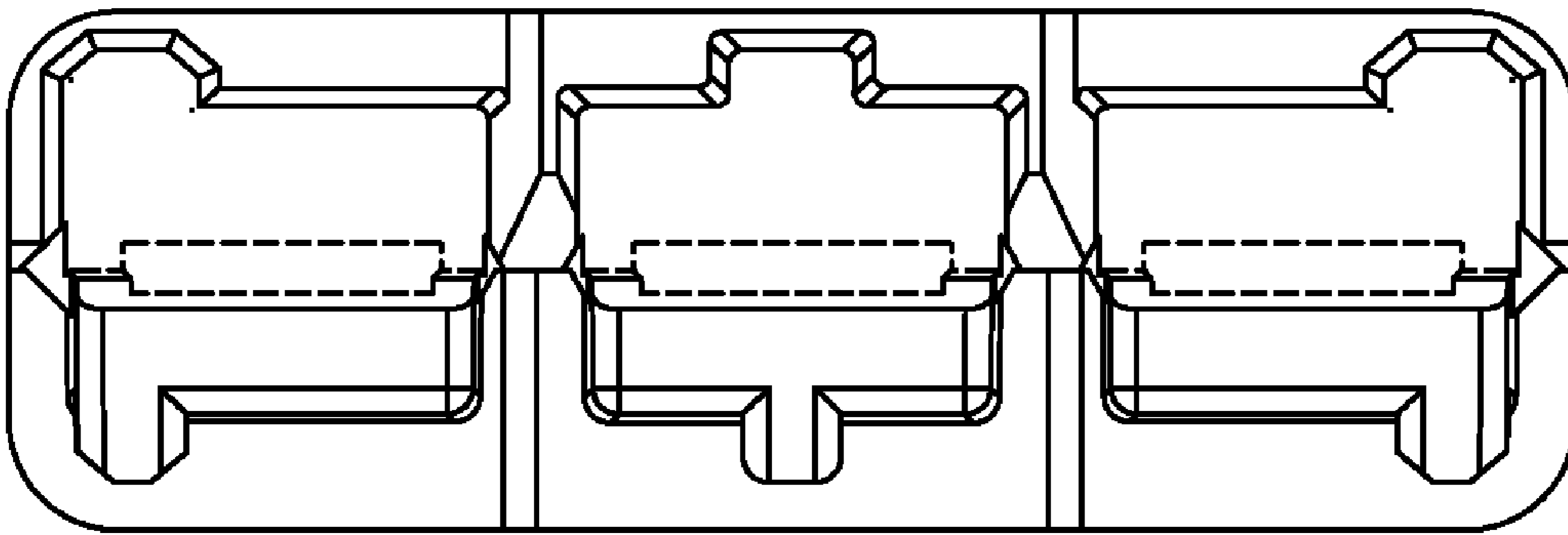


FIG. 1

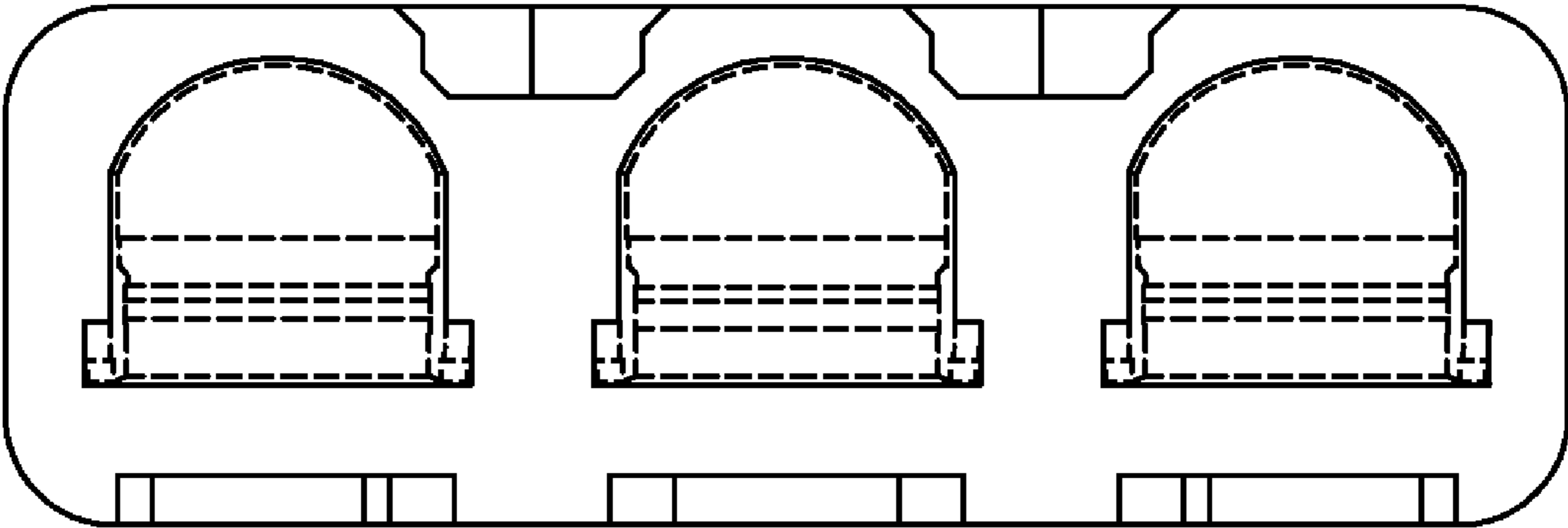


FIG. 2

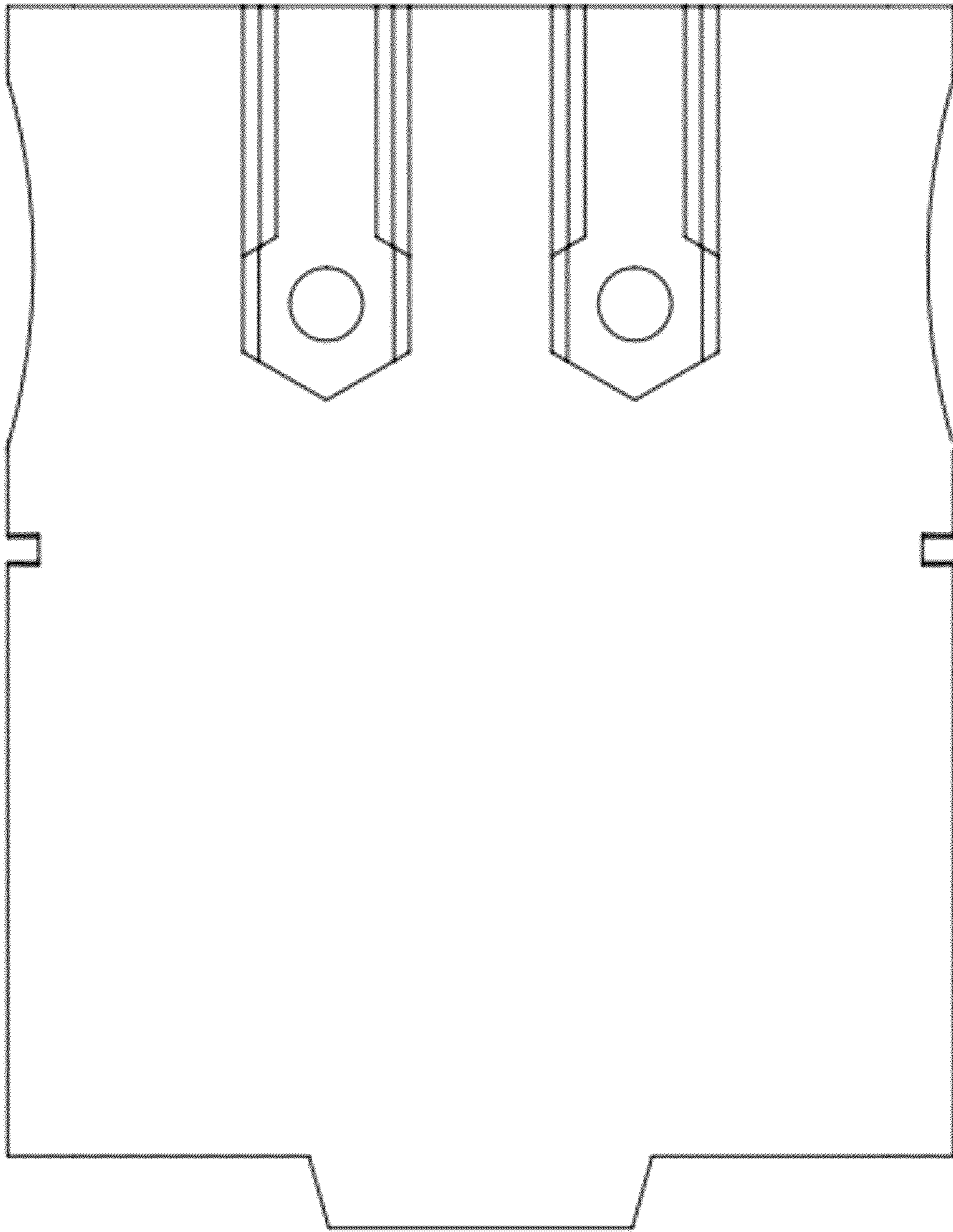


FIG. 3

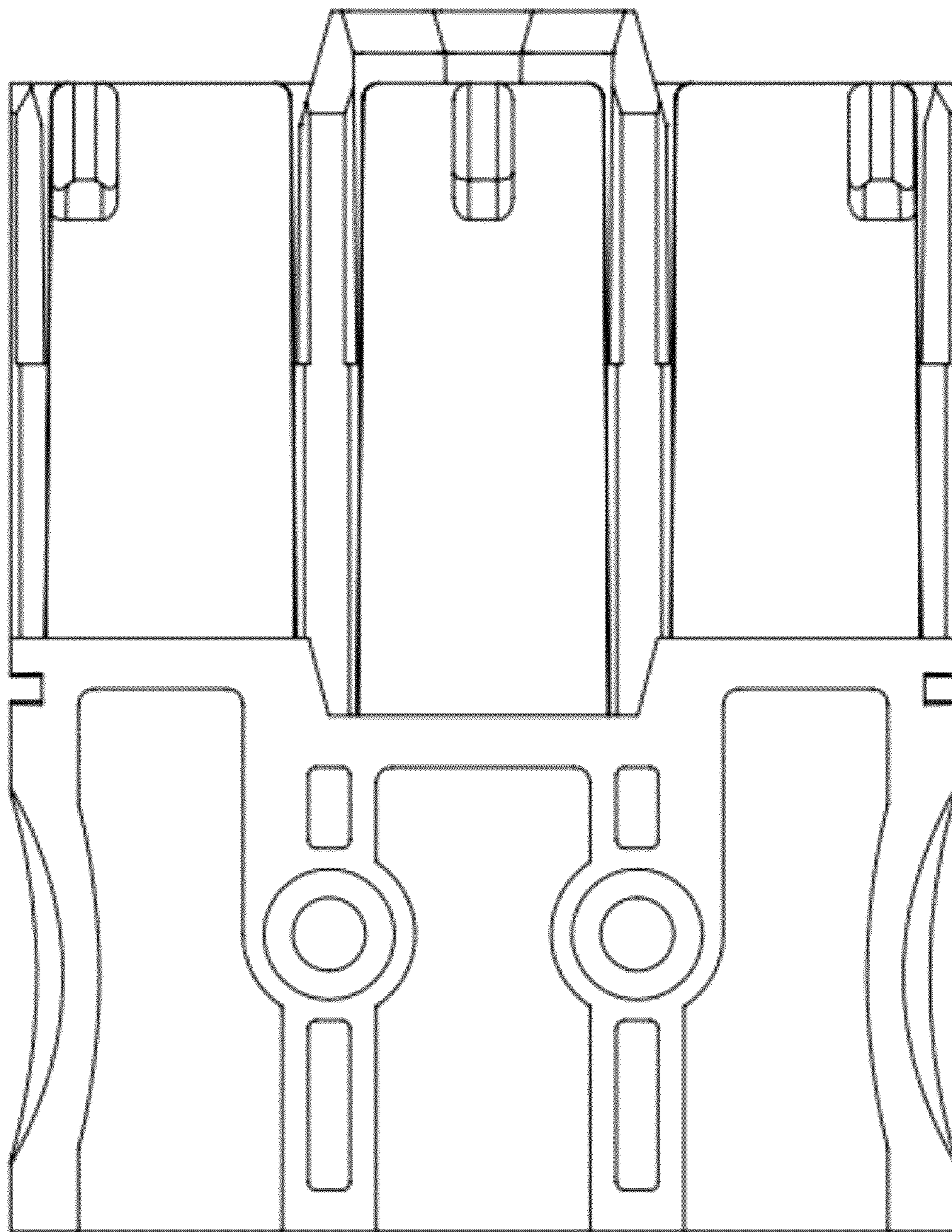


FIG. 4

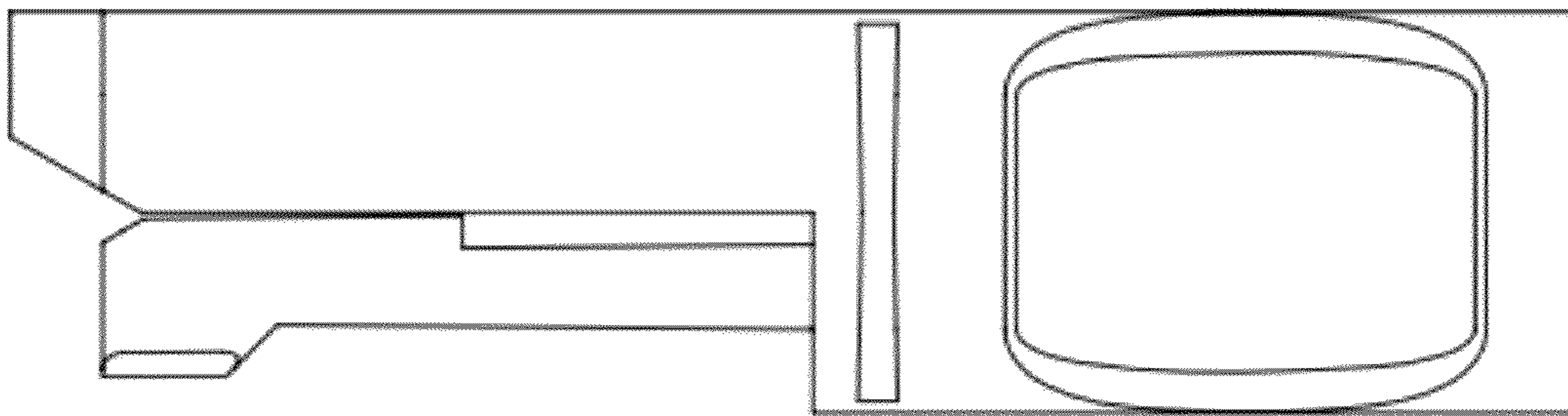


FIG. 5

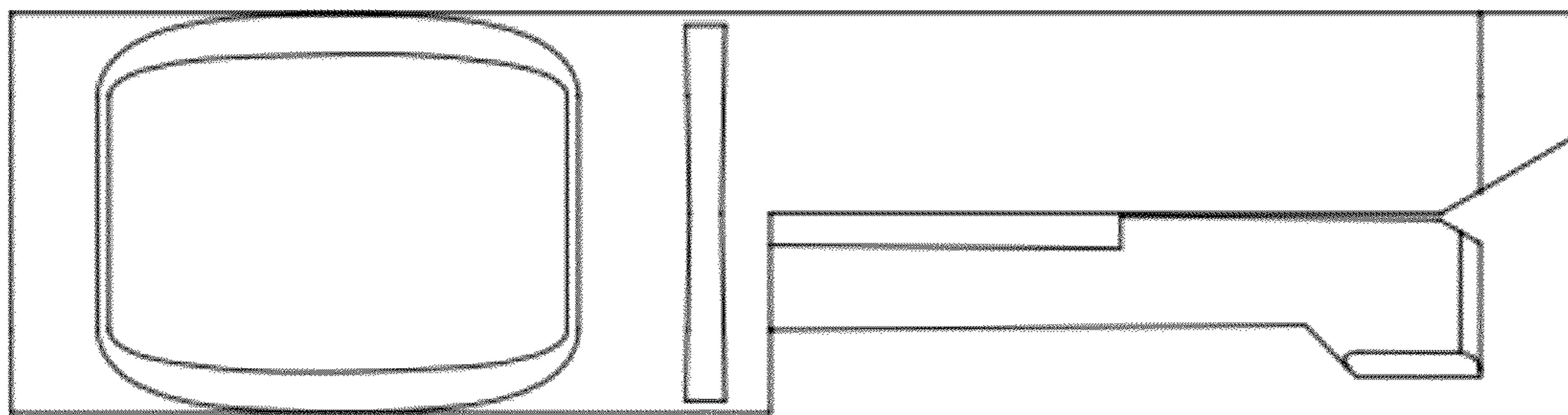


FIG. 6

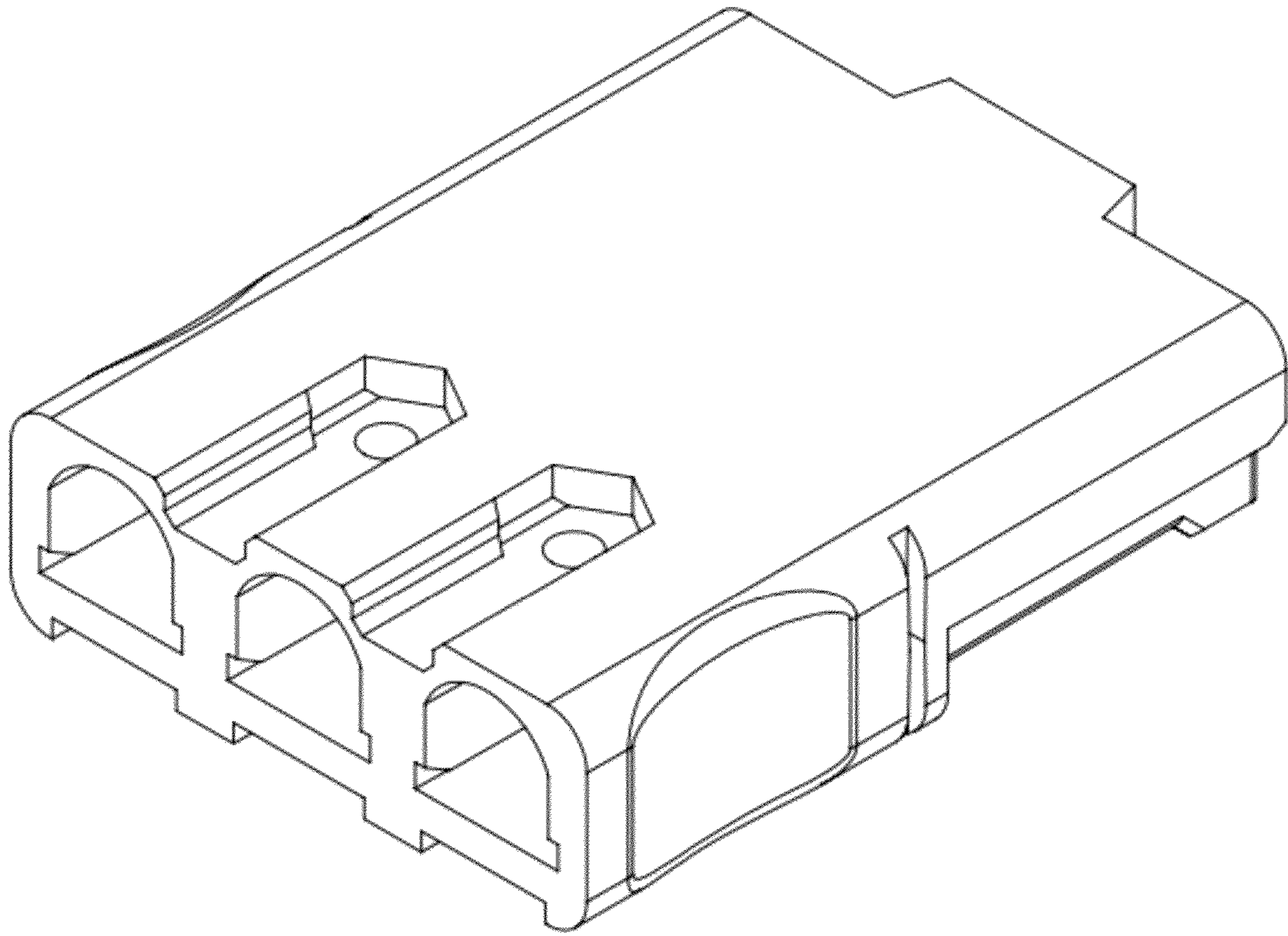


FIG. 7

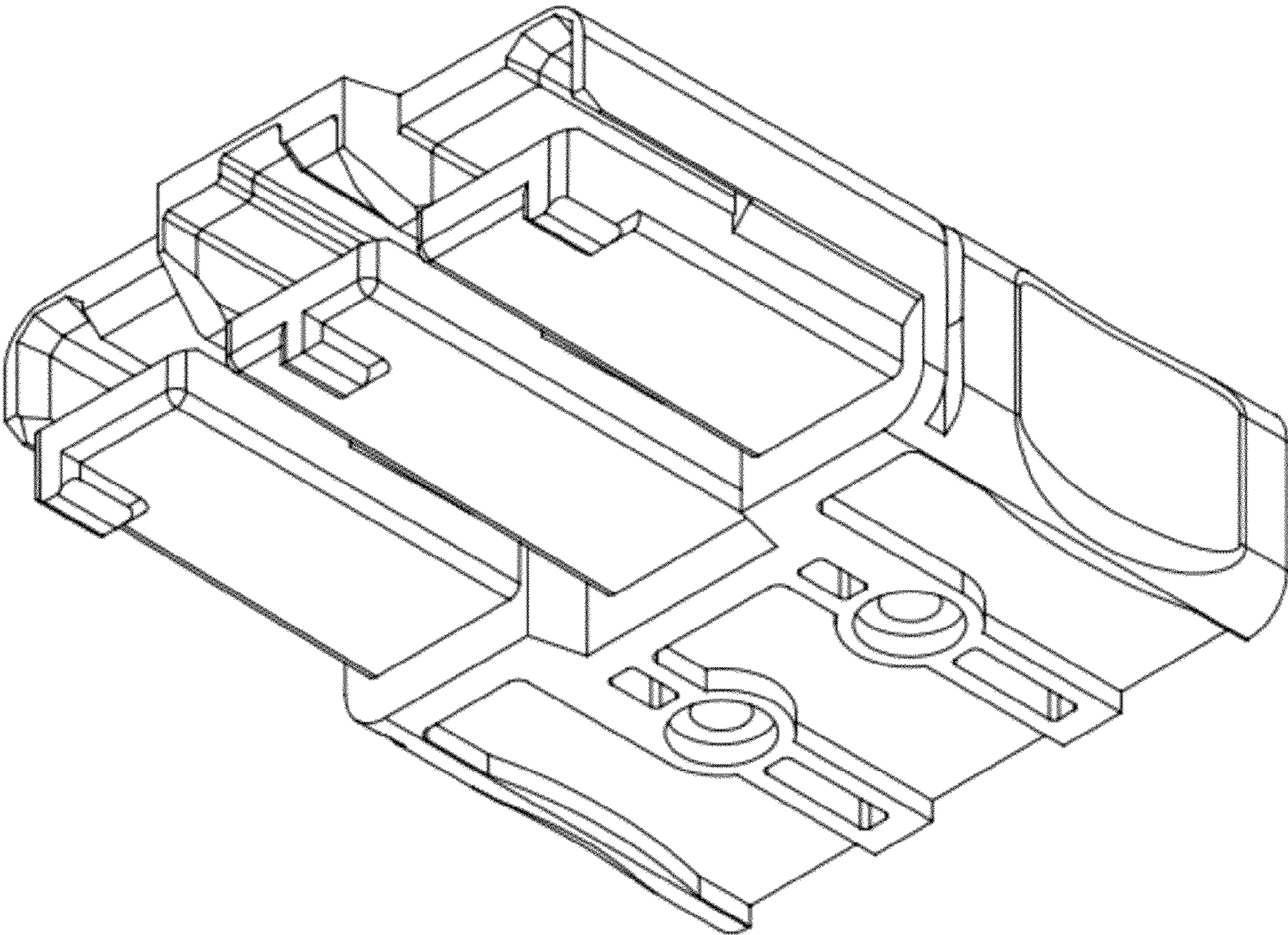


FIG. 8