

US00D662474S

(12) **United States Design Patent**
Becker

(10) **Patent No.:** **US D662,474 S**

(45) **Date of Patent:** **** *Jun. 26, 2012**

(54) **ELECTRICAL FITTING**

(75) Inventor: **Markus Becker**, Paderborn (DE)

(73) Assignee: **Phoenix Contact GHMB & Co KG**,
Blomberg (DE)

(*) Notice: This patent is subject to a terminal disclaimer.

(**) Term: **14 Years**

(21) Appl. No.: **29/387,155**

(22) Filed: **Mar. 9, 2011**

(30) **Foreign Application Priority Data**

Sep. 9, 2010 (EM) 001752601

(51) **LOC (9) Cl.** **13-02**

(52) **U.S. Cl.** **D13/118**

(58) **Field of Classification Search** D13/118,
D13/101, 107, 108, 110, 114, 123, 133, 146,
D13/153, 154, 199; 307/62, 82, 109, 150,
307/151; 320/110, 111, 112, 113, 114, 115;
361/600, 601, 623; 429/96, 97, 98, 99, 100,
429/163, 170, 176

See application file for complete search history.

(56) **References Cited**

U.S. PATENT DOCUMENTS

6,299,490	B1 *	10/2001	Schultz et al.	439/676
D551,619	S *	9/2007	Schneider	D13/110
D575,730	S *	8/2008	Hung	D13/110
D593,030	S *	5/2009	Konoma et al.	D13/110
D594,411	S *	6/2009	Mullen	D13/110
D596,126	S *	7/2009	Norin et al.	D13/133
D619,960	S *	7/2010	Winkler	D13/110

FOREIGN PATENT DOCUMENTS

DE 000644935-0001 12/2006

* cited by examiner

Primary Examiner — Derrick Holland

(74) *Attorney, Agent, or Firm* — Kauth, Pomeroy, Peck & Bailey LLP

(57) **CLAIM**

The ornamental design for an electrical fitting, as shown and described.

DESCRIPTION

FIG. 1 is a bottom view of an electrical fitting showing my new design.

FIG. 2 is a perspective view thereof;

FIG. 3 is a front view thereof;

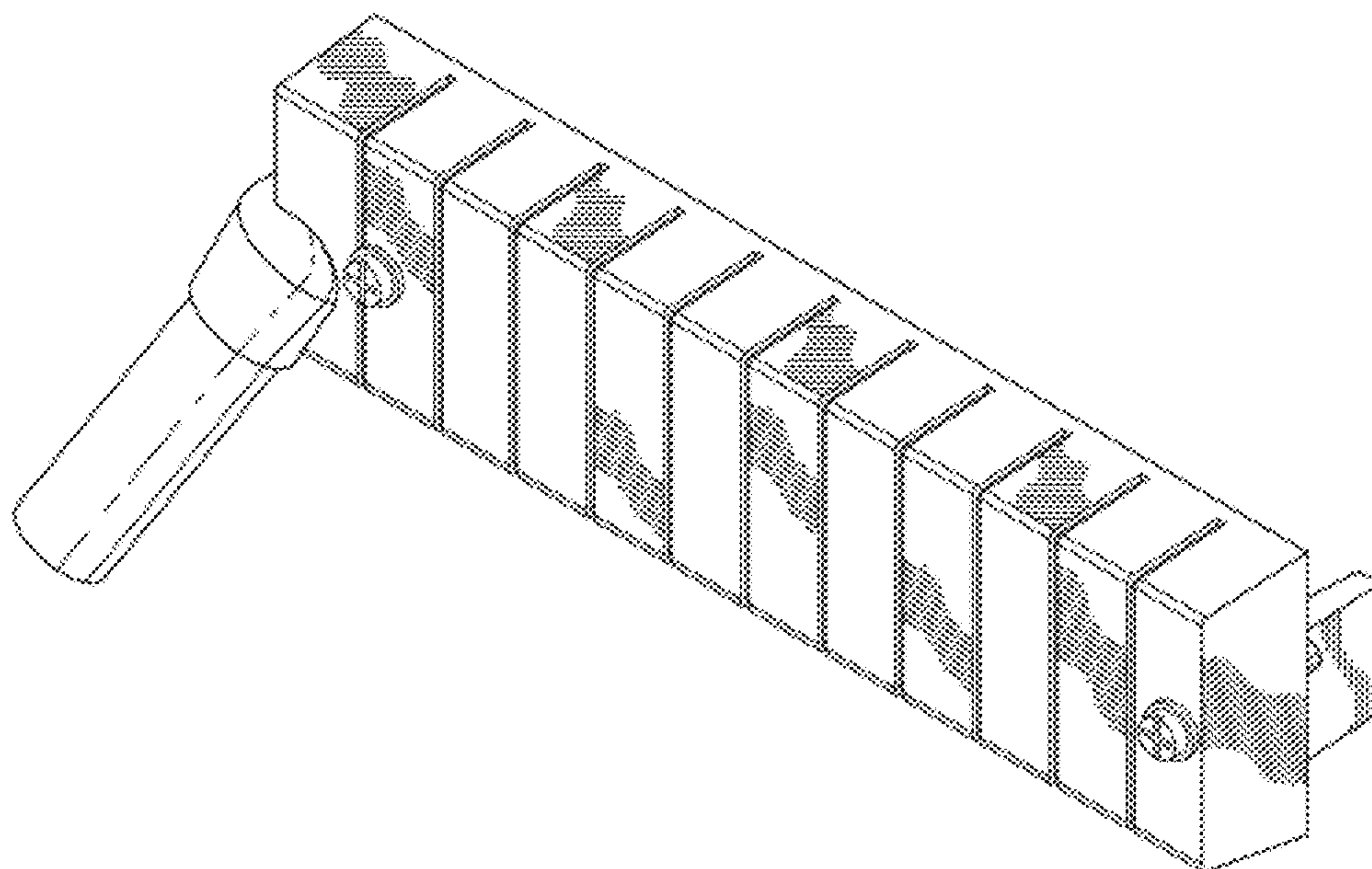
FIG. 4 is a right-side view thereof;

FIG. 5 is a back view thereof;

FIG. 6 is a top view thereof; and,

FIG. 7 is a left-side view thereof.

1 Claim, 5 Drawing Sheets



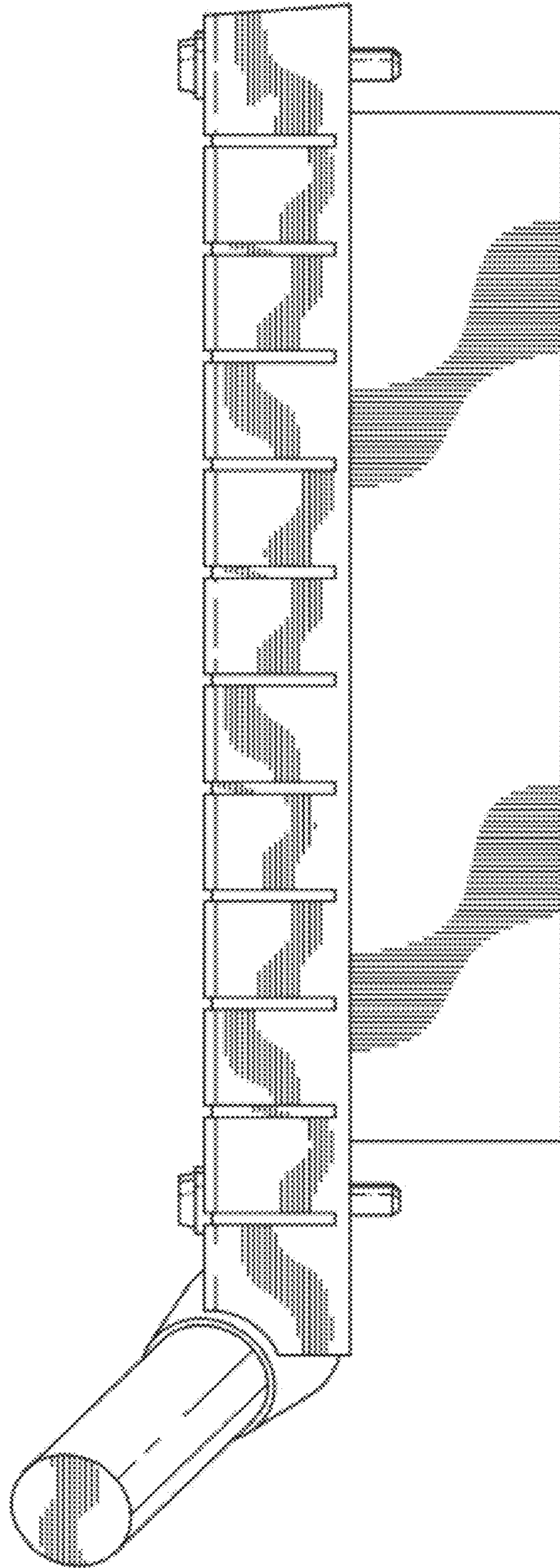


FIG. 1

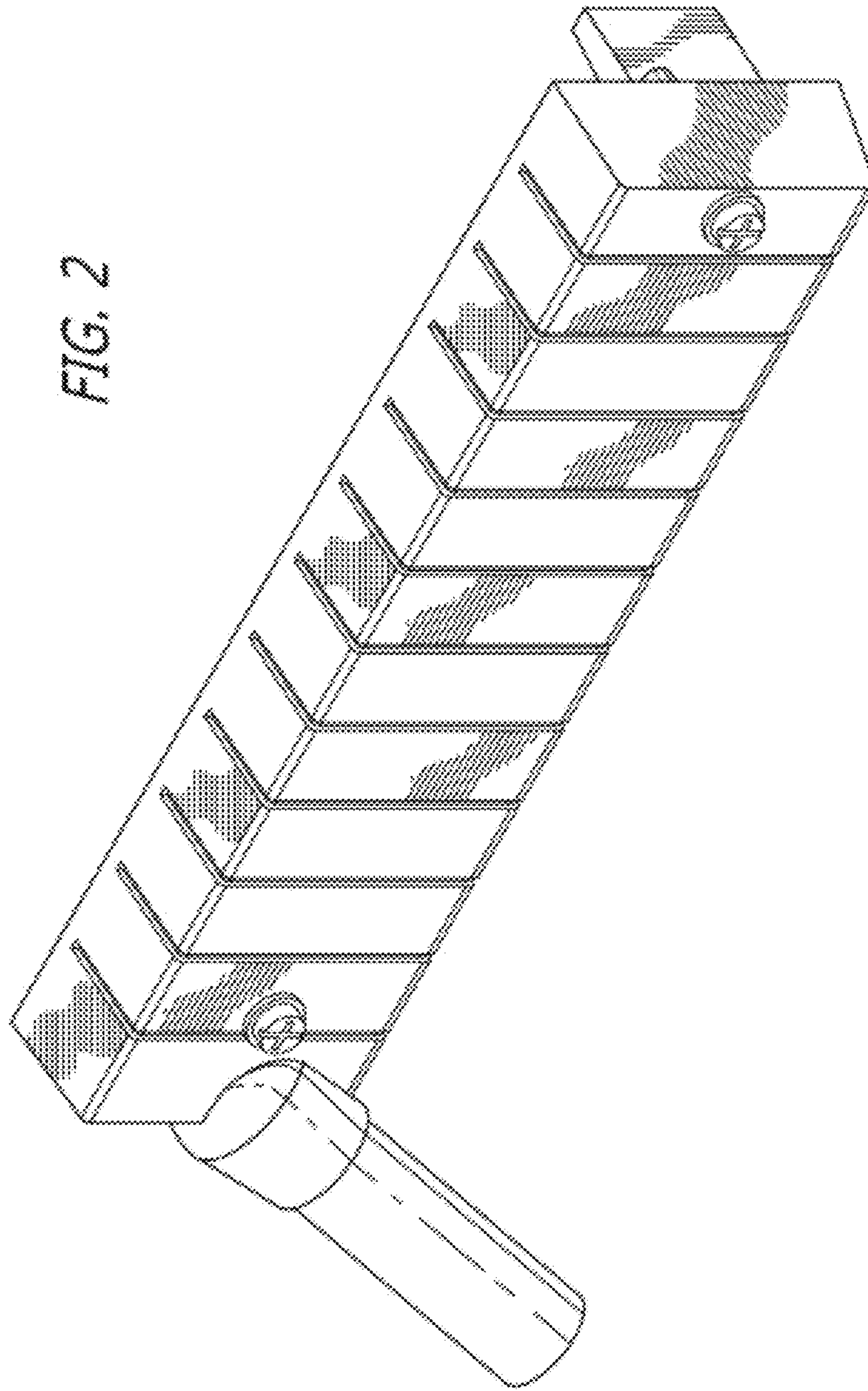


FIG. 2

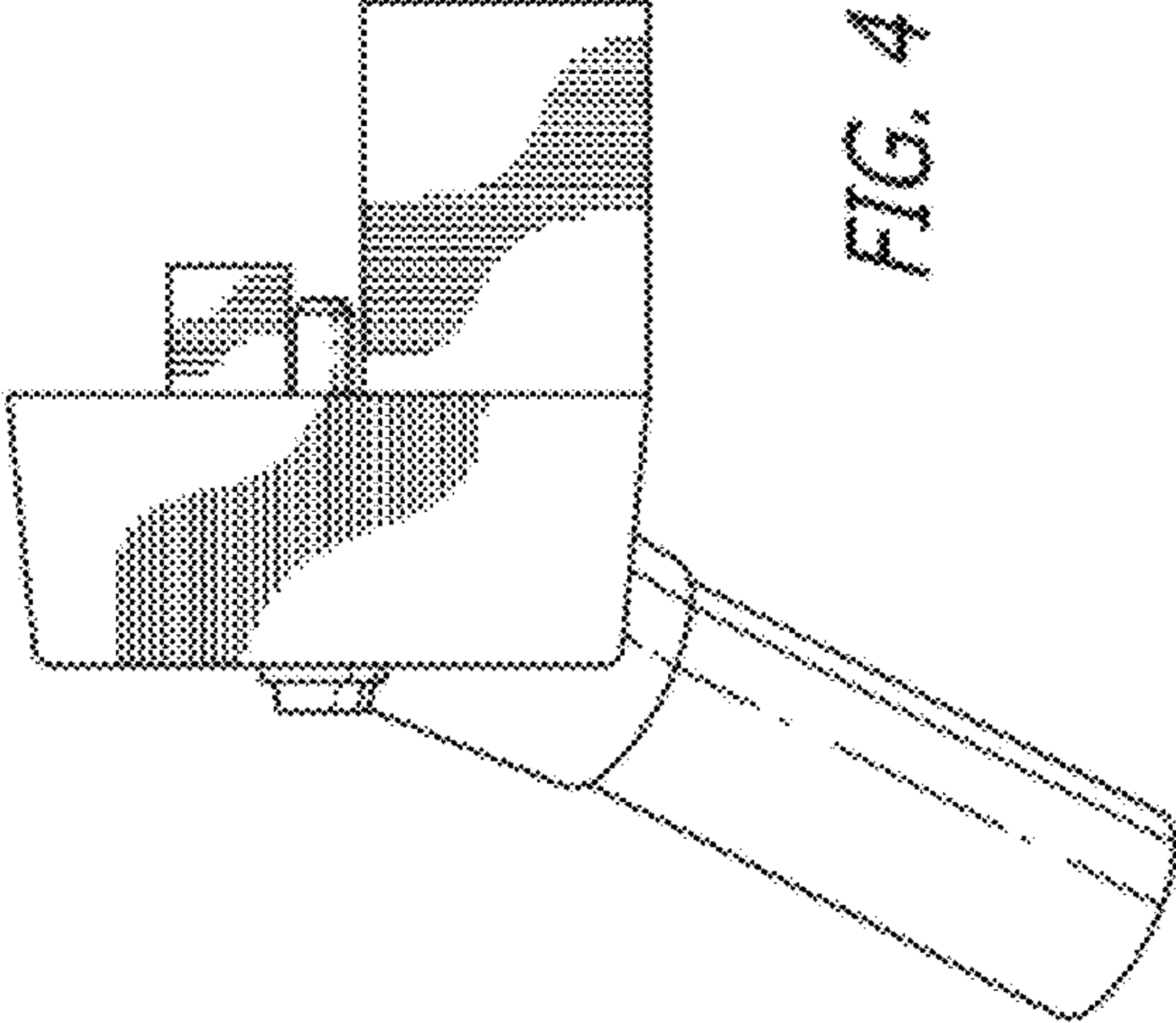
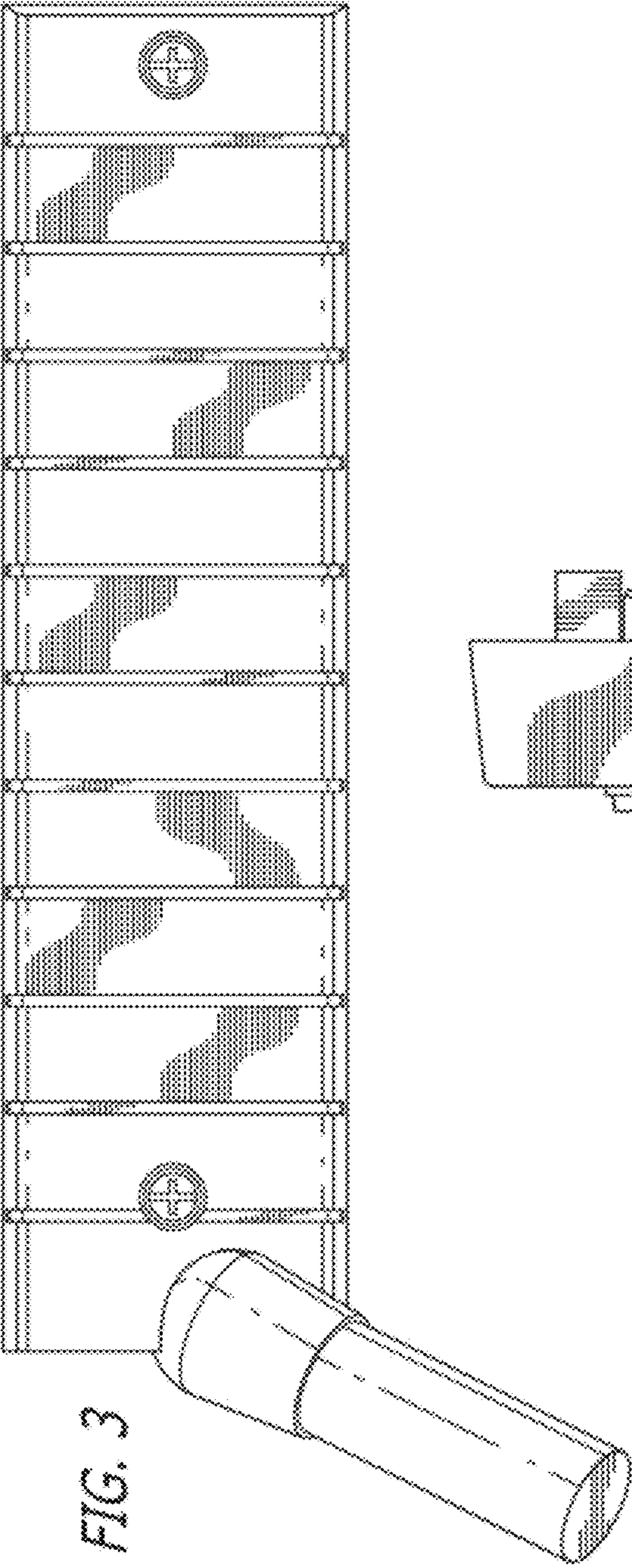


FIG. 3

FIG. 4

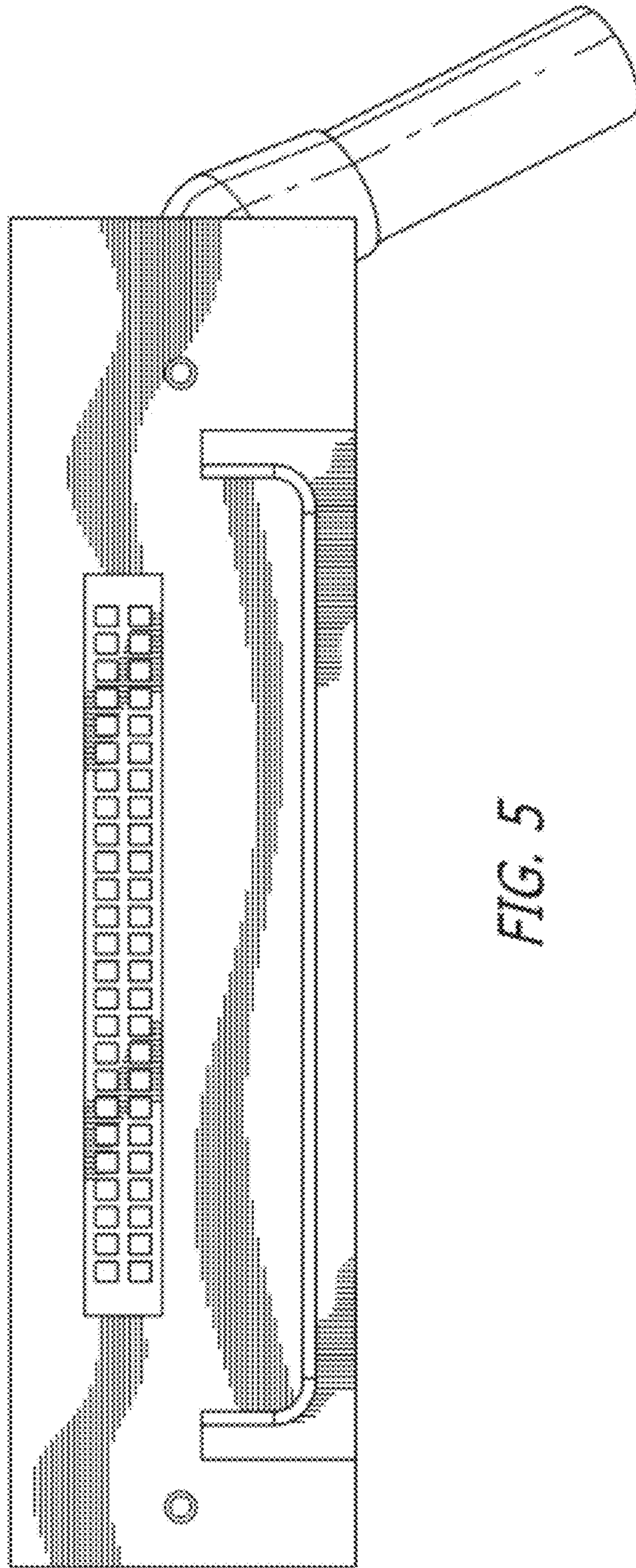


FIG. 5

